



US00D785443S

(12) **United States Design Patent**
Paik et al.

(10) **Patent No.:** **US D785,443 S**

(45) **Date of Patent:** **** May 2, 2017**

(54) **STRING ADJUSTER**

(71) Applicant: **WOJIN PLASTIC CO., LTD.**,
Guri-si, Gyeonggi-do (KR)

(72) Inventors: **Jisook Paik**, Seoul (KR); **Nan Hee Paik**, Seoul (KR); **Ji Hye Paik**, Seoul (KR); **Ji Won Son**, Seoul (KR)

(73) Assignee: **WOJIN PLASTIC CO., LTD.**,
Guri-si, Gyeonggi-Do (KR)

(**) Term: **15 Years**

(21) Appl. No.: **29/551,460**

(22) Filed: **Jan. 13, 2016**

(30) **Foreign Application Priority Data**

Jul. 14, 2015 (KR) 30-2015-0035331

(51) **LOC (10) Cl.** **08-05**

(52) **U.S. Cl.**
USPC **D8/356**

(58) **Field of Classification Search**

USPC D8/356, 354, 349; D13/155

CPC F16L 3/1058; A61M 29/00; A61M 25/02;

A61M 25/0133; A61M 2025/024; A61M

2025/0266; A61M 5/00; A61M 2039/087;

F16G 11/00; H02G 3/00; H02G 3/03;

H02G 3/04; H02G 3/0437; H02G 3/0608

See application file for complete search history.

(56) **References Cited**

U.S. PATENT DOCUMENTS

5,697,128 A * 12/1997 Peregrine F16G 11/14
24/115 G

D742,722 S * 11/2015 Paik D8/356

D745,380 S * 12/2015 Williams D8/394

D763,671 S * 8/2016 Szelove D8/394

D770,563 S * 11/2016 Milone G10D 3/14

D17/20

D770,583 S * 11/2016 Andrews D21/753

D777,567 S * 1/2017 Diener D8/356

2003/0005557 A1 * 1/2003 Renn B65D 63/10

24/115 G

2014/0283339 A1 * 9/2014 Gallagher F16G 11/046

24/115 K

* cited by examiner

Primary Examiner — Cynthia Underwood

(74) *Attorney, Agent, or Firm* — Novick, Kim & Lee,

PLLC; Jae Youn Kim

(57) **CLAIM**

We claim the ornamental design for a string adjuster, as shown and described.

DESCRIPTION

FIG. 1 is a perspective view of a string adjuster, showing my new design;

FIG. 2 is a front elevational view thereof;

FIG. 3 is a rear elevational view thereof;

FIG. 4 is a left side elevational view thereof;

FIG. 5 is a right side elevational view thereof;

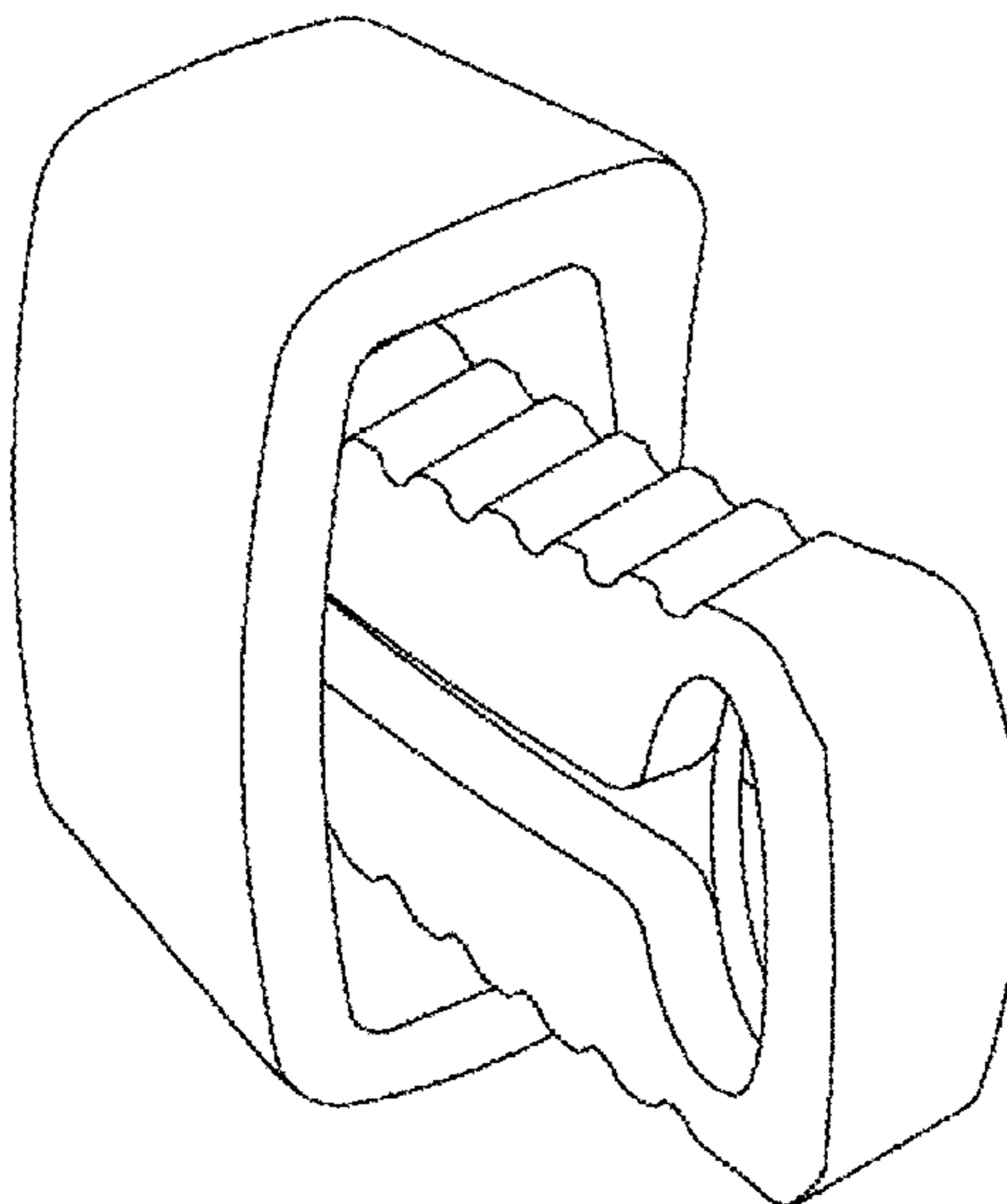
FIG. 6 is a top plan view thereof;

FIG. 7 is a bottom plan view thereof; and,

FIG. 8 is a sectional view thereof along line 8-8 as shown in

FIG. 2.

1 Claim, 4 Drawing Sheets



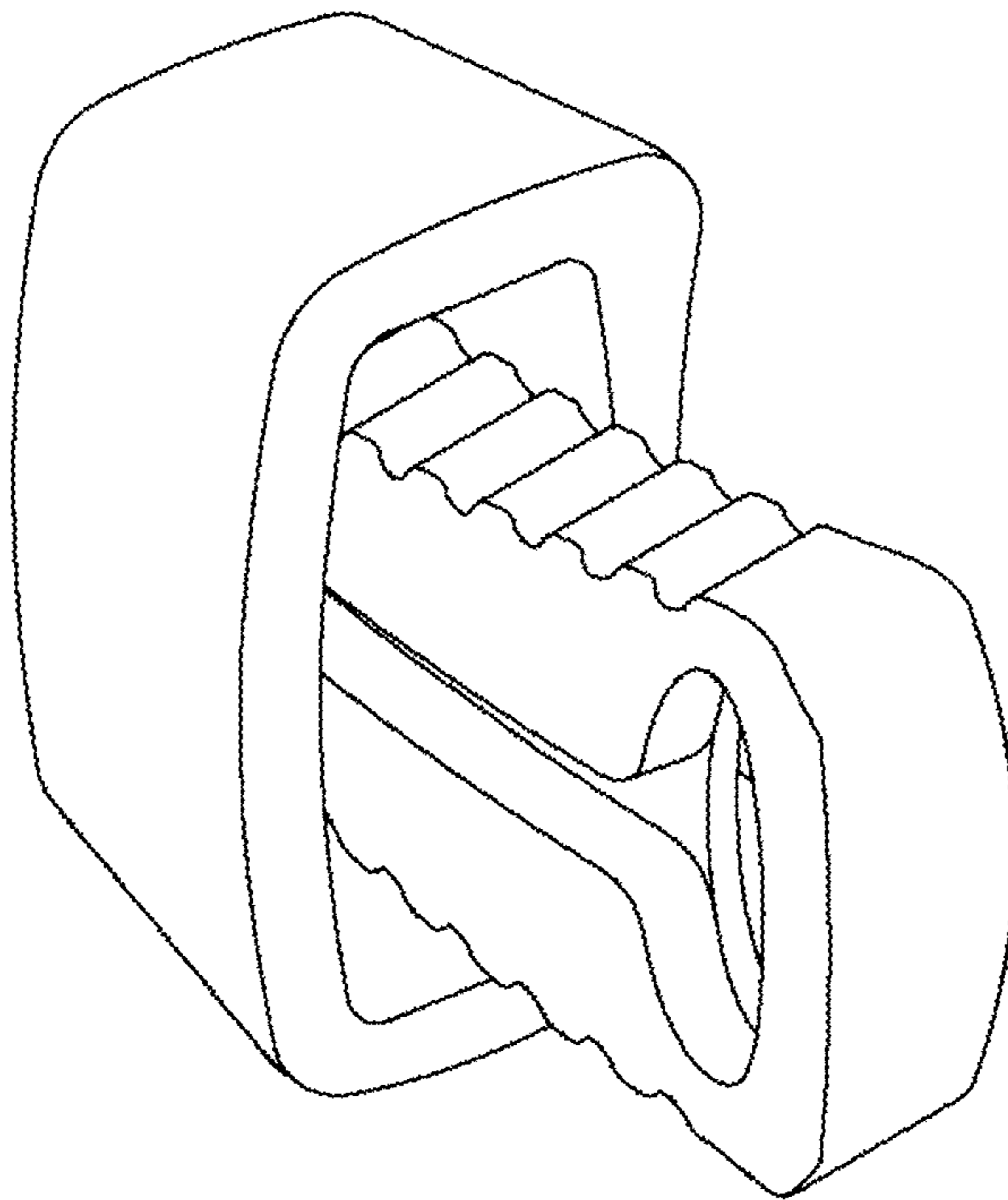


FIG.1

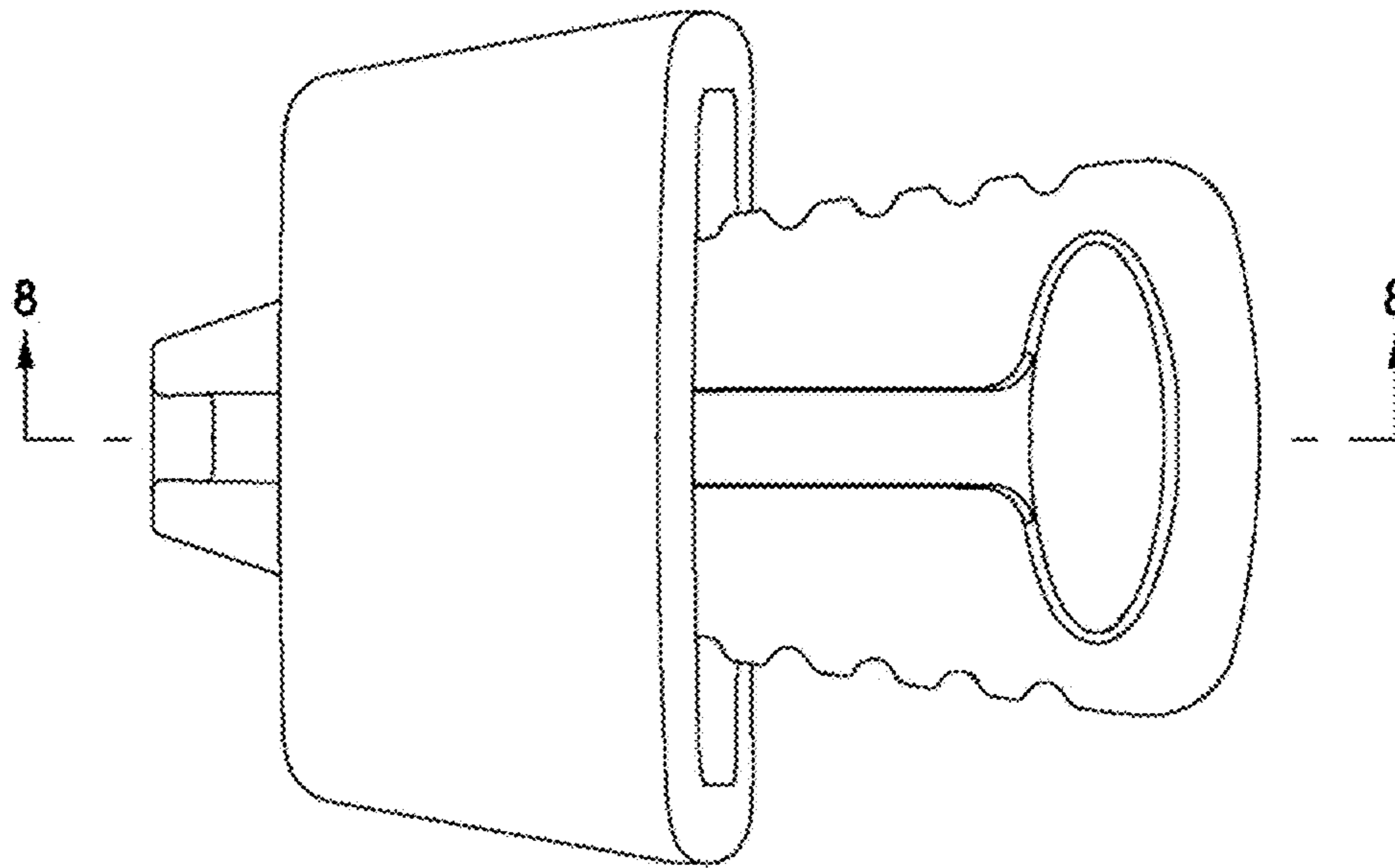


FIG.2

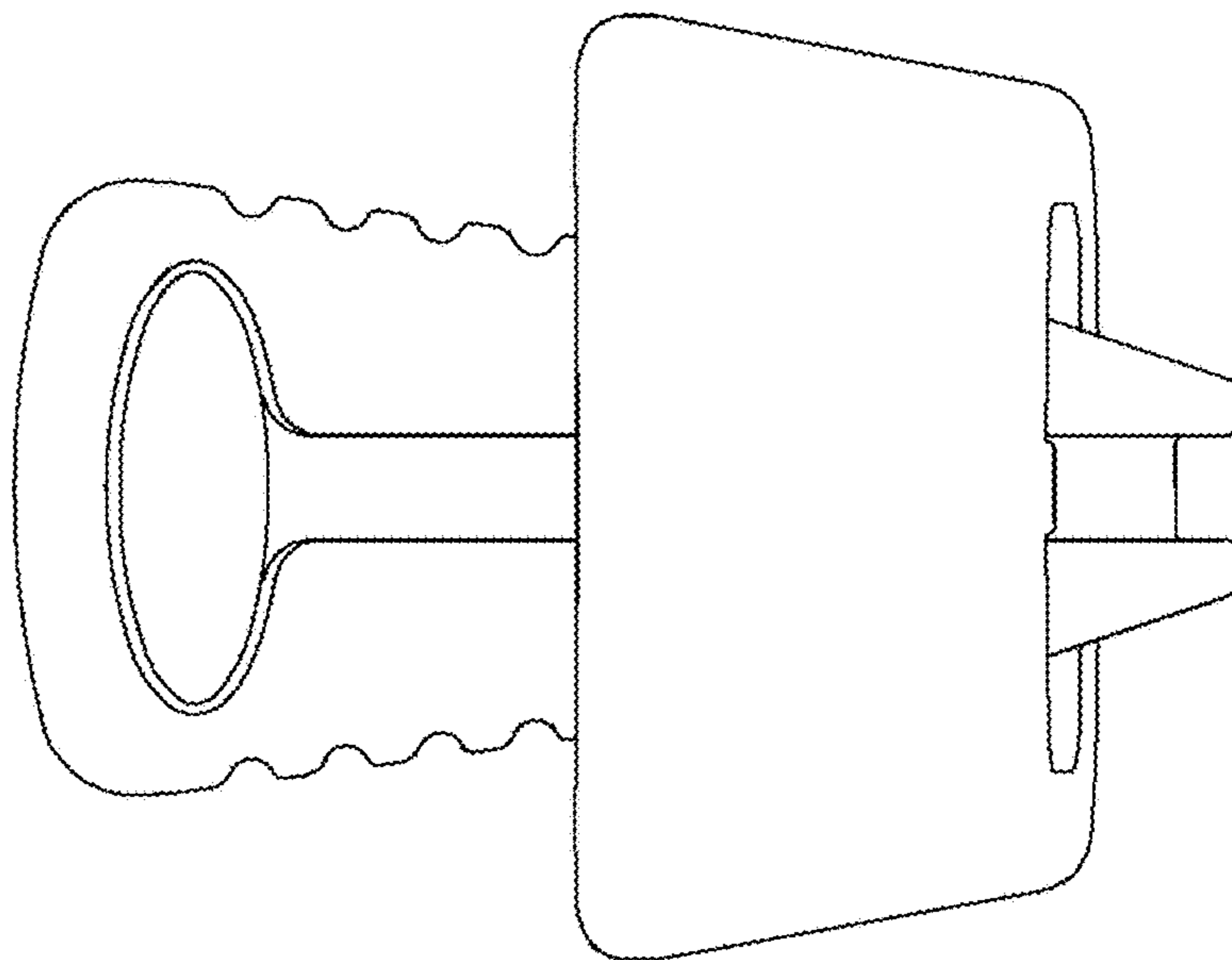


FIG.3

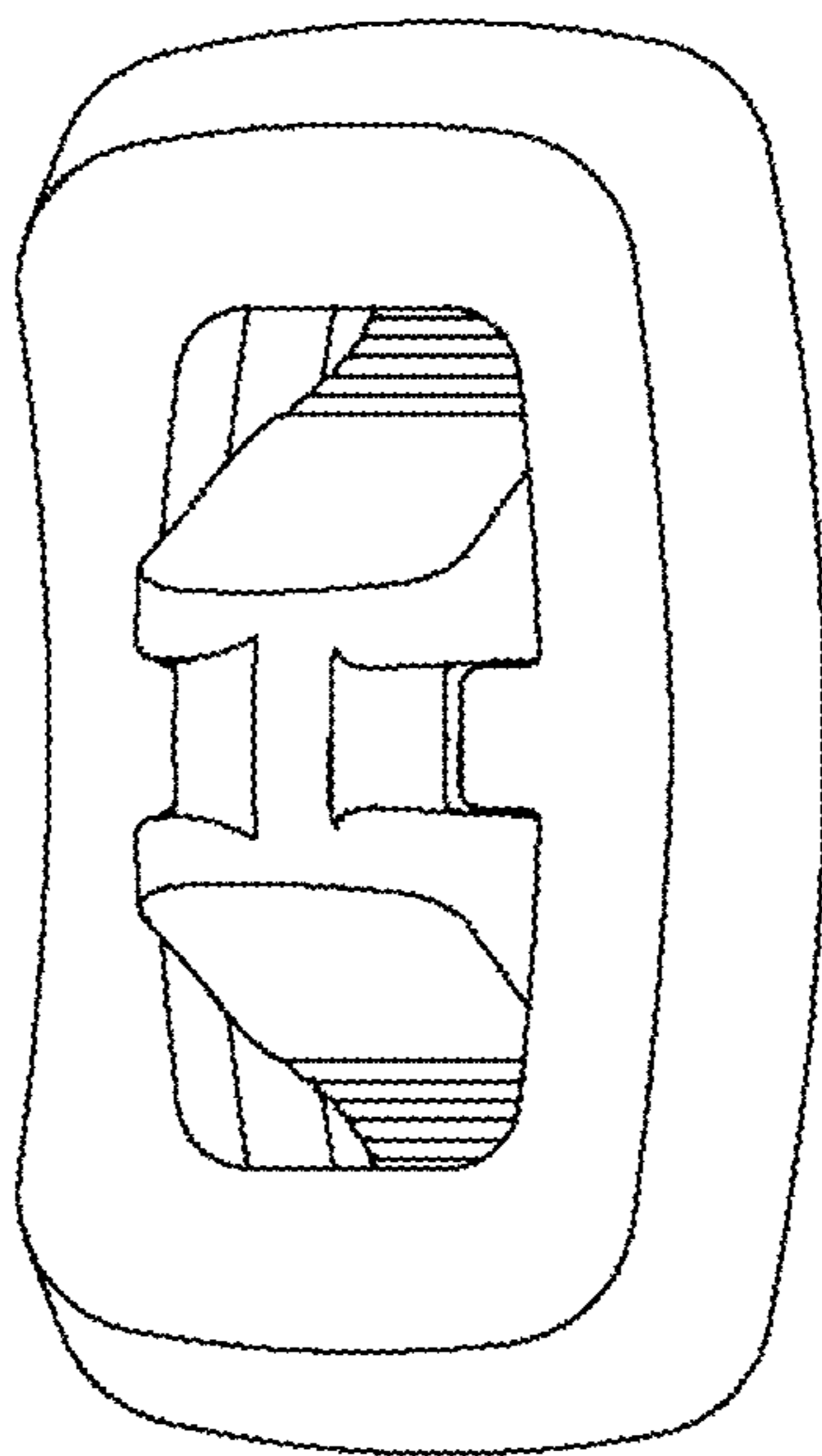


FIG.4

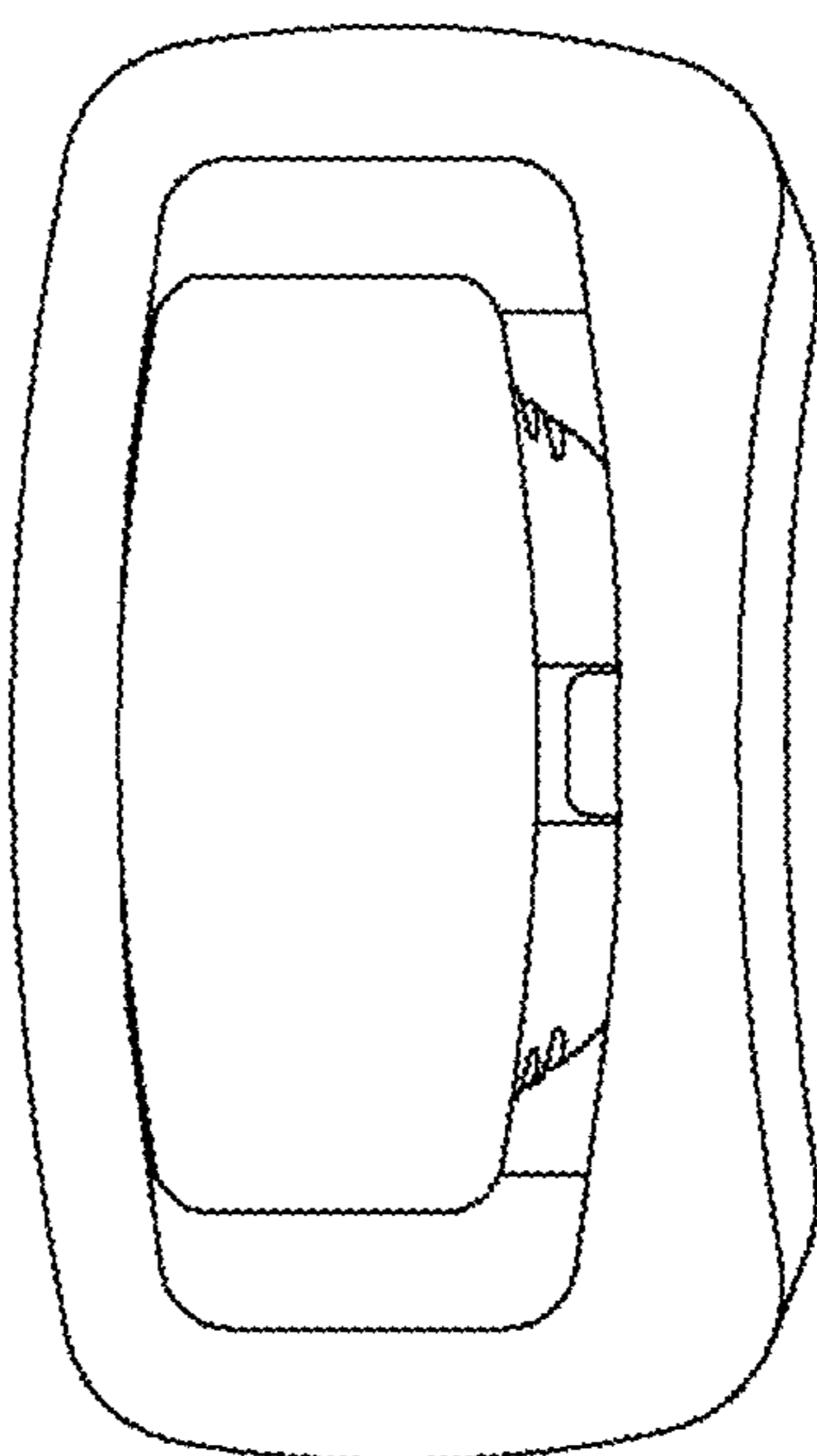


FIG.5

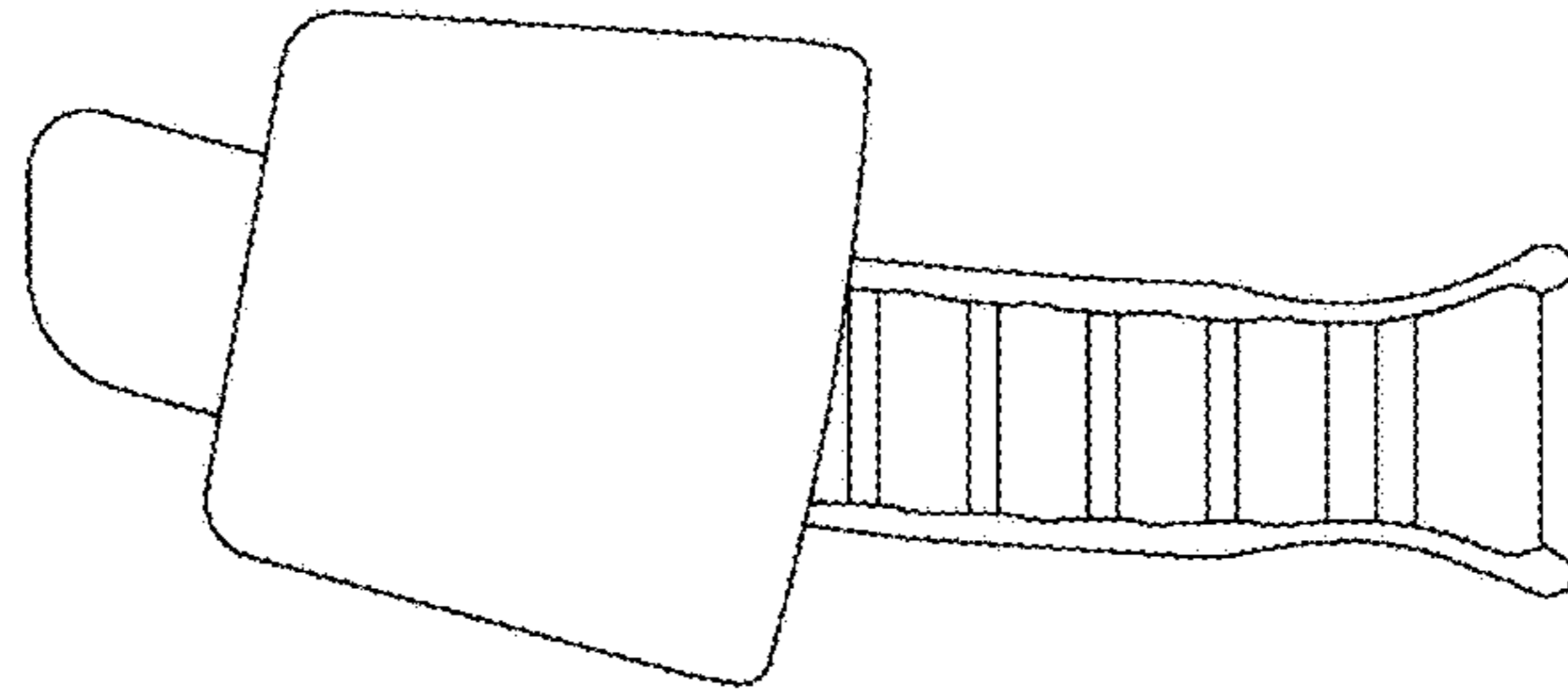


FIG. 6

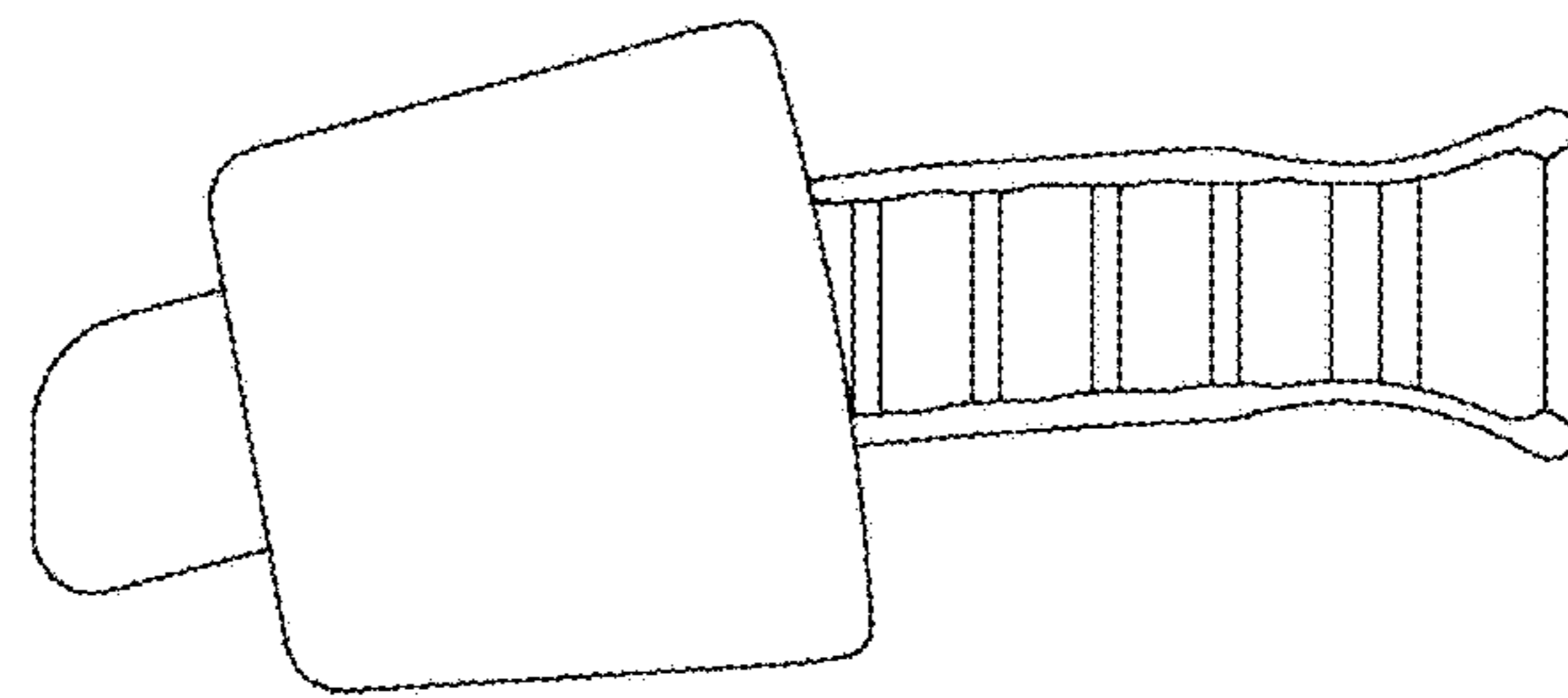


FIG. 7

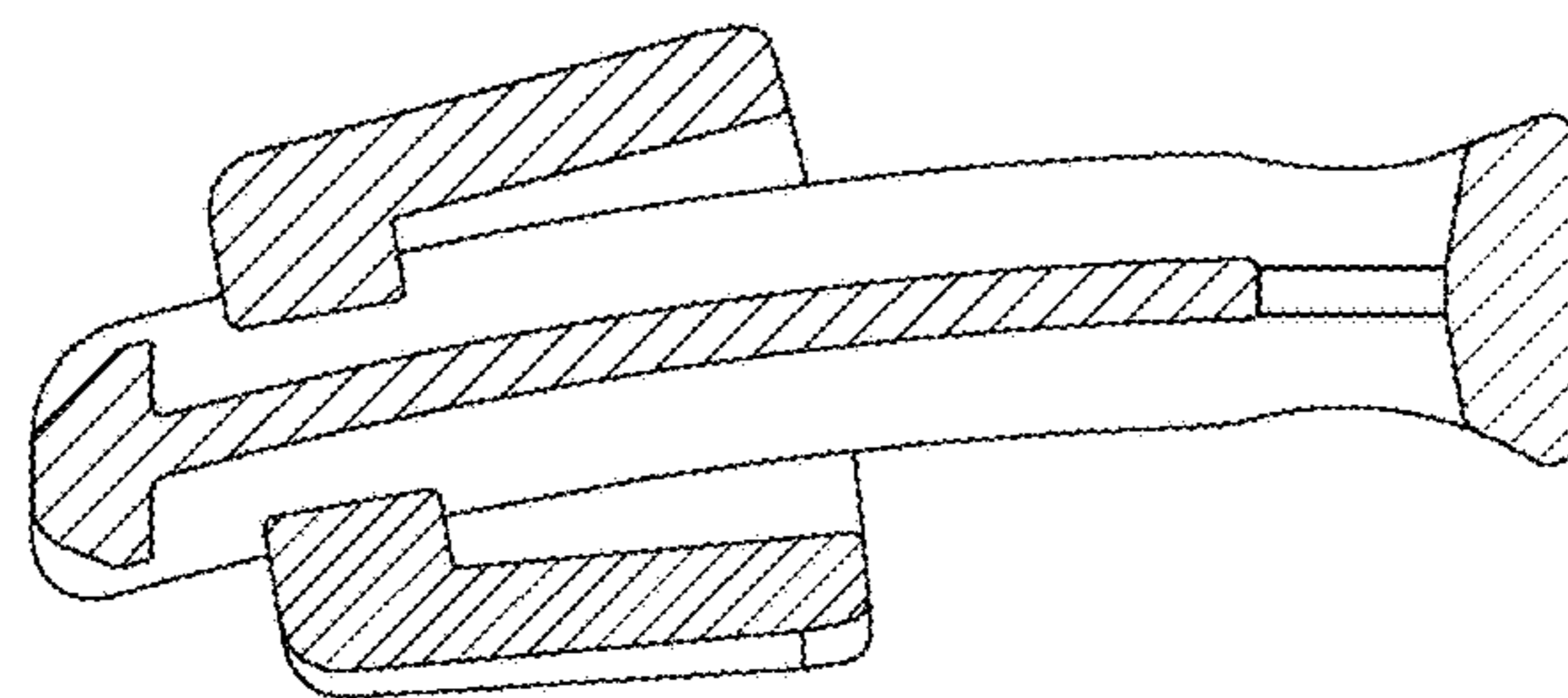


FIG. 8