



US00D785441S

(12) **United States Design Patent**  
**Katsuma**

(10) **Patent No.:** **US D785,441 S**

(45) **Date of Patent:** **\*\* May 2, 2017**

(54) **LOCKING DEVICE ON EXTENSION POLE**

(71) Applicant: **LINZER PRODUCTS CORP.**, West  
Babylon, NY (US)

(72) Inventor: **Takashi Katsuma**, Port Washington,  
NY (US)

(73) Assignee: **LINZER PRODUCTS CORP.**, West  
Babylon, NY (US)

(\*\*) Term: **15 Years**

(21) Appl. No.: **29/563,240**

(22) Filed: **May 3, 2016**

(51) **LOC (10) Cl.** ..... **08-07**

(52) **U.S. Cl.**  
USPC ..... **D8/339; D8/330**

(58) **Field of Classification Search**  
USPC ..... D8/330, 331, 341, 343, 342, 339, 382;  
70/19, 51, 52, 58, 141, 164, 165;  
292/156, 262, 188, 305, 306; 403/83, 85,  
403/326, 109.1, 109.8, 328; 15/144.4,  
15/144.3  
CPC .. F16B 7/00; F16B 7/10; F16B 7/9426; F16B  
7/1427

See application file for complete search history.

(56) **References Cited**

U.S. PATENT DOCUMENTS

- 4,435,105 A \* 3/1984 Rampley ..... F16B 7/1454  
403/109.5
- 5,220,707 A \* 6/1993 Newman, Sr. .... B05C 17/0205  
15/144.4
- D354,554 S \* 1/1995 Newman, Sr. .... D23/266
- 5,417,511 A \* 5/1995 Warden ..... F16B 7/1427  
403/109.5
- 5,549,407 A \* 8/1996 Levi ..... F16B 7/1427  
403/109.5
- 5,694,695 A \* 12/1997 Lund ..... B25G 1/04  
15/144.4

5,924,658 A \* 7/1999 Shiery ..... A61M 5/1415  
248/125.8

6,142,698 A \* 11/2000 Nutter ..... F16B 7/0426  
403/104

6,142,699 A 11/2000 Pao  
D452,777 S \* 1/2002 Newman ..... D4/138

(Continued)

*Primary Examiner* — Prabhakar G Deshmukh

(74) *Attorney, Agent, or Firm* — Donald J. Ranft; Collen  
IP

(57) **CLAIM**

The ornamental design for a locking device on extension  
pole, as shown and described.

**DESCRIPTION**

FIG. 1 is a right perspective view of a locking device on  
extension pole showing my new design, shown separately  
without extension pole for clarity;

FIG. 2 is a rear left perspective view thereof;

FIG. 3 is a top view thereof;

FIG. 4 is a bottom view thereof;

FIG. 5 is a left side view thereof;

FIG. 6 is a right side view thereof;

FIG. 7 is a front view thereof;

FIG. 8 is a rear view thereof.

FIG. 9 is a left perspective view of a locking device on  
extension pole, shown along with extension pole;

FIG. 10 is a rear right perspective view thereof;

FIG. 11 is a top view thereof;

FIG. 12 is a bottom view thereof;

FIG. 13 is a left side view thereof;

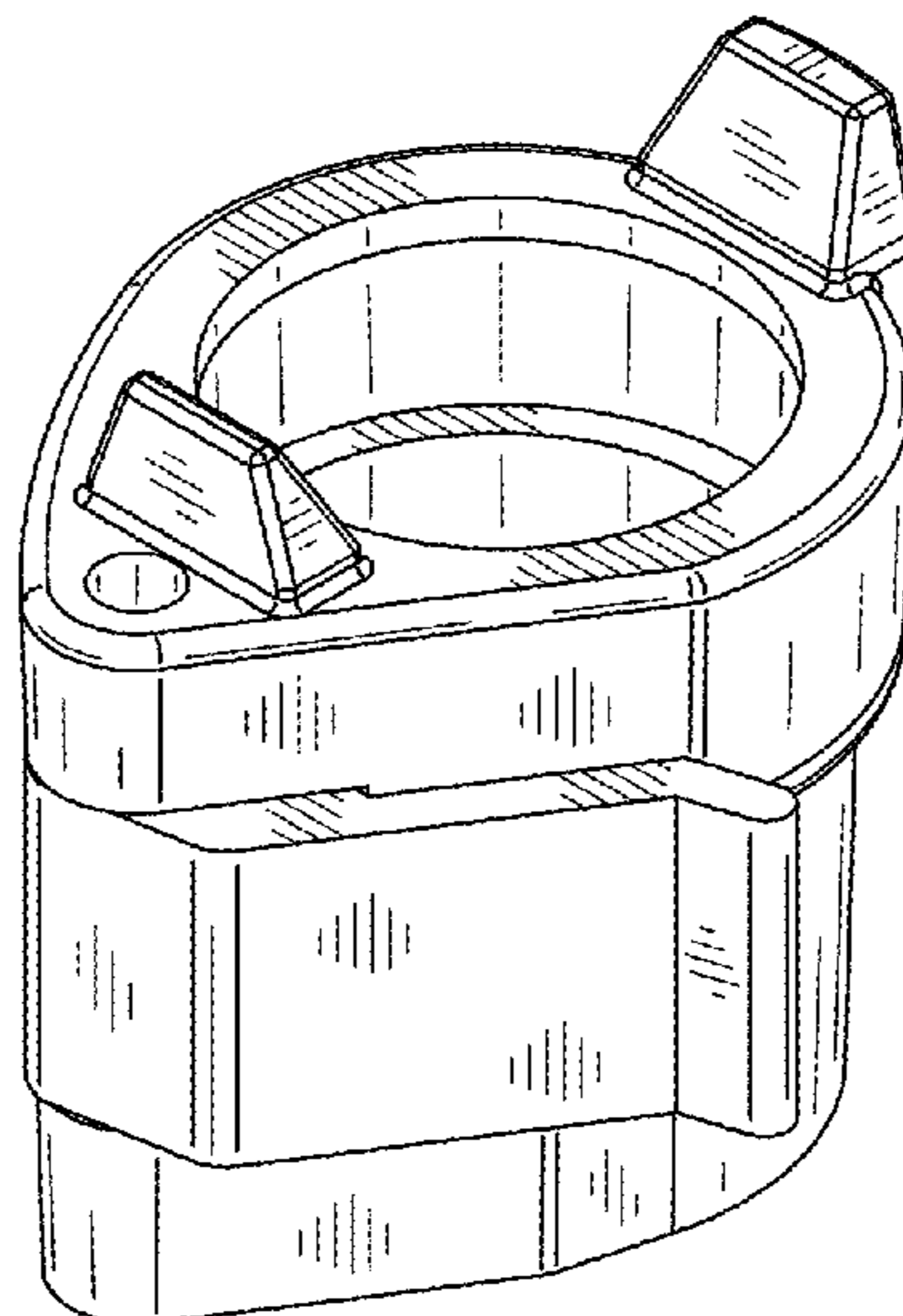
FIG. 14 is a right side view thereof;

FIG. 15 is a front view thereof; and,

FIG. 16 is a rear view thereof.

The broken lines in FIGS. 9-16 indicate undetermined  
length of extension pole and form no part of the claimed  
design. FIGS. 1-8 and 11-12 are shown in enlarged scale for  
more clarity.

**1 Claim, 8 Drawing Sheets**



(56)

**References Cited**

U.S. PATENT DOCUMENTS

6,749,227 B2 \* 6/2004 Margid ..... A63C 11/221  
135/75  
6,908,249 B2 \* 6/2005 Tomm ..... B25G 1/04  
403/109.1  
7,066,676 B2 6/2006 Tsai  
D538,133 S \* 3/2007 Richardson ..... D8/339  
D649,862 S \* 12/2011 Arvinte ..... D8/339

\* cited by examiner

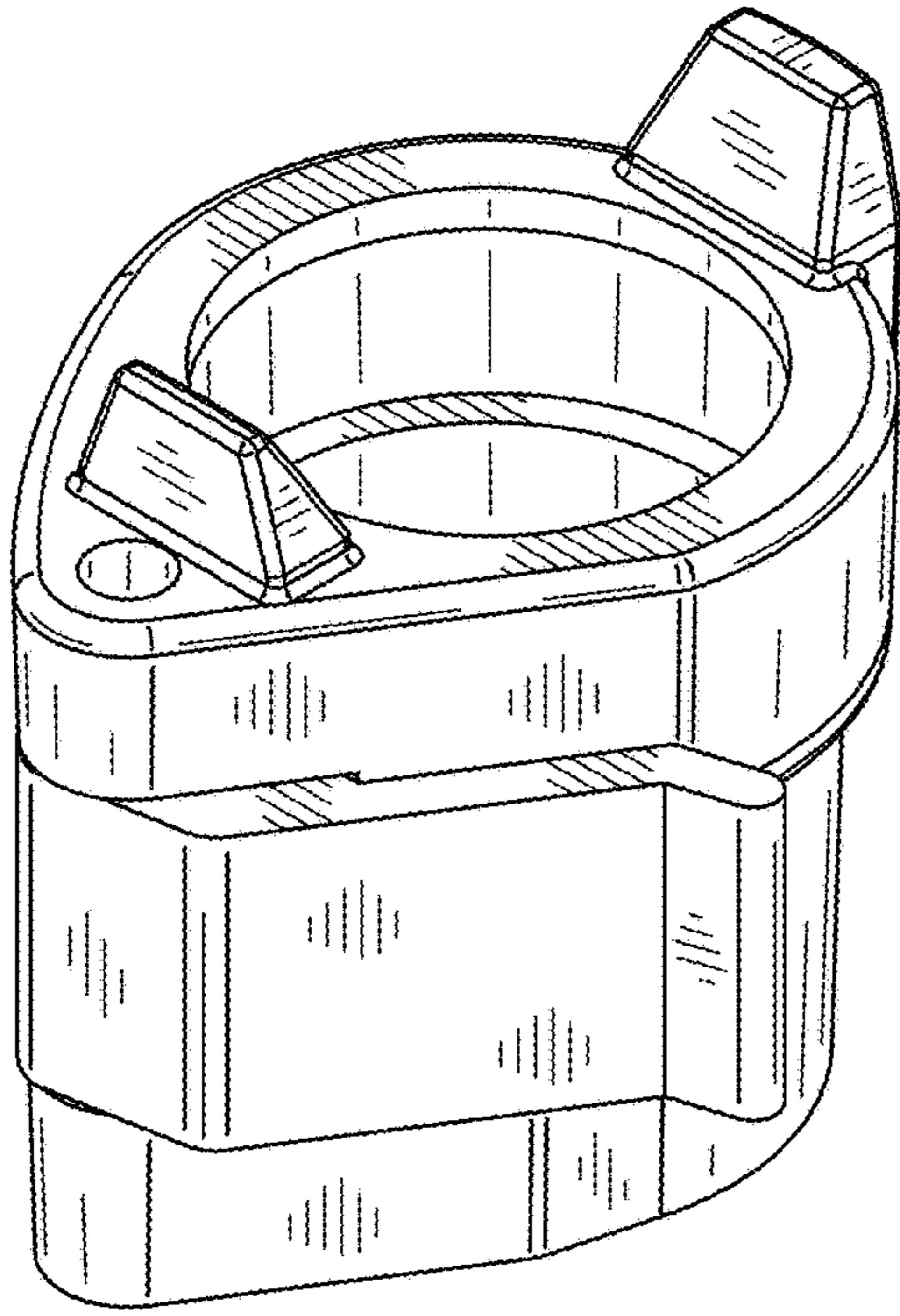


FIG. 1

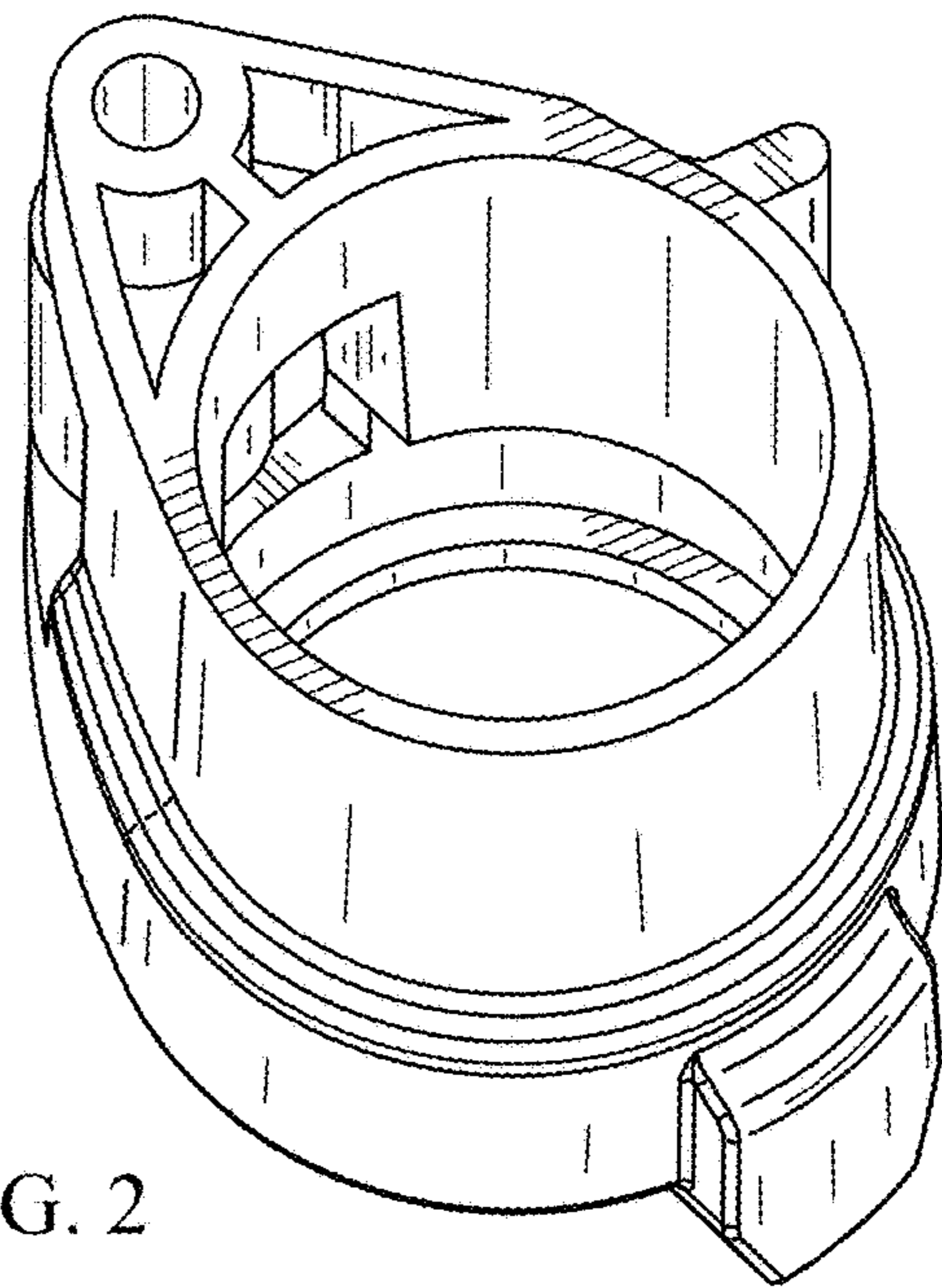


FIG. 2

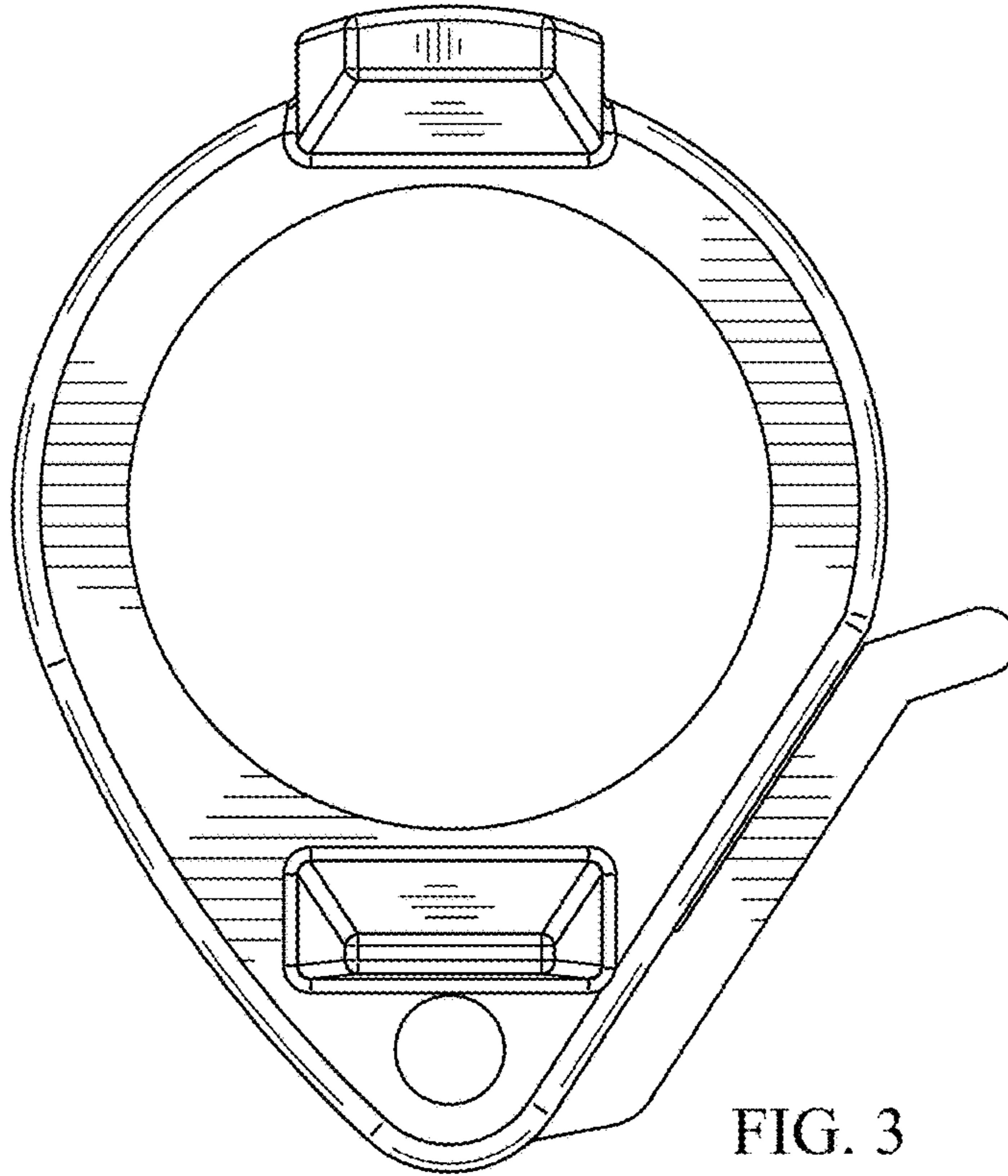


FIG. 3

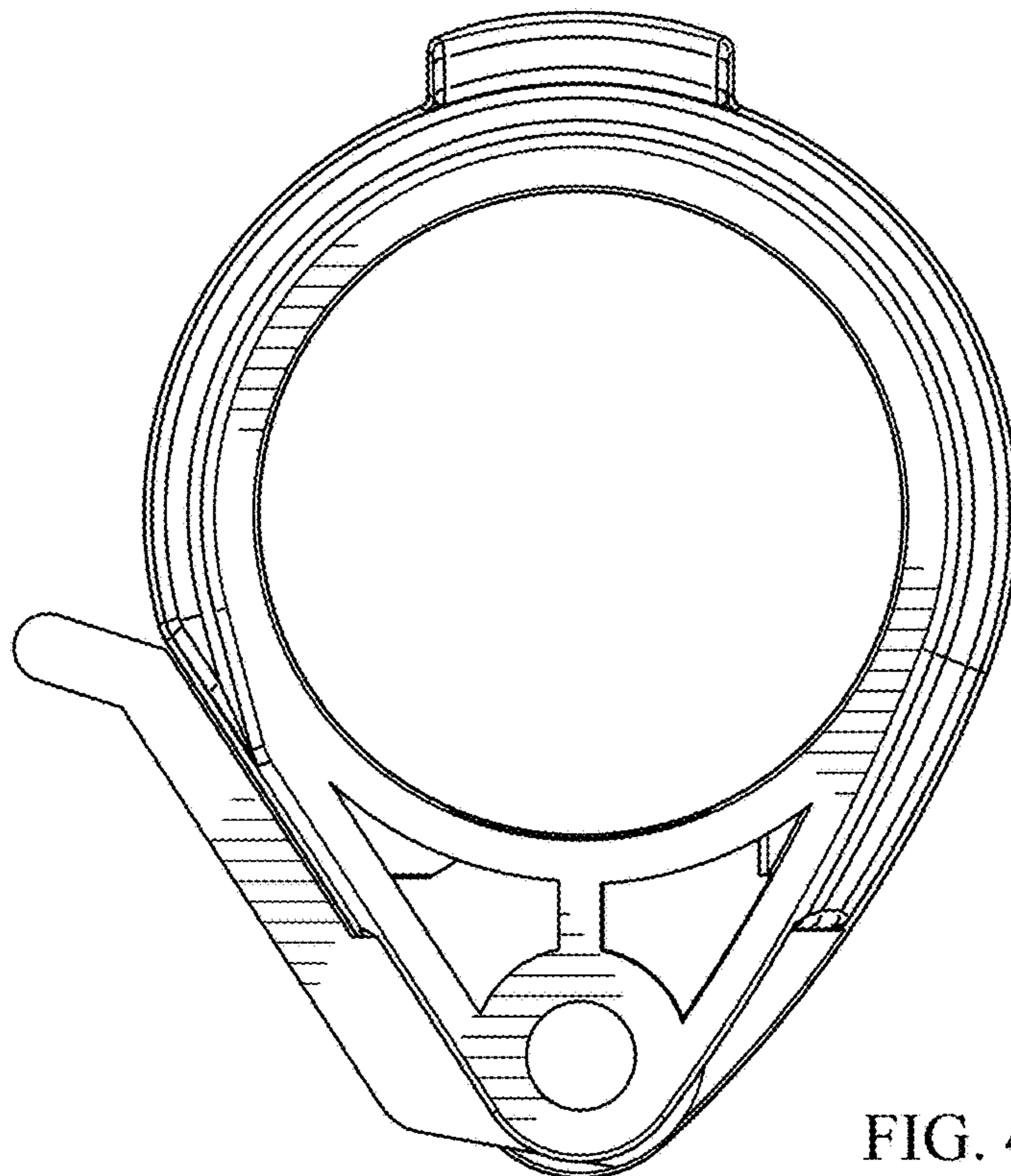


FIG. 4

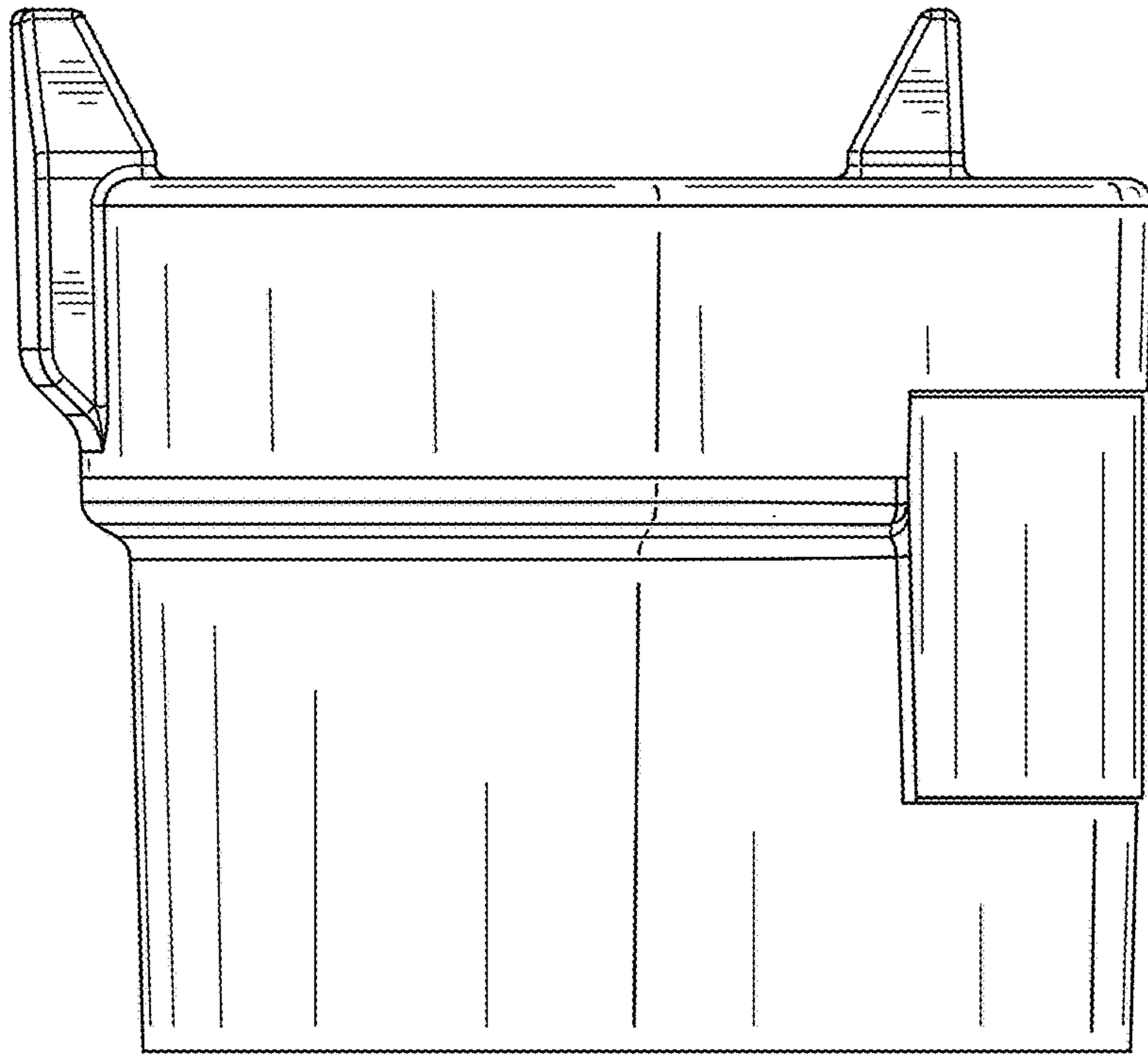


FIG. 5

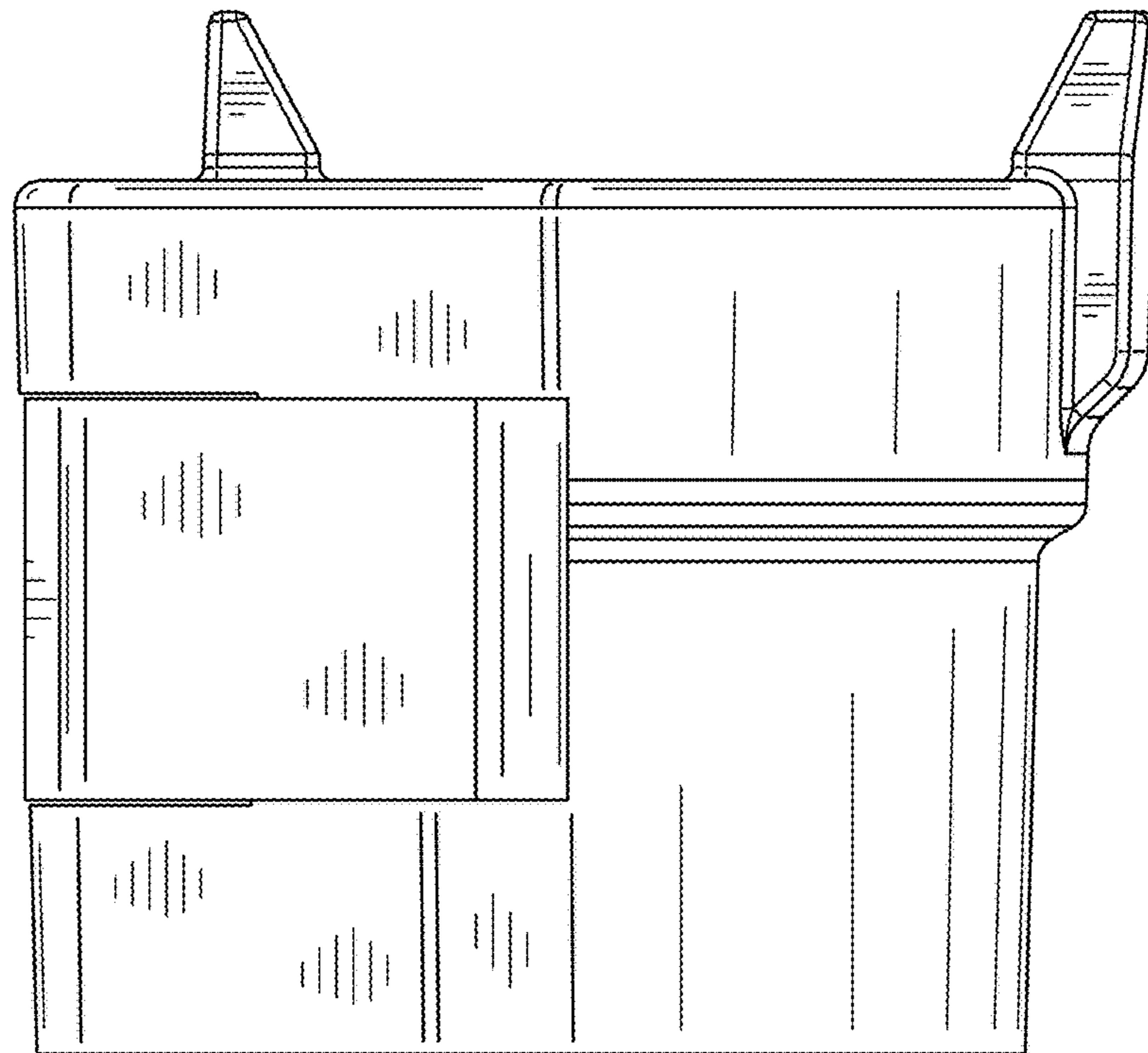


FIG. 6

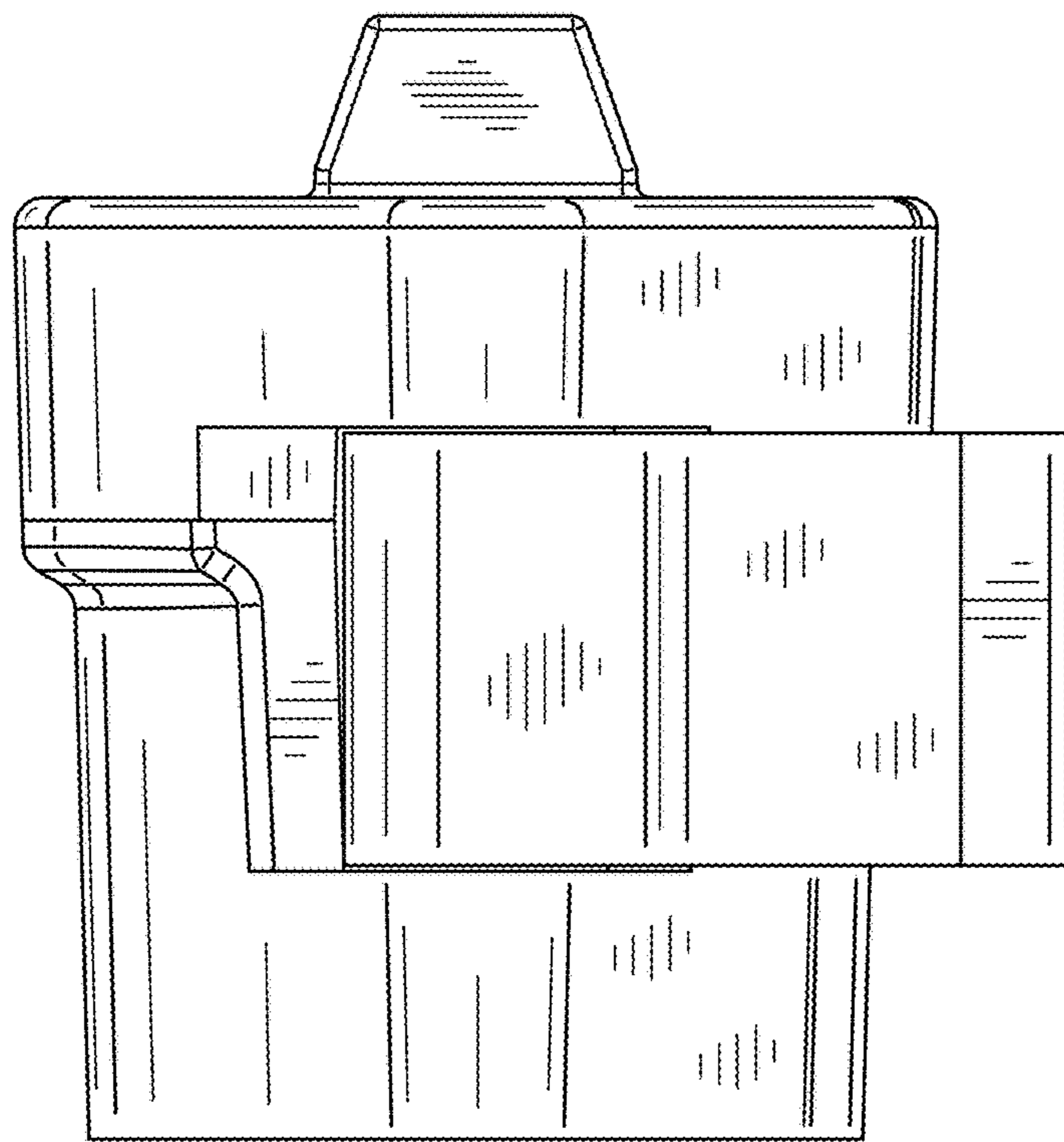


FIG. 7

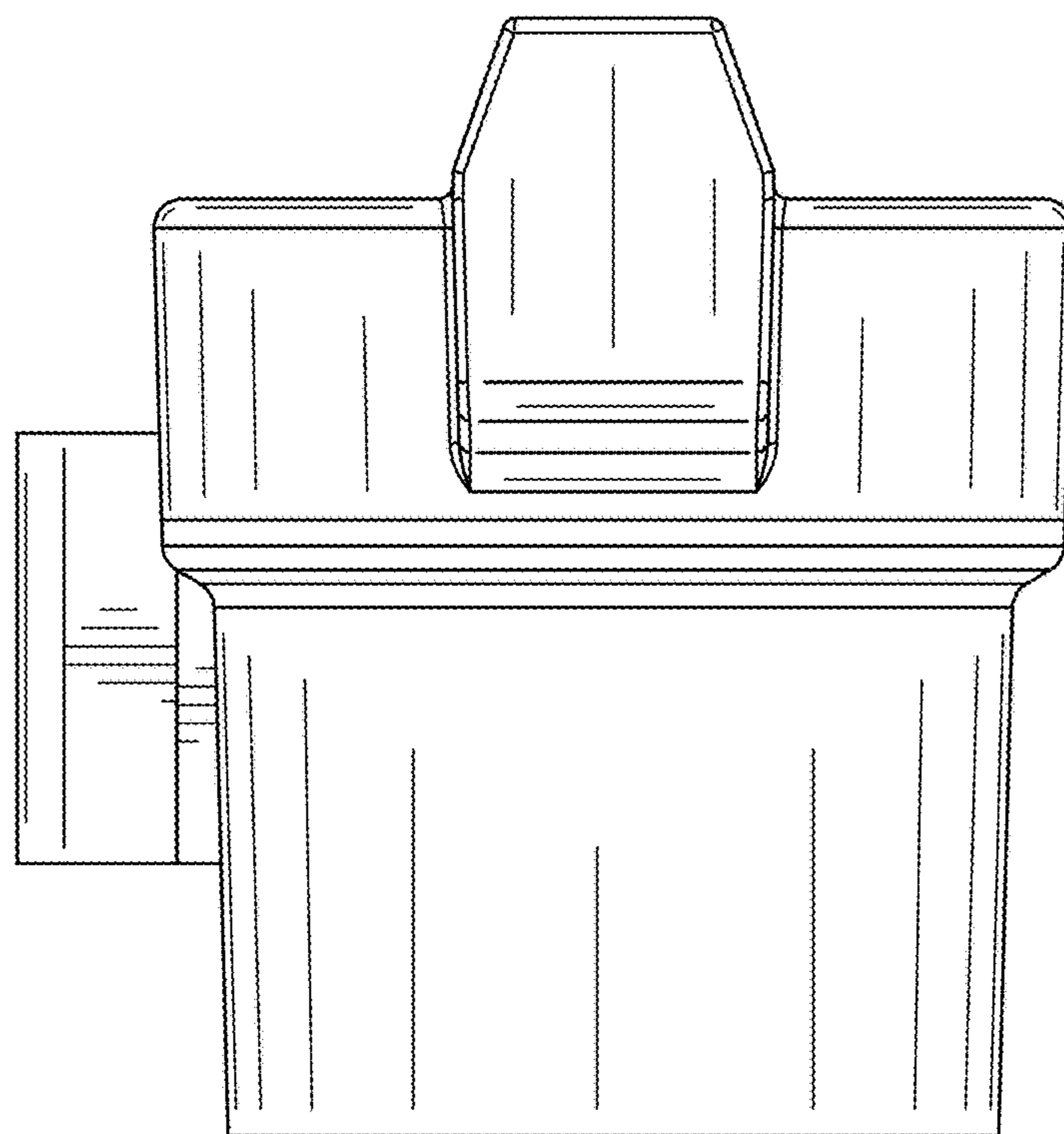


FIG. 8

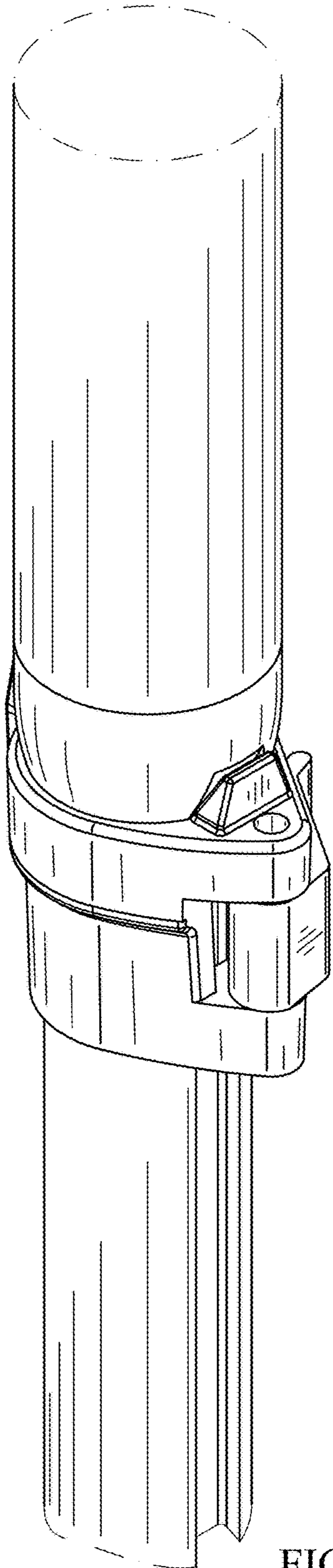


FIG. 9

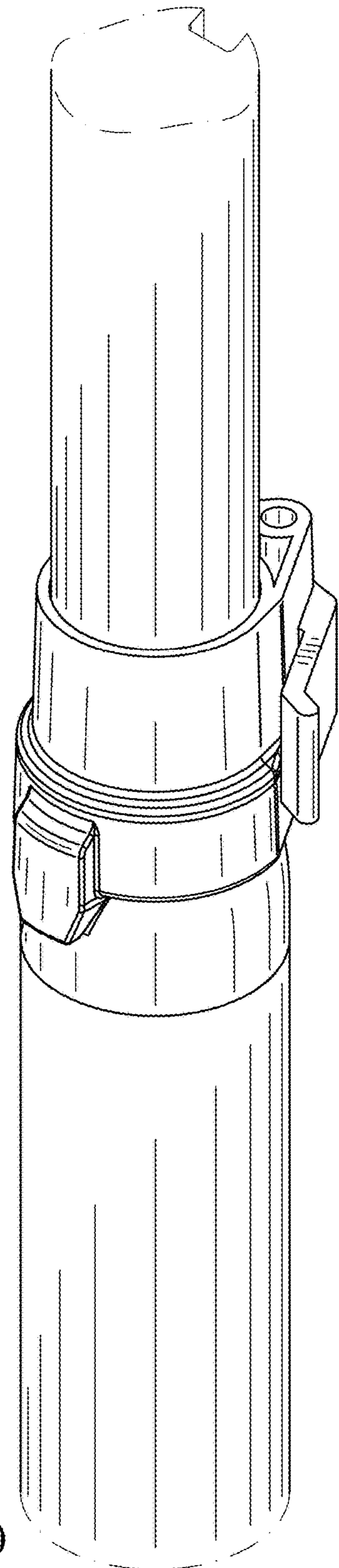


FIG. 10

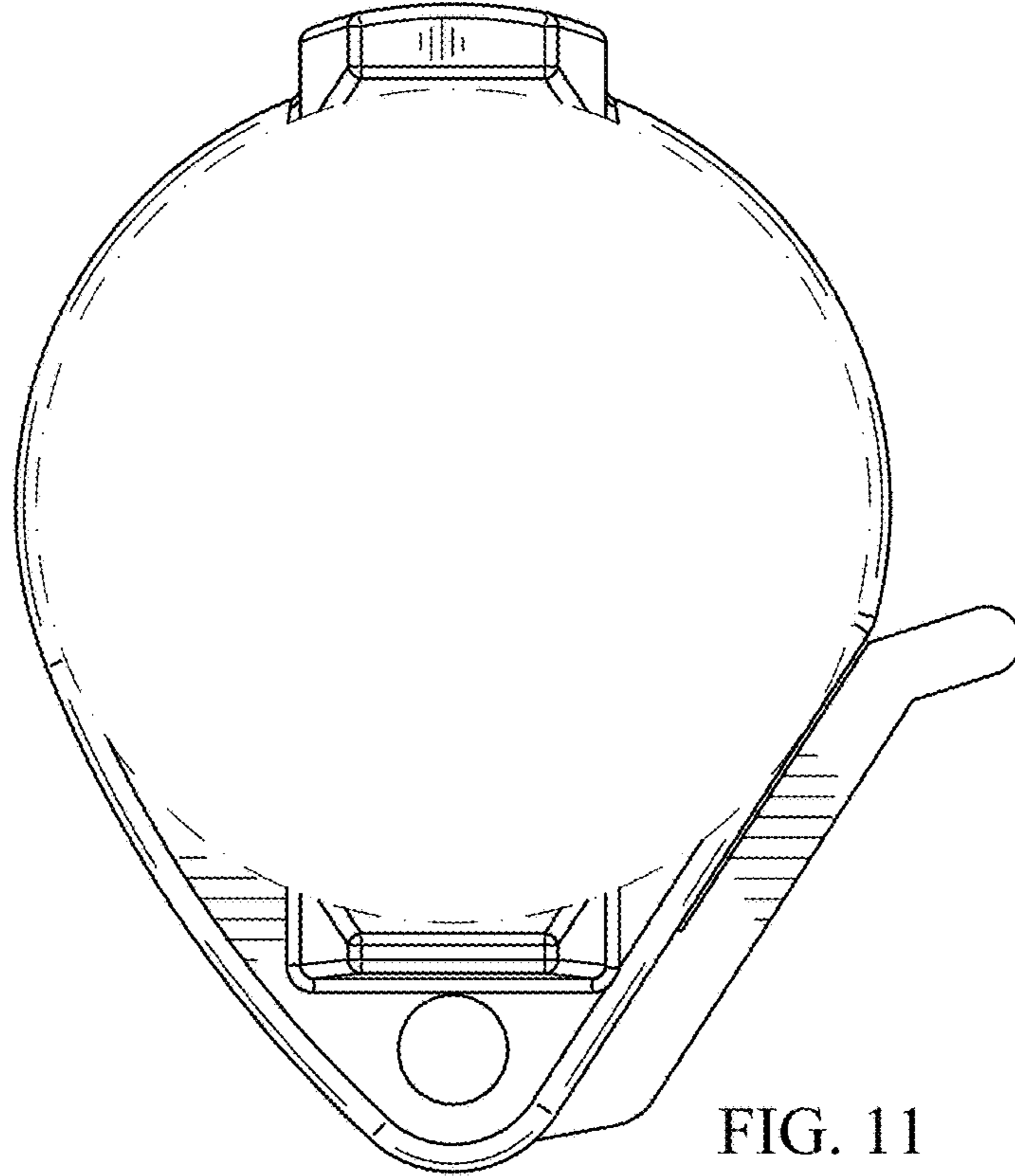


FIG. 11

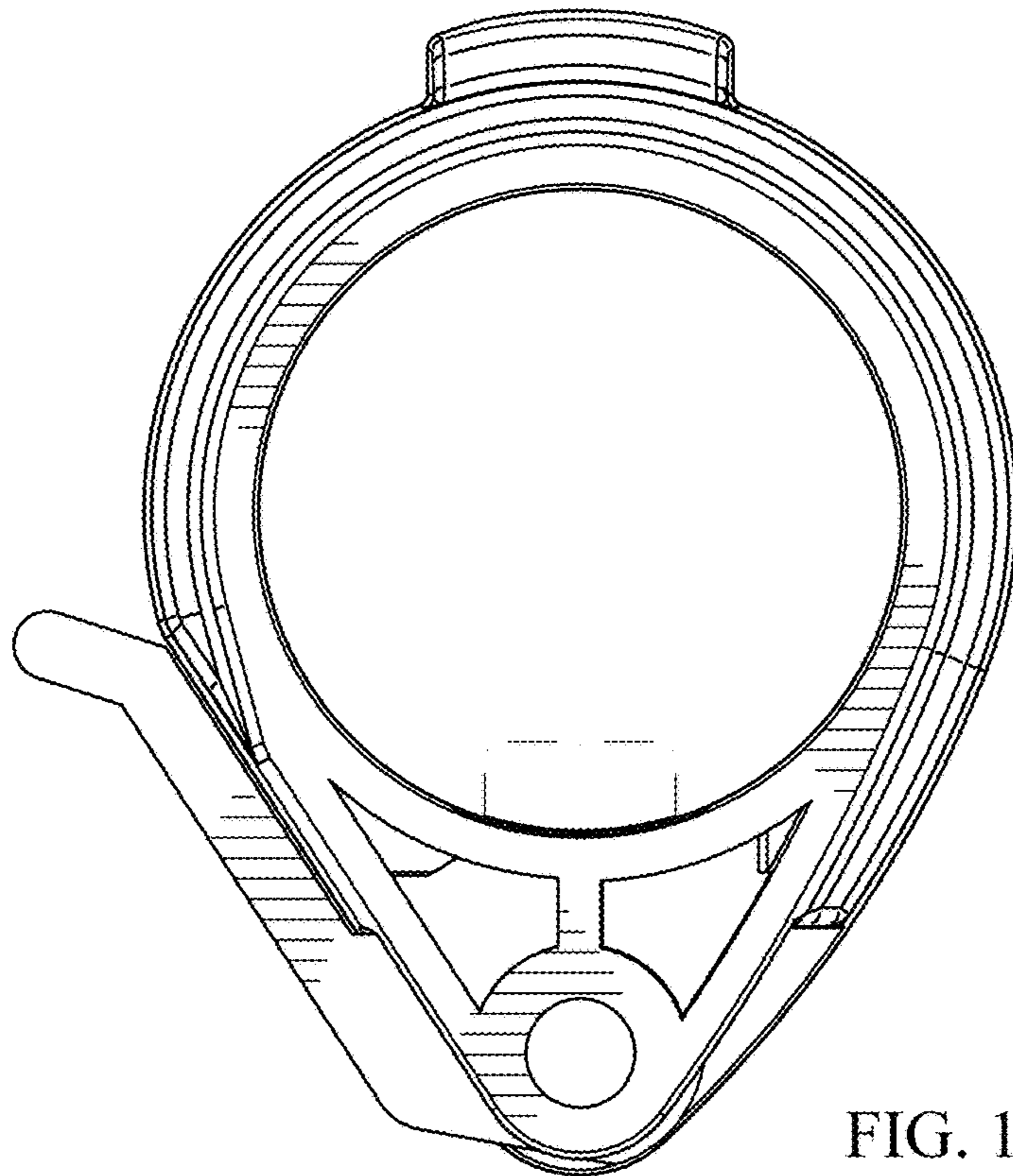


FIG. 12



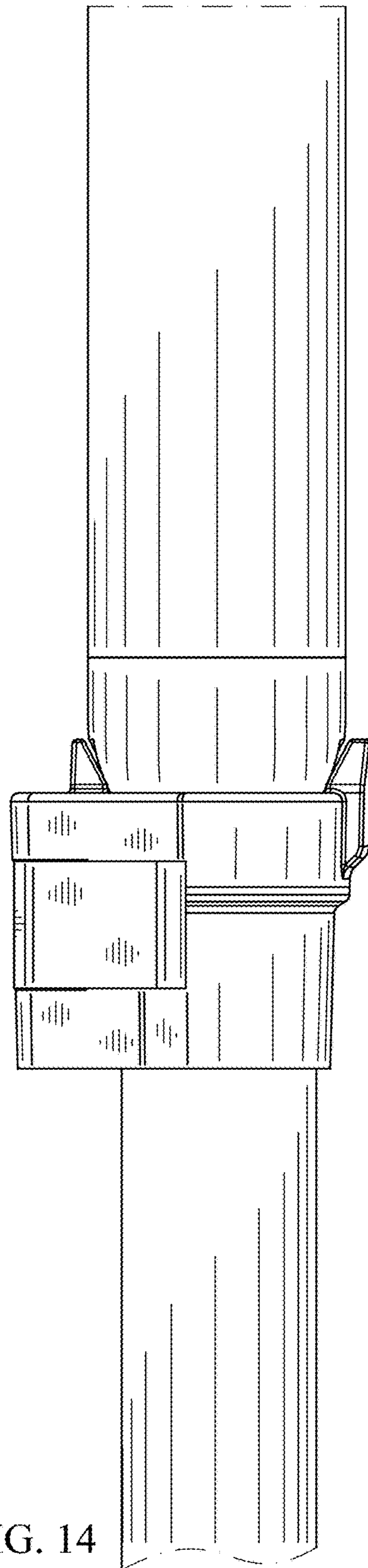
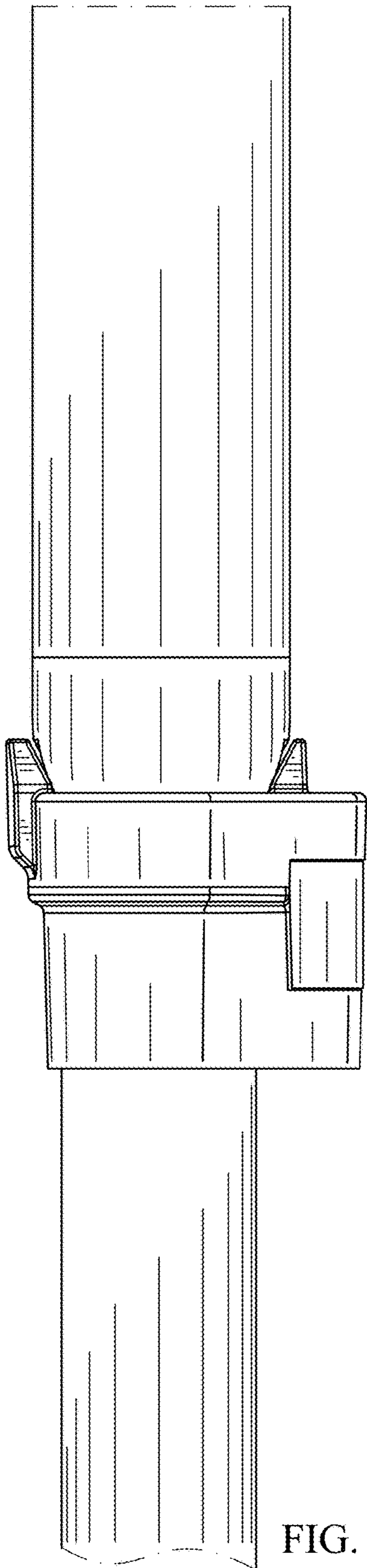


FIG. 13

FIG. 14

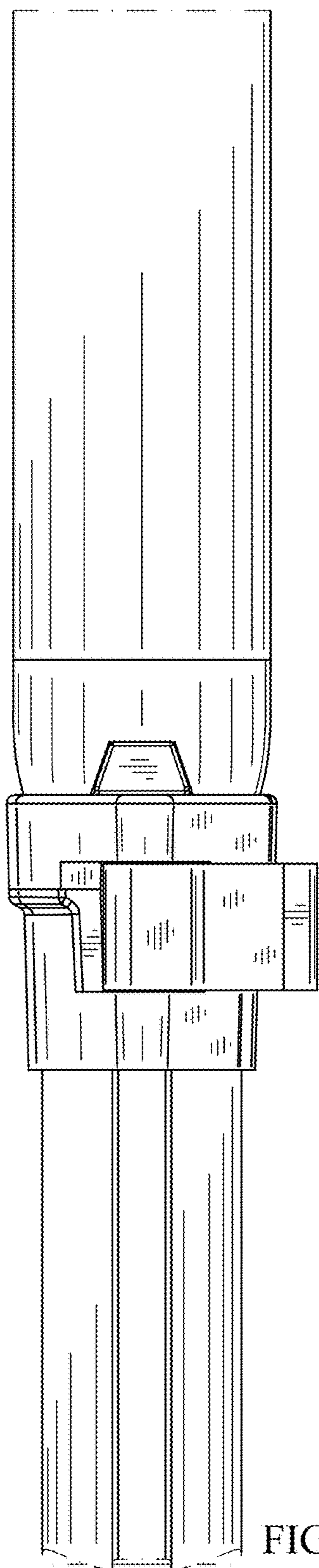


FIG. 15

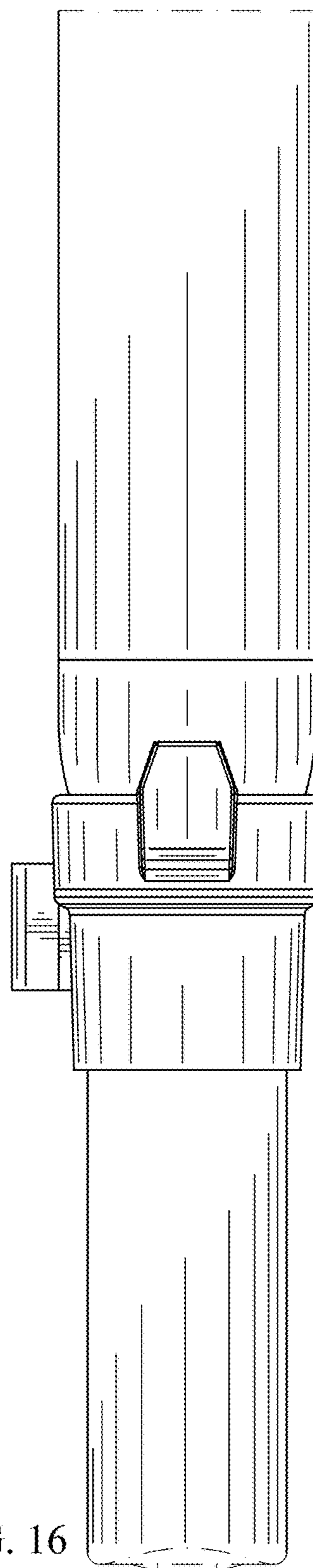


FIG. 16