



US00D785440S

(12) **United States Design Patent**
Marsden

(10) **Patent No.:** **US D785,440 S**

(45) **Date of Patent:** **** May 2, 2017**

(54) **CABINET LOCK**

(71) Applicant: **Elbee Pty Ltd.**, Bondi Junction (AU)

(72) Inventor: **Andrew Marsden**, Hingham, MA (US)

(73) Assignee: **Elbee Pty Ltd.**, Bondi Junction (AU)

(**) Term: **15 Years**

(21) Appl. No.: **29/563,142**

(22) Filed: **May 2, 2016**

(51) **LOC (10) Cl.** **08-07**

(52) **U.S. Cl.**

USPC **D8/339**; D8/331; D8/343

(58) **Field of Classification Search**

USPC D8/330, 331, 339-342, 349, 367, 400;
70/14, 19, 57, 57.1, 58, 51, 52, 199, 237,
70/240, 431, 288, 94, 99, 175, 177, 209,
70/225, 226, 70-84; 292/92, 339, 259 R,
292/259 A, 57, 262, 273, 305, 306,
292/DIG. 47; 49/57, 61, 62, 303,
49/463-466

CPC E05B 73/00

See application file for complete search history.

(56) **References Cited**

U.S. PATENT DOCUMENTS

D239,079 S	3/1976	Saito	
D244,174 S	5/1977	Sankey	
D313,161 S *	12/1990	Westphal	D8/307
5,088,158 A *	2/1992	Burkholder	E05B 75/00
			128/879
5,557,956 A *	9/1996	Merz	B60R 25/0225
			70/209
D396,627 S	8/1998	Blad	
5,794,461 A *	8/1998	Smith	B65D 63/1072
			292/318
D499,953 S *	12/2004	Haggard	D8/343
7,687,701 B1 *	3/2010	Kushner	G10G 7/005
			206/314

7,784,313 B2 *	8/2010	Wyers	E05B 67/003
			70/14
8,402,798 B2 *	3/2013	Brojanac	E05B 67/383
			137/385
D719,436 S *	12/2014	Roggero	D8/330
D766,068 S *	9/2016	Marsden	D8/331
D769,101 S *	10/2016	Zemel	D8/321

(Continued)

OTHER PUBLICATIONS

[No Author Listed] Dreambaby® Sliding Lock, publicly disclosed prior to May 2, 2016. 1 page.

(Continued)

Primary Examiner — Prabhakar Deshmukh

(74) *Attorney, Agent, or Firm* — Wolf, Greenfield & Sacks, P.C.

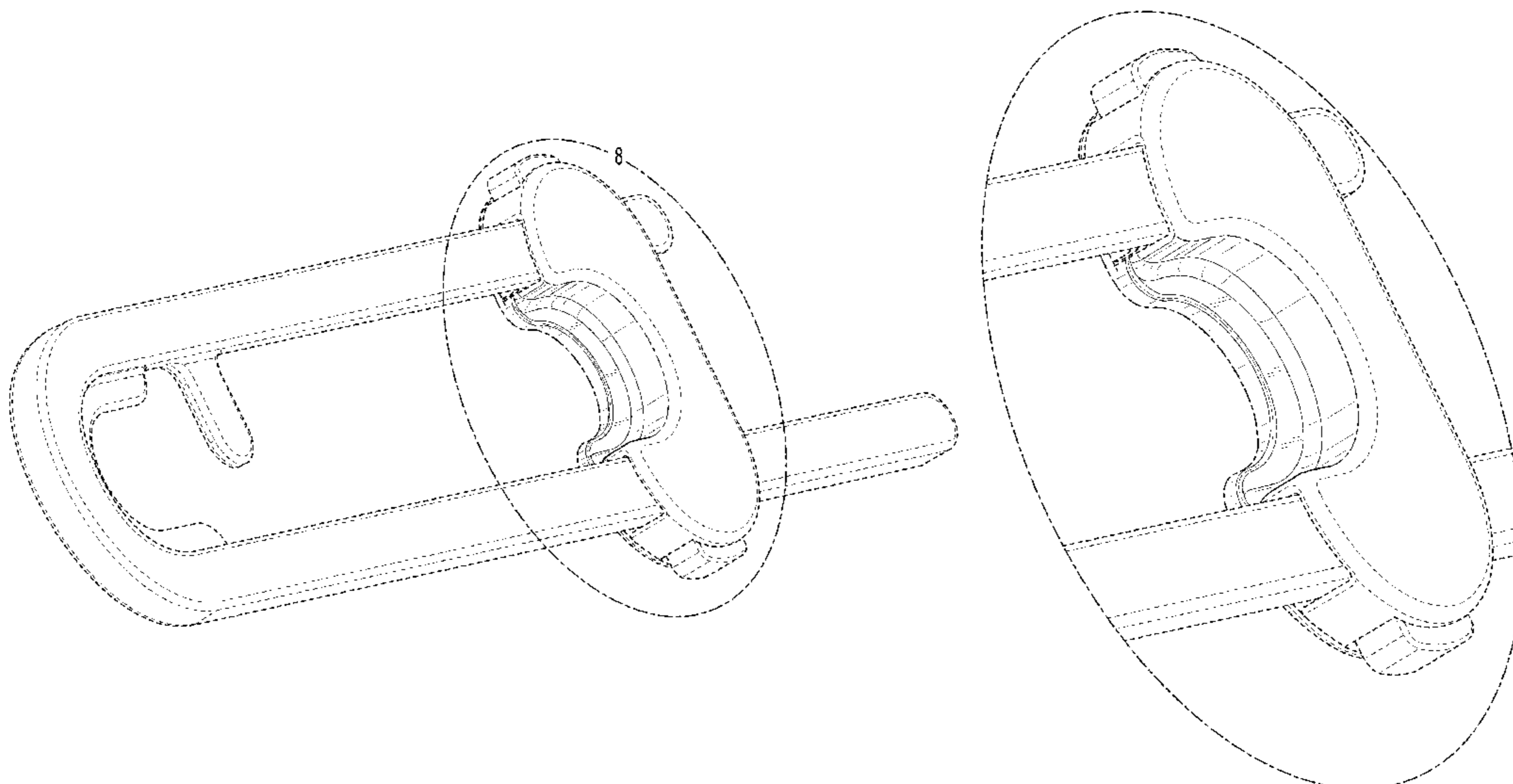
(57) **CLAIM**

The ornamental design for a cabinet lock, as shown and described.

DESCRIPTION

FIG. 1 is a bottom, front, left side perspective view of a cabinet lock showing my new design;
 FIG. 2 is a front elevation view thereof;
 FIG. 3 is a rear elevation view thereof;
 FIG. 4 is a left side elevation view thereof;
 FIG. 5 is a right side elevation view thereof;
 FIG. 6 is a top plan view thereof;
 FIG. 7 is a bottom plan view thereof;
 FIG. 8 is an enlarged fragmentary front view of the portion shown within the encircled area identified as 8 in FIG. 1; and,
 FIG. 9 is a top, front, right side perspective view thereof.
 The dash-dash broken lines represent portions of the cabinet lock that form no part of the claimed design. The dot-dash broken lines represent borders of the claimed design and form no part of the claimed design.

1 Claim, 7 Drawing Sheets



(56)

References Cited

U.S. PATENT DOCUMENTS

D770,263 S * 11/2016 Marsden D8/330
D778,139 S * 2/2017 Sarnowski D8/331

OTHER PUBLICATIONS

[No Author Listed] Safety 1st Cabinet Lock, publicly disclosed prior to Sep. 10, 2014. 1 page.

* cited by examiner

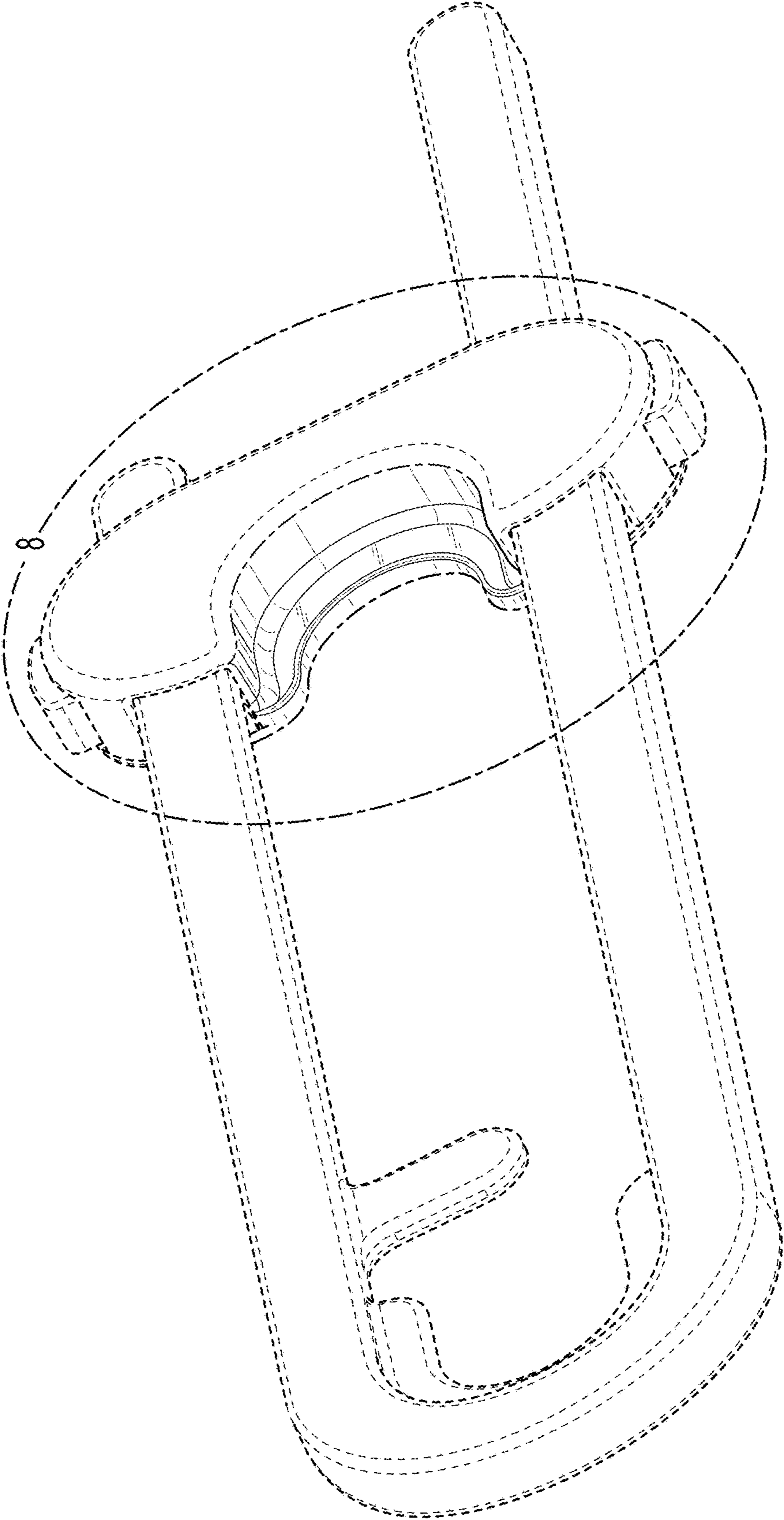


FIG. 1

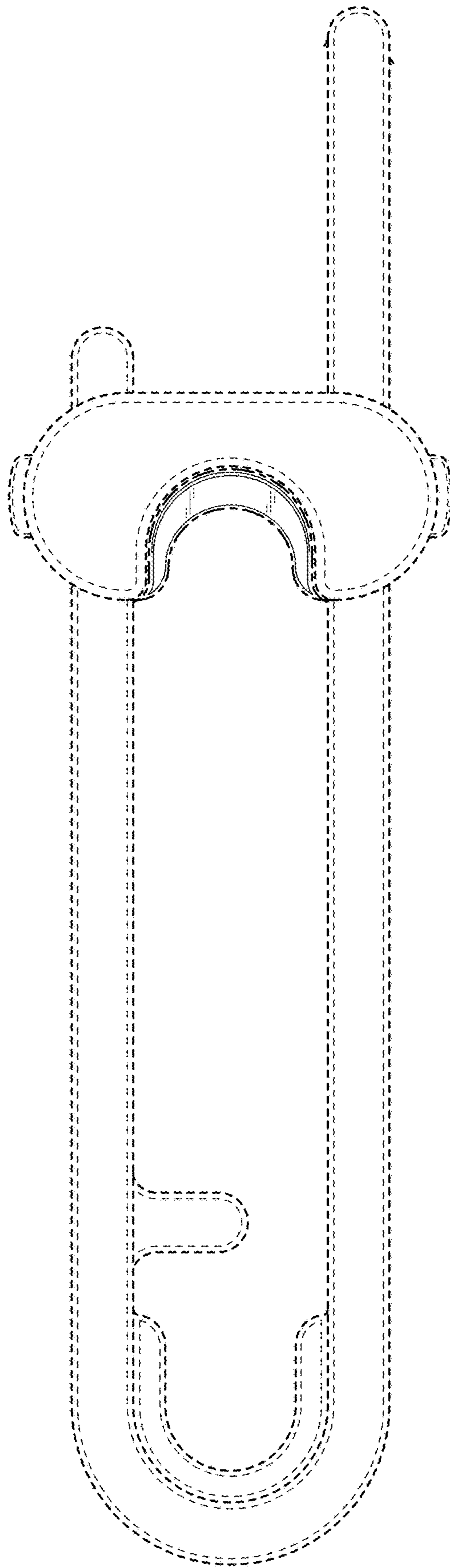


FIG. 2

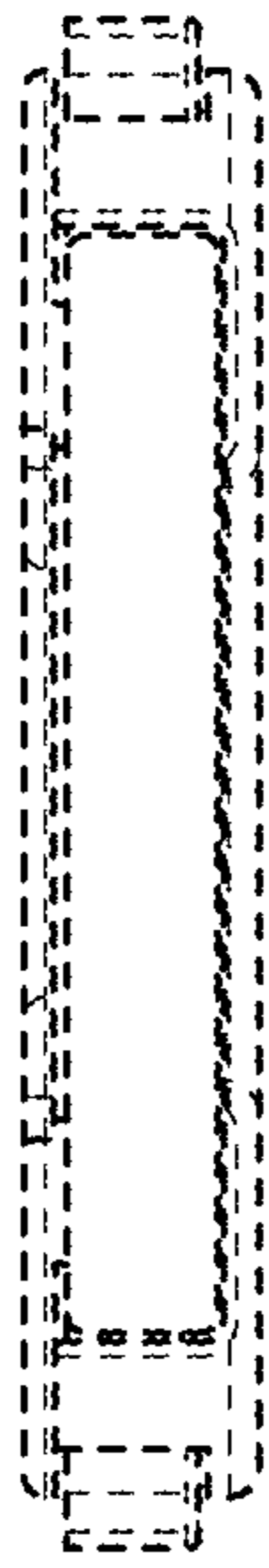


FIG. 4

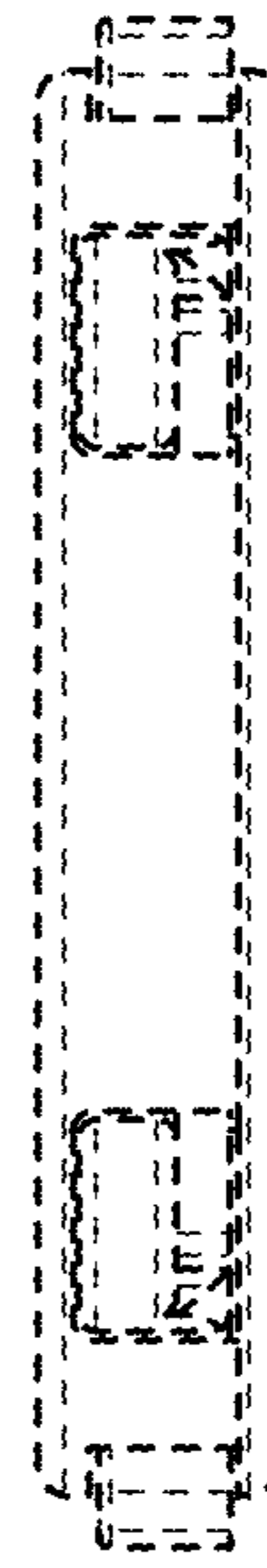


FIG. 5

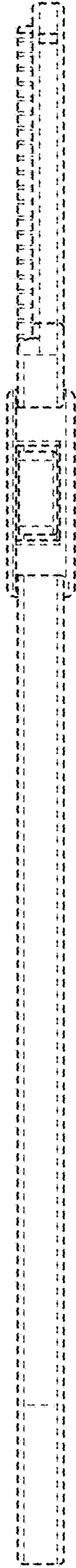


FIG. 6

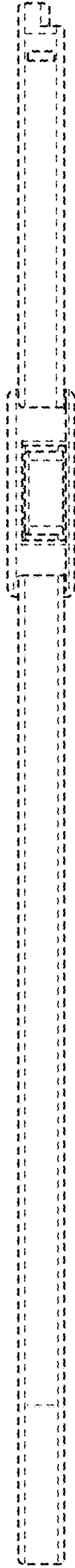


FIG. 7

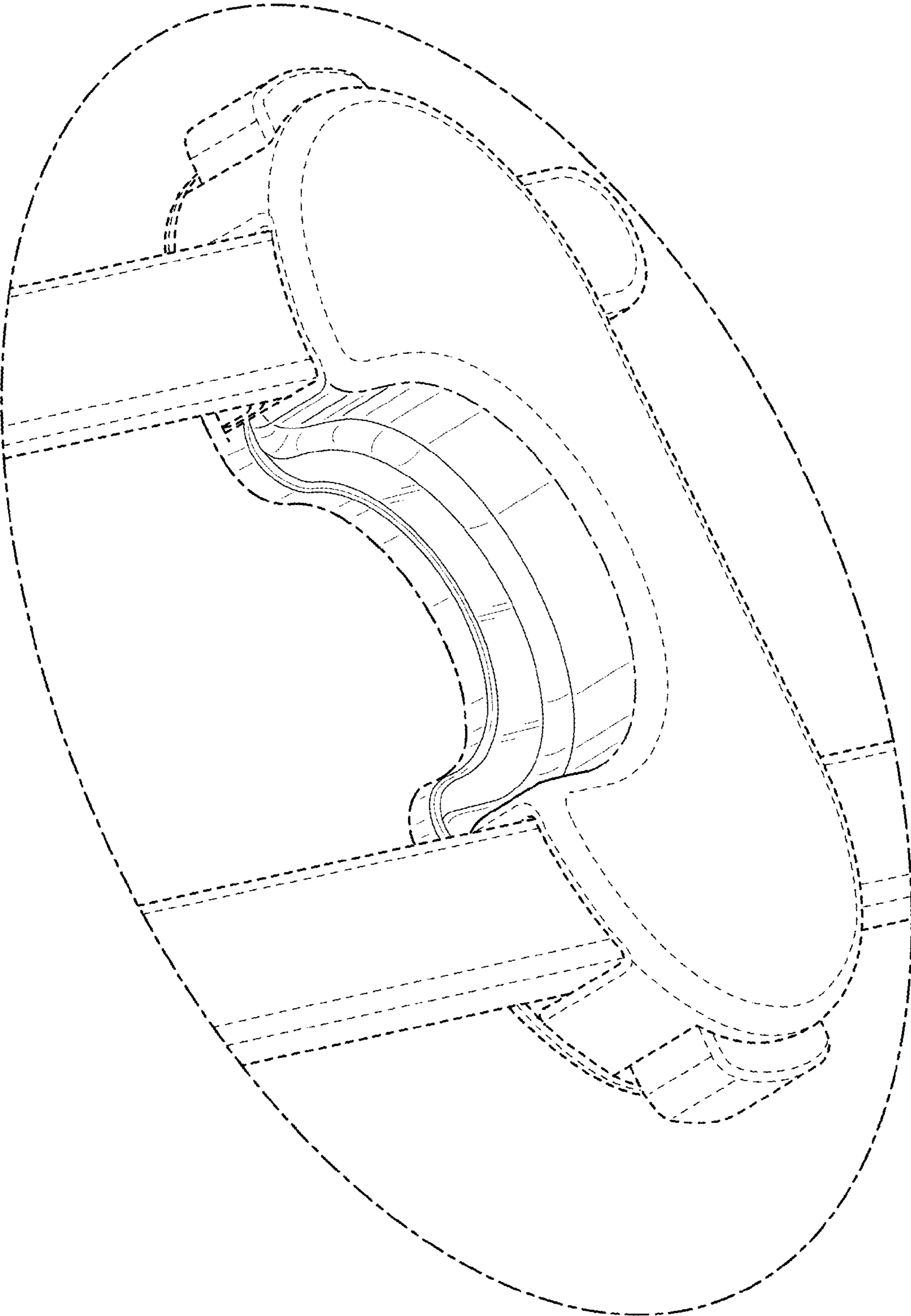


FIG. 8

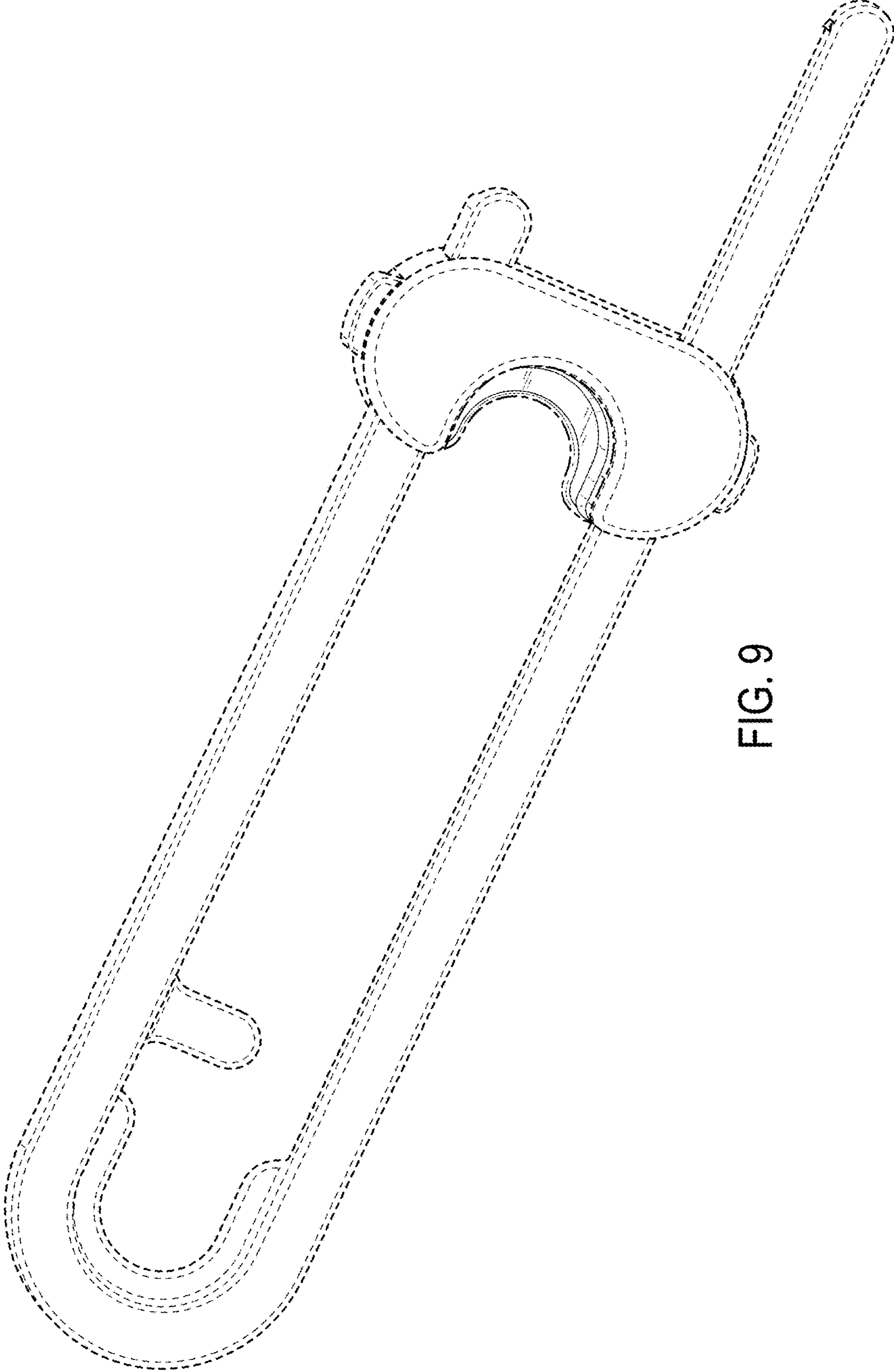


FIG. 9