



US00D785438S

(12) **United States Design Patent**  
**Cooper et al.**

(10) **Patent No.:** **US D785,438 S**

(45) **Date of Patent:** **\*\* May 2, 2017**

- (54) **HINGE**
- (71) Applicant: **Hardware Resources, Inc.**, Bossier City, LA (US)
- (72) Inventors: **Rachel Cooper**, Farmers Branch, TX (US); **Travis McElveen**, Bossier City, LA (US); **Dennis McGregor**, Farmers Branch, TX (US)
- (73) Assignee: **HARDWARE RESOURCES, INC.**, Bossier City, LA (US)
- (\*\*) Term: **15 Years**
- (21) Appl. No.: **29/542,911**
- (22) Filed: **Oct. 19, 2015**
- (51) **LOC (10) Cl.** ..... **08-06**
- (52) **U.S. Cl.**  
USPC ..... **D8/323**
- (58) **Field of Classification Search**  
USPC ..... D8/323, 328; 16/387, 342, 337; D23/323  
CPC .. E05D 1/00; E05D 11/06; E05D 5/10; E05D 3/02; E05D 11/082; A47K 13/12  
See application file for complete search history.

- 5,210,907 A \* 5/1993 Toyama ..... E05D 7/0407 16/251
- 5,577,297 A \* 11/1996 Lautenschlager ..... E05D 5/08 16/254
- 6,308,376 B1 \* 10/2001 Koshikawa ..... E05D 3/16 16/250
- D451,000 S \* 11/2001 Karl ..... D8/323
- 6,401,298 B1 \* 6/2002 Lenz ..... E05D 11/1021 16/303
- D475,272 S \* 6/2003 Hansen, II ..... D8/327
- 8,020,253 B1 \* 9/2011 Finkelstein ..... E05D 7/0423 16/250
- D676,307 S \* 2/2013 Oshima ..... D8/323
- D676,308 S \* 2/2013 Oshima ..... D8/323
- D684,839 S \* 6/2013 Oshima ..... D8/323
- D700,036 S \* 2/2014 Oshima ..... D8/323
- D719,011 S \* 12/2014 Russo ..... D8/323
- D719,811 S \* 12/2014 Cooper ..... D8/323
- D749,931 S \* 2/2016 Oshima ..... D8/323
- 9,388,616 B2 \* 7/2016 Cooper ..... E05D 11/0054
- 2003/0093877 A1 \* 5/2003 Hofer ..... E05D 7/0415 16/235
- 2007/0084017 A1 \* 4/2007 Takamatsu ..... E05D 5/08 16/382

(Continued)

*Primary Examiner* — Cynthia Underwood  
(74) *Attorney, Agent, or Firm* — Schultz & Associates, P.C.

(57) **CLAIM**

The ornamental design for a hinge, as shown and described.

**DESCRIPTION**

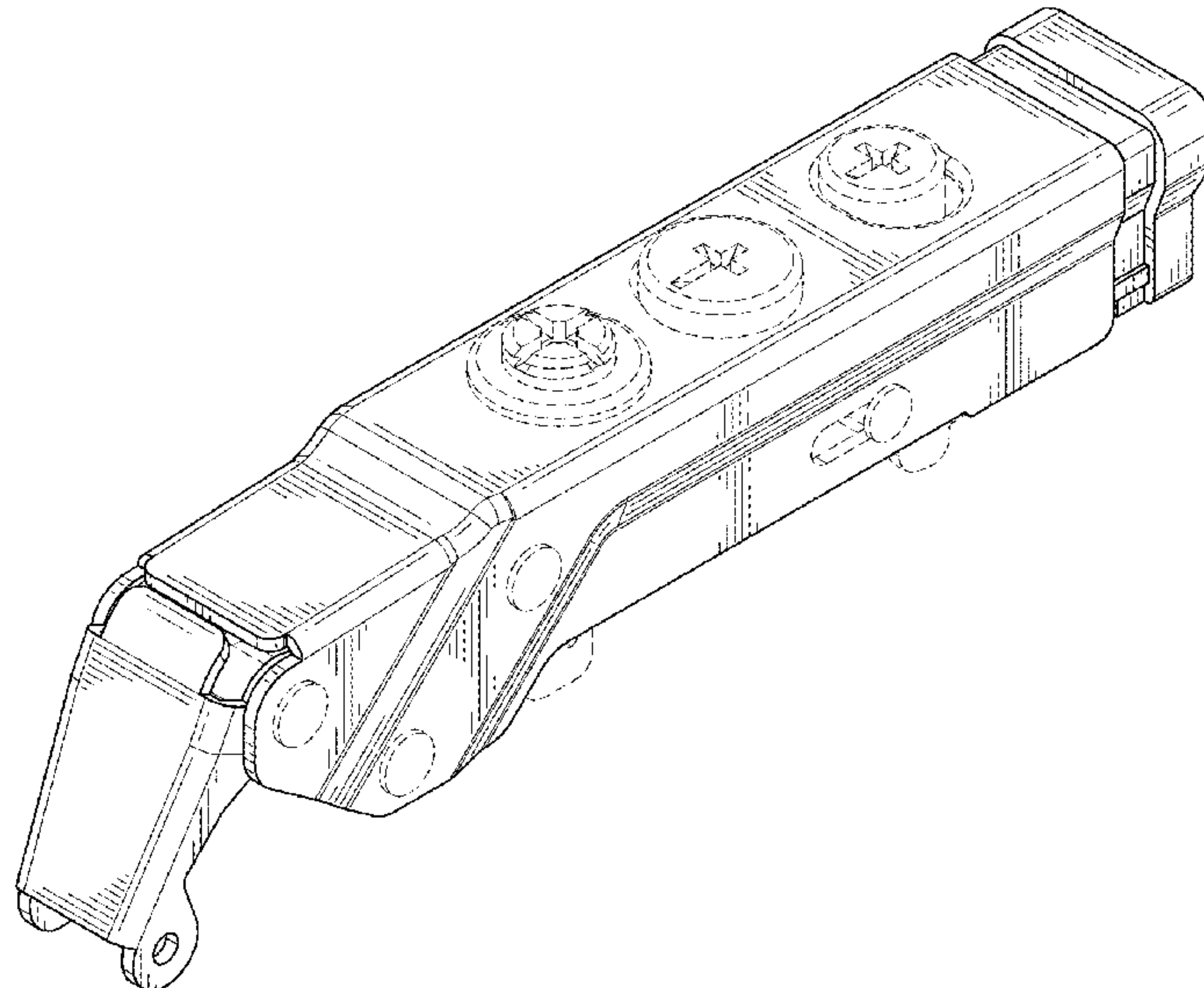
FIG. 1 is a perspective view of a hinge cover showing our new design;  
FIG. 2 is a side elevation view thereof;  
FIG. 3 is a top plan view thereof; and,  
FIG. 4 is a perspective view thereof.  
The broken lines shown represent unclaimed subject matter and form no part of the claimed design.

**1 Claim, 4 Drawing Sheets**

(56) **References Cited**

U.S. PATENT DOCUMENTS

- D268,893 S \* 5/1983 Salice ..... D8/323
- 4,847,948 A \* 7/1989 Gross ..... E05D 7/0407 16/251
- 4,870,716 A \* 10/1989 Grass ..... E05D 5/0276 16/250
- D309,247 S \* 7/1990 Grass ..... D8/323
- D309,704 S \* 8/1990 Grass ..... D8/323
- 5,056,192 A \* 10/1991 Grass ..... E05D 11/0054 16/251



(56)

**References Cited**

U.S. PATENT DOCUMENTS

2014/0026361 A1\* 1/2014 Kim ..... E05D 11/0054  
16/251  
2014/0259526 A1\* 9/2014 Migli ..... E05D 5/0276  
16/231  
2015/0191952 A1\* 7/2015 Pyo ..... E05D 7/0407  
16/239

\* cited by examiner

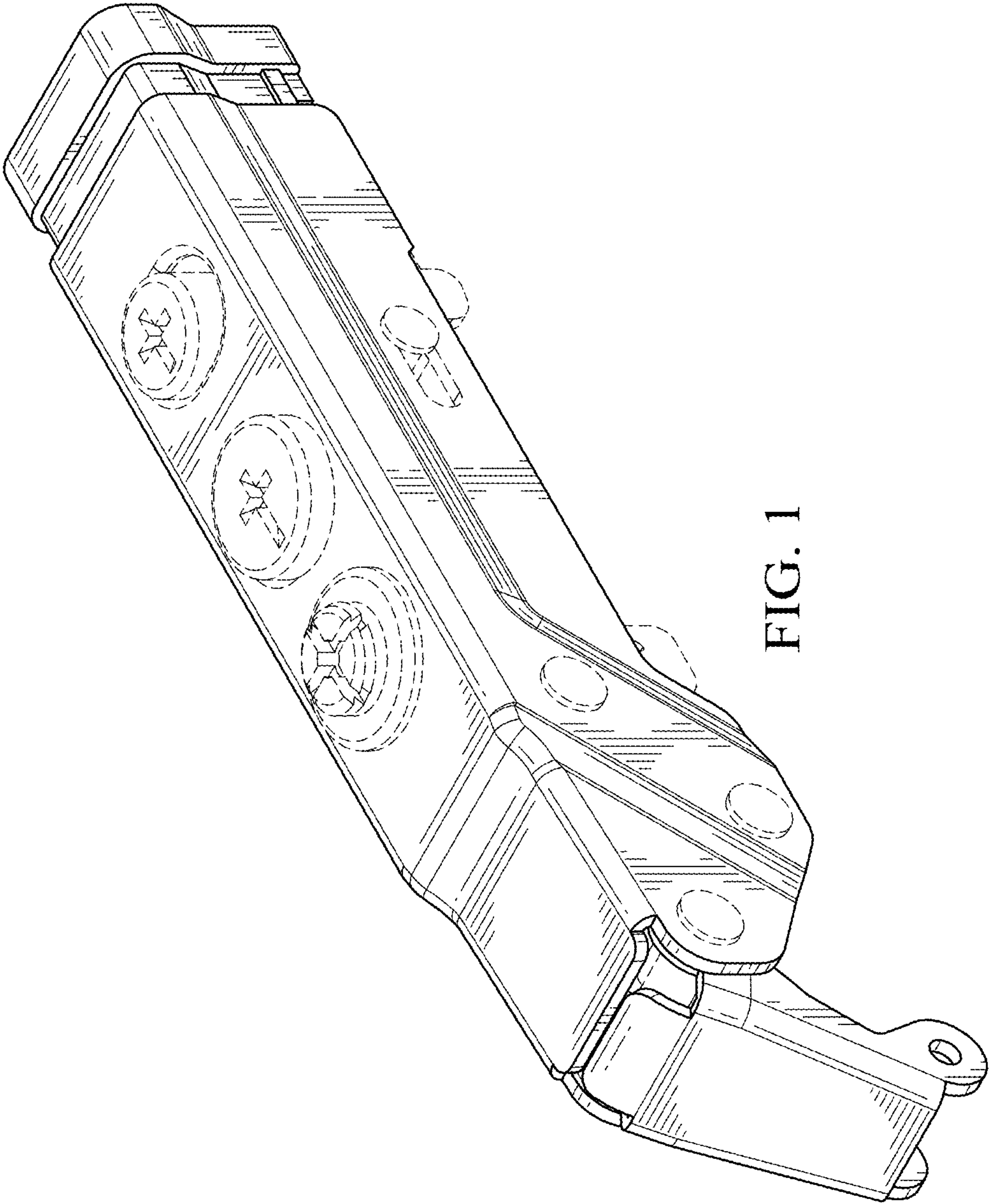


FIG. 1

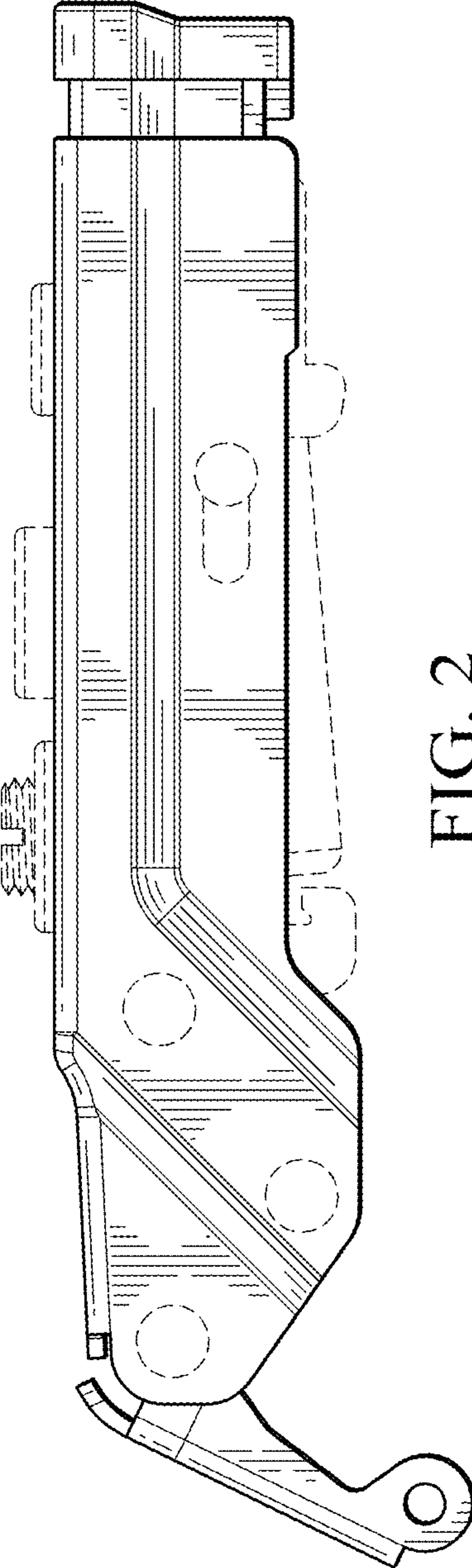


FIG. 2

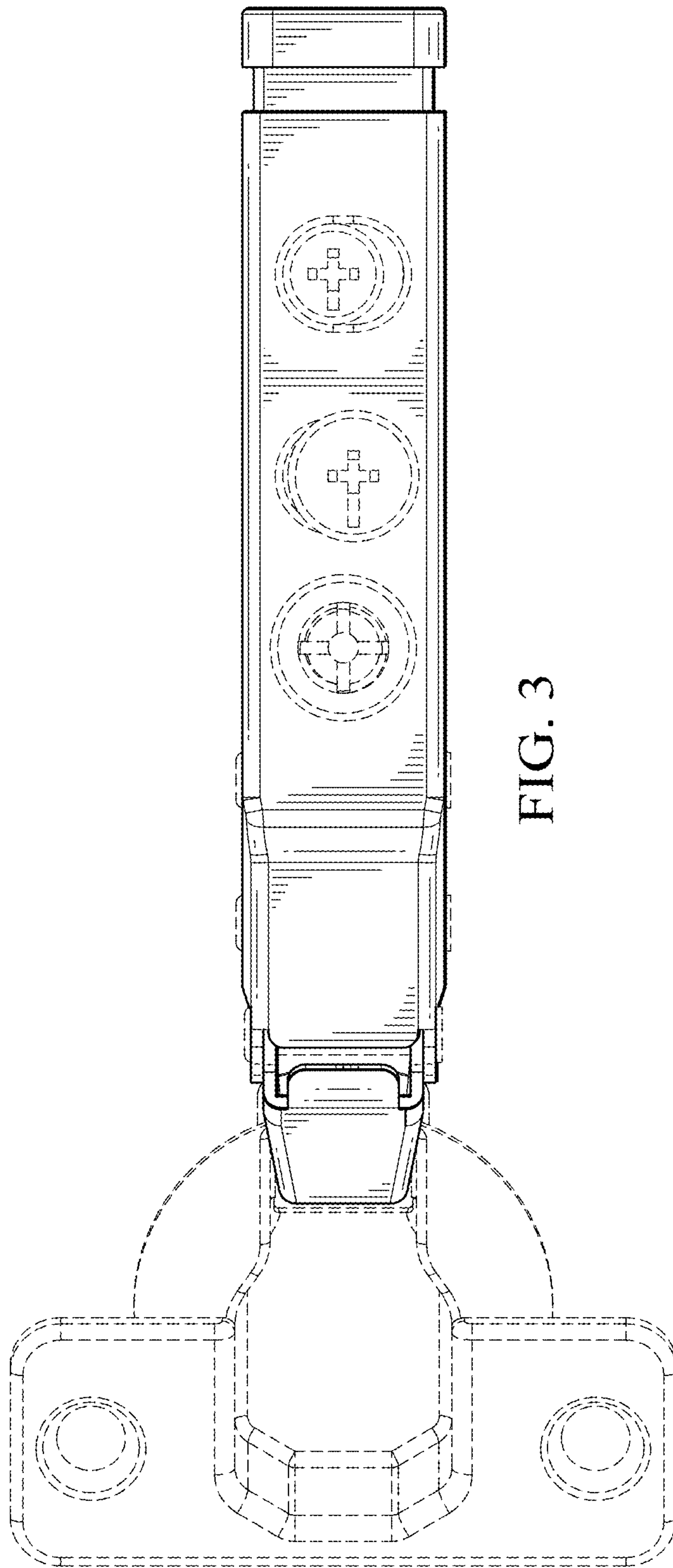


FIG. 3



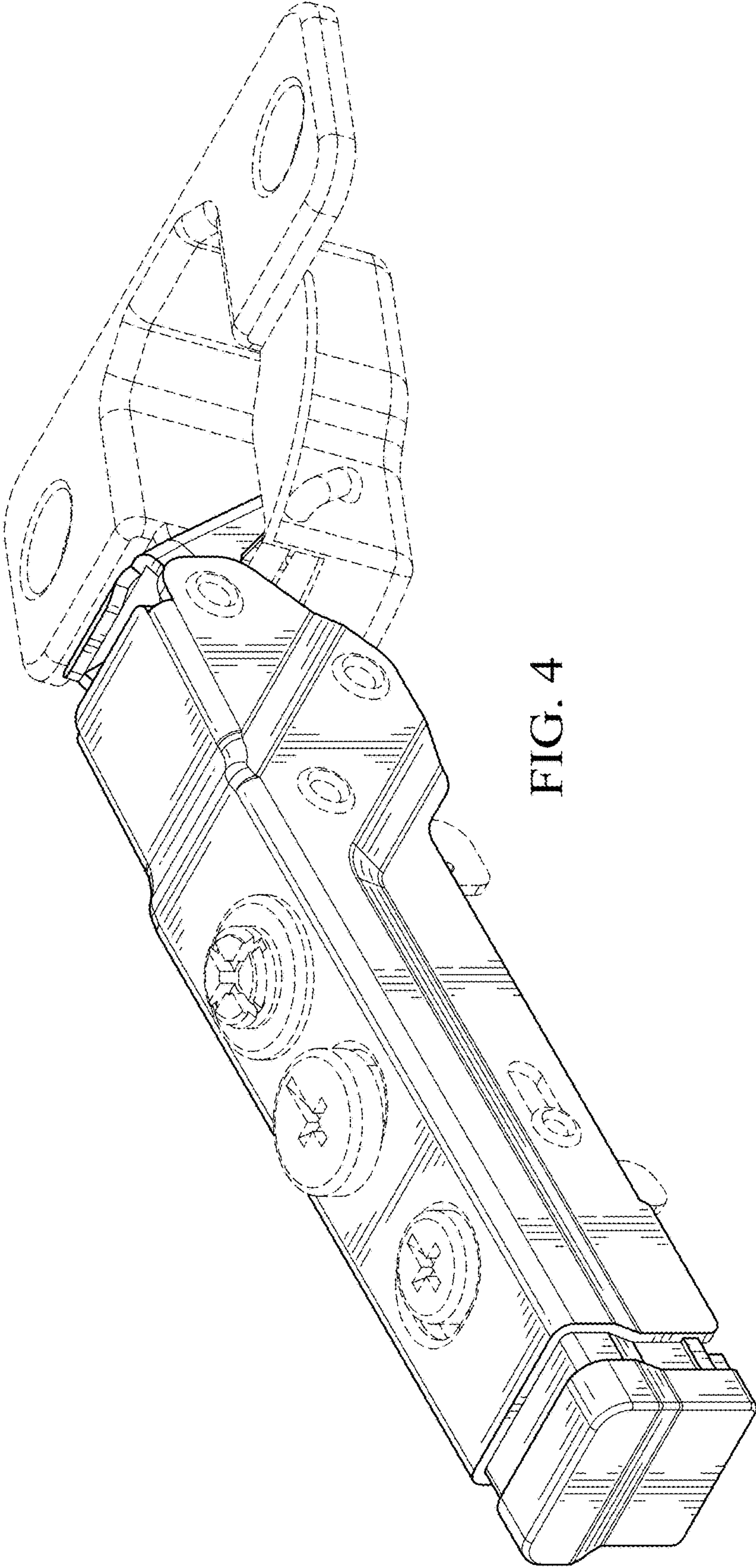


FIG. 4