



US00D785437S

(12) **United States Design Patent** (10) **Patent No.:** **US D785,437 S**
Bertani (45) **Date of Patent:** **** May 2, 2017**

(54) **CABINET DOOR LOCKING HANDLE**

292/53; Y10S 292/31; Y10S 292/64;
Y10S 70/31

(71) Applicant: **Elesa S.p.A.**, Milan (IT)

See application file for complete search history.

(72) Inventor: **Alberto Bertani**, Monza (IT)

(56) **References Cited**

(73) Assignee: **ELESA S.P.A.**, Milan (IT)

U.S. PATENT DOCUMENTS

(**) Term: **15 Years**

(21) Appl. No.: **29/547,957**

D162,676	S	*	3/1951	Morgan	D7/393
D174,180	S	*	3/1955	Howie	D7/393
D187,943	S	*	5/1960	Eckersberg et al.	D7/394
4,343,501	A		8/1982	Meeks		
5,072,977	A		12/1991	Millman		
D369,087	S	*	4/1996	Decursu	D8/314
D420,562	S		2/2000	McCoy		
D466,392	S		12/2002	Halajko		
D488,991	S		4/2004	Bertani		
D533,434	S		12/2006	Riblett		
D555,423	S		11/2007	Hoff		
D581,769	S		12/2008	Mattson		
D584,128	S		1/2009	Ricereto		
D761,633	S	*	7/2016	Bertani	D8/313
D767,364	S	*	9/2016	Bertani	D8/313
2006/0267356	A1		11/2006	Catalano		
2015/0159399	A1		6/2015	Shad		

(22) Filed: **Dec. 9, 2015**

Related U.S. Application Data

(62) Division of application No. 29/468,840, filed on Oct. 3, 2013, now Pat. No. Des. 761,633.

(51) **LOC (10) Cl.** **08-06**

(52) **U.S. Cl.**
USPC **D8/313**

(58) **Field of Classification Search**
USPC D8/301, 302, 313, 315, 316, 318, 319,
D8/320, 331; 16/110.1, 402, 412, 415,
16/416, 443, 444; 292/336.3, 347, 348,
292/DIG. 23, DIG. 53; 70/207, 208, 209,
70/224, 455; D7/393, 394

CPC ... Y10T 16/44; Y10T 292/57; Y10T 70/5761;
Y10T 70/5832; Y10T 16/458; Y10T
292/1047; Y10T 16/513; Y10T 70/5889;
Y10T 16/498; Y10T 70/5792; Y10T
16/476; Y10T 16/86; Y10T 70/7062;
Y10T 70/8568; Y10T 16/4713; Y10T
70/5819; Y10T 70/5155; Y10T 74/20732;
Y10T 292/097; Y10T 292/1059; Y10T
70/7113; Y10T 70/7305; Y10T 292/1014;
Y10T 292/1052; Y10S 292/23; Y10S

* cited by examiner

Primary Examiner — Derrick Holland
Assistant Examiner — Lauren Calve
(74) *Attorney, Agent, or Firm* — Pearne & Gordon LLP

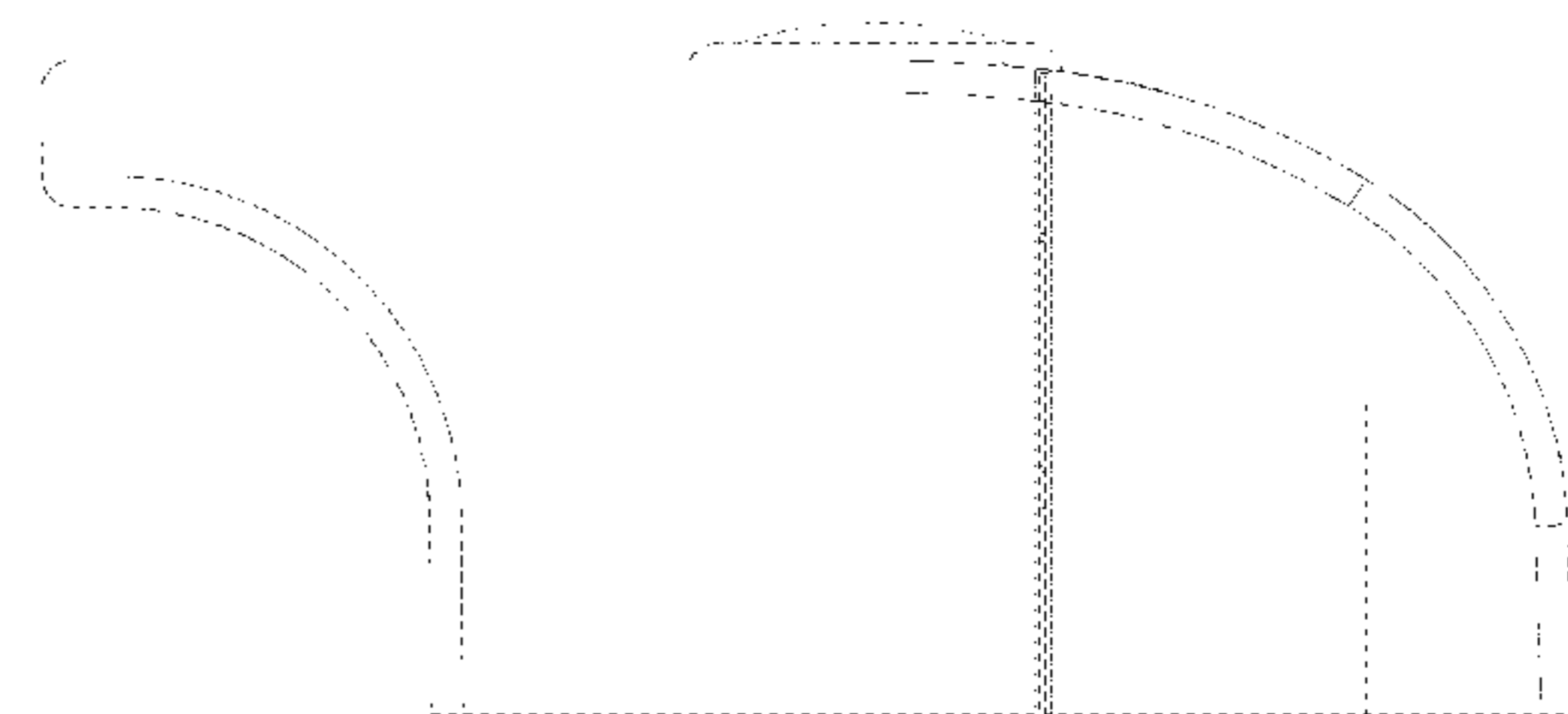
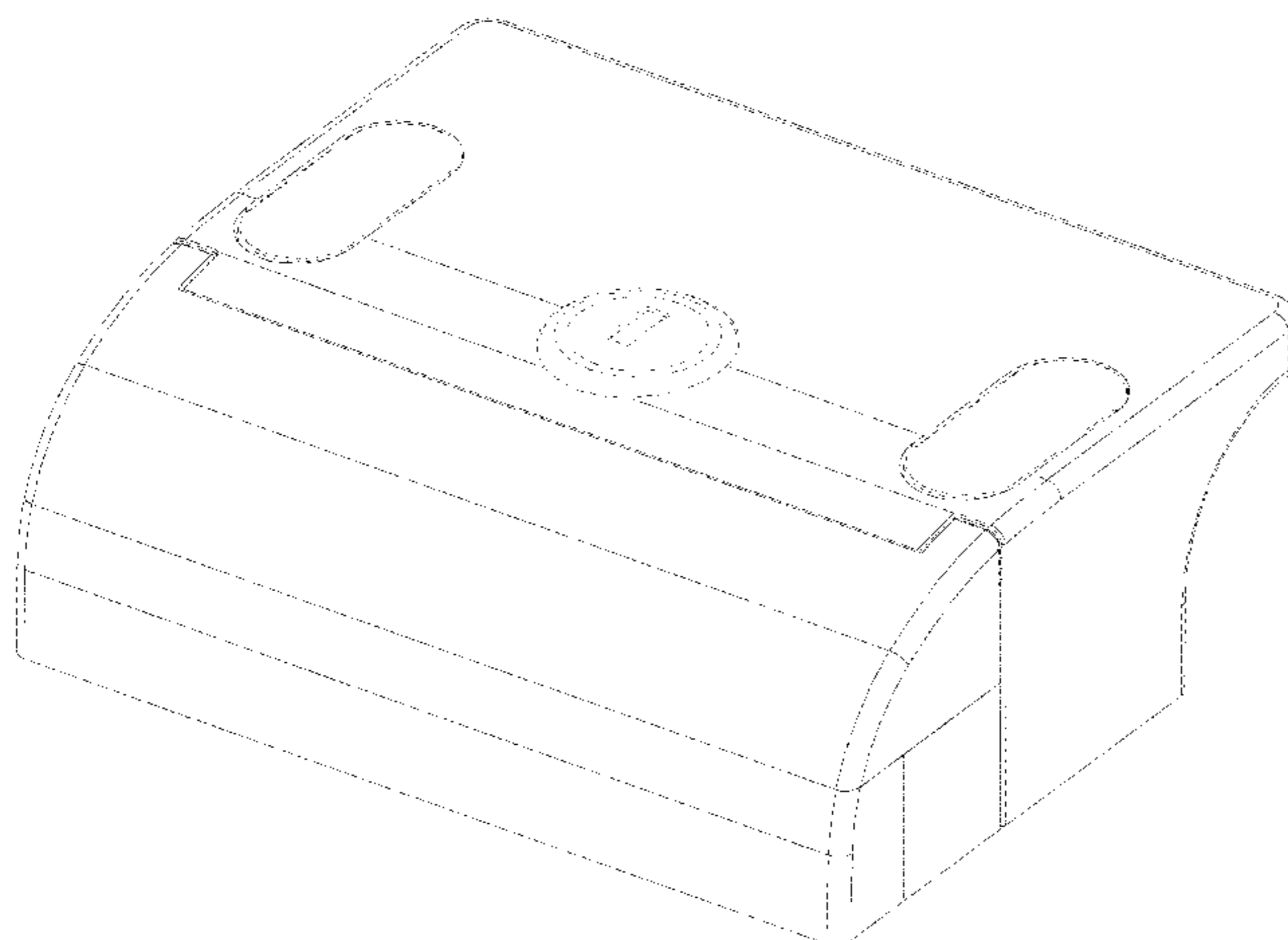
(57) **CLAIM**

The ornamental design for a cabinet door locking handle, as shown and described.

DESCRIPTION

FIG. 1 is a perspective view of a cabinet door locking handle showing my new design;
FIG. 2 is a top view thereof;
FIG. 3 is a left side view thereof;
FIG. 4 is a right side view thereof;
FIG. 5 is a front view thereof;
FIG. 6 is a rear view thereof; and,
FIG. 7 is a bottom view thereof.

(Continued)



The broken lines shown represent unclaimed subject matter and form no part of the claimed design.

1 Claim, 7 Drawing Sheets

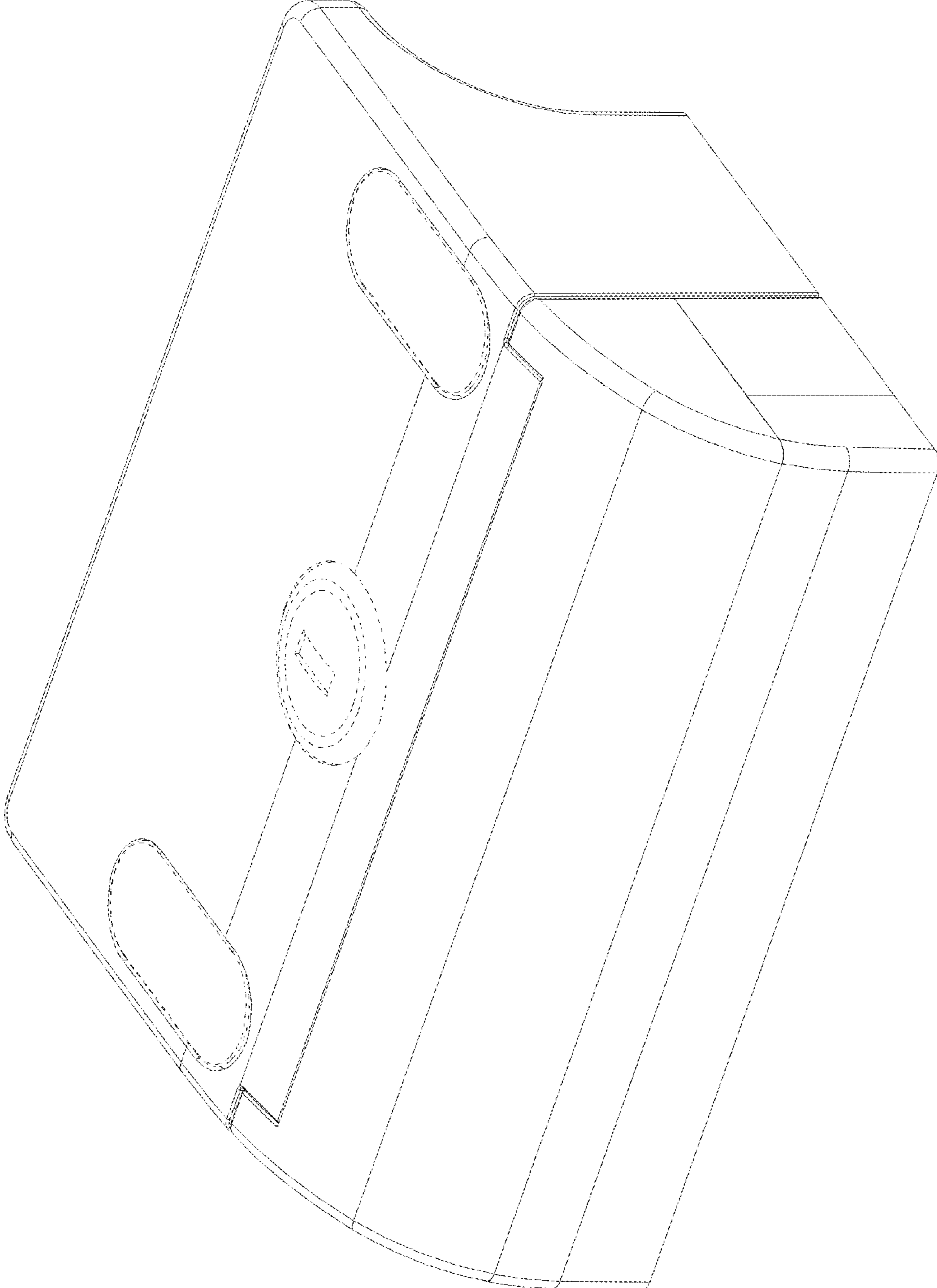


FIG. 1

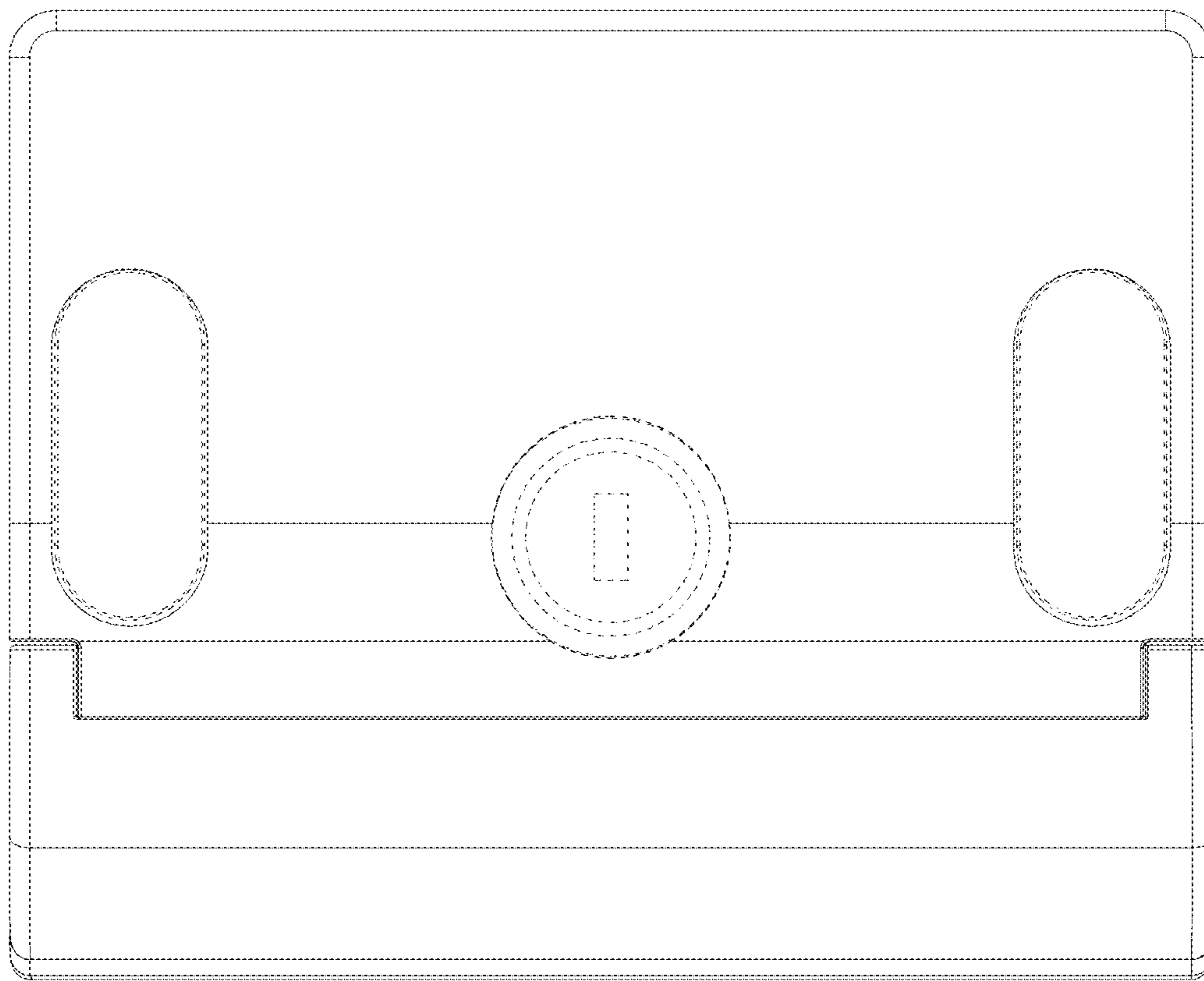


FIG. 2

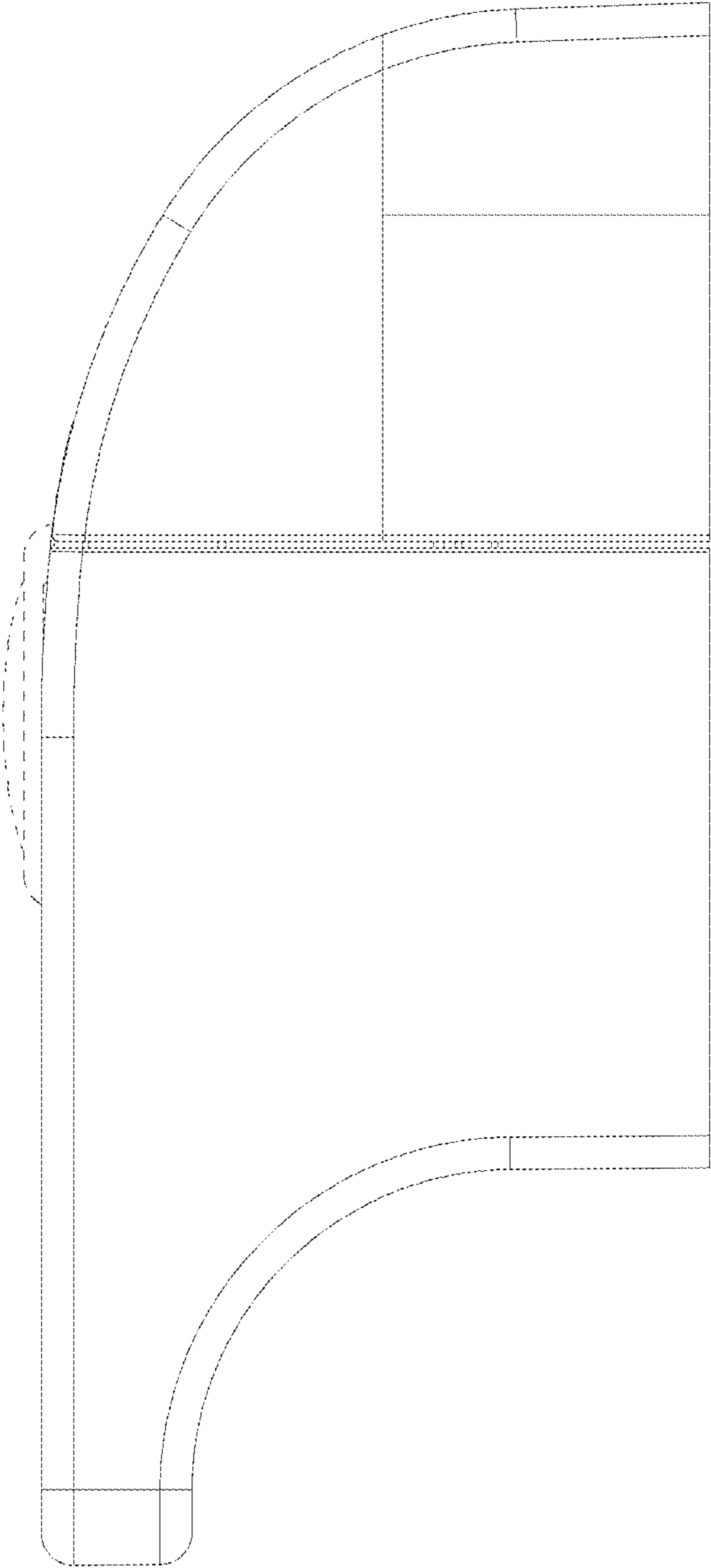


FIG. 3

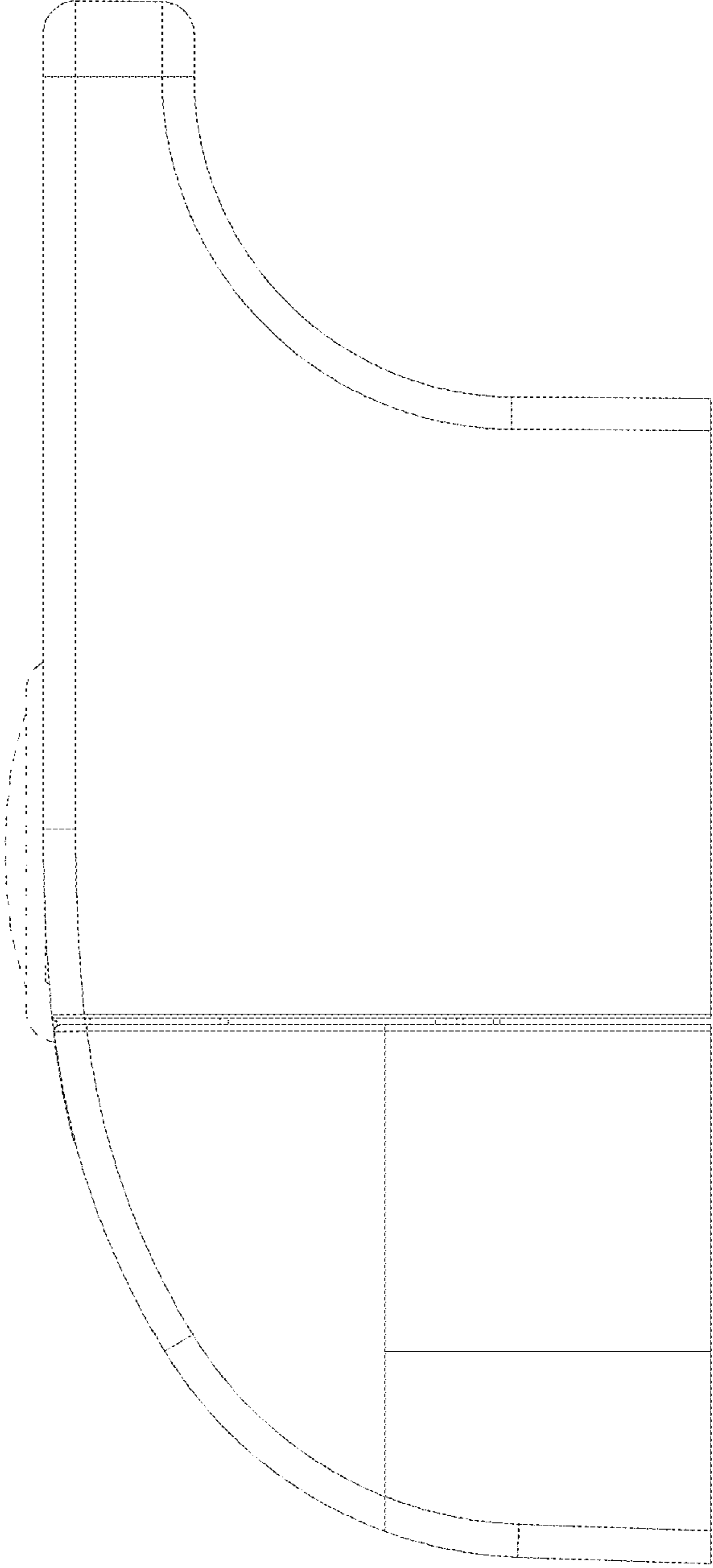


FIG. 4

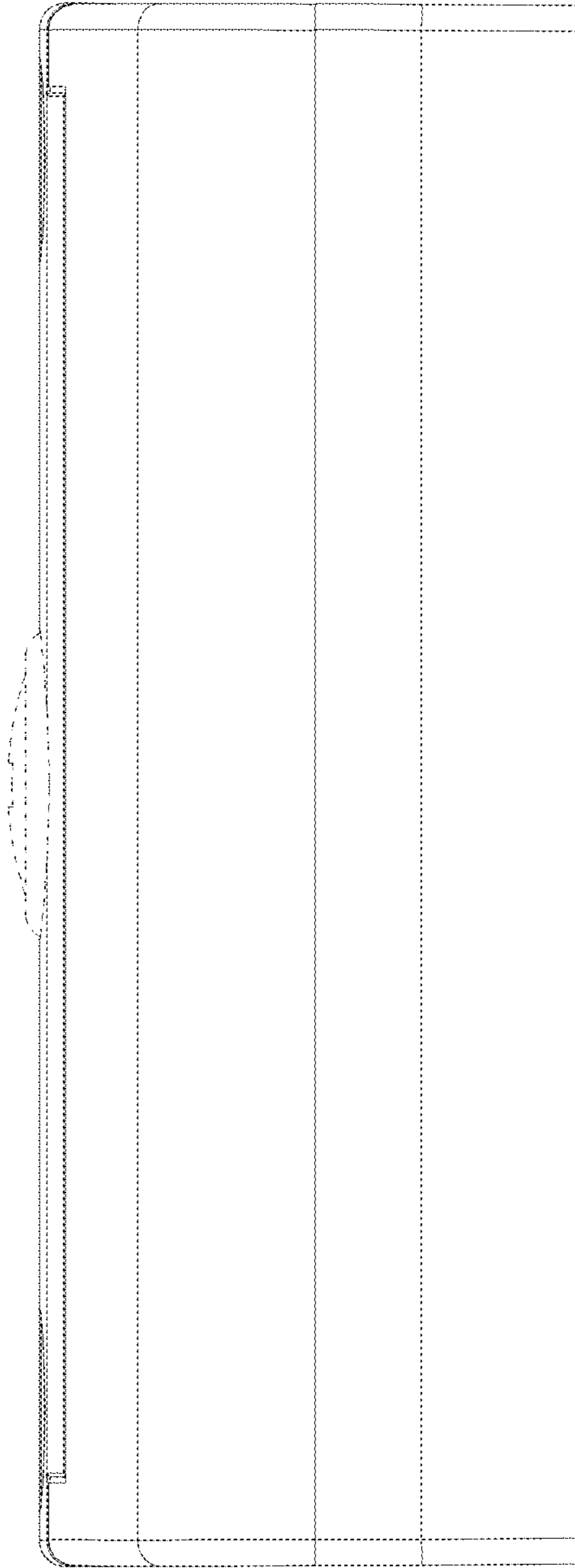


FIG. 5

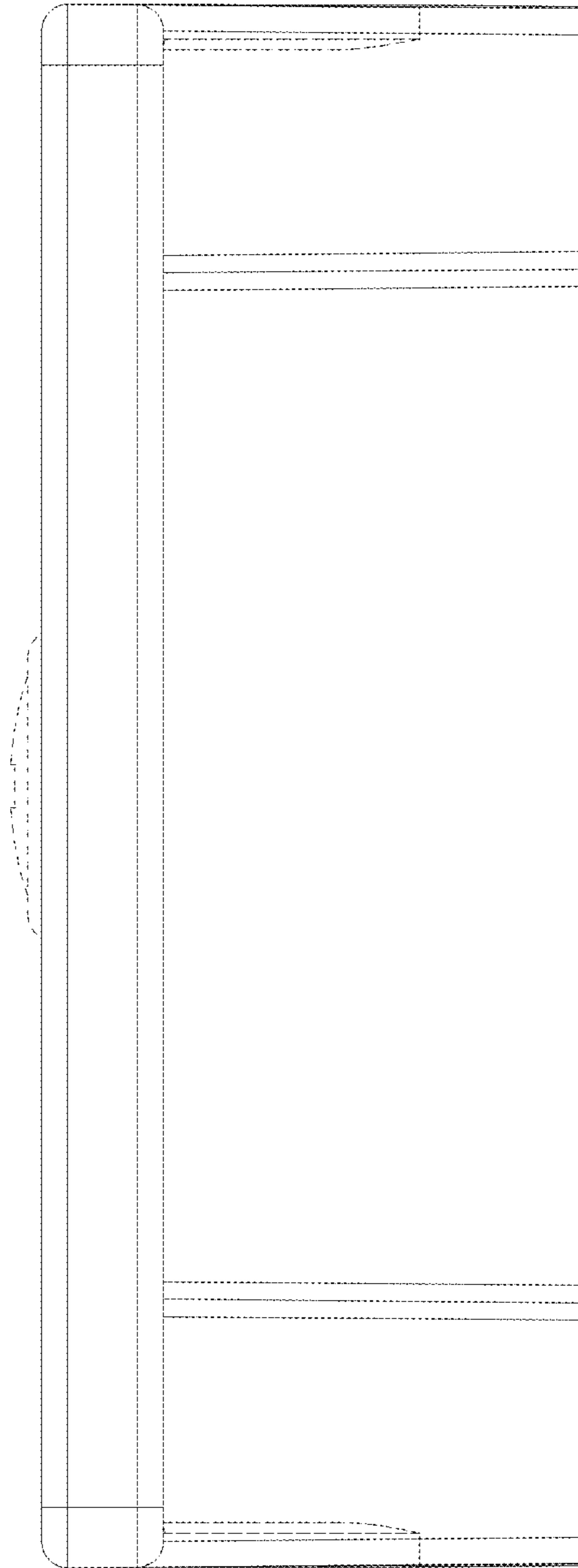


FIG. 6

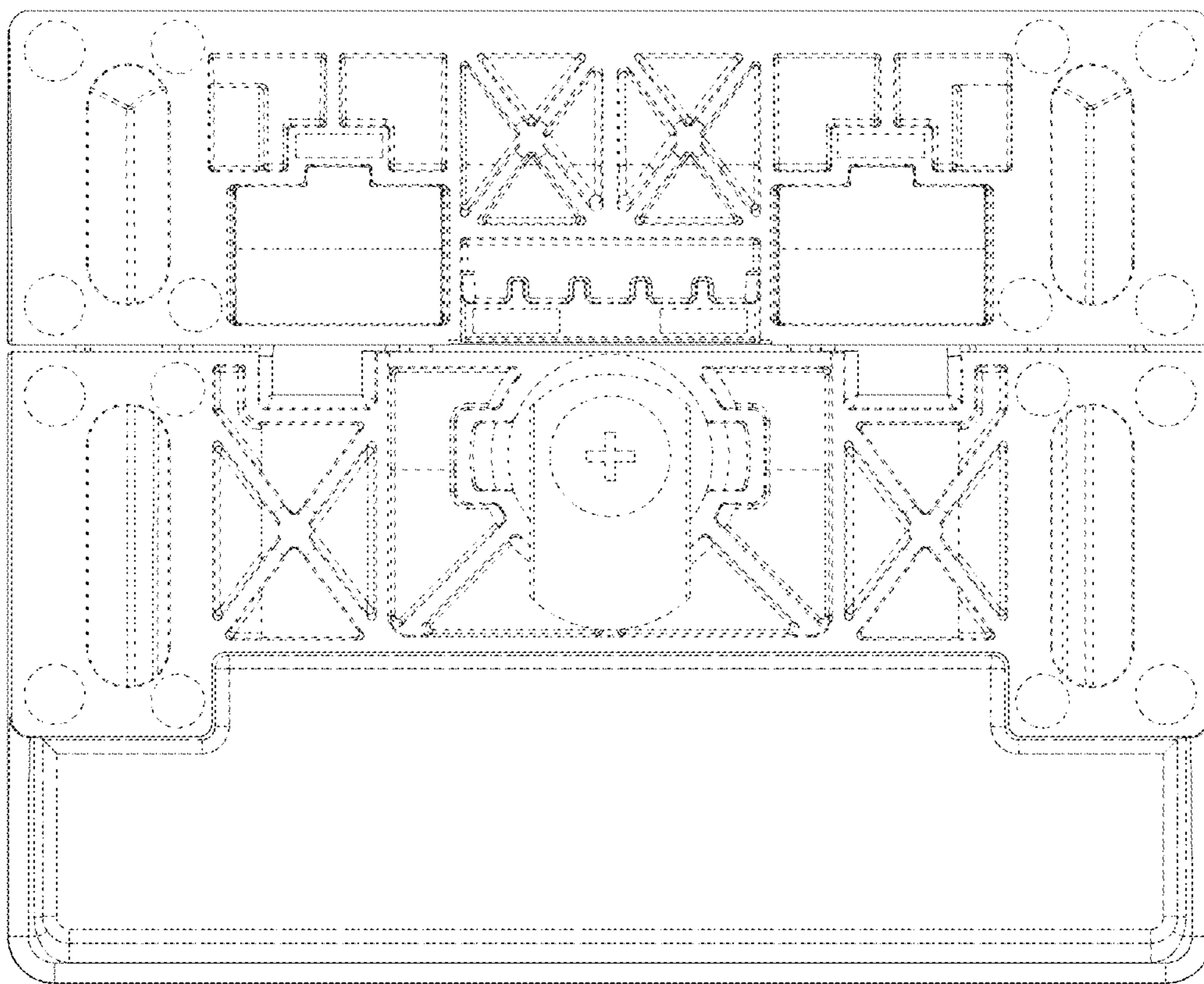


FIG. 7