



US00D785436S

(12) **United States Design Patent** (10) **Patent No.:** **US D785,436 S**
Carlino (45) **Date of Patent:** **** May 2, 2017**

(54) **DOOR PULL**

77/06; E05B 79/06; E05B 85/18; E05B 85/12; E05B 85/10; E05B 7/00; E05B 1/0053; E05B 77/265

(71) Applicant: **TIRAR PTY LTD**, Waitara, New South Wales (AU)

See application file for complete search history.

(72) Inventor: **Felice Carlino**, Waitara (AU)

(56) **References Cited**

(73) Assignee: **TIRAR PTY LTD**, Waitara, NSW (AU)

U.S. PATENT DOCUMENTS

(**) Term: **15 Years**

(21) Appl. No.: **29/535,860**

(22) Filed: **Aug. 11, 2015**

(30) **Foreign Application Priority Data**

Feb. 11, 2015 (AU) 201510714

(51) **LOC (10) Cl.** **08-06**

(52) **U.S. Cl.**
USPC **D8/308**

(58) **Field of Classification Search**

USPC D8/300-302, 307-309, 310, 311, 10; D23/254, 255, 257; 292/336.3, 347; 74/523, 543; 70/192, 201, 206, 207; 16/110.1, 412, 416, 430, DIG. 30
CPC Y10T 16/44; Y10T 74/20612; Y10T 74/20732; Y10T 16/458; Y10T 16/498; Y10T 16/469; Y10T 16/476; Y10T 74/20744; Y10T 74/20864; Y10T 16/4628; Y10T 74/20642; Y10T 16/473; Y10T 74/20762; Y10T 74/2042; Y10T 74/20828; Y10T 16/459; Y10T 16/4713; Y10T 74/2014; Y10T 16/50; Y10T 74/20438; Y10T 74/20582; Y10T 74/20738; Y10T 16/48; Y10T 74/20618; Y10T 74/20684; Y10T 74/20624; Y10T 74/20468; Y10T 16/61; Y10T 16/4719; Y10T 16/86; Y10S 16/30; Y10S 292/31; Y10S 292/53; Y10S 16/12; Y10S 292/23; Y10S 292/27; Y10S 292/30; Y10S 292/63; E05B 85/16; E05B 1/0015; E05B

4,453,753	A *	6/1984	Fayerman	E05B 65/104
					292/169
D302,203	S *	7/1989	Paul	D23/257
D361,020	S *	8/1995	Hegstrum	D8/14
D417,262	S *	11/1999	Caplow	D23/255
D488,539	S *	4/2004	McKeone	D23/255
D532,279	S *	11/2006	Bouroullec	D8/308
D549,548	S *	8/2007	Roberts, III	D8/308
D583,212	S *	12/2008	Grohmann	D8/308
D613,824	S *	4/2010	Sofield	D23/250
D615,627	S *	5/2010	Sofield	D23/252
D616,245	S *	5/2010	Fiorotto	D7/402
D665,879	S *	8/2012	Flowers	D23/252
D718,304	S *	11/2014	Heinrich	D14/372

(Continued)

Primary Examiner — Derrick Holland

Assistant Examiner — Lauren Calve

(74) *Attorney, Agent, or Firm* — Ladas & Parry LLP

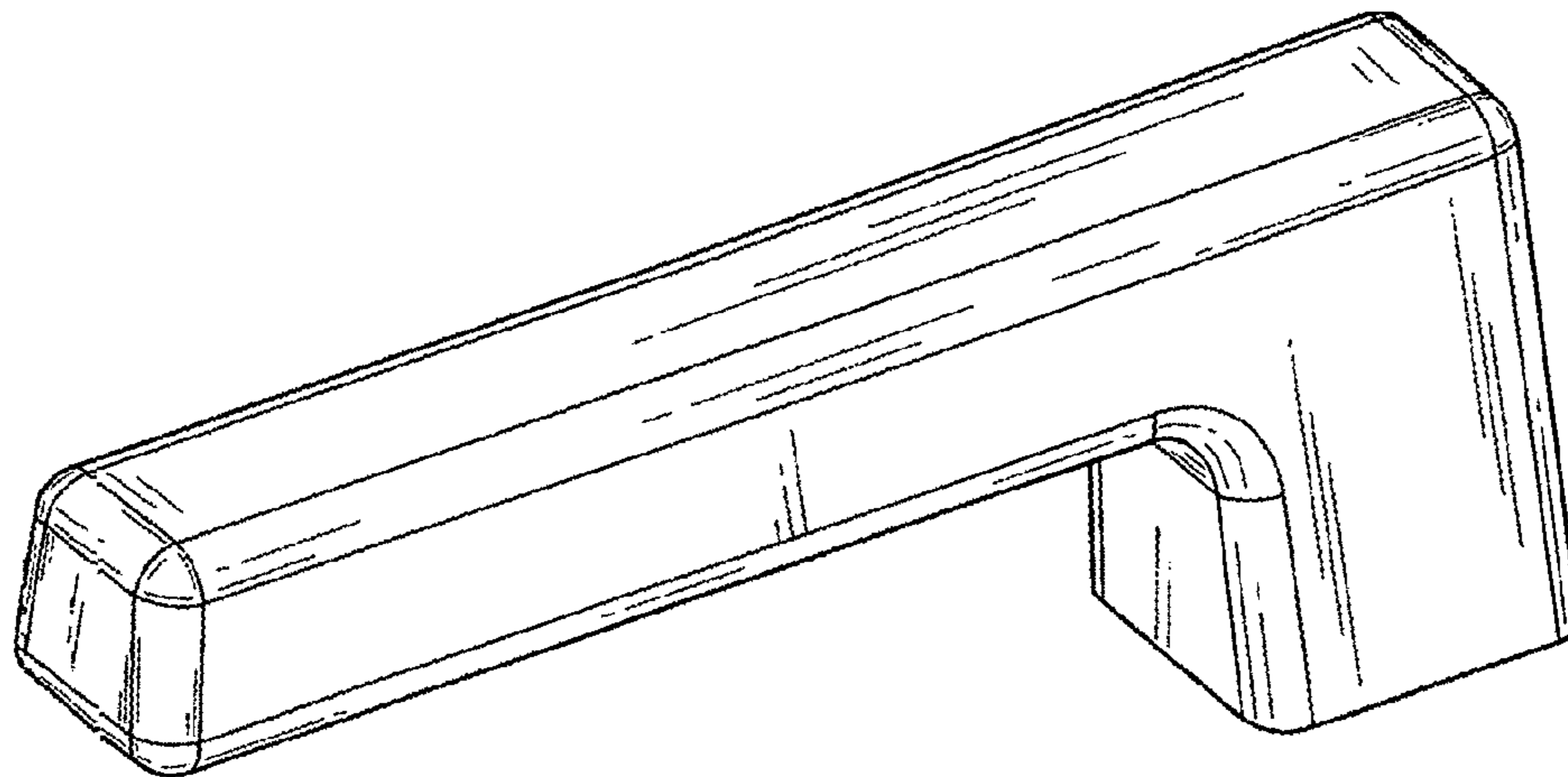
(57) **CLAIM**

The ornamental design for a door pull, as shown and described.

DESCRIPTION

FIG. 1 is a top, front perspective view of a door pull according to my new design;
FIG. 2 is a top plan view thereof;
FIG. 3 is a bottom plan view thereof;
FIG. 4 is a right side elevational view thereof, the left side elevational view being a mirror image thereof;
FIG. 5 is an end view thereof; and,
FIG. 6 is an opposite end view thereof.

1 Claim, 3 Drawing Sheets



(56)

References Cited

U.S. PATENT DOCUMENTS

D718,841	S	*	12/2014	Garland	D23/252
D718,843	S	*	12/2014	Garland	D23/255
D721,165	S	*	1/2015	Downey	D23/255
D734,121	S	*	7/2015	Schneider	D8/308
D734,122	S	*	7/2015	Hsu	D8/308
D745,360	S	*	12/2015	Sun	D8/308
2014/0001779	A1	*	1/2014	Bedoian	E05B 1/003 292/336.3
2016/0002954	A1	*	1/2016	Ali	E05B 63/08 292/336.3

* cited by examiner

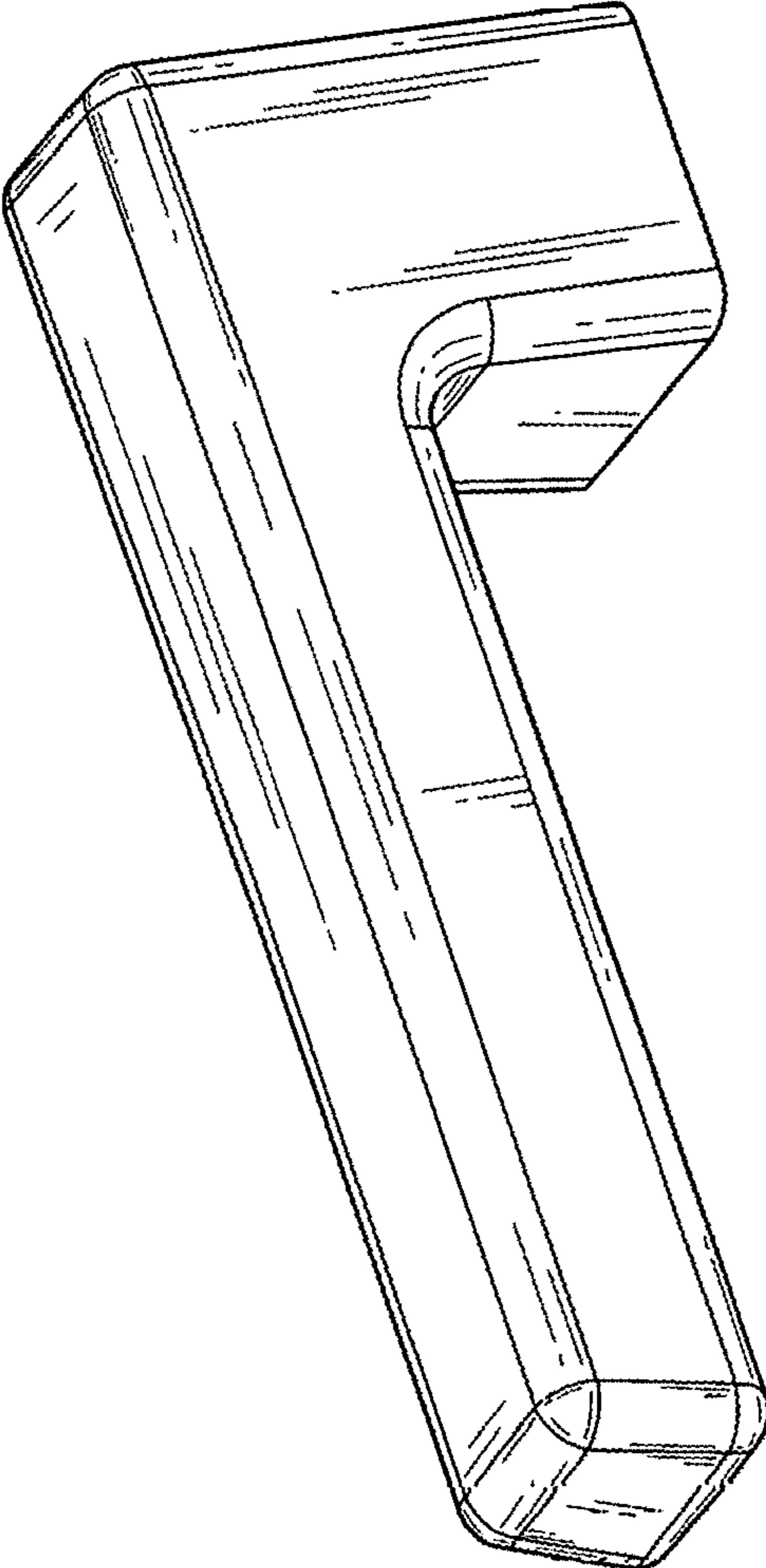


FIG. 1

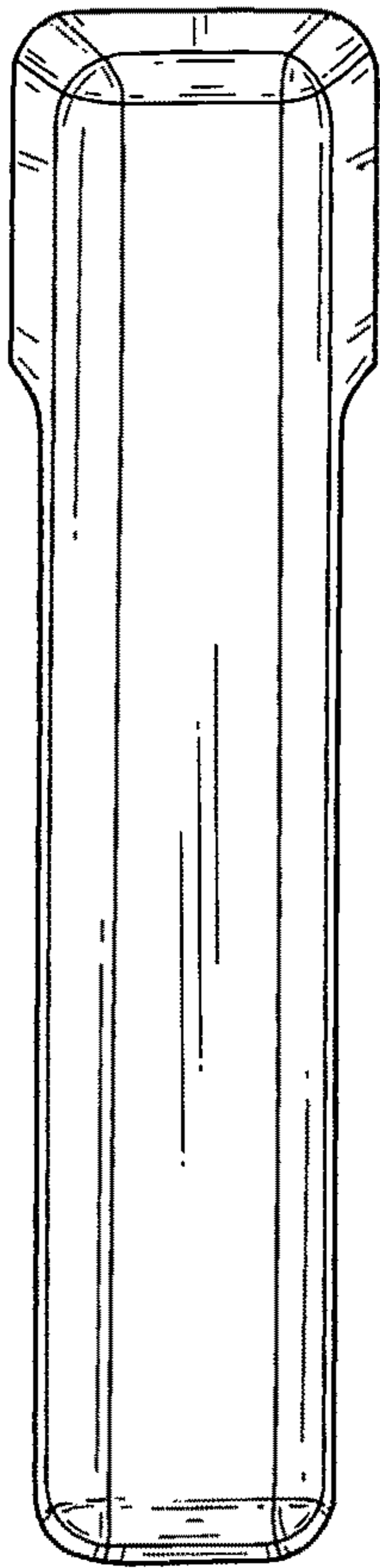


FIG. 2

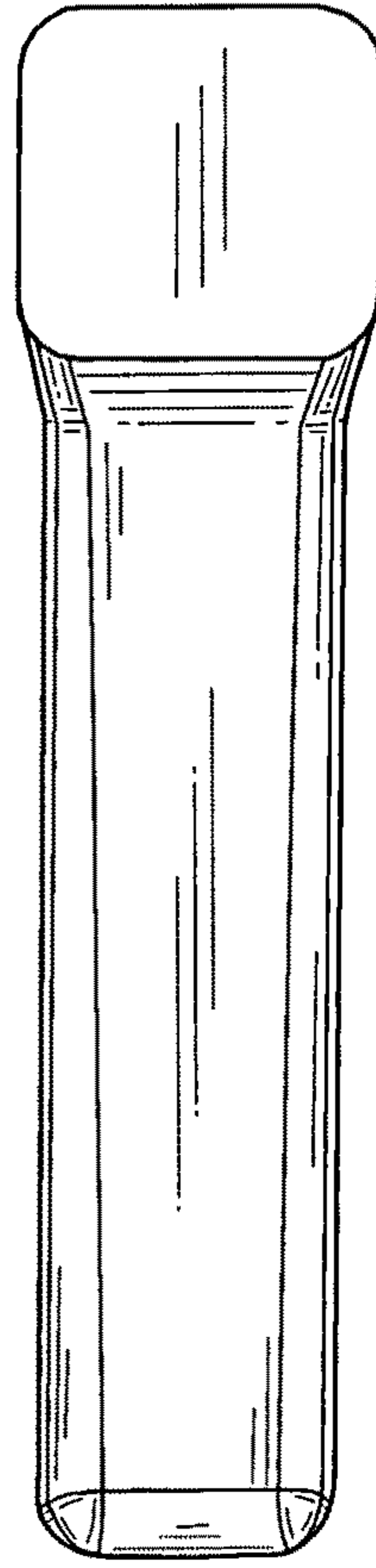


FIG. 3

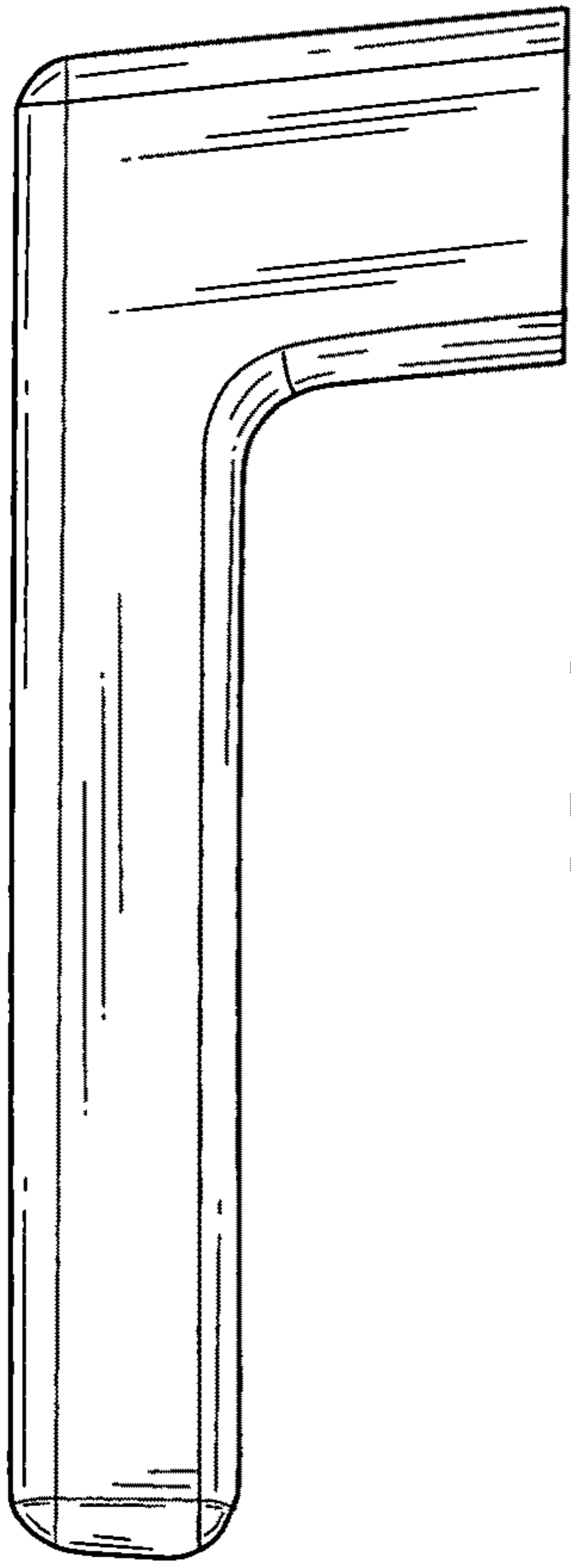


FIG. 4

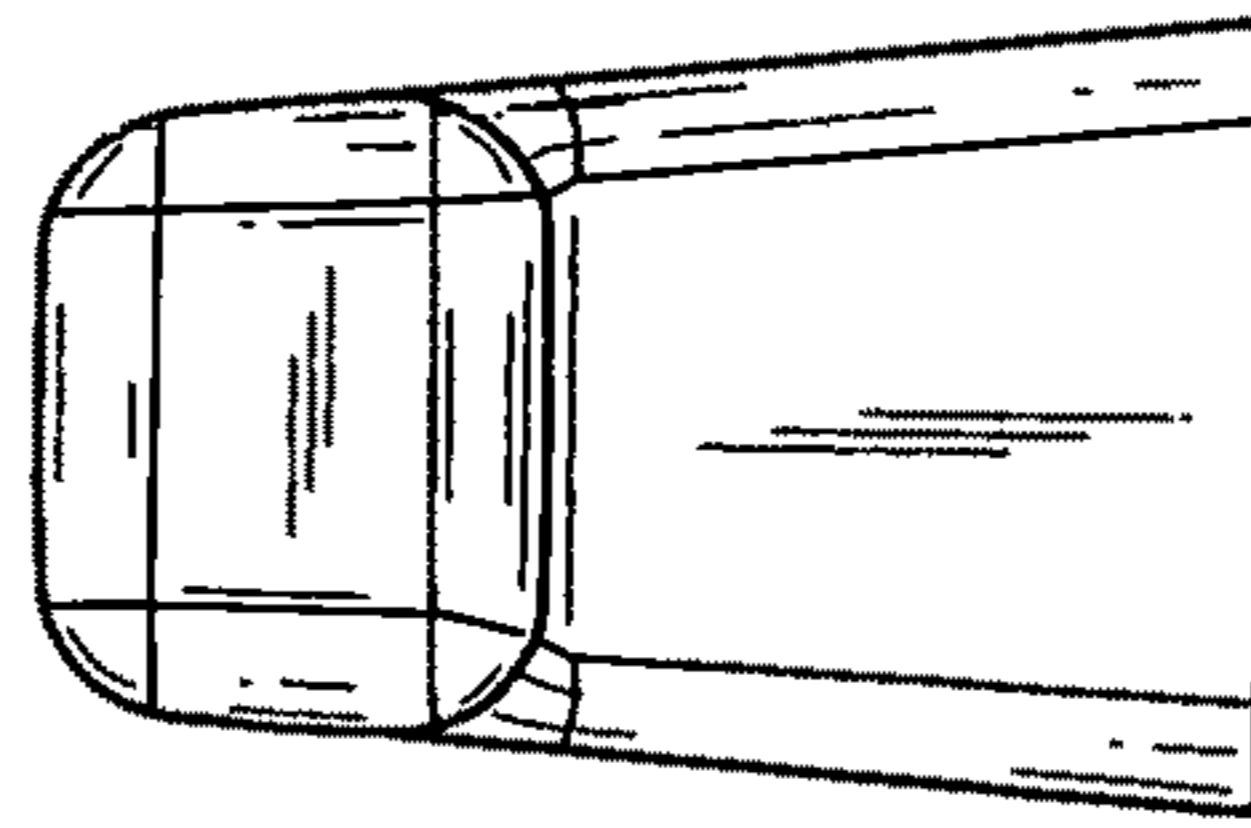


FIG. 5



FIG. 6