



US00D785432S

(12) **United States Design Patent** (10) **Patent No.:** **US D785,432 S**  
**Ju** (45) **Date of Patent:** **\*\* May 2, 2017**

(54) **STRUCTURE FASTENING VISE**  
(71) Applicant: **Jae Sung Ju**, Daejeon (KR)  
(72) Inventor: **Jae Sung Ju**, Daejeon (KR)  
(\*\*) Term: **15 Years**

(21) Appl. No.: **35/500,363**  
(22) Filed: **Jun. 16, 2015**

(80) **Hague Agreement Data**  
Int. Filing Date: **Jun. 16, 2015**  
Int. Reg. No.: **DM/087377**  
Int. Reg. Date: **Jun. 16, 2015**  
Int. Reg. Pub. Date: **Dec. 18, 2015**

(30) **Foreign Application Priority Data**

May 7, 2015 (KR) ..... 30-2015-0023183

(51) **LOC (10) Cl.** ..... **08-05**

(52) **U.S. Cl.**  
USPC ..... **D8/74**

(58) **Field of Classification Search**  
USPC ..... D8/59, 71-74, 354, 355, 356, 394-399;  
D6/684; D7/683, 685, 686; D15/140;  
D24/143  
CPC ..... B25B 1/00; B25B 5/00; B25B 1/103  
See application file for complete search history.

(56) **References Cited**

**U.S. PATENT DOCUMENTS**

D254,376 S \* 3/1980 Glomb ..... D15/140  
D261,609 S \* 11/1981 Roux ..... 269/236  
D282,143 S \* 1/1986 Tarquinio ..... D8/74  
D286,609 S \* 11/1986 Hickman ..... D8/74  
D287,457 S \* 12/1986 Listes ..... D8/74  
D355,114 S \* 2/1995 Wizman ..... D8/71  
D406,036 S \* 2/1999 Flachslander ..... D8/74  
D417,599 S \* 12/1999 Wolfe ..... D8/74  
D420,880 S \* 2/2000 Lavigne ..... D8/74

D421,208 S \* 2/2000 Lavigne ..... D8/74  
D422,868 S \* 4/2000 Lavigne ..... D8/74  
D435,772 S \* 1/2001 Lavigne ..... D8/74  
D436,012 S \* 1/2001 Lavigne ..... D8/74  
6,361,034 B1 \* 3/2002 Wolfe ..... B25B 1/2463  
269/247  
6,672,578 B1 \* 1/2004 Martens ..... B25B 1/2452  
269/261  
D595,102 S \* 6/2009 Francis ..... D8/74  
D640,521 S \* 6/2011 Tschida ..... D8/74  
D671,812 S \* 12/2012 Jones ..... D8/74  
D685,827 S \* 7/2013 Sun ..... D15/140  
D716,627 S \* 11/2014 Lin ..... D8/74  
D726,519 S \* 4/2015 Huang ..... D8/74  
8,998,190 B2 \* 4/2015 Winn ..... B25B 1/2405  
269/271  
2003/0197319 A1 \* 10/2003 Ho ..... B25B 5/08  
269/246  
2012/0043711 A1 \* 2/2012 Schmidt ..... B25B 1/103  
269/136  
2012/0169000 A1 \* 7/2012 Lin ..... B25B 1/24  
269/216

\* cited by examiner

*Primary Examiner* — Darlington Ly

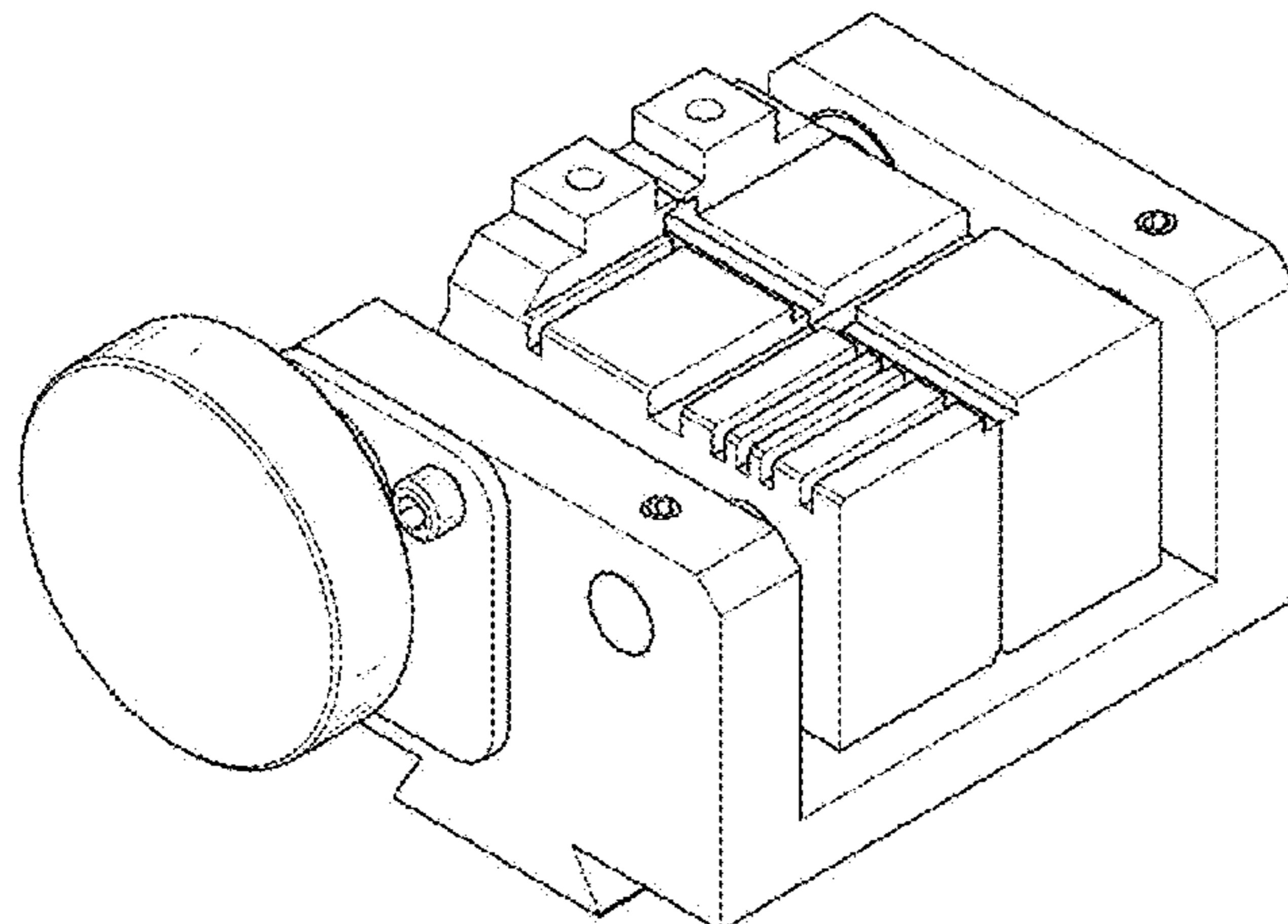
(57) **CLAIM**

The ornamental design for a structure fastening vise, as shown and described.

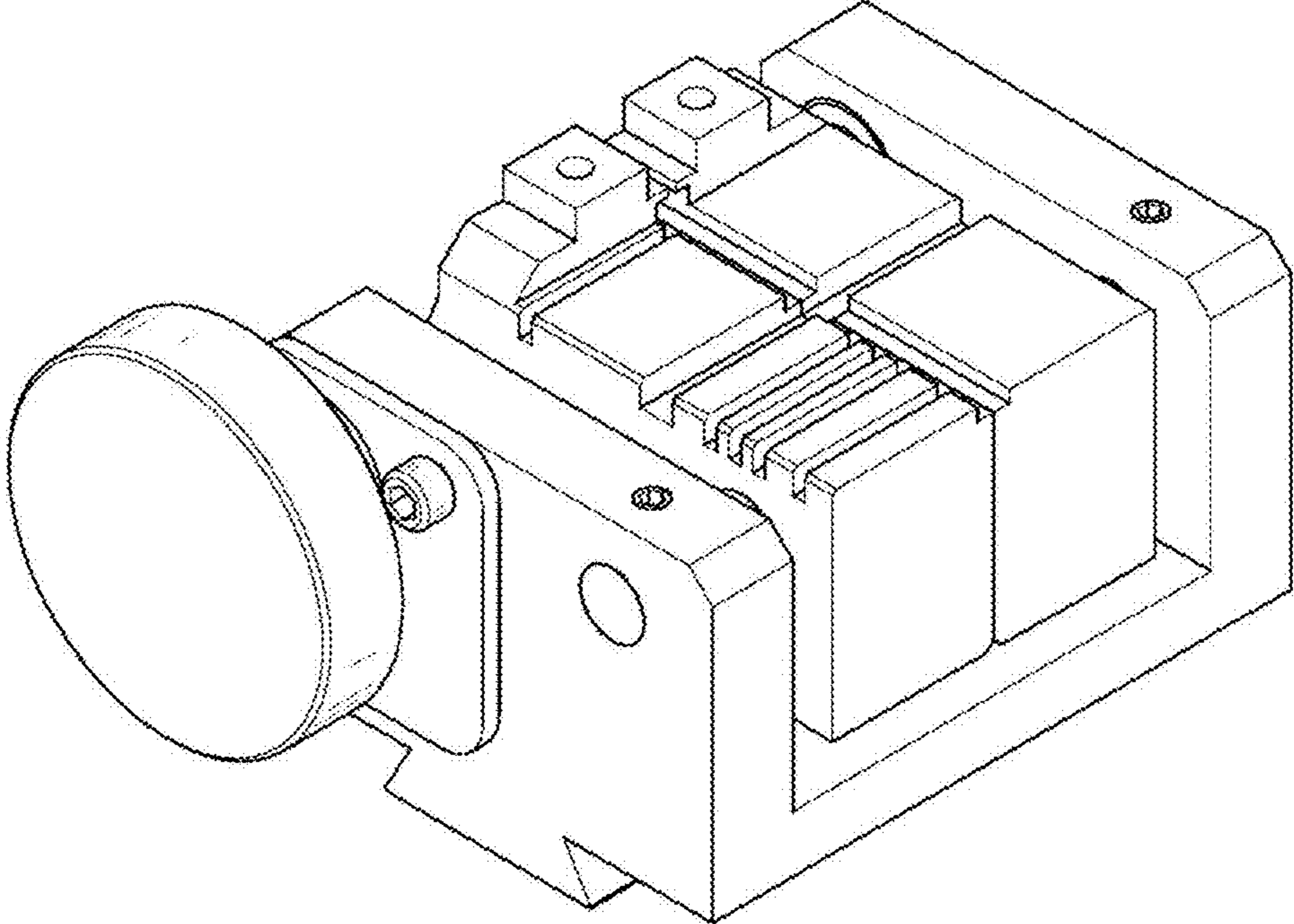
**DESCRIPTION**

1. Structure fastening vise  
1.1 is a top, front and right side perspective view of the structure fastening vise showing my new design;  
1.2 is a front elevation view thereof;  
1.3 is a rear elevation view thereof;  
1.4 is a right side elevation view thereof;  
1.5 is a top plan view thereof; and  
1.6 is a bottom plan view thereof.  
The broken lines in the reproductions/drawings illustrate portions of the structure fastening vise that form no part of the claimed design.

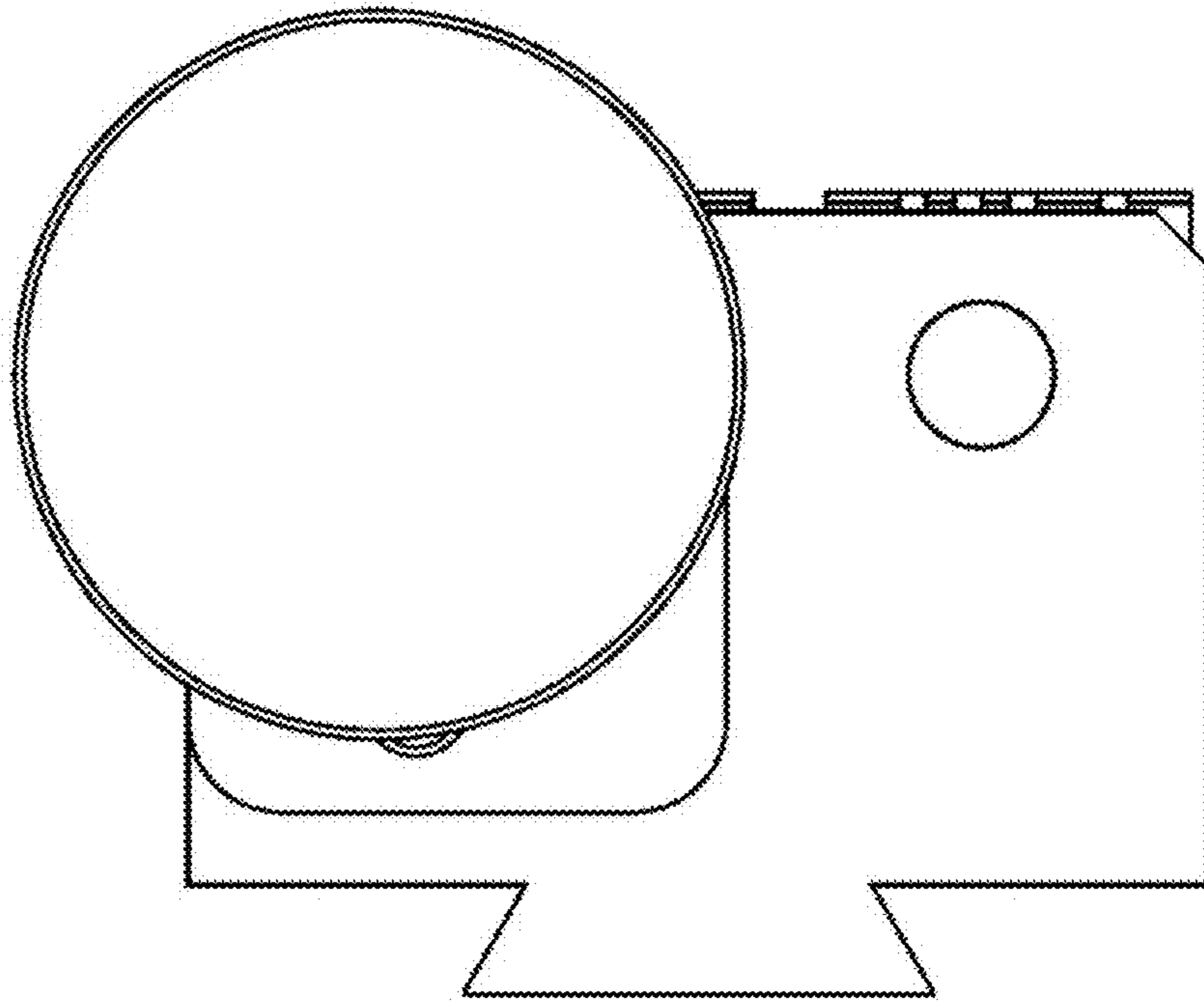
**1 Claim, 6 Drawing Sheets**



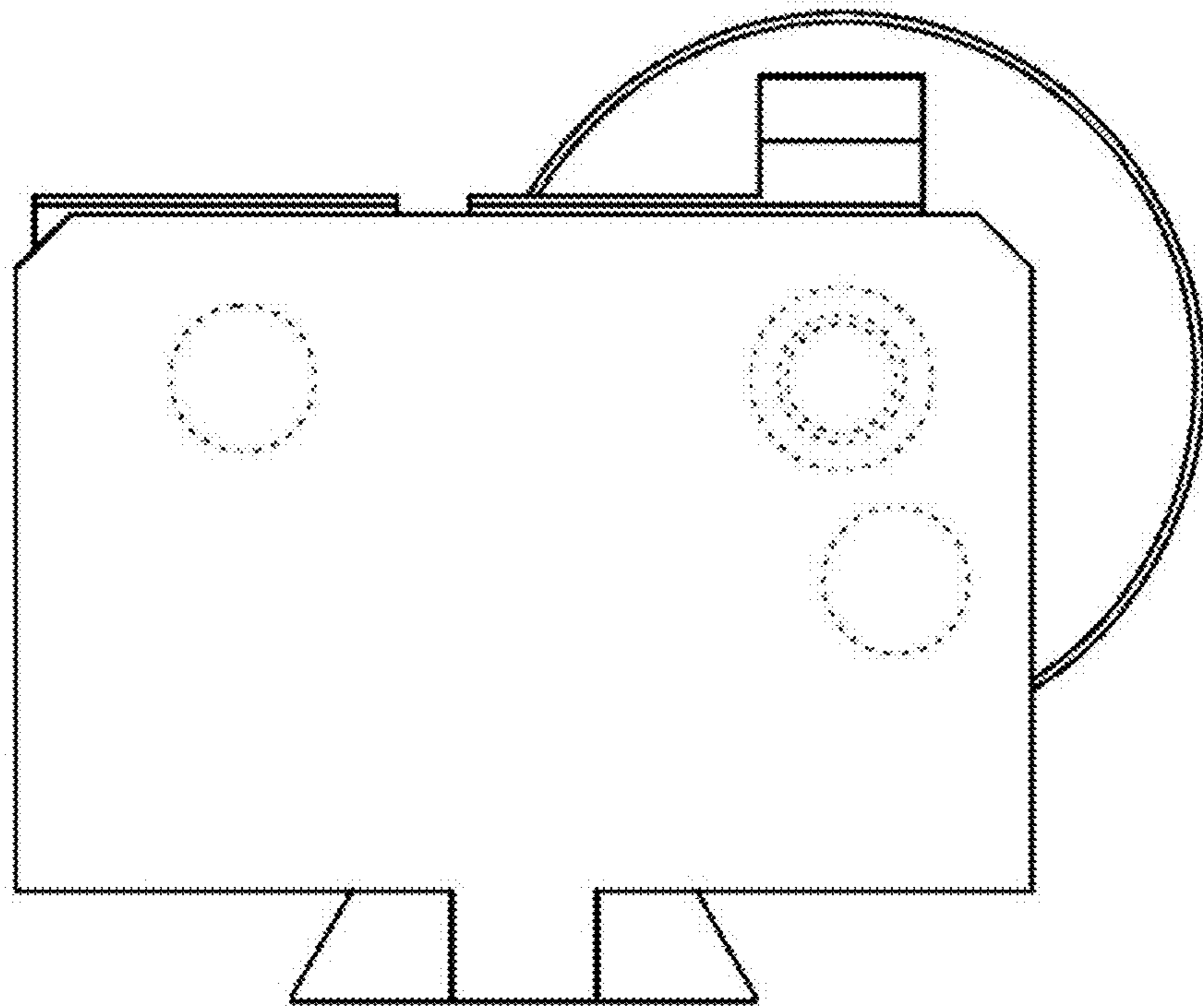
1.1



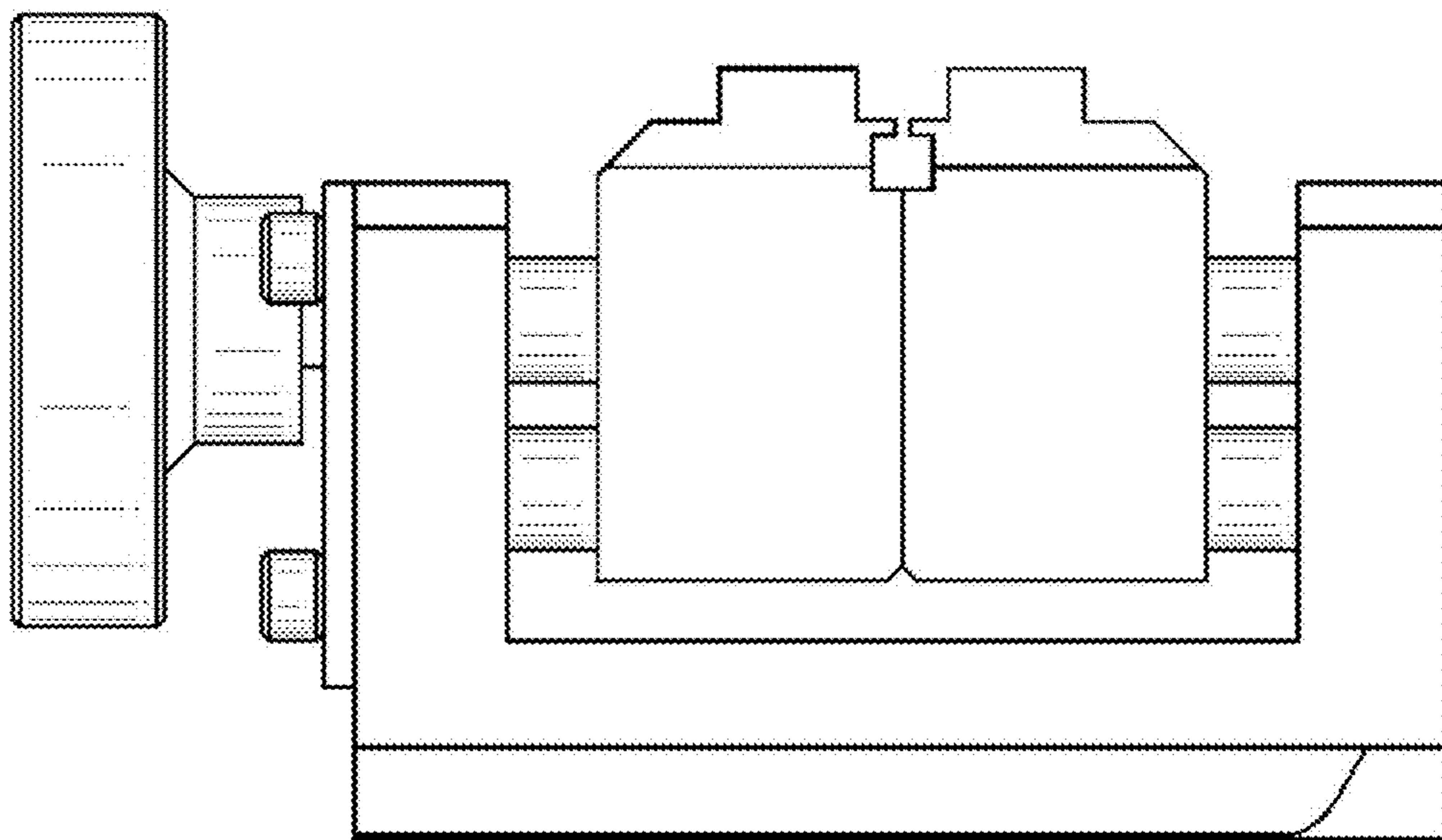
1.2



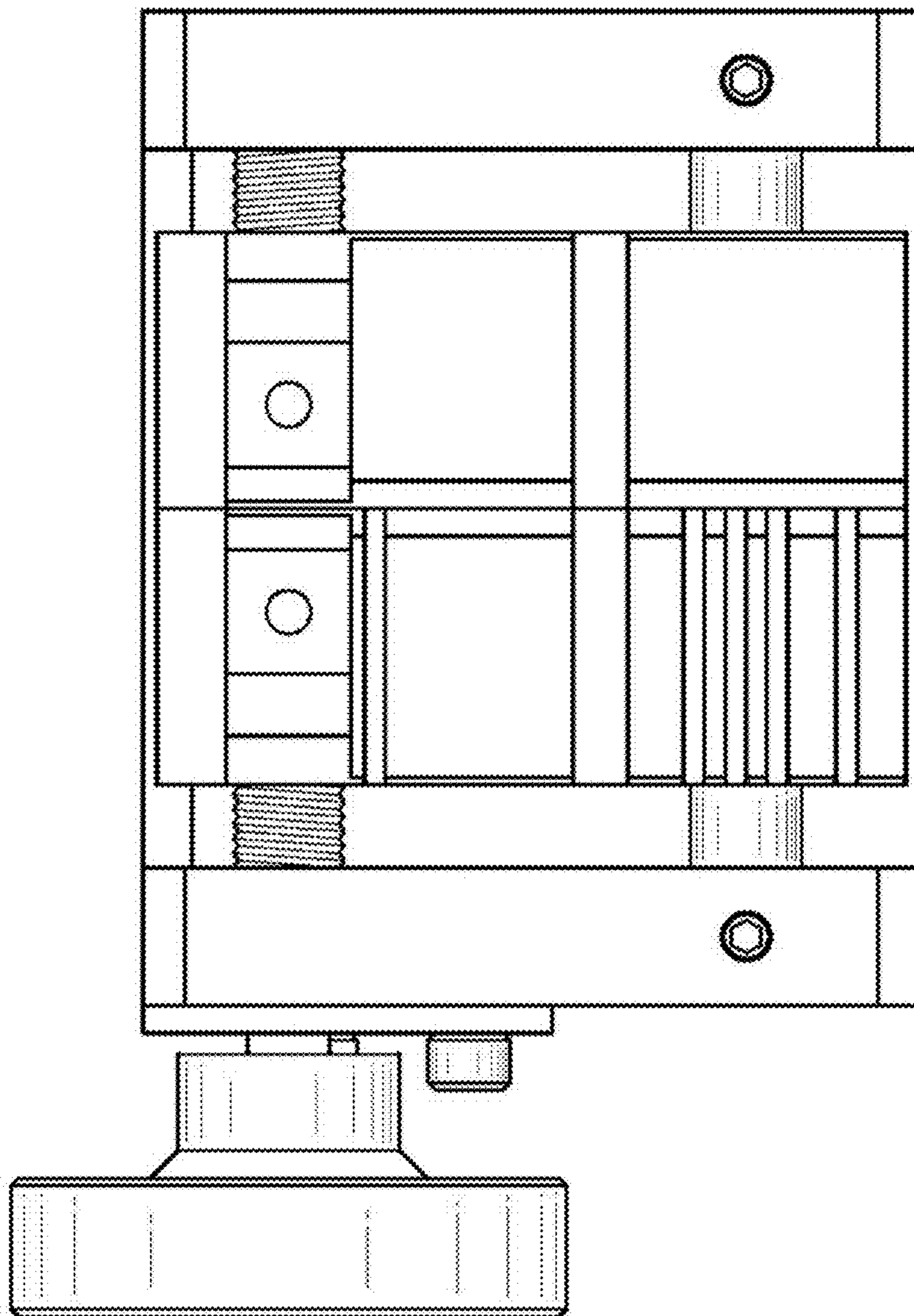
1.3



1.4



1.5



1.6

