



US00D785431S

(12) **United States Design Patent**  
**Lee**

(10) **Patent No.:** **US D785,431 S**

(45) **Date of Patent:** **\*\* May 2, 2017**

- (54) **MACHINE VISE**
- (71) Applicant: **Steven Lee**, Rancho Palos Verdes, CA (US)
- (72) Inventor: **Steven Lee**, Rancho Palos Verdes, CA (US)
- (73) Assignee: **Glacern Machine Tools, LLC**, Los Angeles, CA (US)

6,045,126 A *	4/2000	Brzezinski	.....	B25B 1/2452
				269/240
D435,772 S *	1/2001	Lavigne	.....	D8/74
D437,200 S *	2/2001	Lavigne	.....	D8/74
6,361,034 B1 *	3/2002	Wolfe	.....	B25B 1/2463
				269/247
D640,521 S *	6/2011	Tschida	.....	D8/74
D646,543 S *	10/2011	Galle	.....	D8/74
D685,827 S *	7/2013	Sun	.....	D15/140
D716,627 S *	11/2014	Lin	.....	D8/74
D726,519 S *	4/2015	Huang	.....	D8/74

(\*\*) Term: **14 Years**

\* cited by examiner

(21) Appl. No.: **29/488,563**

*Primary Examiner* — David Muller

(22) Filed: **Apr. 21, 2014**

(57) **CLAIM**

(51) **LOC (10) Cl.** ..... **08-05**

The ornamental design for a machine vise, as shown and described.

(52) **U.S. Cl.**

USPC ..... **D8/74**

**DESCRIPTION**

(58) **Field of Classification Search**

USPC ..... D8/71-74, 394-399, 59; 248/63, 72, 248/74.1, 689, 124.2; 81/487, 385, 386, 81/388-390; 269/3, 4, 6, 143, 165, 240, 269/243, 246-249, 254 R, 147-149; 29/256, 257, 276; 408/103, 104-109

CPC ..... B25B 1/00; B25B 5/00

See application file for complete search history.

FIG. 1 shows a front isometric view of a machine vise embodying my new design;  
FIG. 2 shows a rear isometric view thereof;  
FIG. 3 shows a bottom, front isometric view thereof;  
FIG. 4 shows a bottom, rear isometric view thereof;  
FIG. 5 shows a top plan view thereof;  
FIG. 6 shows a bottom plan view thereof;  
FIG. 7 shows a left side elevational view thereof;  
FIG. 8 shows a right side elevational view thereof;  
FIG. 9 shows a front elevational view thereof; and,  
FIG. 10 shows a rear elevational view thereof.

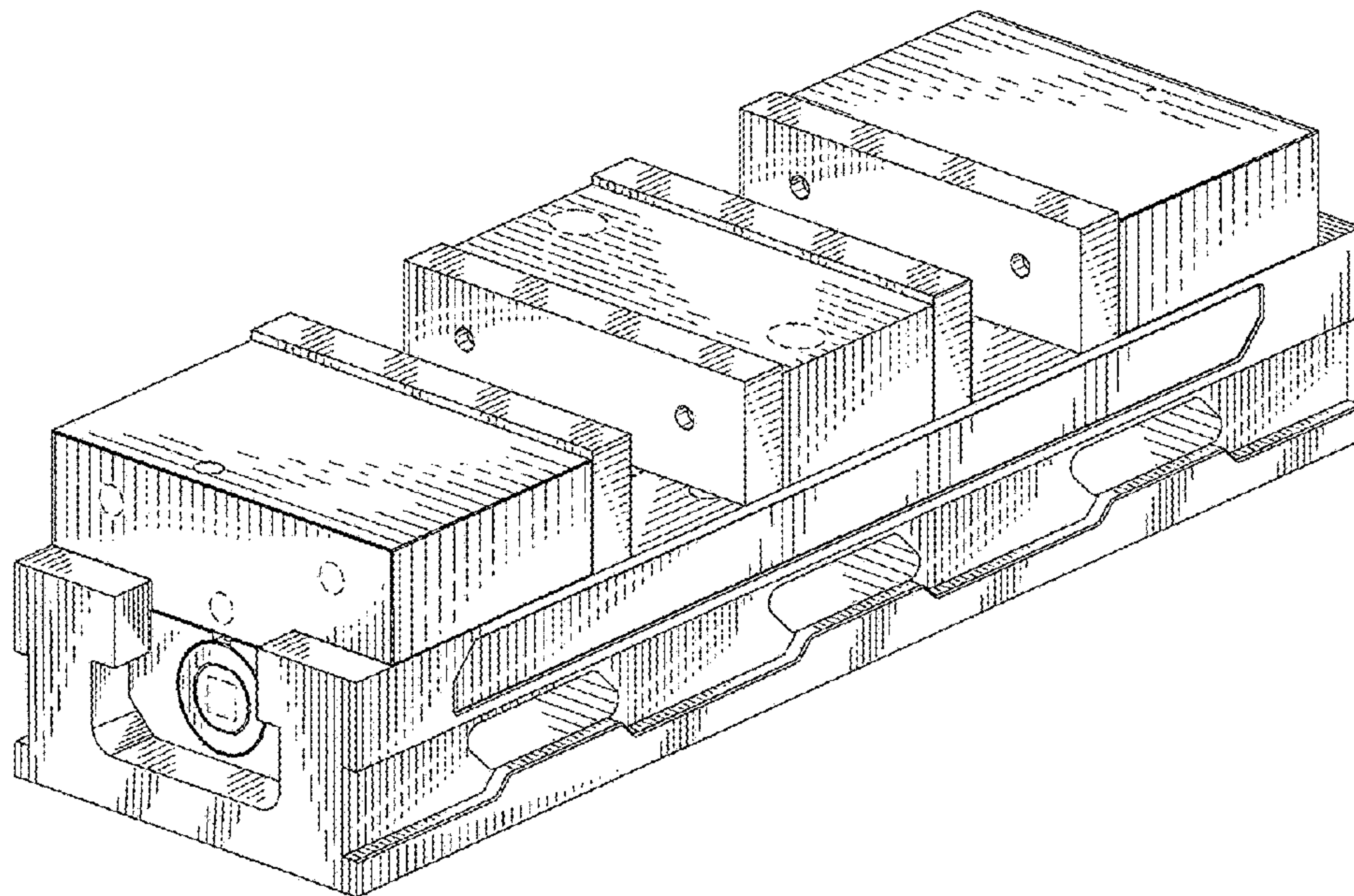
(56) **References Cited**

**U.S. PATENT DOCUMENTS**

D254,376 S *	3/1980	Glomb	.....	D15/140
D255,643 S *	7/1980	Speiser	.....	D8/74
D287,457 S *	12/1986	Listes	.....	D8/74
D417,599 S *	12/1999	Wolfe	.....	D8/74
D421,208 S *	2/2000	Lavigne	.....	D8/74
D422,868 S *	4/2000	Lavigne	.....	D8/74

The broken line showing of parts of the drawings is included for the purpose of illustrating use and environment and forms no part of the claimed design.

**1 Claim, 8 Drawing Sheets**



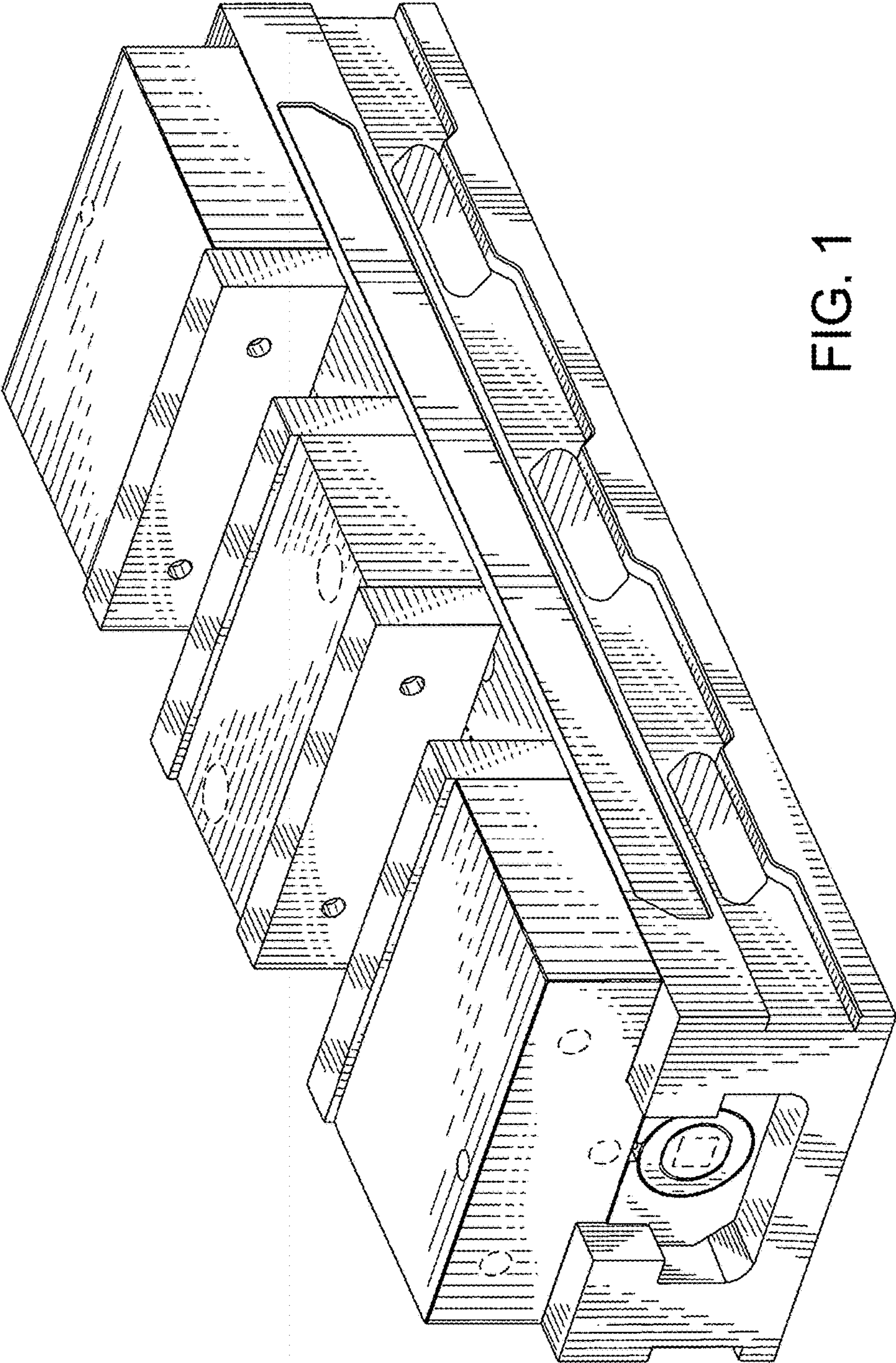


FIG. 1



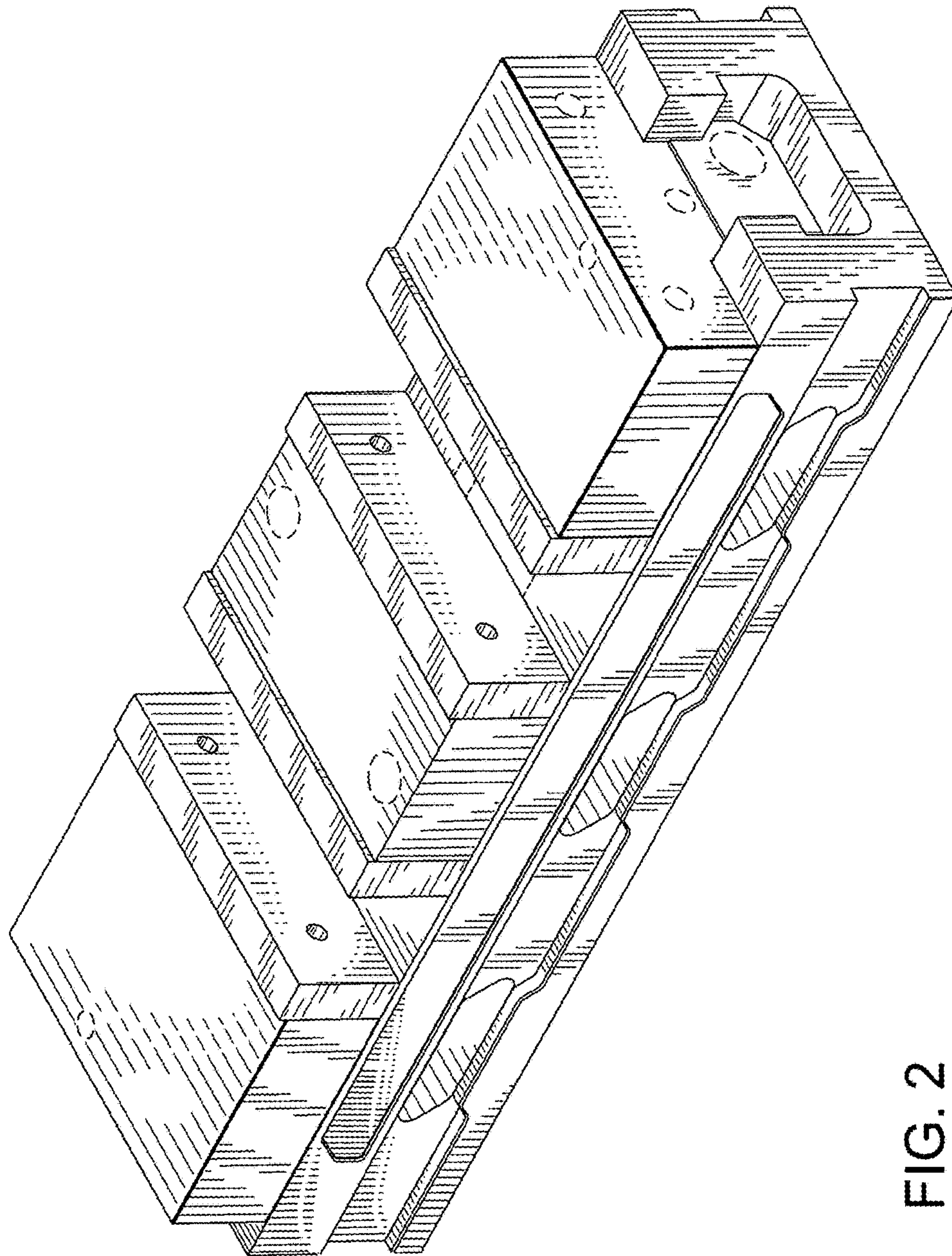


FIG. 2

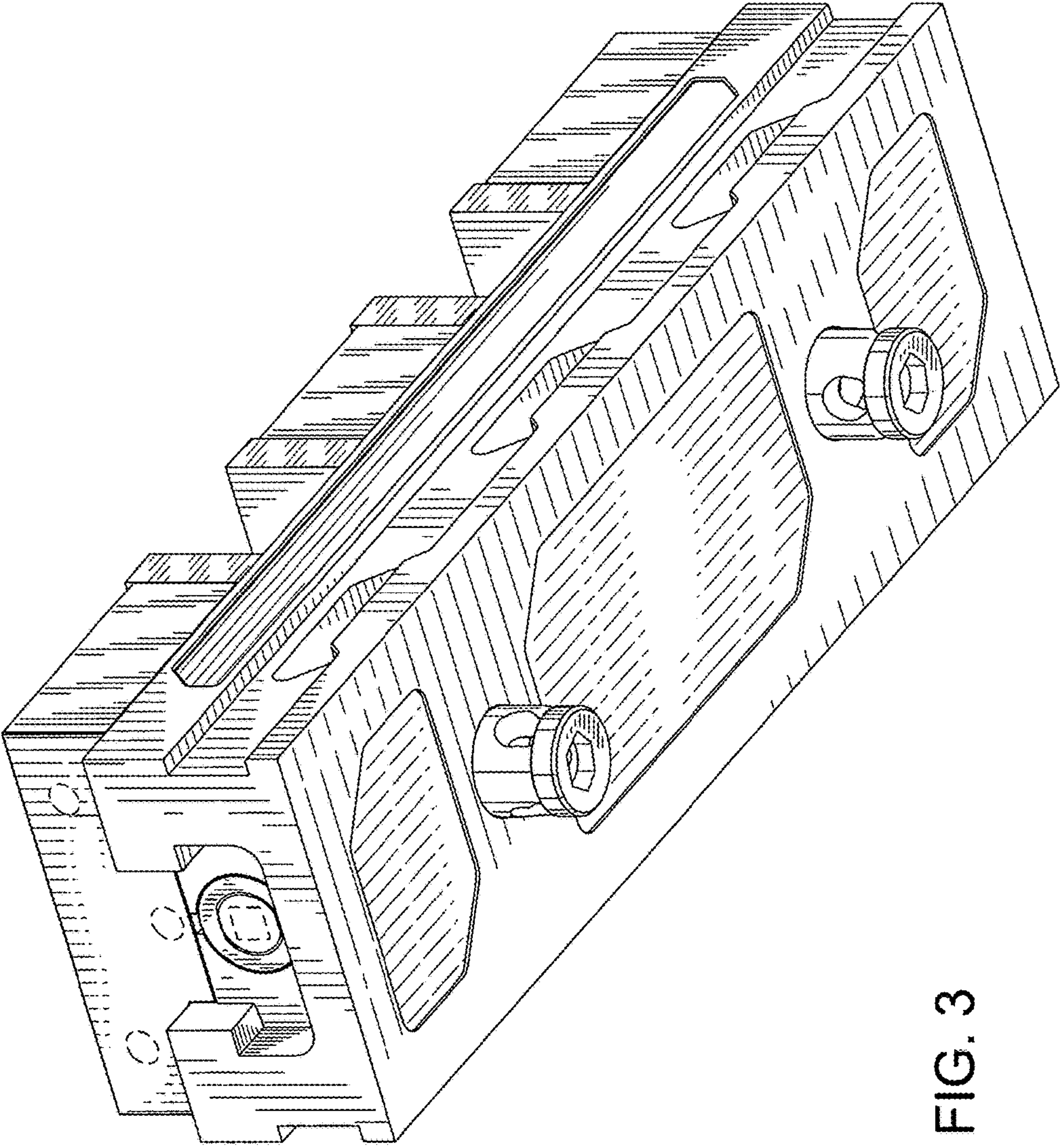


FIG. 3



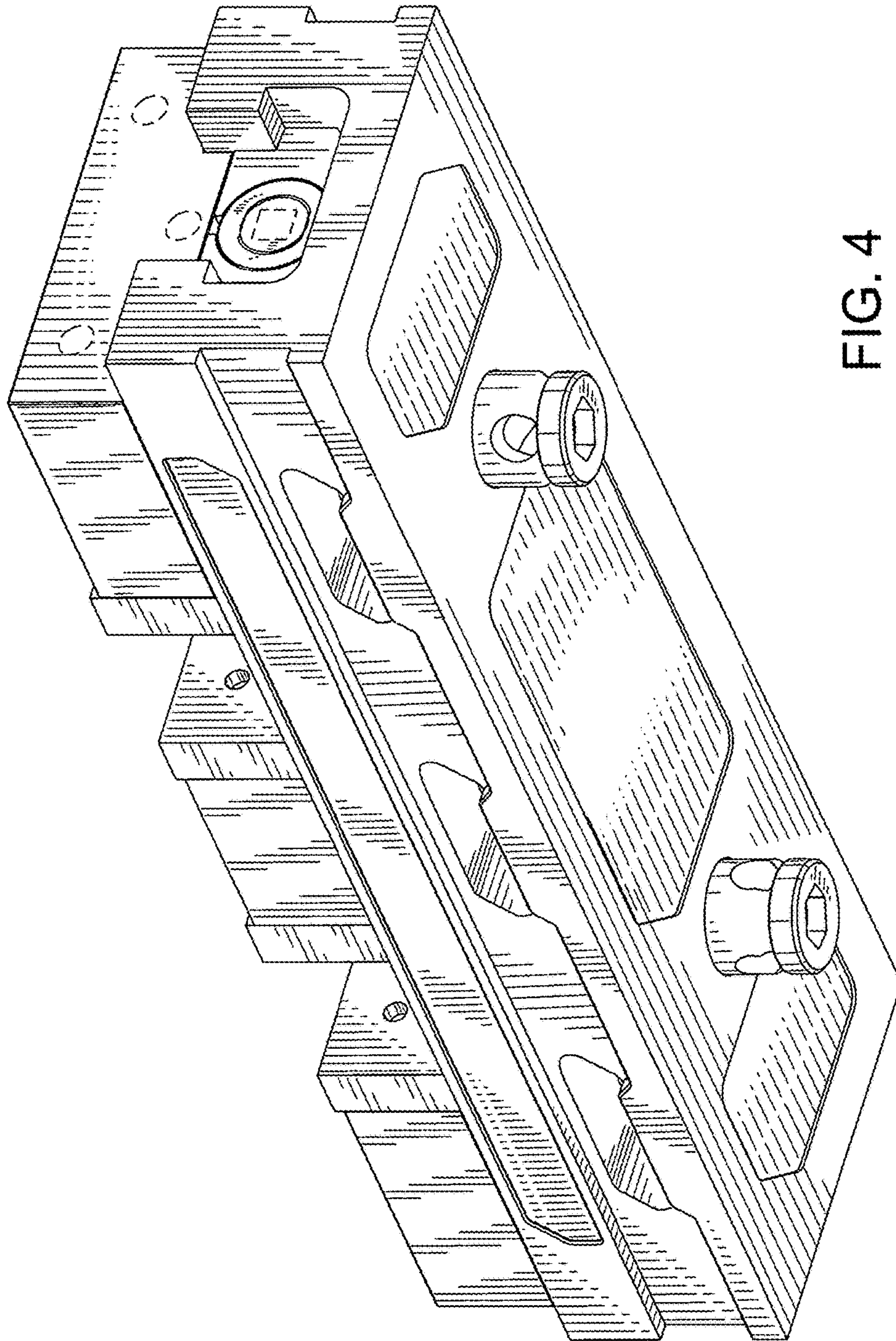


FIG. 4

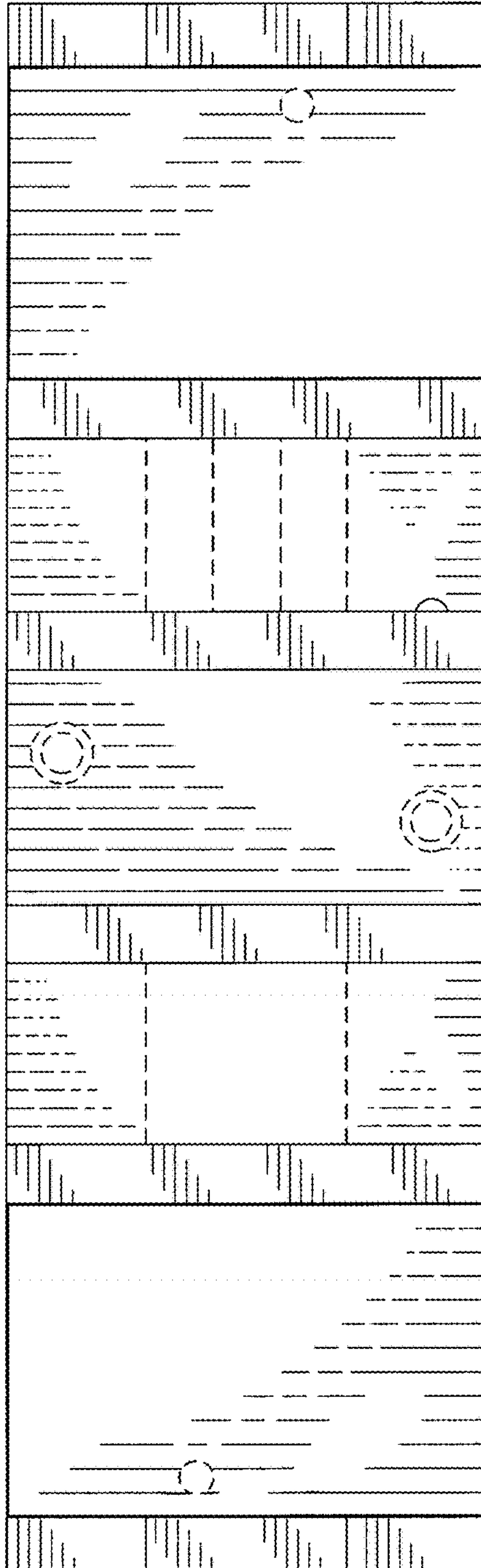


FIG. 5

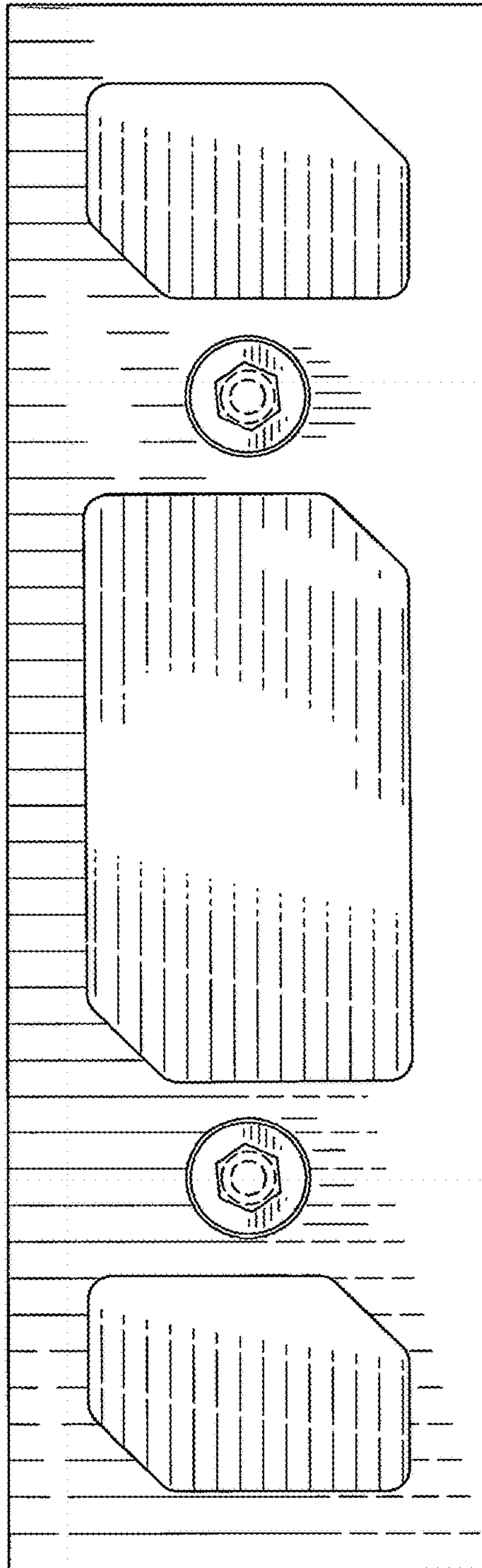


FIG. 6



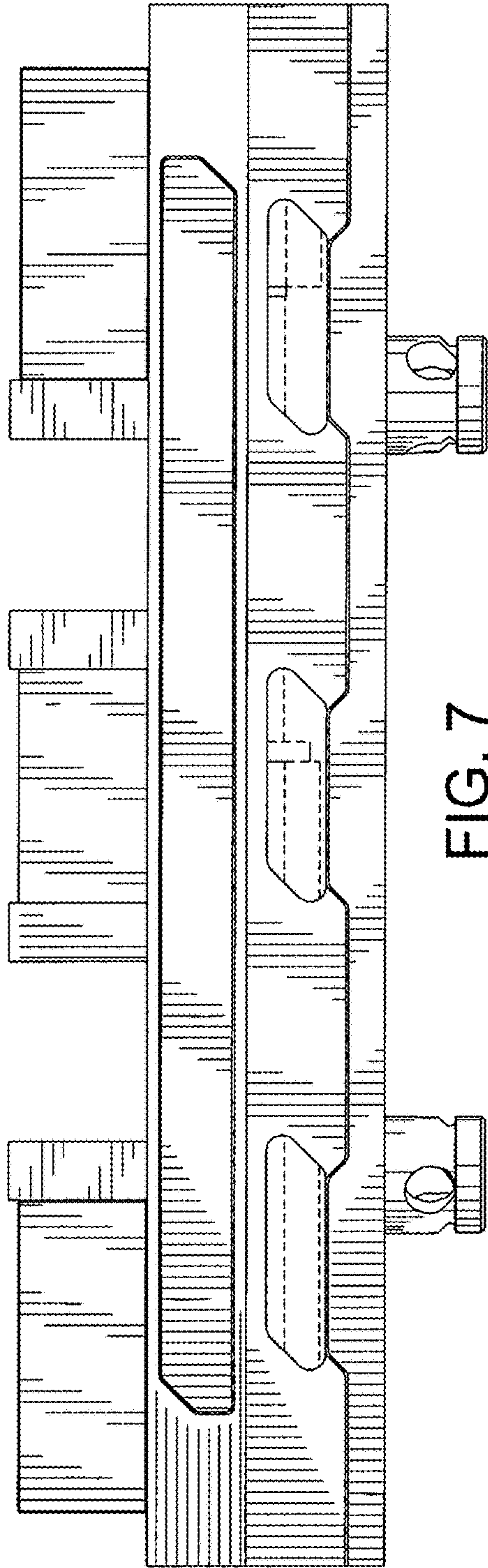


FIG. 7

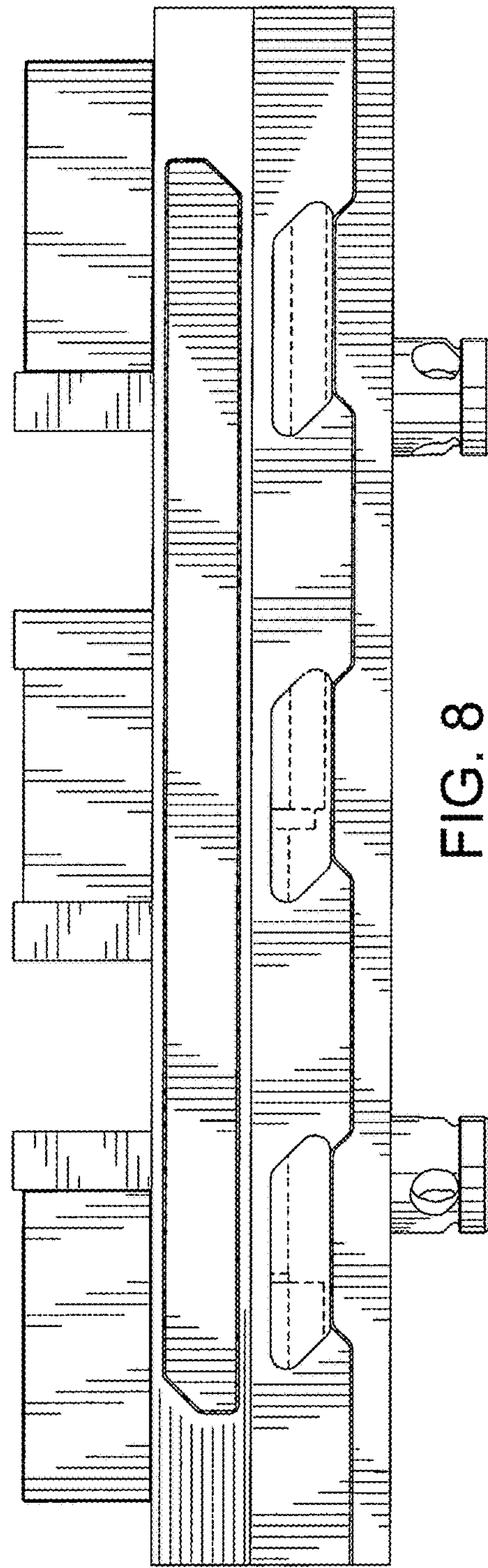


FIG. 8



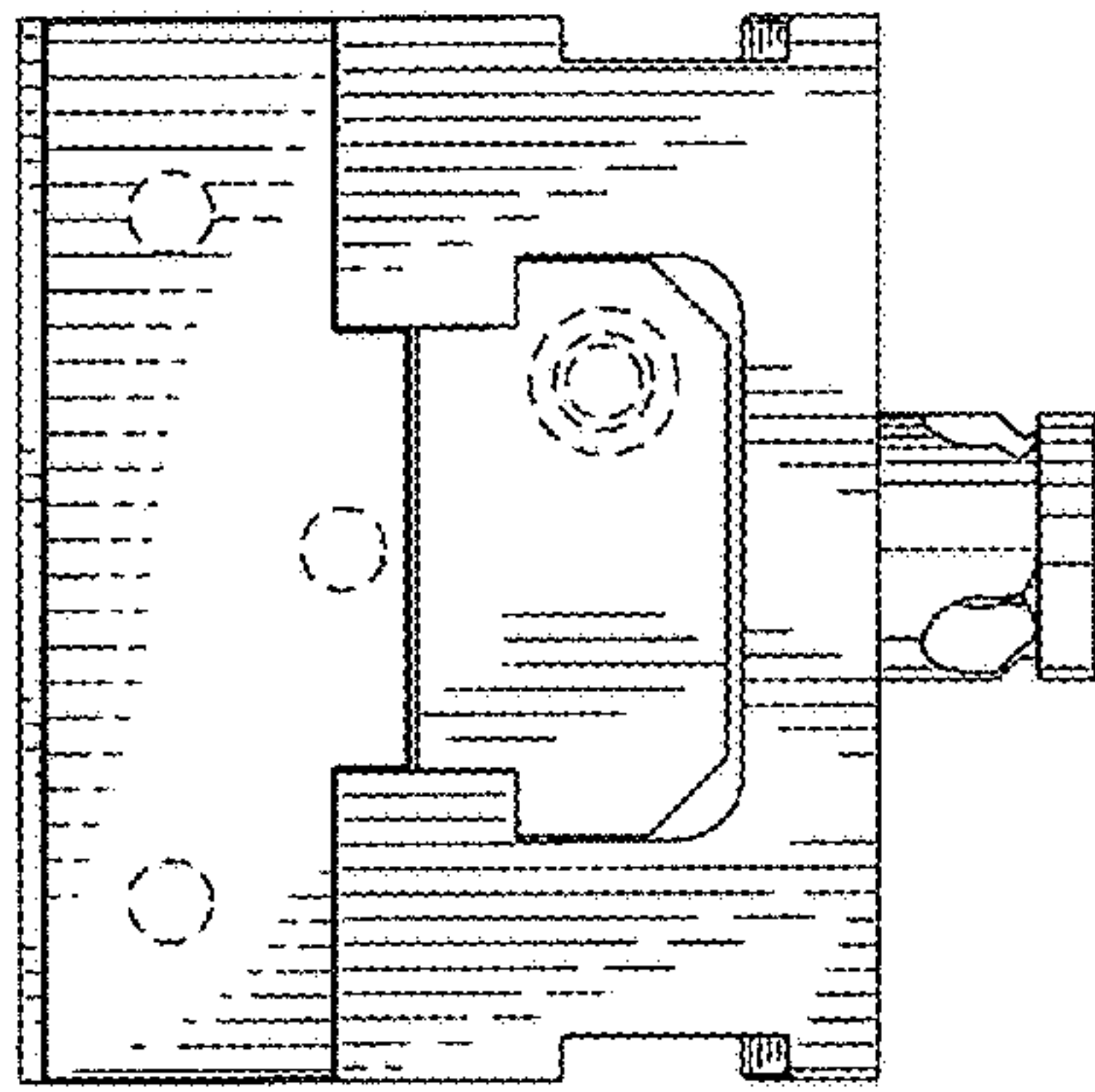


FIG. 10

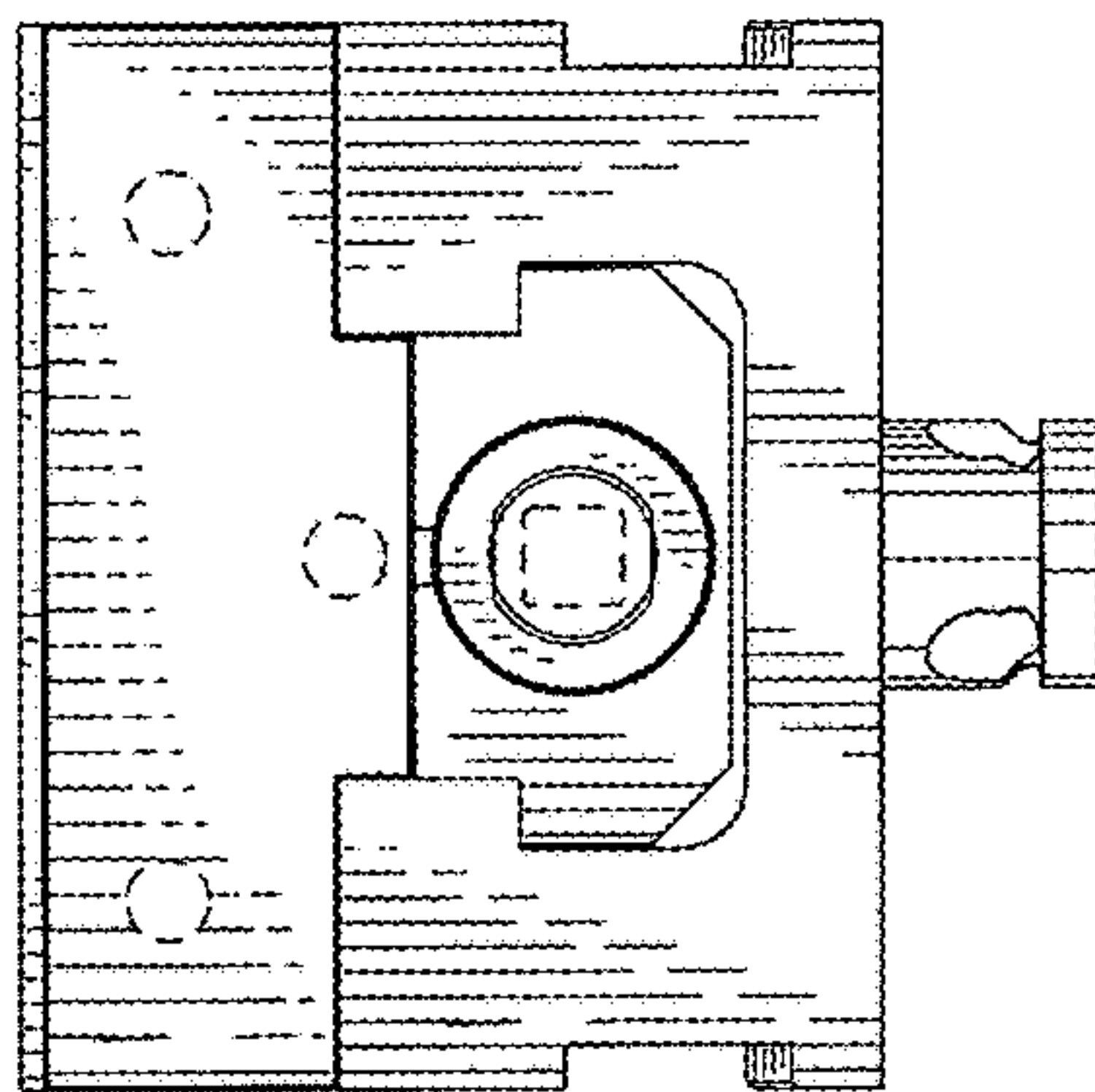


FIG. 9