



US00D785430S

(12) **United States Design Patent** (10) **Patent No.:** **US D785,430 S**
Ou (45) **Date of Patent:** **** May 2, 2017**

(54) **TOOL HOLDER**

(71) Applicant: **Yu-Hua Ou**, Taichung (TW)

(72) Inventor: **Yu-Hua Ou**, Taichung (TW)

(**) Term: **15 Years**

(21) Appl. No.: **29/564,809**

(22) Filed: **May 16, 2016**

(51) **LOC (10) Cl.** **08-05**

(52) **U.S. Cl.**
USPC **D8/71**

(58) **Field of Classification Search**
USPC D3/204, 218, 226, 230, 232, 243, 245,
D3/246, 247, 249, 272, 273, 275, 276,
D3/283-285, 289, 290, 299, 303, 315,
D3/294-296, 903; 206/378, 372; D8/71
CPC . B25H 3/02; B25H 3/003; B25H 3/04; B25H
3/026; B25H 5/00; B25H 1/04
See application file for complete search history.

(56) **References Cited**

U.S. PATENT DOCUMENTS

D352,219 S *	11/1994	Chow	D8/71
6,092,656 A *	7/2000	Ernst	B25H 3/06 206/378
D443,160 S *	6/2001	Ernst	D6/553
6,742,653 B2 *	6/2004	Kao	A47F 5/0861 206/373
D566,508 S *	4/2008	Lin	D8/71
D651,883 S *	1/2012	Huang	D8/71
D652,280 S *	1/2012	Huang	D8/71
8,205,758 B2 *	6/2012	Shih	A47F 7/0028 206/378
D710,668 S *	8/2014	Wu	D8/71
D730,053 S *	5/2015	Ou	D3/315
D730,054 S *	5/2015	Ou	D3/315
D730,055 S *	5/2015	Ou	D3/315
9,180,590 B1 *	11/2015	Ou	B25H 3/003

D754,532 S *	4/2016	Cho	D9/415
D771,945 S *	11/2016	Ou	D3/315
9,539,720 B2 *	1/2017	Ou	B25H 3/003
2016/0107306 A1 *	4/2016	Ou	B25H 3/04 206/349
2016/0107307 A1 *	4/2016	Ou	B25H 3/04 206/349
2017/0001298 A1 *	1/2017	Ou	B25H 3/003

* cited by examiner

Primary Examiner — Lakiya Rogers

Assistant Examiner — Harold E Blackwell, II

(74) *Attorney, Agent, or Firm* — Muncy, Geissler, Olds & Lowe, P.C.

(57) **CLAIM**

I claim the ornamental design for a tool holder, as shown and described.

DESCRIPTION

FIG. 1 is a right, front, top perspective view of a tool holder showing my new design;

FIG. 2 is a front elevational view thereof;

FIG. 3 is a rear elevational view thereof;

FIG. 4 is a left side view thereof;

FIG. 5 is a right side view thereof;

FIG. 6 is a bottom plan view thereof;

FIG. 7 is a left, front, bottom perspective view thereof;

FIG. 8 is a left, rear, bottom perspective view thereof;

FIG. 9 is a right, rear, bottom perspective view thereof; and,

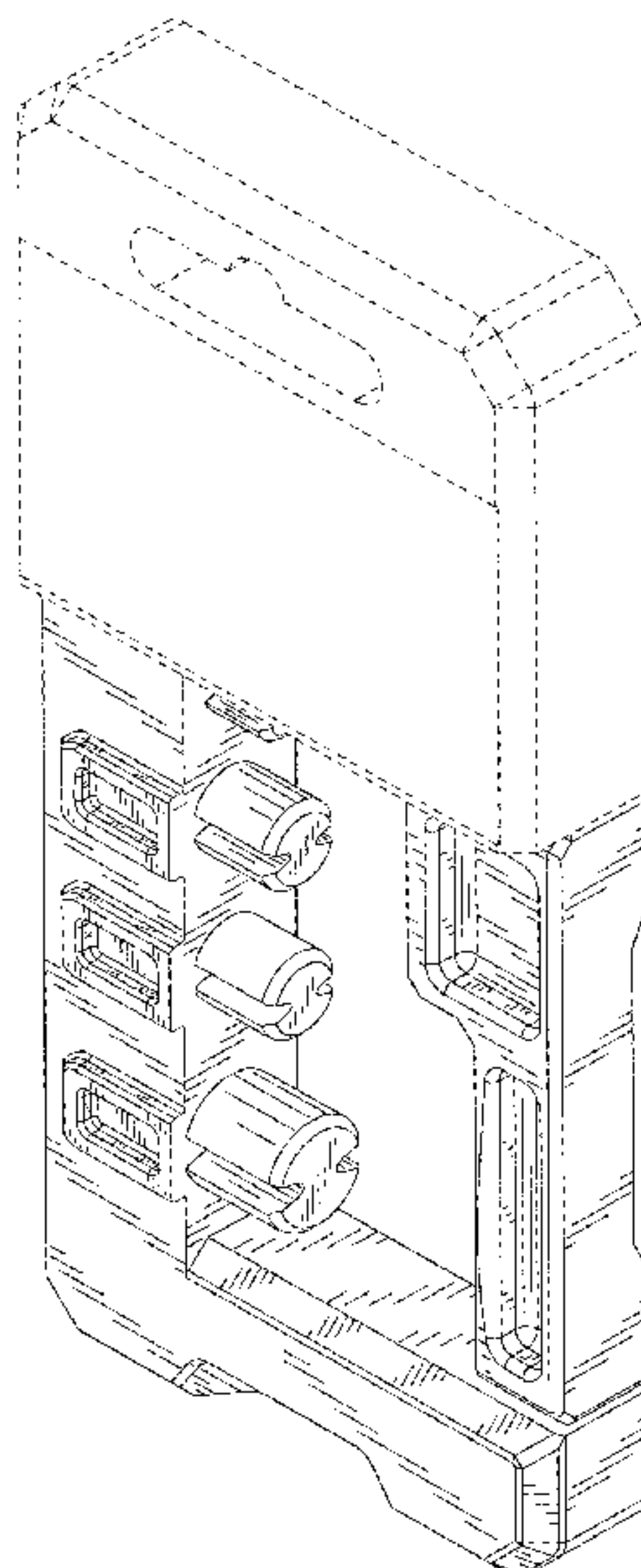
FIG. 10 is a drawing showing the tool holder in use.

The top view is devoid of claimed ornamentation, and is omitted from the drawings.

The broken lines in the drawings illustrate portions of the tool holder which form no part of the claimed design.

The dot-dashed line in defines the boundary of claimed and unclaimed objects, and the dot-dashed line forms no part of the claimed design.

1 Claim, 9 Drawing Sheets



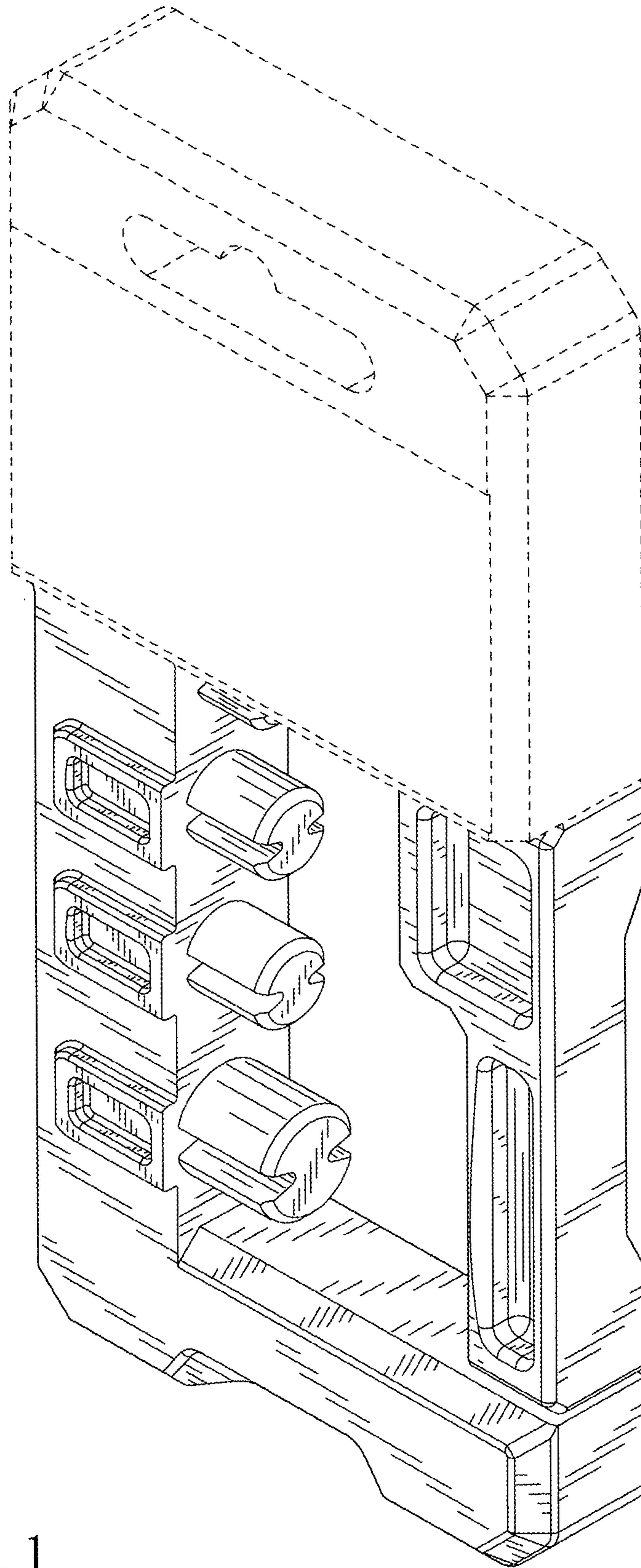


FIG. 1

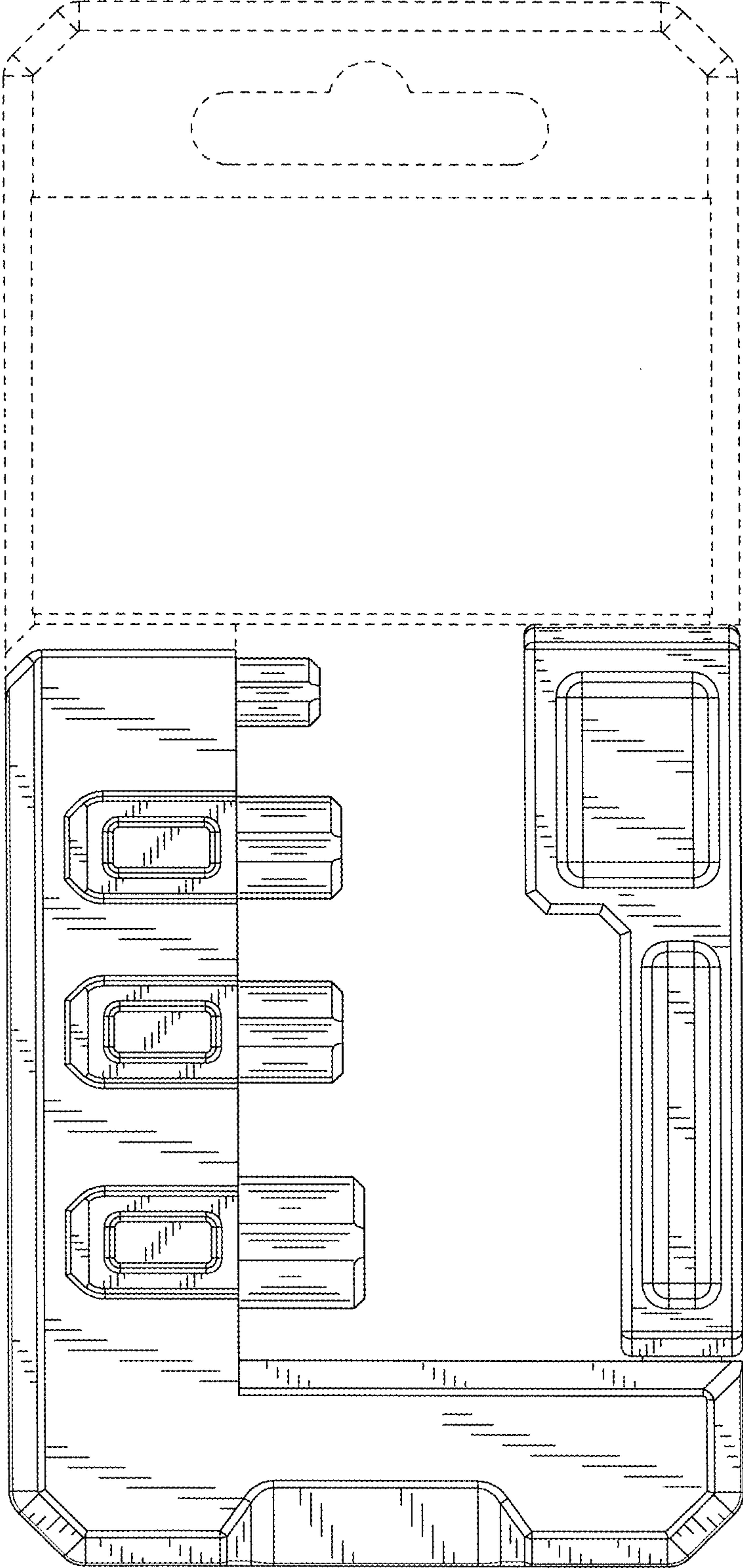


FIG. 2

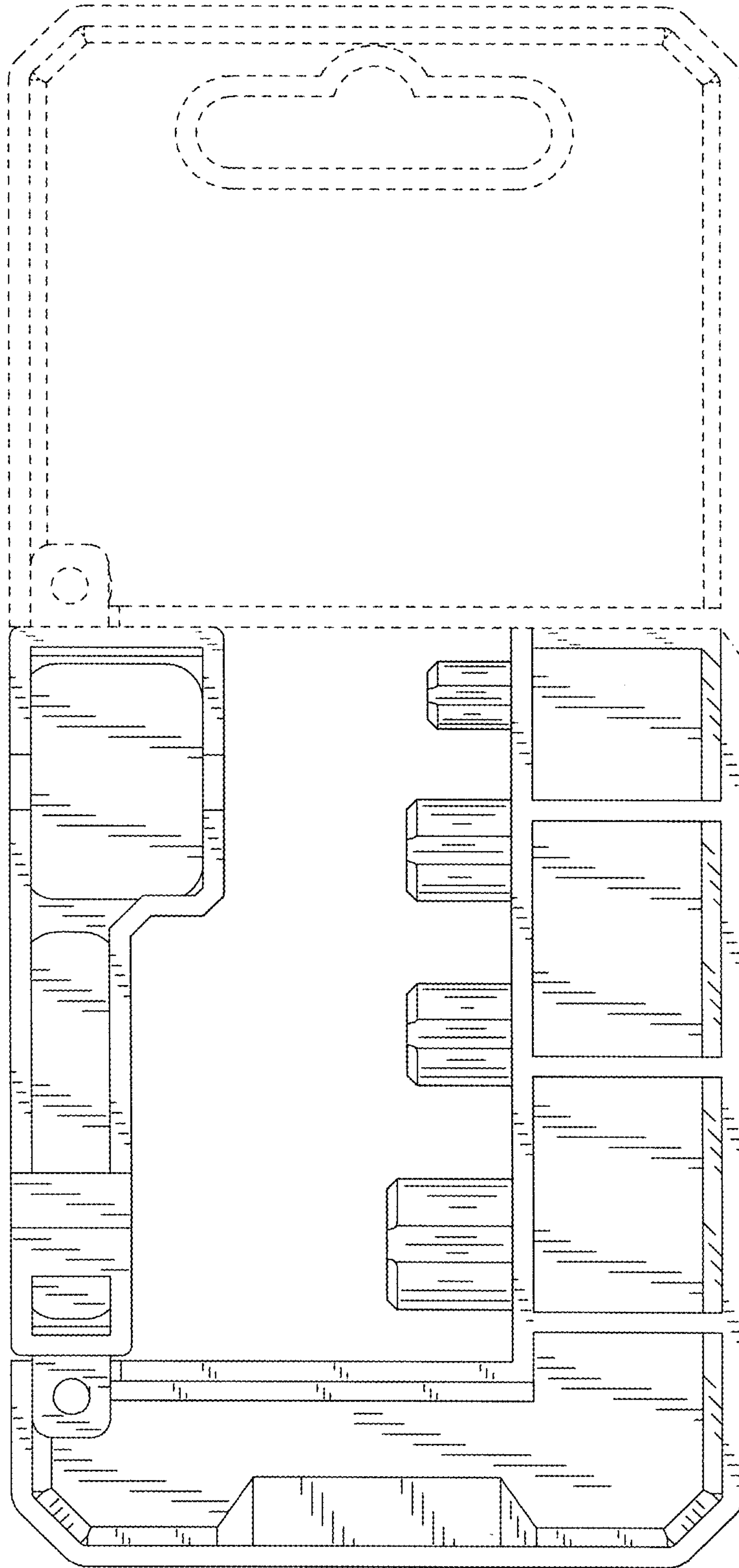


FIG. 3

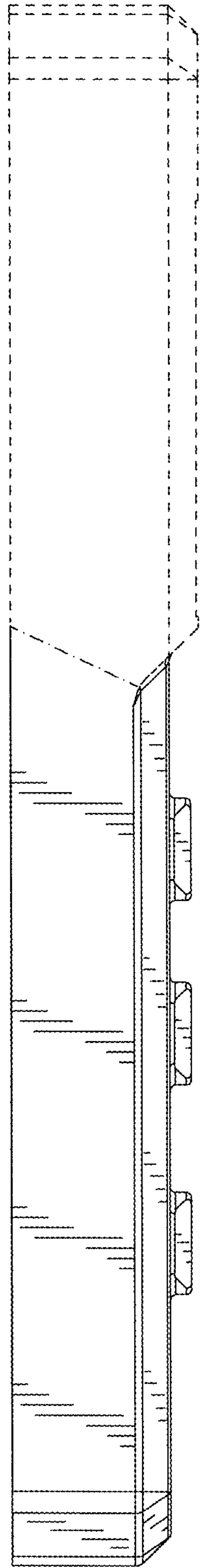


FIG. 4

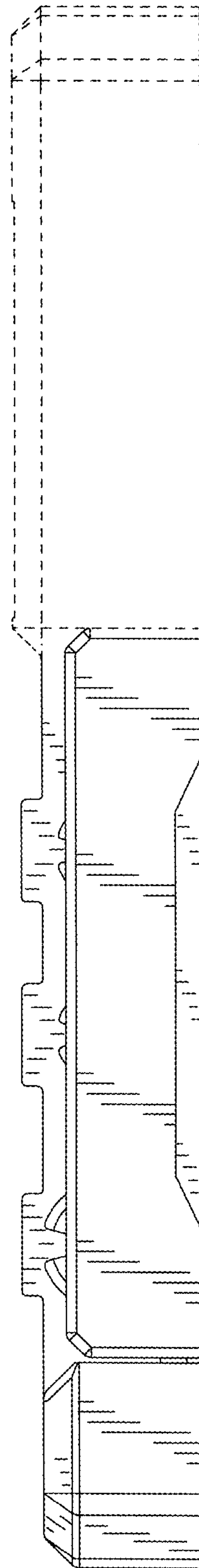


FIG. 5

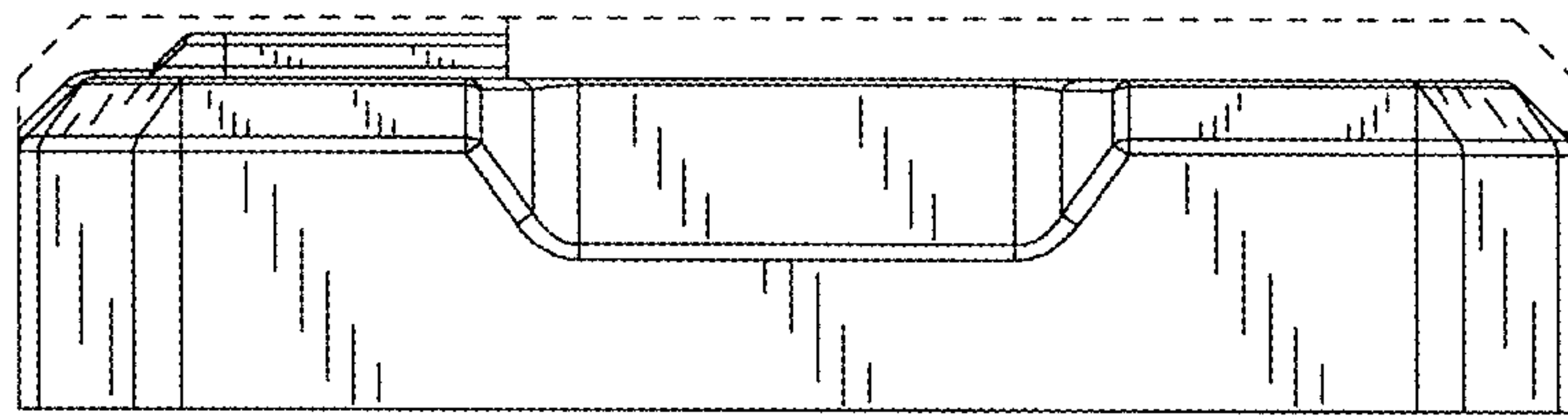


FIG. 6

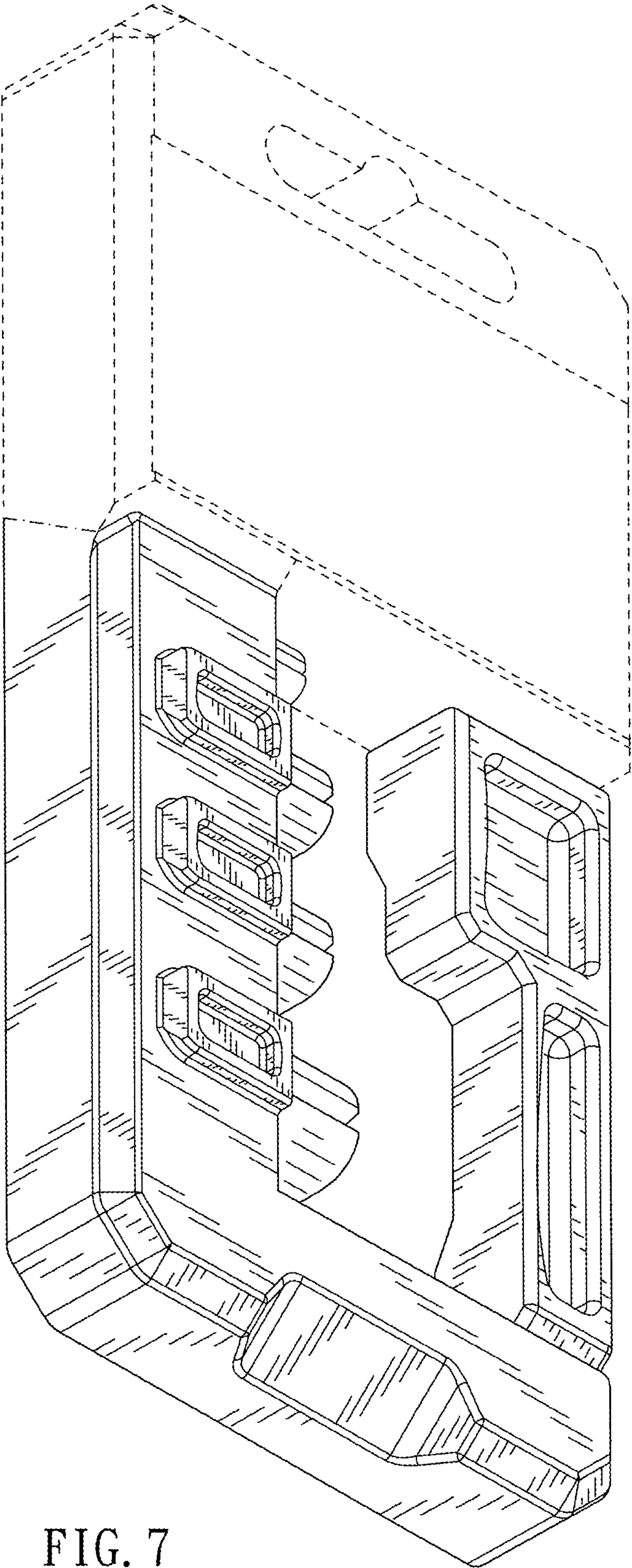


FIG. 7

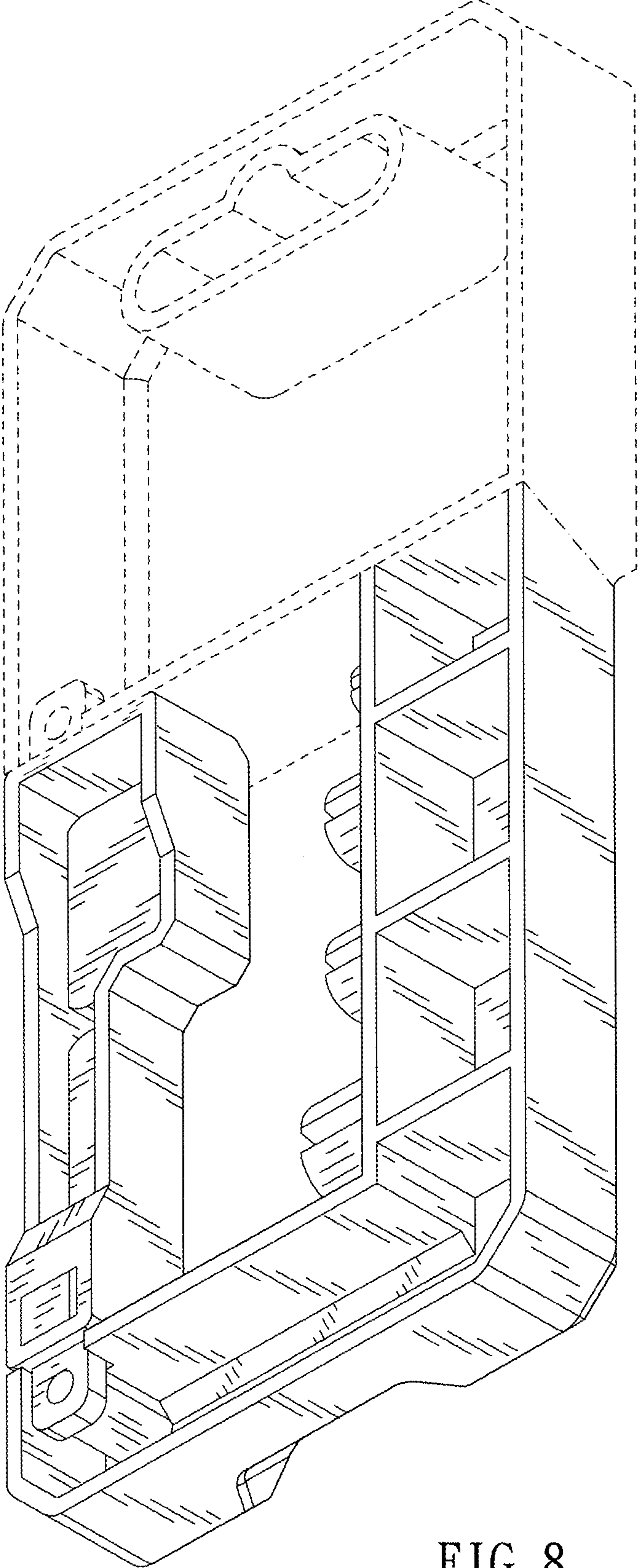


FIG. 8

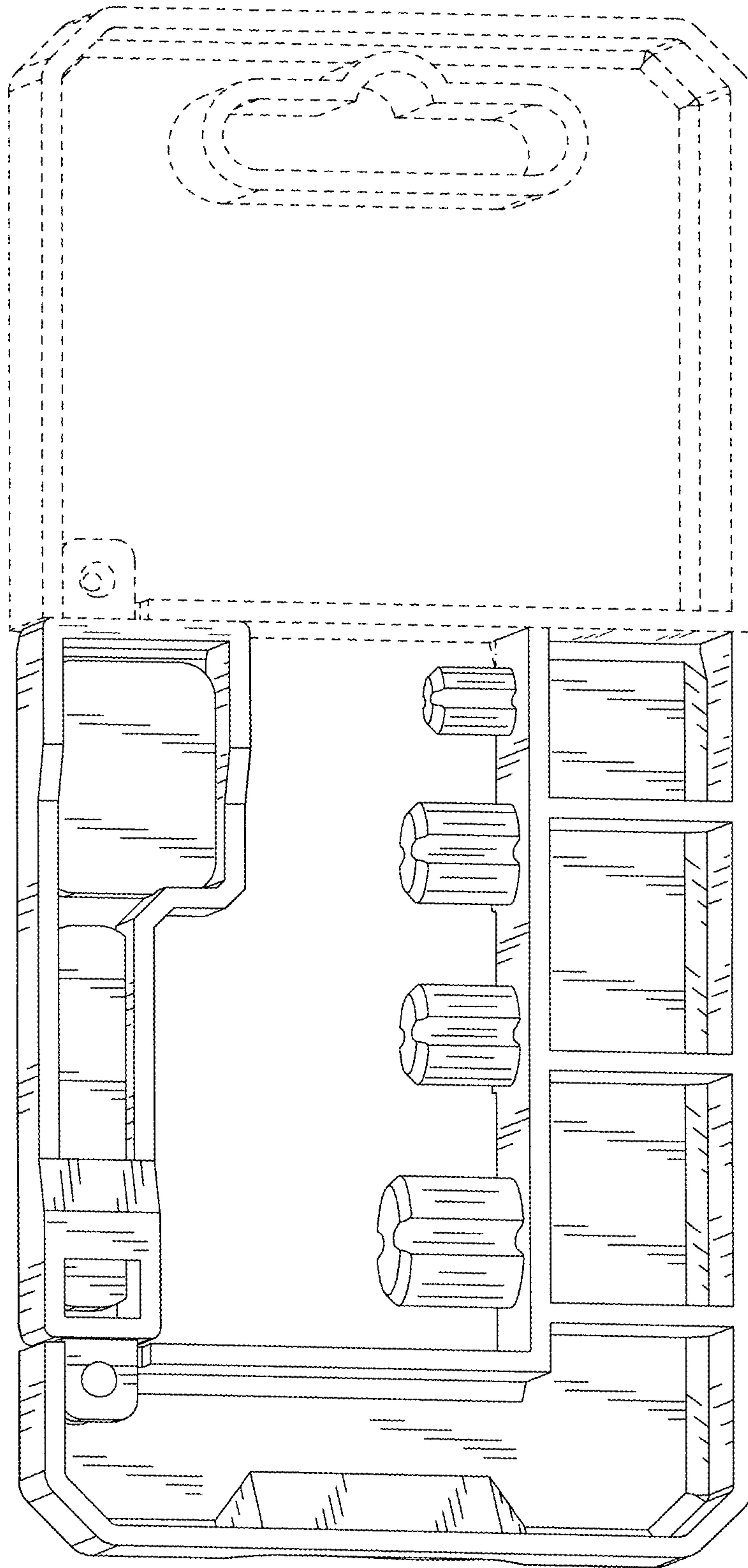


FIG. 9

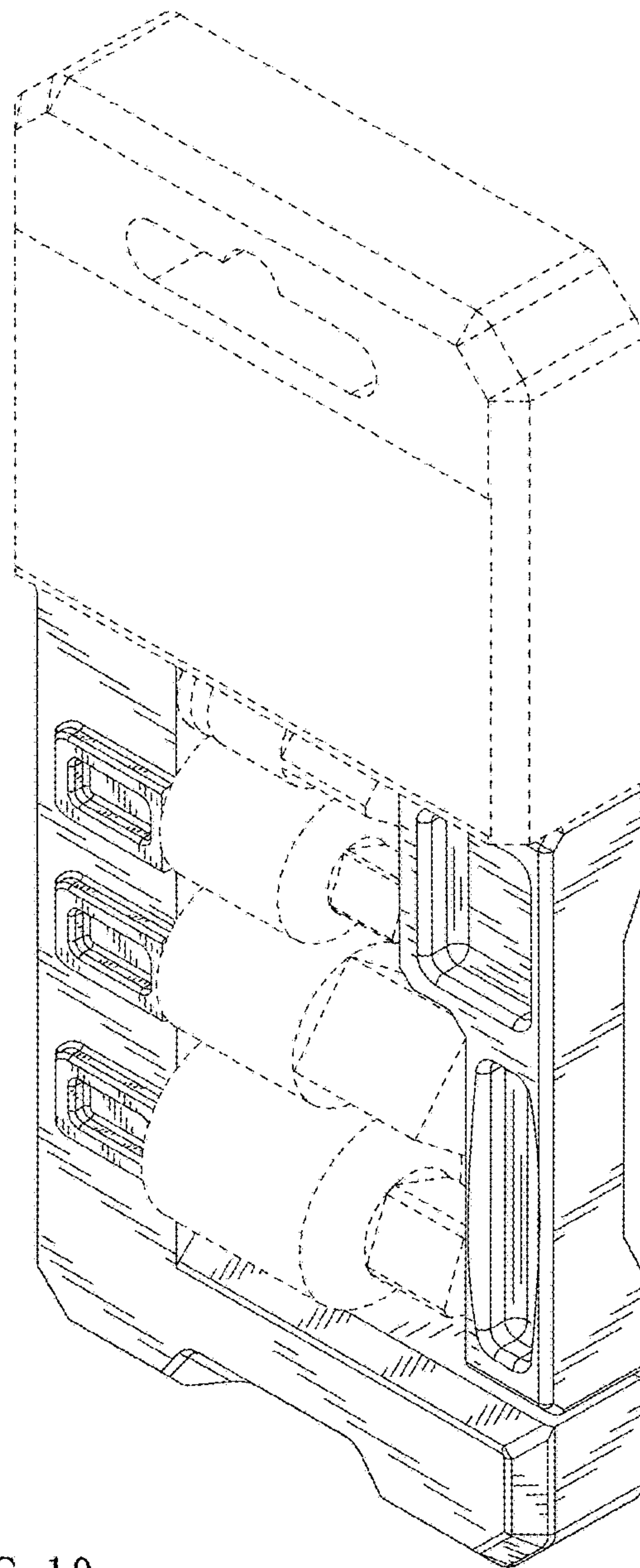


FIG. 10