



US00D785429S

(12) **United States Design Patent** (10) **Patent No.:** **US D785,429 S**
Hsieh (45) **Date of Patent:** **** May 2, 2017**

(54) **END COVER OF A TOOL HOLDER**

(71) Applicant: **Chih-Chien Hsieh**, Taichung (TW)

(72) Inventor: **Chih-Chien Hsieh**, Taichung (TW)

(**) Term: **15 Years**

(21) Appl. No.: **29/555,712**

(22) Filed: **Feb. 24, 2016**

(30) **Foreign Application Priority Data**

Oct. 8, 2015 (TW) 104305603

(51) **LOC (10) Cl.** **08-05**

(52) **U.S. Cl.**
USPC **D8/71**

(58) **Field of Classification Search**

USPC D8/61, 62, 70, 71, 349, 380; 30/376,
30/391; 51/17 PT, 17 R, 241 R, 258, 268,
51/269, 272

CPC B23B 29/04

See application file for complete search history.

(56) **References Cited**

U.S. PATENT DOCUMENTS

D244,390 S *	5/1977	Zimmermann	D27/195
D287,331 S *	12/1986	Monroe	D8/98
D344,879 S *	3/1994	Chan	D8/62
D365,681 S *	1/1996	Chow	D3/315
D553,922 S *	10/2007	Fujino	D8/14
D734,717 S *	7/2015	Dvorak	D13/107
2009/0200190 A1 *	8/2009	Hsieh	B25H 3/003 206/378

OTHER PUBLICATIONS

3221-0073-00 Filter End Cover Thermoheat Delux, posted at tricitytoolparts.com, posted date not given, [online], [site visited Nov. 22, 2016]. Available from Internet, <URL: http://tricitytoolparts.com/collections/keroseneendcoverskits/products/filterendcover3221007300thermoheatdeluxdynaglodluxheaters>.*

* cited by examiner

Primary Examiner — Caron D Veynar

Assistant Examiner — Maria Edwards

(74) *Attorney, Agent, or Firm* — Egbert Law Offices, PLLC

(57) **CLAIM**

The ornamental design for an end cover of a tool holder, as shown and described.

DESCRIPTION

FIG. 1 is an upper perspective view of an end cover of a tool holder showing my new design.

FIG. 2 is a front elevation view thereof;

FIG. 3 is a rear elevation view thereof;

FIG. 4 is a left side elevation view thereof;

FIG. 5 is a right side elevation view thereof;

FIG. 6 is a top plan view thereof;

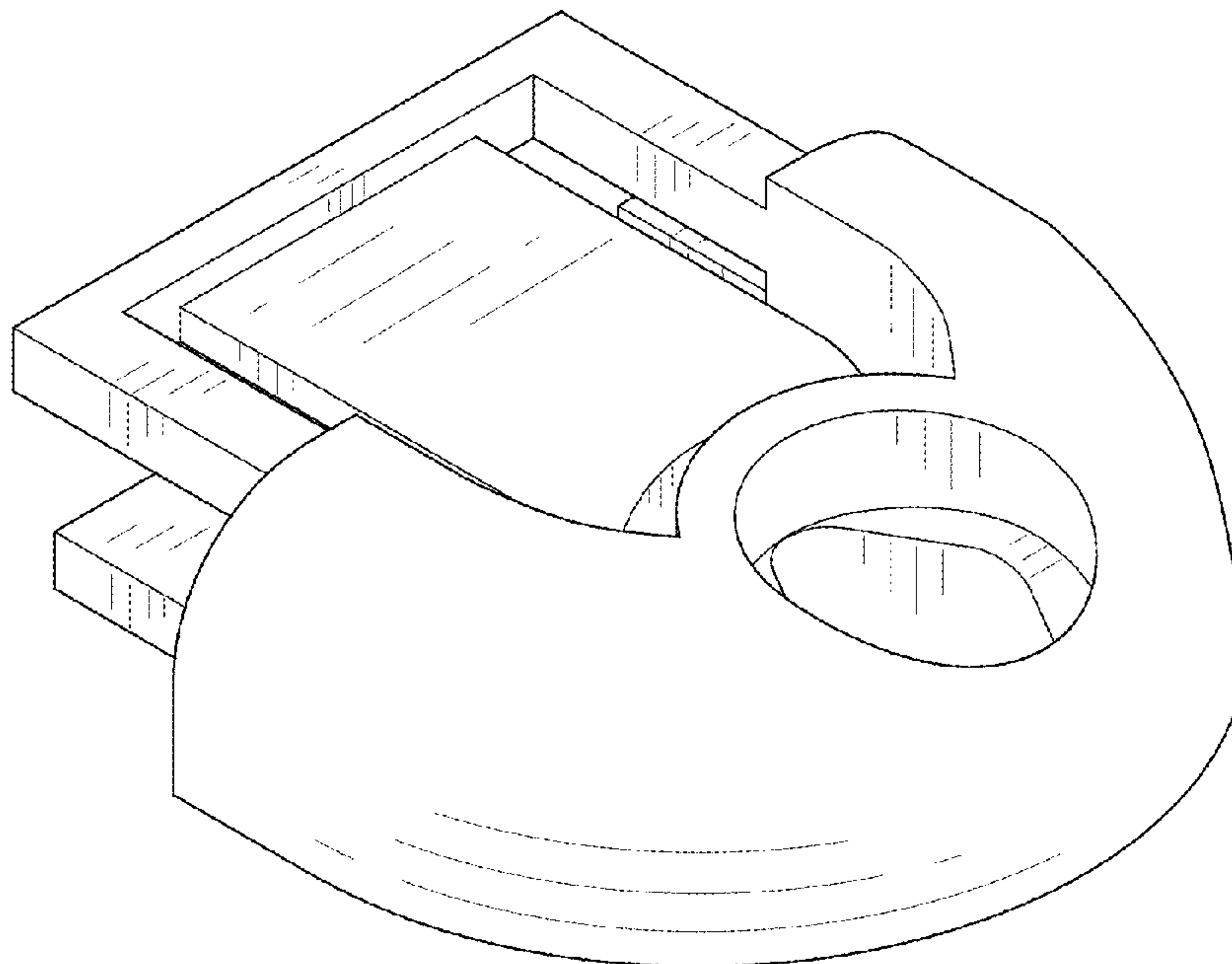
FIG. 7 is a bottom plan view thereof;

FIG. 8 is a bottom perspective view thereof; and,

FIG. 9 is an upper perspective view showing two of an end cover of a tool holder of my new design affixed to a tool holder with tools secured therein.

The broken lines in the drawings illustrate environmental subject matter and form no part of the claimed design.

1 Claim, 9 Drawing Sheets



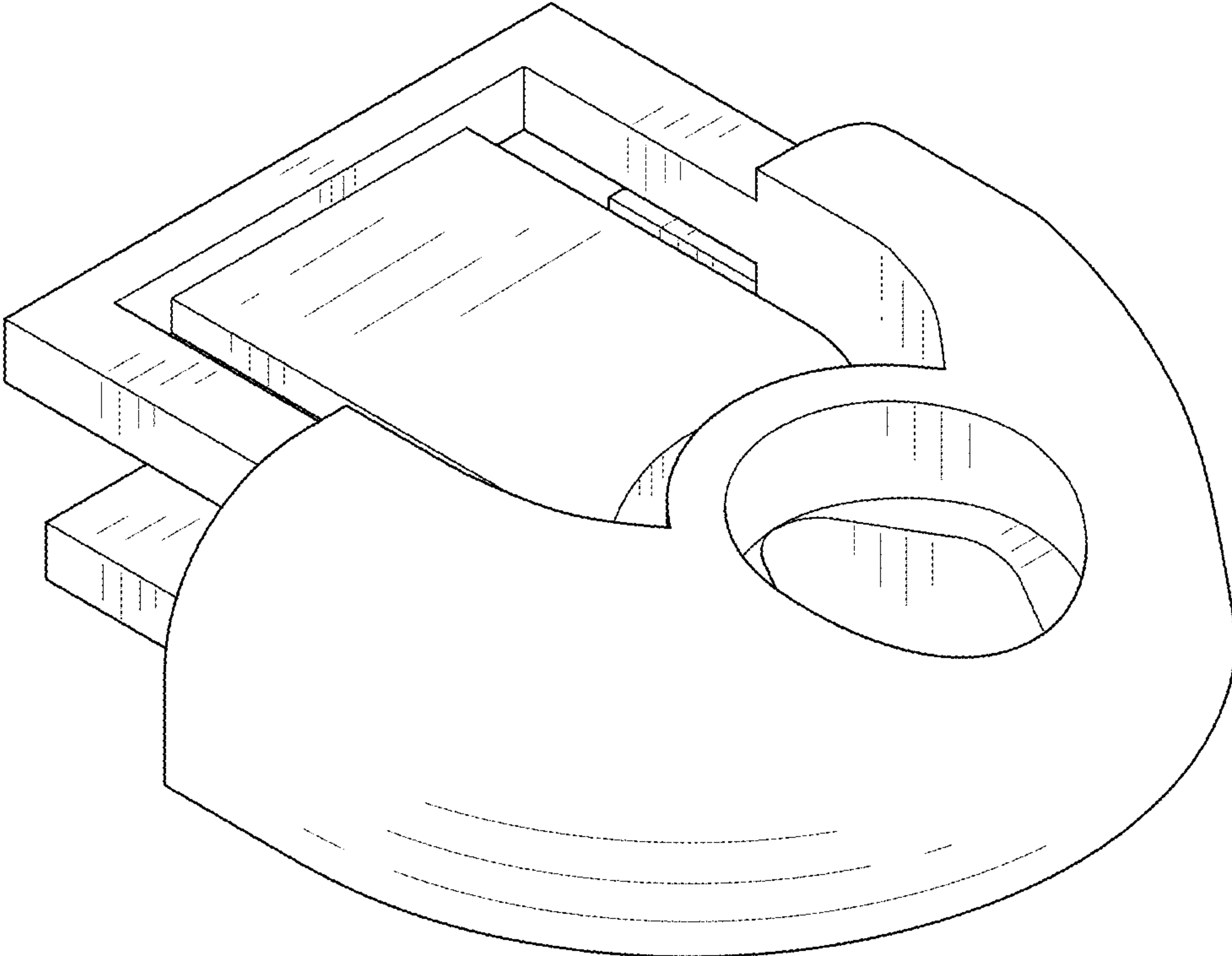


FIG.1

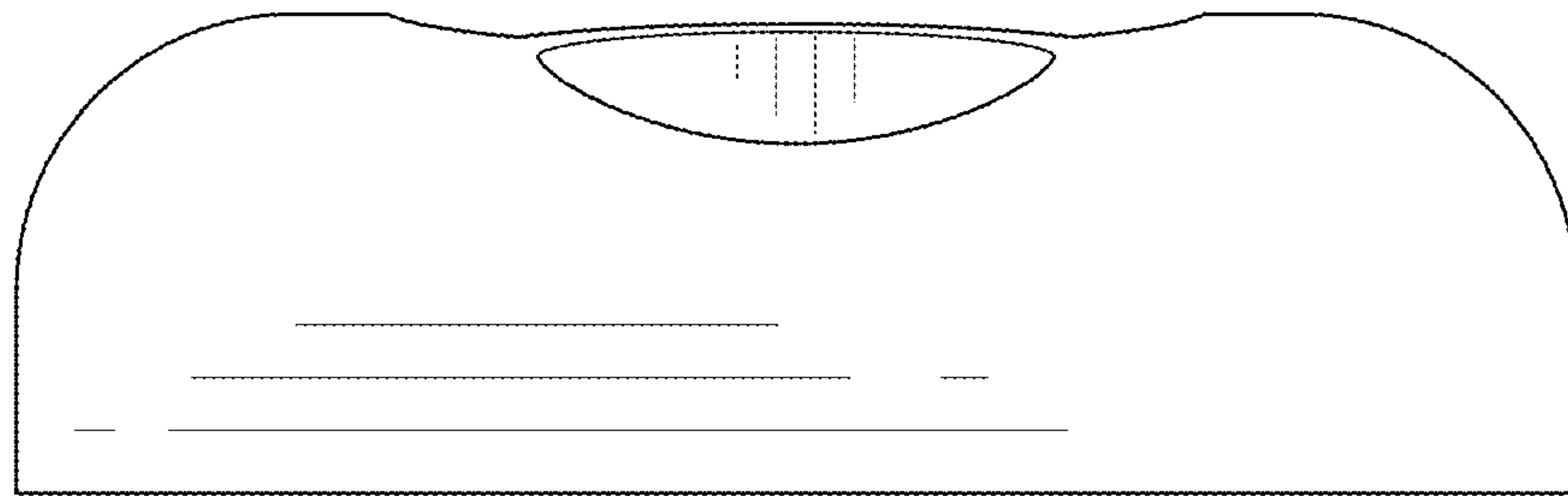


FIG.2

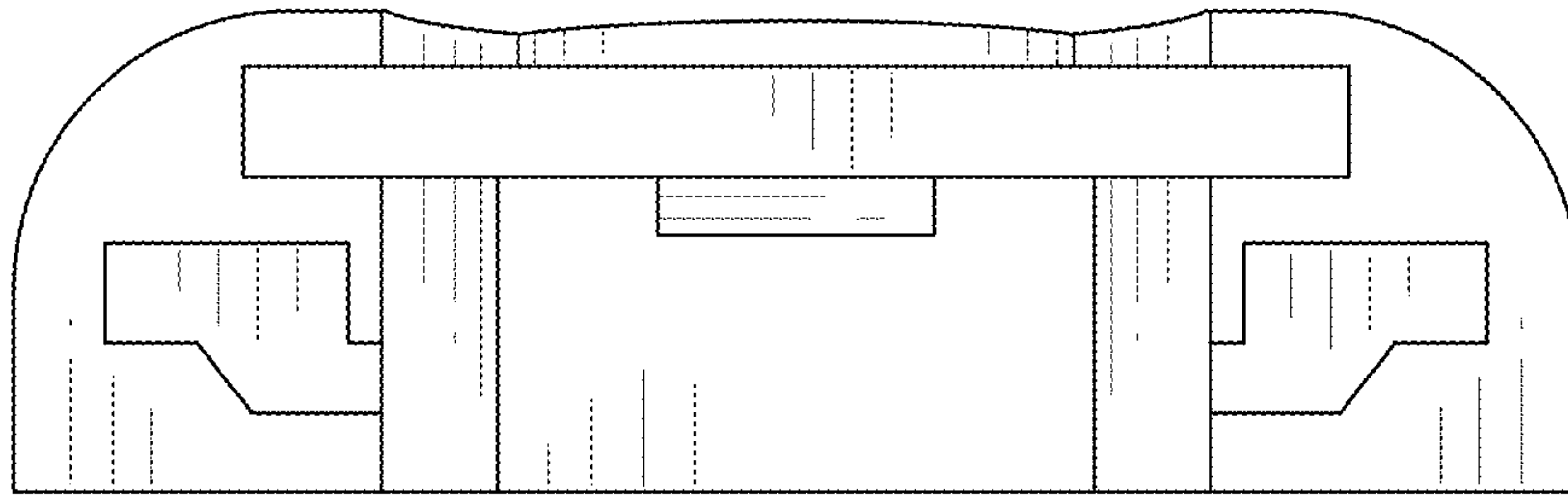


FIG.3

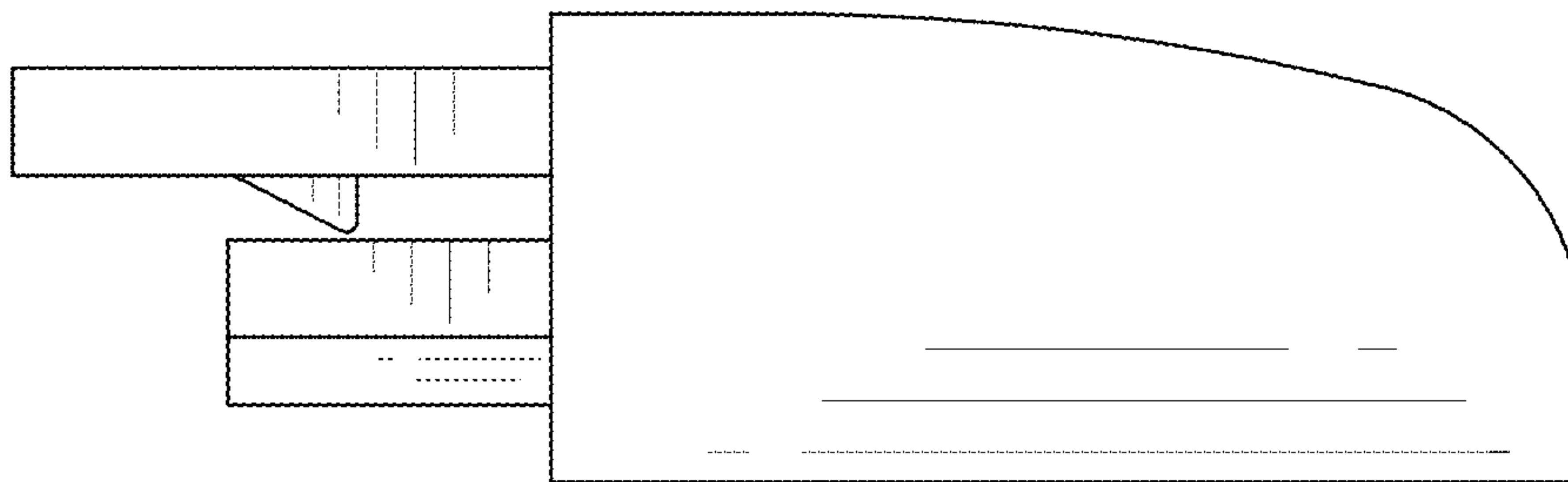


FIG.4

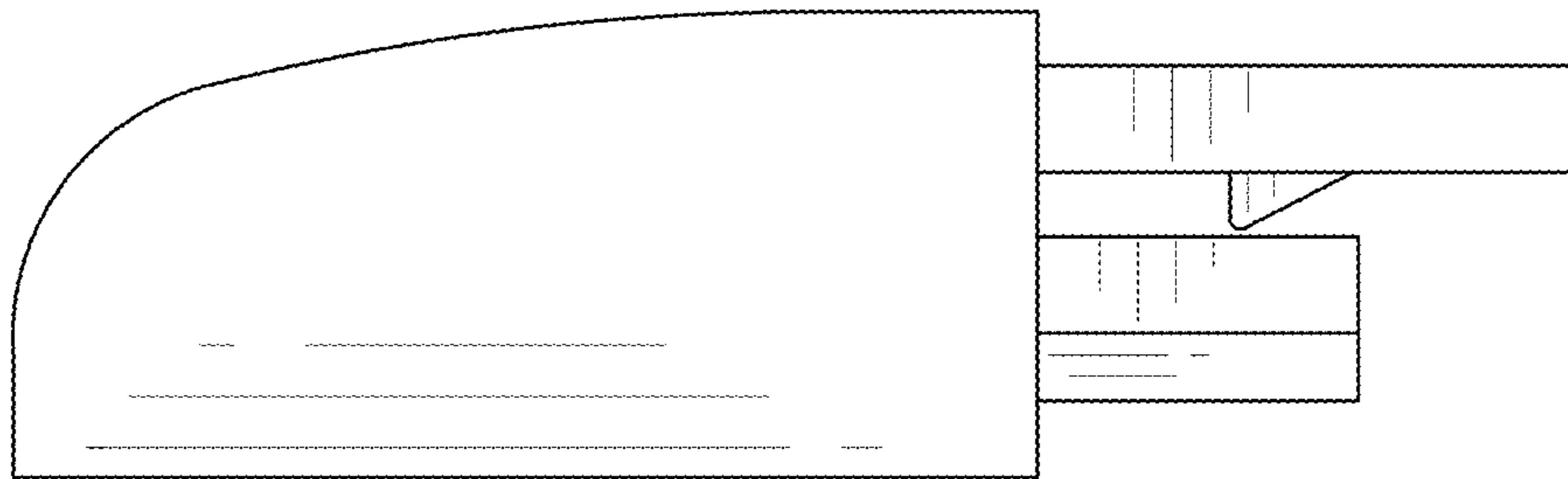


FIG.5

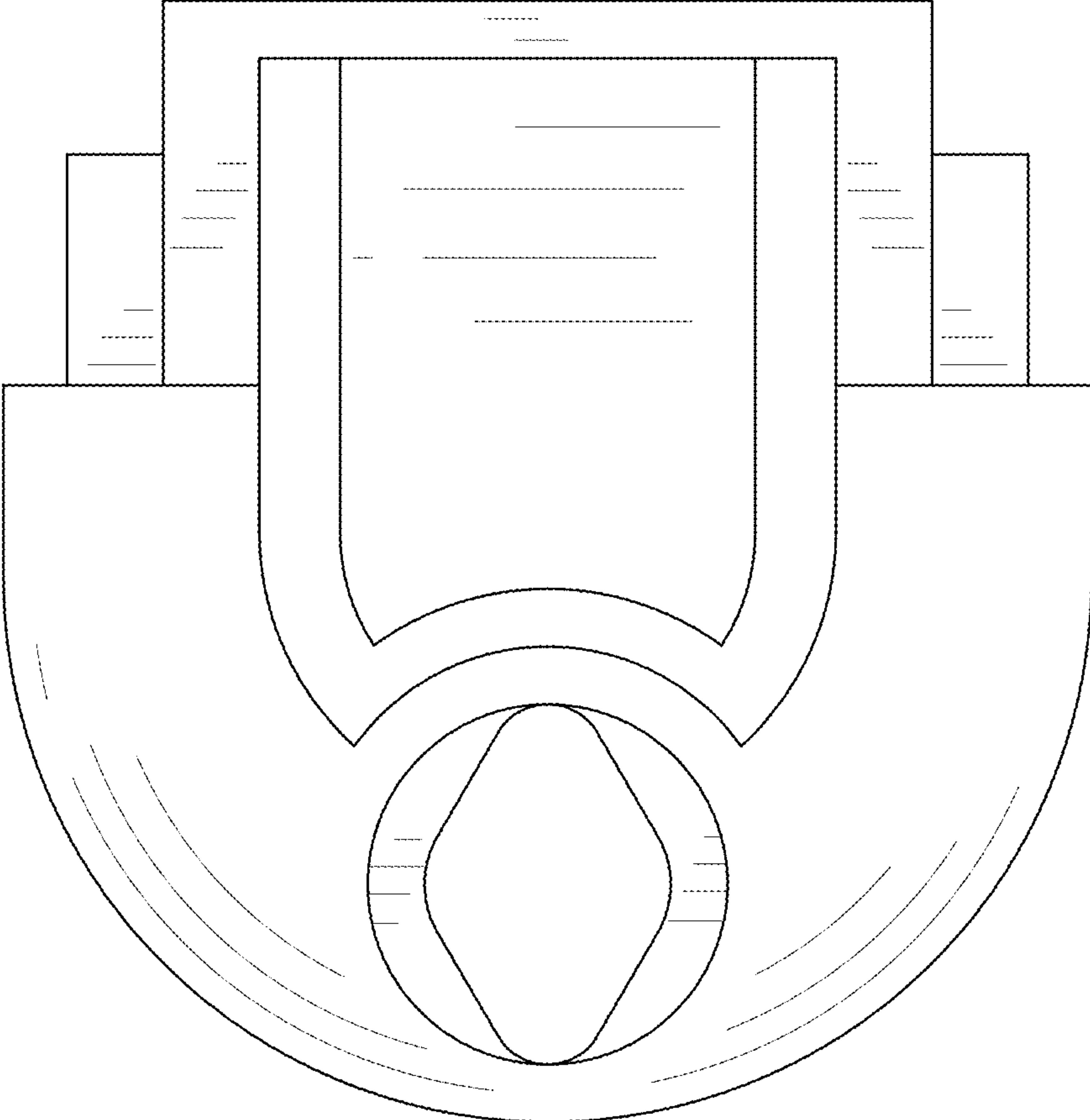


FIG.6

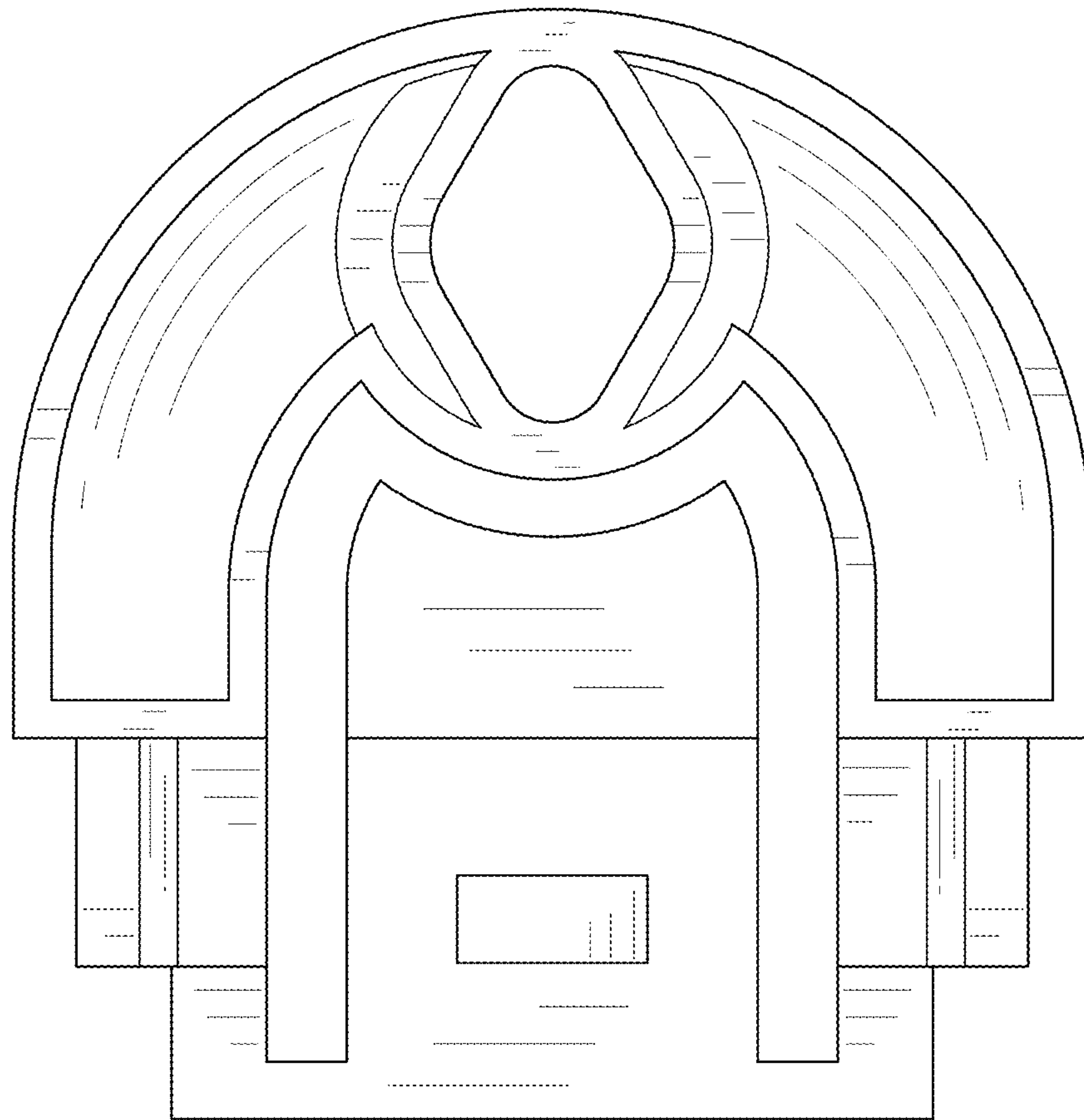


FIG. 7

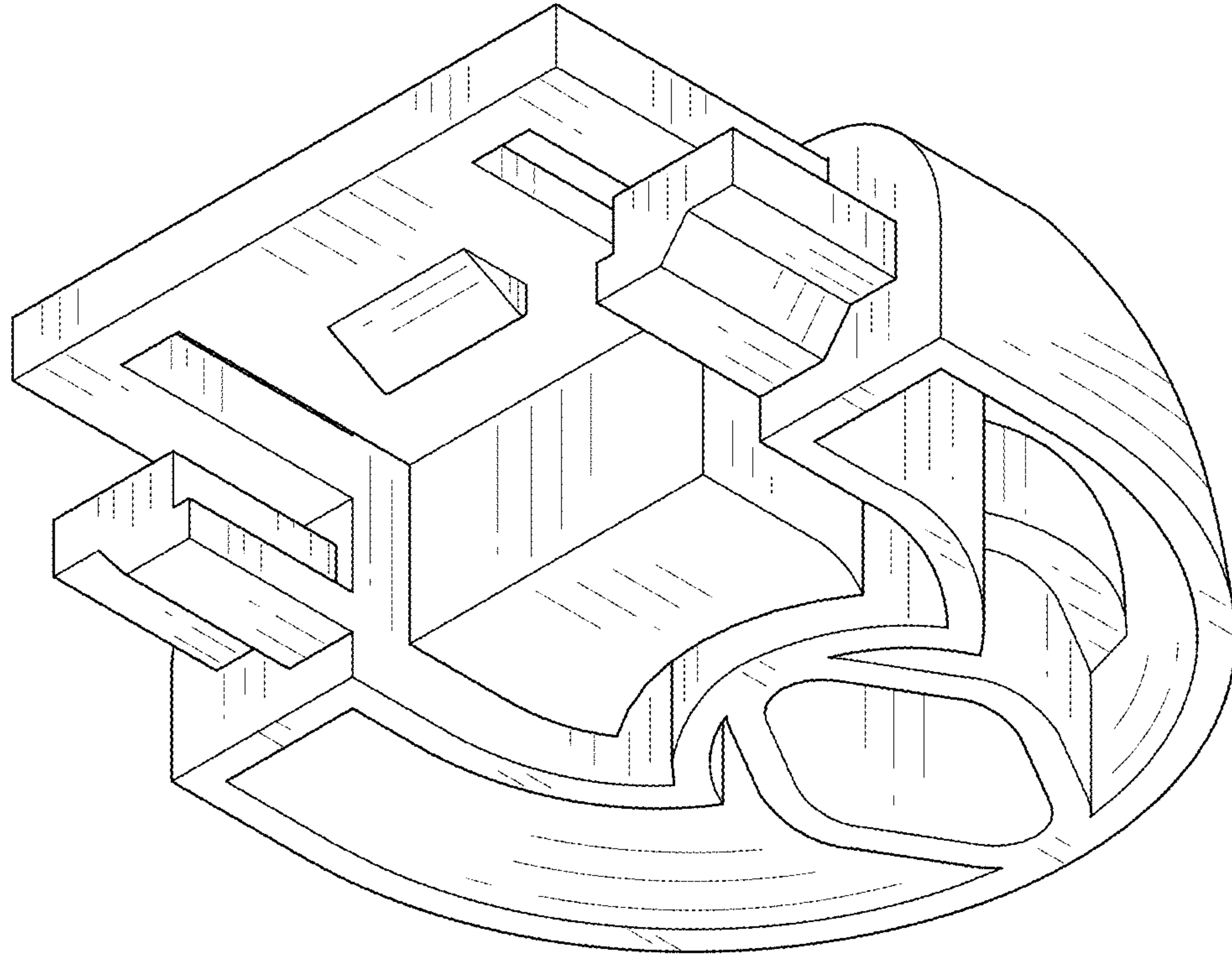


FIG. 8

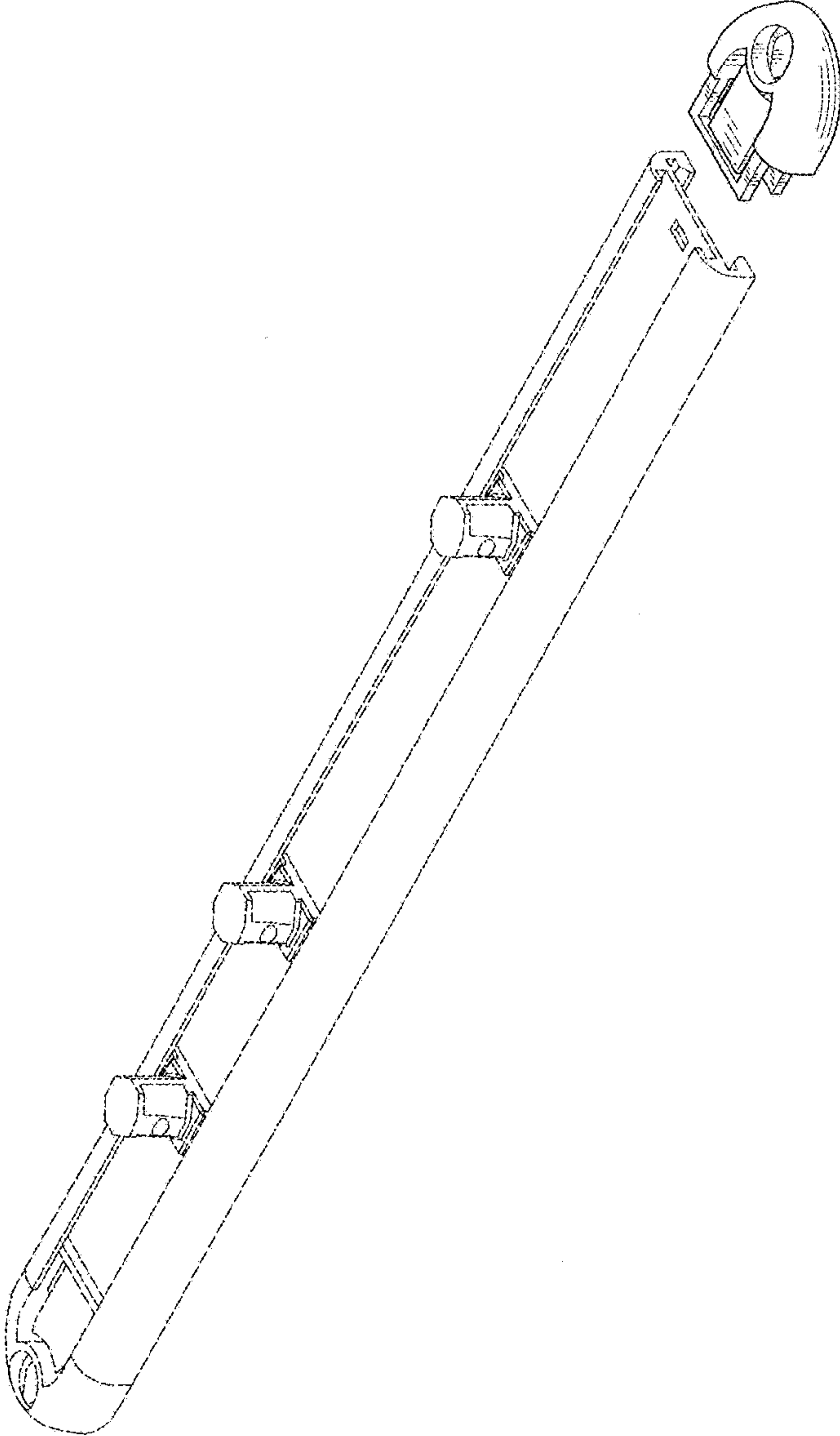


FIG. 9