



US00D785428S

(12) **United States Design Patent** (10) **Patent No.:** **US D785,428 S**  
**Friesen** (45) **Date of Patent:** **\*\* May 2, 2017**

(54) **TOOL RACK**  
(71) Applicant: **Darren Friesen**, Starbuck (CA)  
(72) Inventor: **Darren Friesen**, Starbuck (CA)  
(\*\*) Term: **15 Years**  
(21) Appl. No.: **29/532,651**  
(22) Filed: **Jul. 9, 2015**  
(51) **LOC (10) Cl.** ..... **08-05**  
(52) **U.S. Cl.**  
USPC ..... **D8/71**  
(58) **Field of Classification Search**  
USPC .... D8/14, 71, 349, 354, 380, 499; D24/224,  
D24/226, 227, 229, 230; D19/95, 99,  
D19/100; D6/513, 514, 675.3  
CPC ... B25H 3/04; B25H 3/00; B25H 3/06; B25H  
3/026; B25H 3/022; B25H 3/003; B01L  
9/06; B65D 25/108  
See application file for complete search history.

6,568,544 B1 \* 5/2003 Lafond ..... B01L 9/06  
211/74  
D506,833 S \* 6/2005 Wescott, III ..... 422/411  
D507,658 S \* 7/2005 Wescott, III ..... 422/412  
7,258,240 B2 \* 8/2007 Wescott, III ..... B01L 9/06  
206/563  
D625,168 S \* 10/2010 Chen ..... D8/354  
D648,164 S \* 11/2011 Michnuk ..... D6/534  
D705,645 S \* 5/2014 Bakos ..... D8/380  
2002/0108917 A1 \* 8/2002 Maruyama ..... B01L 9/06  
211/74  
2002/0170867 A1 \* 11/2002 Liu ..... B01L 9/06  
211/74  
2003/0034317 A1 \* 2/2003 Lafond ..... B01L 9/06  
211/74  
2006/0102569 A1 \* 5/2006 Laga ..... A47F 5/0807  
211/70.6  
2014/0305849 A1 \* 10/2014 Fu ..... B01L 9/06  
209/215

\* cited by examiner

*Primary Examiner* — Sandra Snapp  
*Assistant Examiner* — Ieisha Price  
(74) *Attorney, Agent, or Firm* — Kyle R. Satterthwaite;  
Ryan W. Dupuis; Ade & Company Inc.

(56) **References Cited**  
U.S. PATENT DOCUMENTS

1,188,146 A \* 6/1916 Bogley ..... A47B 73/00  
211/74  
3,532,221 A \* 10/1970 Kaluhiokalani ..... A45D 44/02  
108/26  
D242,766 S \* 12/1976 Neece ..... D12/223  
D257,390 S \* 10/1980 Hahn ..... D24/230  
D265,126 S \* 6/1982 Beall ..... D24/230  
4,407,958 A \* 10/1983 DeGraff, Jr. .... B01L 9/06  
211/194  
D329,875 S \* 9/1992 Stern ..... D19/75  
D360,321 S \* 7/1995 Wang ..... D6/682.2  
5,452,810 A \* 9/1995 Schwartz ..... B01L 9/06  
206/446  
5,617,960 A \* 4/1997 Bishop ..... A47B 97/02  
211/44  
D474,274 S \* 5/2003 Walters ..... D24/128

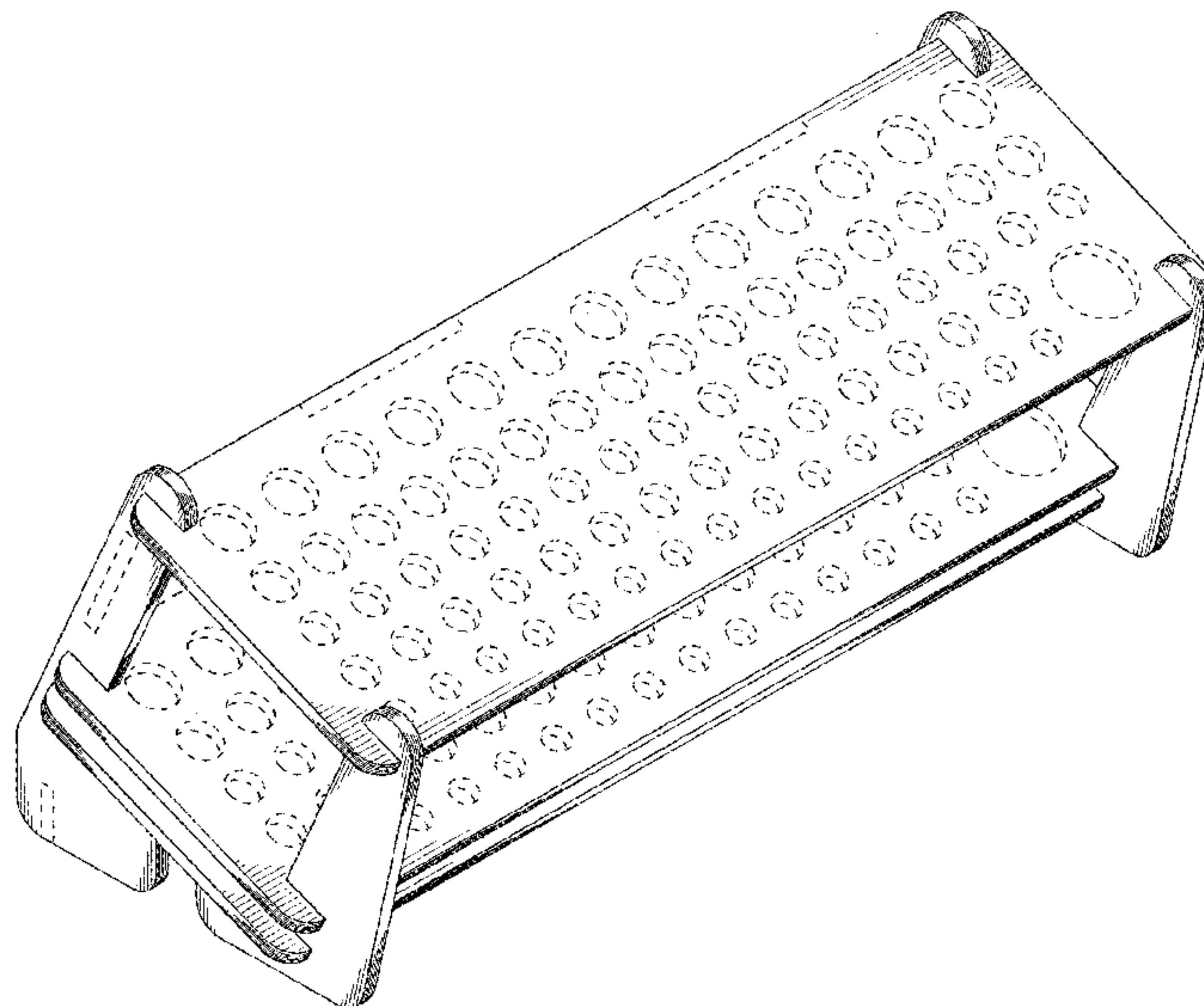
(57) **CLAIM**

The ornamental design for a tool rack, as shown and described.

**DESCRIPTION**

FIG. 1 is a perspective view of the tool rack;  
FIG. 2 is a right side view of the tool rack, the left side being a mirror image thereof;  
FIG. 3 is a top view of the tool rack;  
FIG. 4 is a bottom view of the tool rack;  
FIG. 5 is a front view of the tool rack; and,  
FIG. 6 is a rear view of the tool rack.  
The broken lines in the drawings illustrate portions of the tool rack which form no part of the claimed design.

**1 Claim, 6 Drawing Sheets**



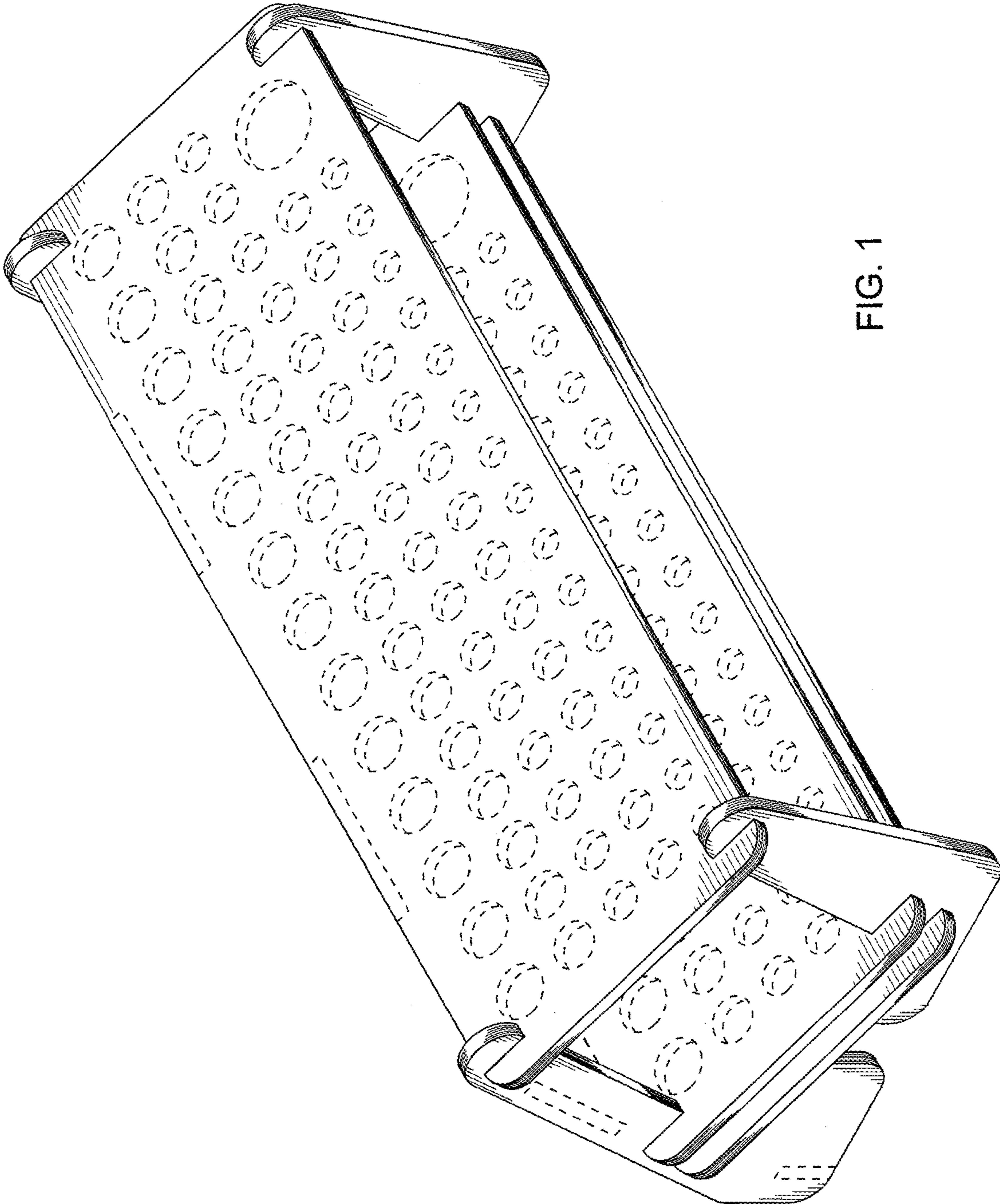


FIG. 1

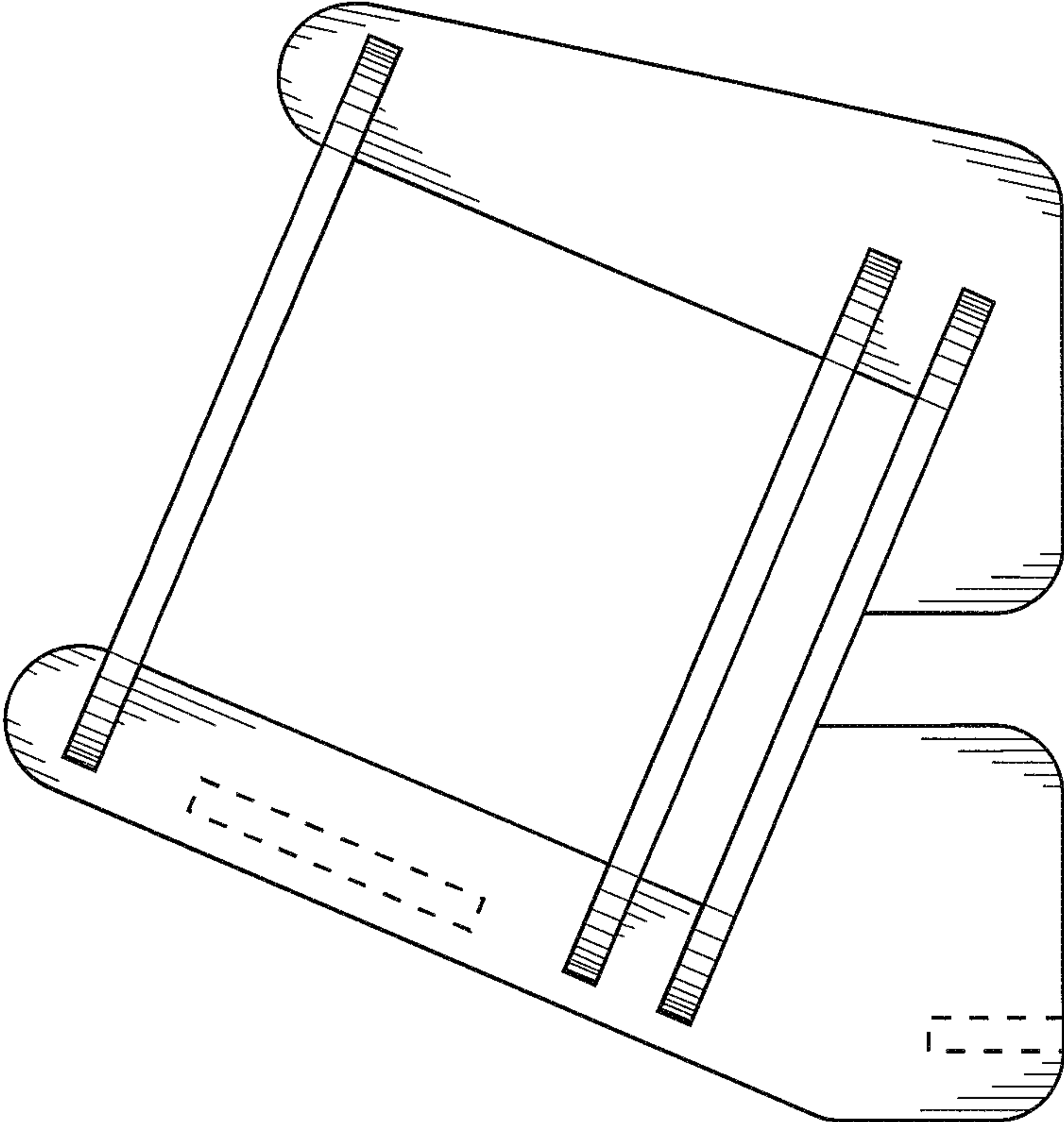


FIG. 2



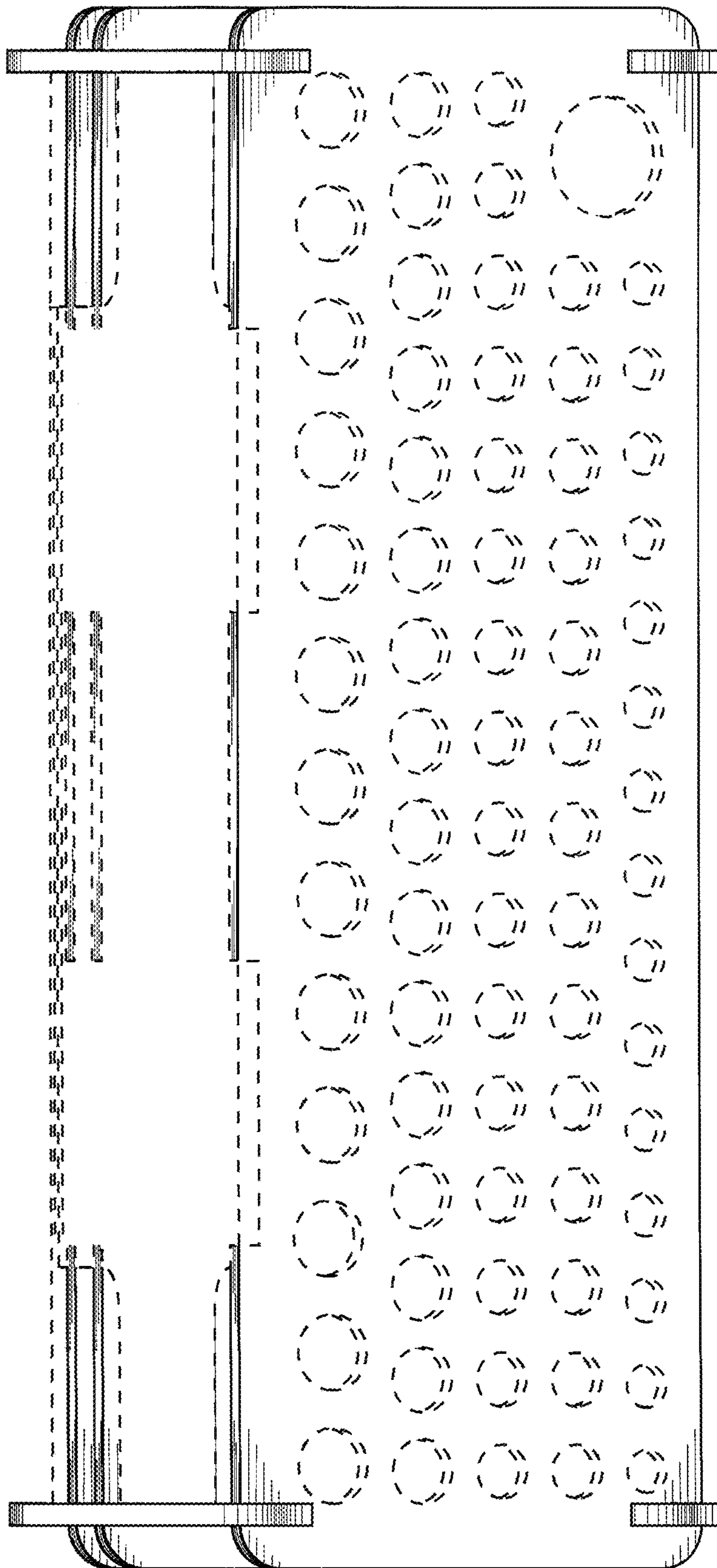


FIG. 3

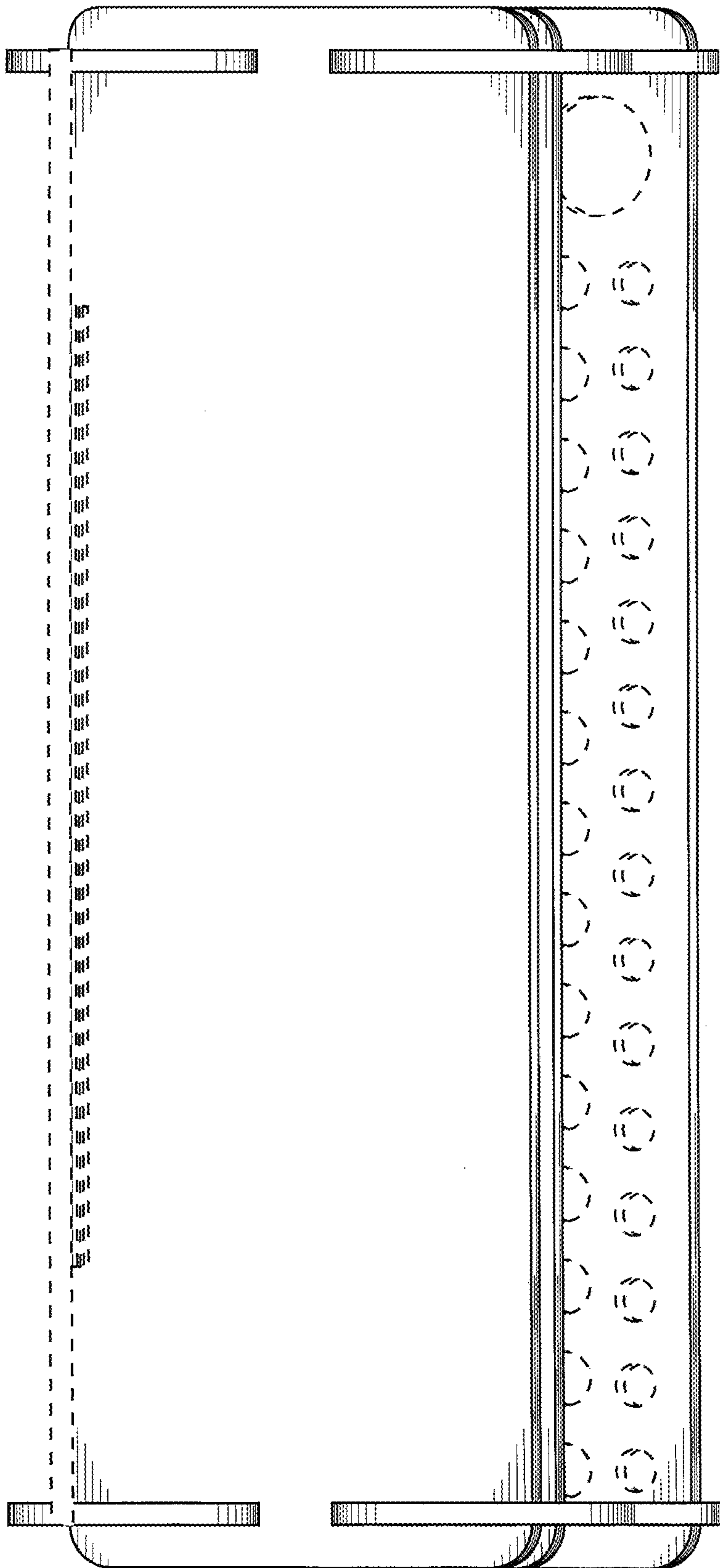


FIG. 4

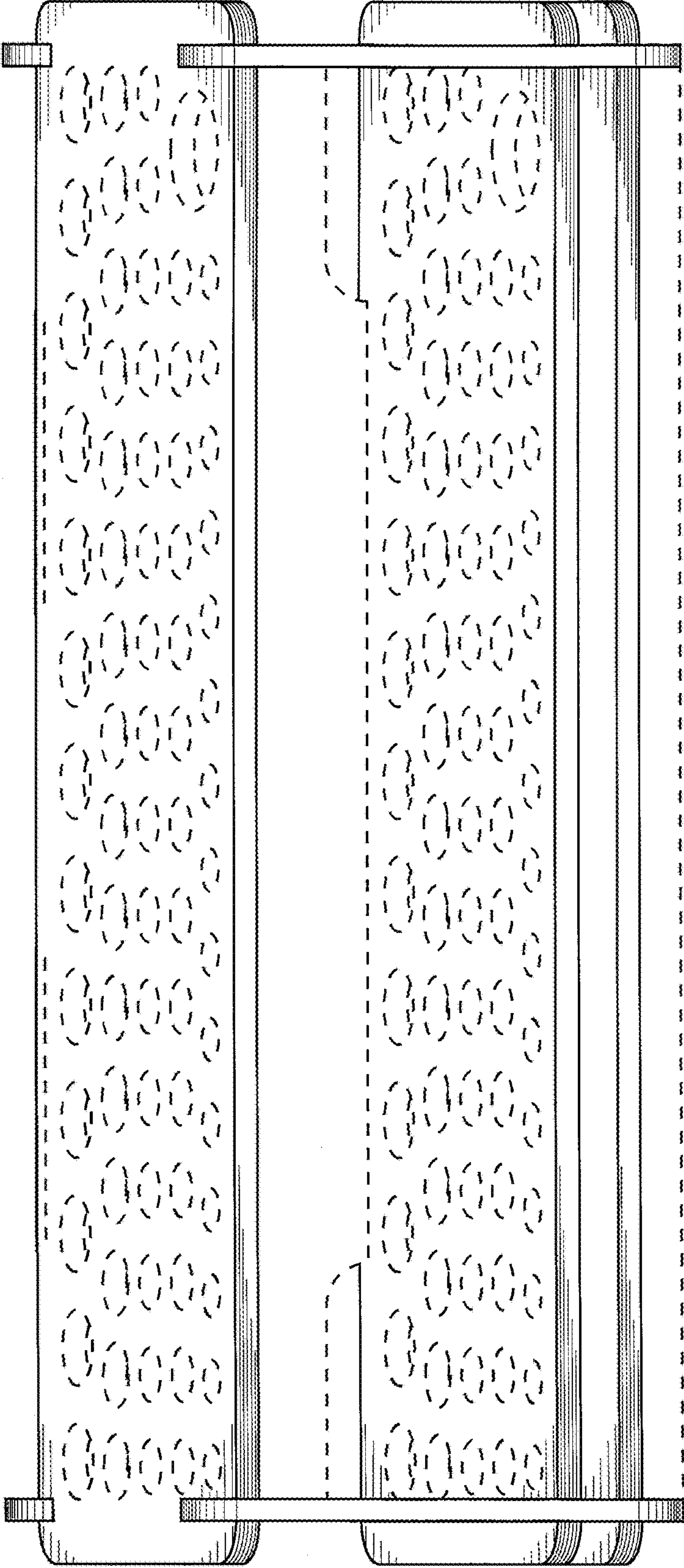


FIG. 5

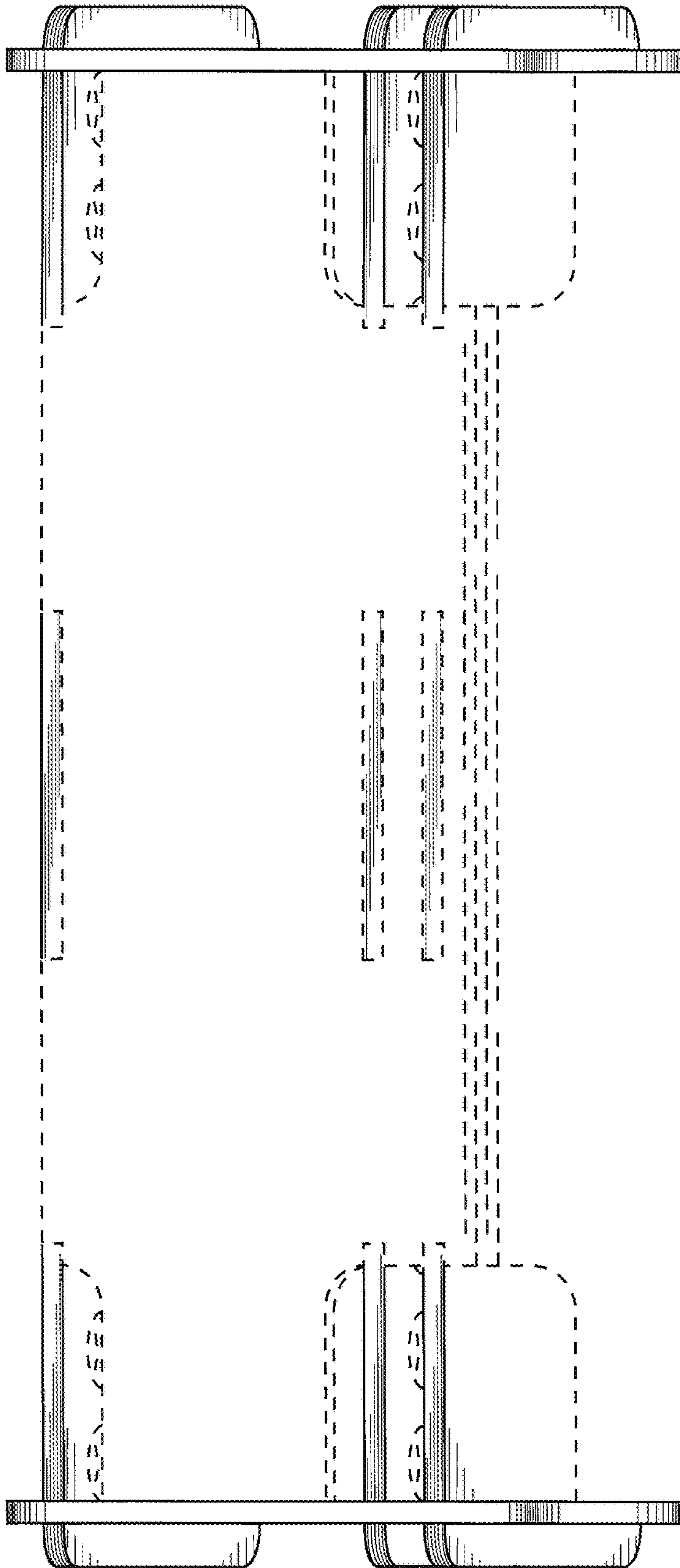


FIG. 6