

US00D785424S

(12) **United States Design Patent**
Kapoor et al.

(10) **Patent No.:** **US D785,424 S**

(45) **Date of Patent:** **** May 2, 2017**

(54) **STAPLER**

(71) Applicant: **Kanin (India)**, Ludhiana (IN)

(72) Inventors: **Milouni Sagar Kapoor**, Mumbai (IN);
Soumya Mehta, New Delhi (IN);
Smruti Channakeshav Adya, Mumbai (IN)

(73) Assignee: **Kanin (India)**, Ludhiana (IN)

(**) Term: **14 Years**

(21) Appl. No.: **29/508,860**

(22) Filed: **Nov. 12, 2014**

(30) **Foreign Application Priority Data**

Sep. 8, 2014 (EP) 002533299

(51) **LOC (10) Cl.** **19-02**

(52) **U.S. Cl.**
USPC **D8/50**

(58) **Field of Classification Search**

USPC D8/48, 49, 50, 61, 68, 69, 70; D19/72,
D19/73, 65, 69; D21/532; D24/145;
7/158, 160; 227/4, 5, 6, 7, 8, 120, 127,
227/128, 131, 132, 134, 144, 156, 175.1;
606/139, 143, 153, 219
CPC B25C 5/0242; B25C 5/0285; B25C 5/11;
B27F 5/17; B26F 1/36

See application file for complete search history.

(56) **References Cited**

U.S. PATENT DOCUMENTS

D392,858 S * 3/1998 Jacquet D8/49
D478,485 S * 8/2003 Huang D19/72

D531,470 S * 11/2006 Kirby D8/49
D531,471 S * 11/2006 Kent D8/50
D543,428 S * 5/2007 Kirby D8/49
D572,549 S * 7/2008 Sudmalis D8/50
D574,682 S * 8/2008 Cunningham D8/50
D579,295 S * 10/2008 Cunningham D8/49
D604,132 S * 11/2009 Satoh D8/49
D679,562 S * 4/2013 Smith D8/50
D740,632 S * 10/2015 Monteleone D8/50
2005/0223498 A1 * 10/2005 Kirby B25C 5/0214
7/160
2005/0224555 A1 * 10/2005 Kirby B25C 5/1637
227/134

* cited by examiner

Primary Examiner — Austin Murphy
(74) *Attorney, Agent, or Firm* — Jeffrey T. Placker;
Holland & Knight LLP

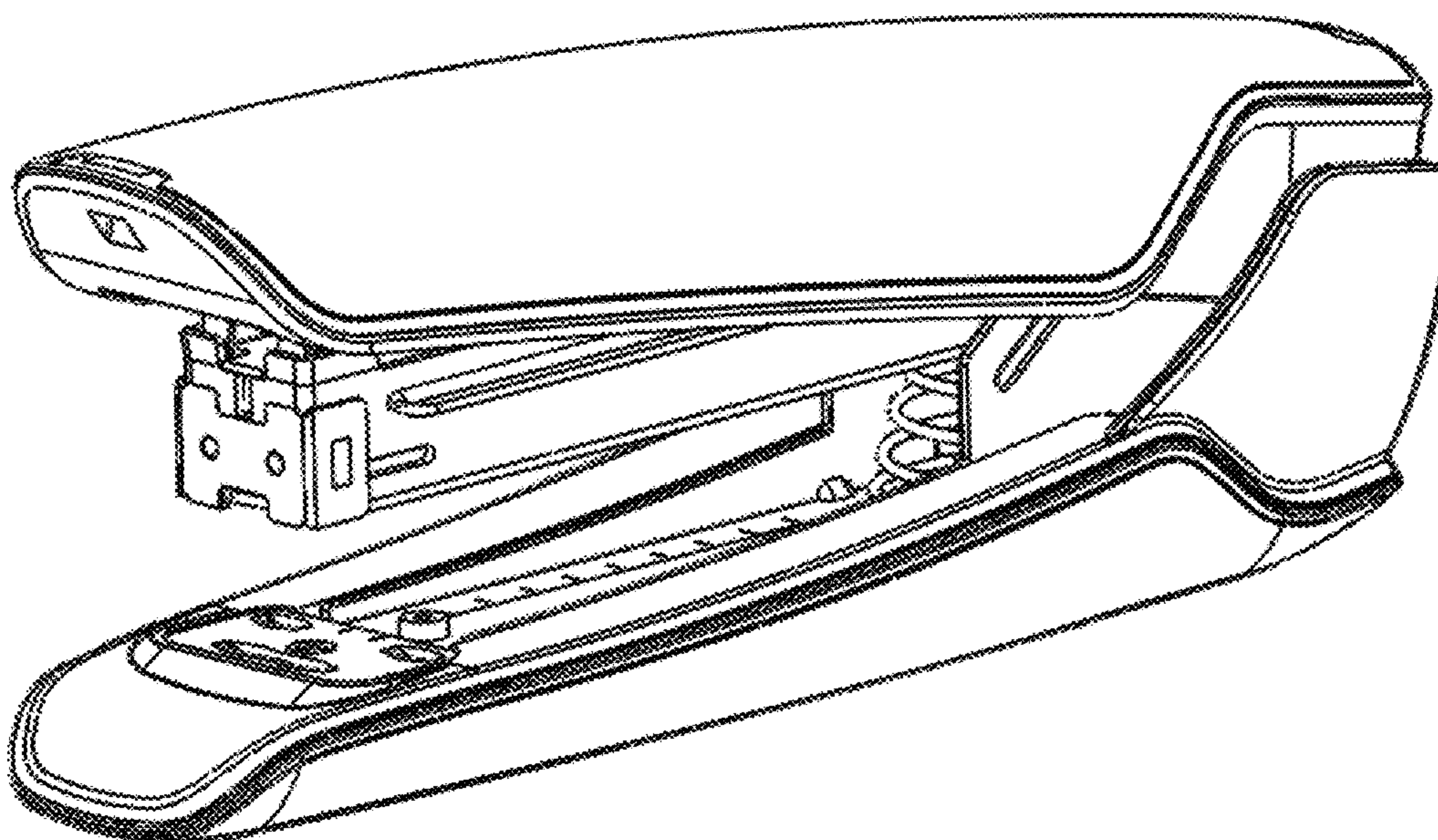
(57) **CLAIM**

The ornamental design for a stapler, as shown and described.

DESCRIPTION

FIG. 1 is a front perspective view of a stapler;
FIG. 2 is right side elevation view thereof;
FIG. 3 is a left side elevation view thereof;
FIG. 4 is a front side elevation view thereof;
FIG. 5 is a back side elevation view thereof;
FIG. 6 is a top plan view thereof; and,
FIG. 7 is a bottom plan view thereof.
The broken lines are included for the purpose of illustrating portions of the stapler that form no part of the claimed design.

1 Claim, 7 Drawing Sheets



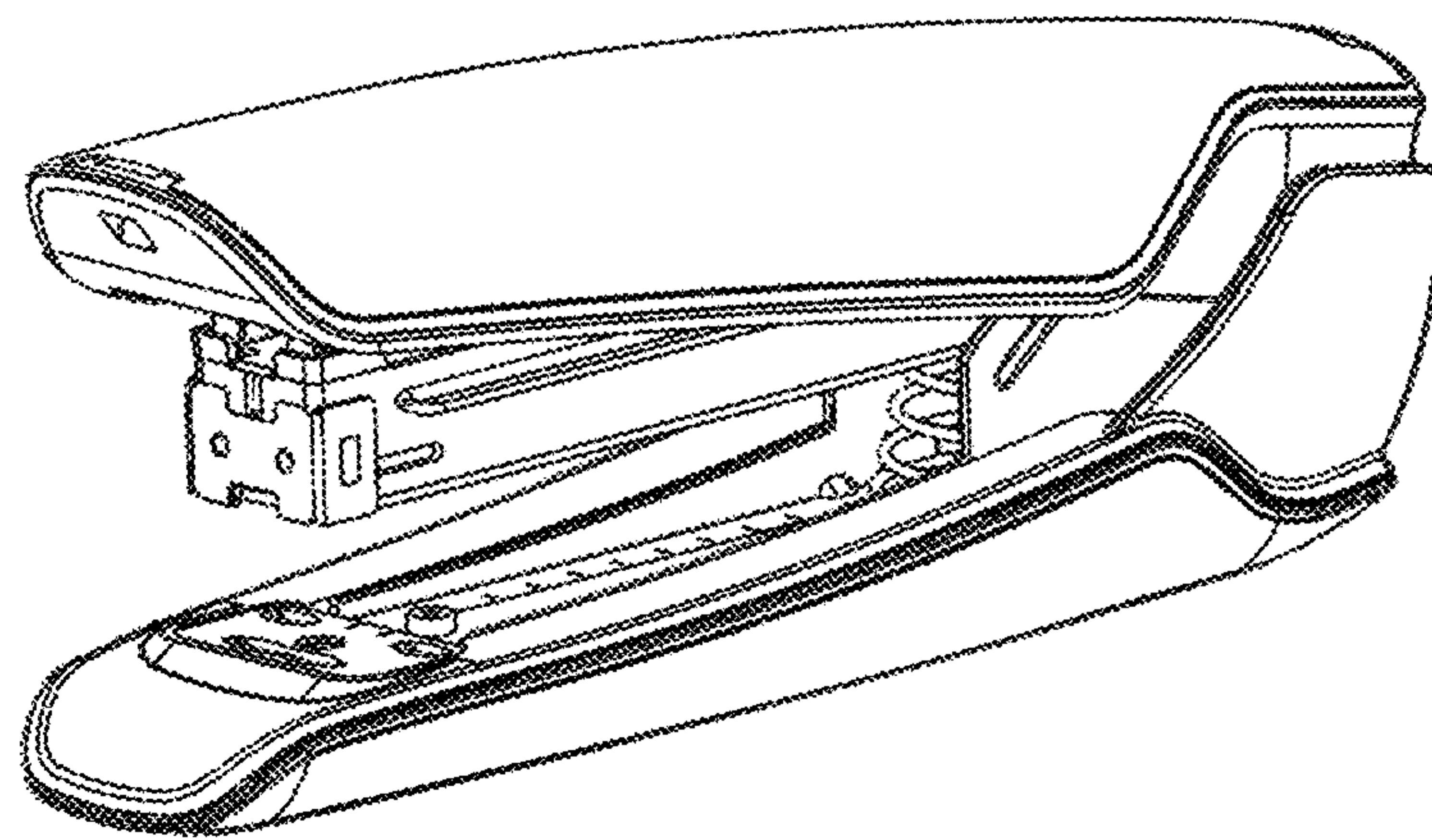


FIG. 1

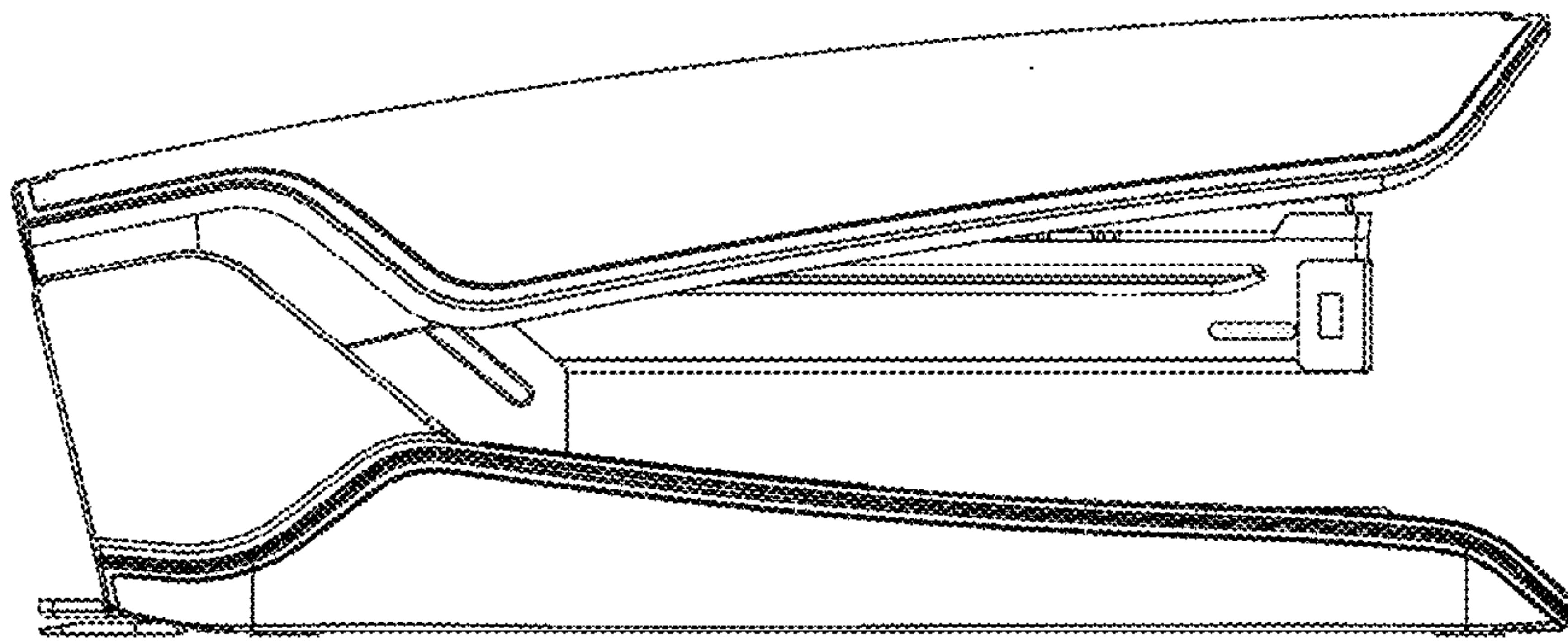


FIG. 2

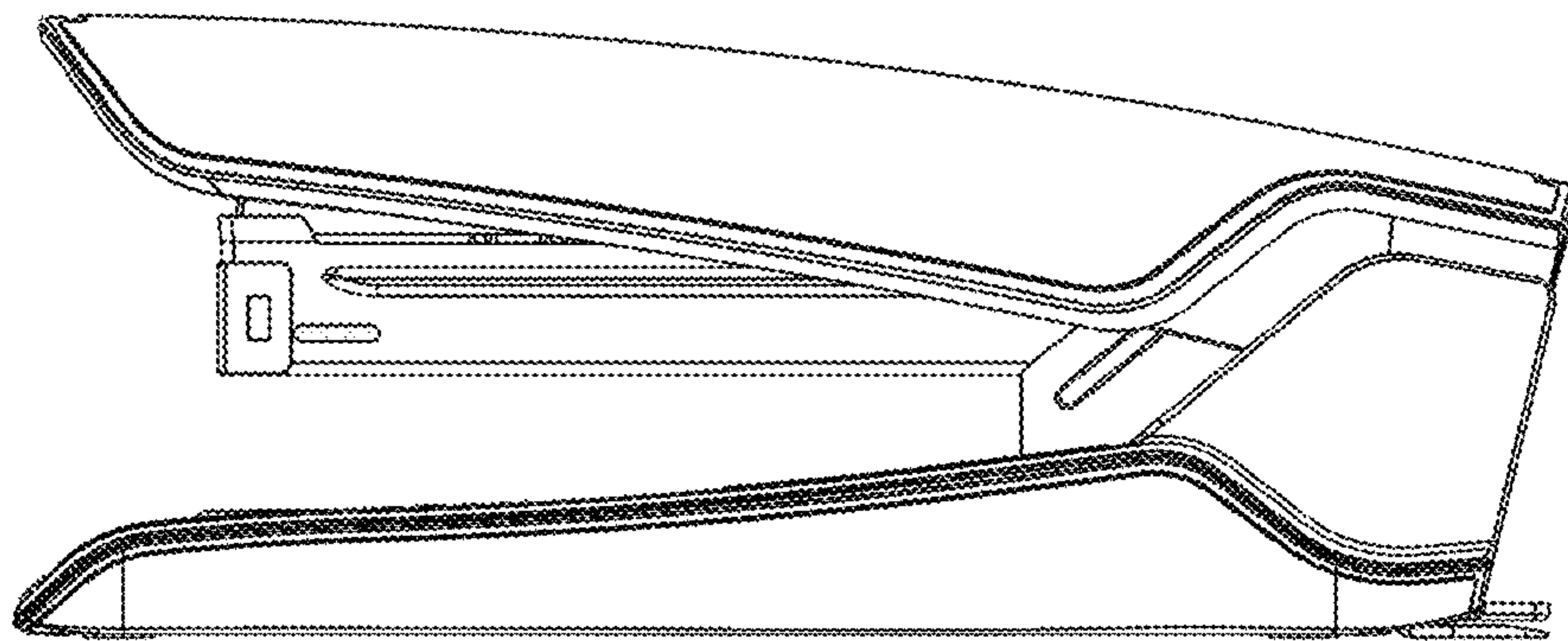


FIG. 3

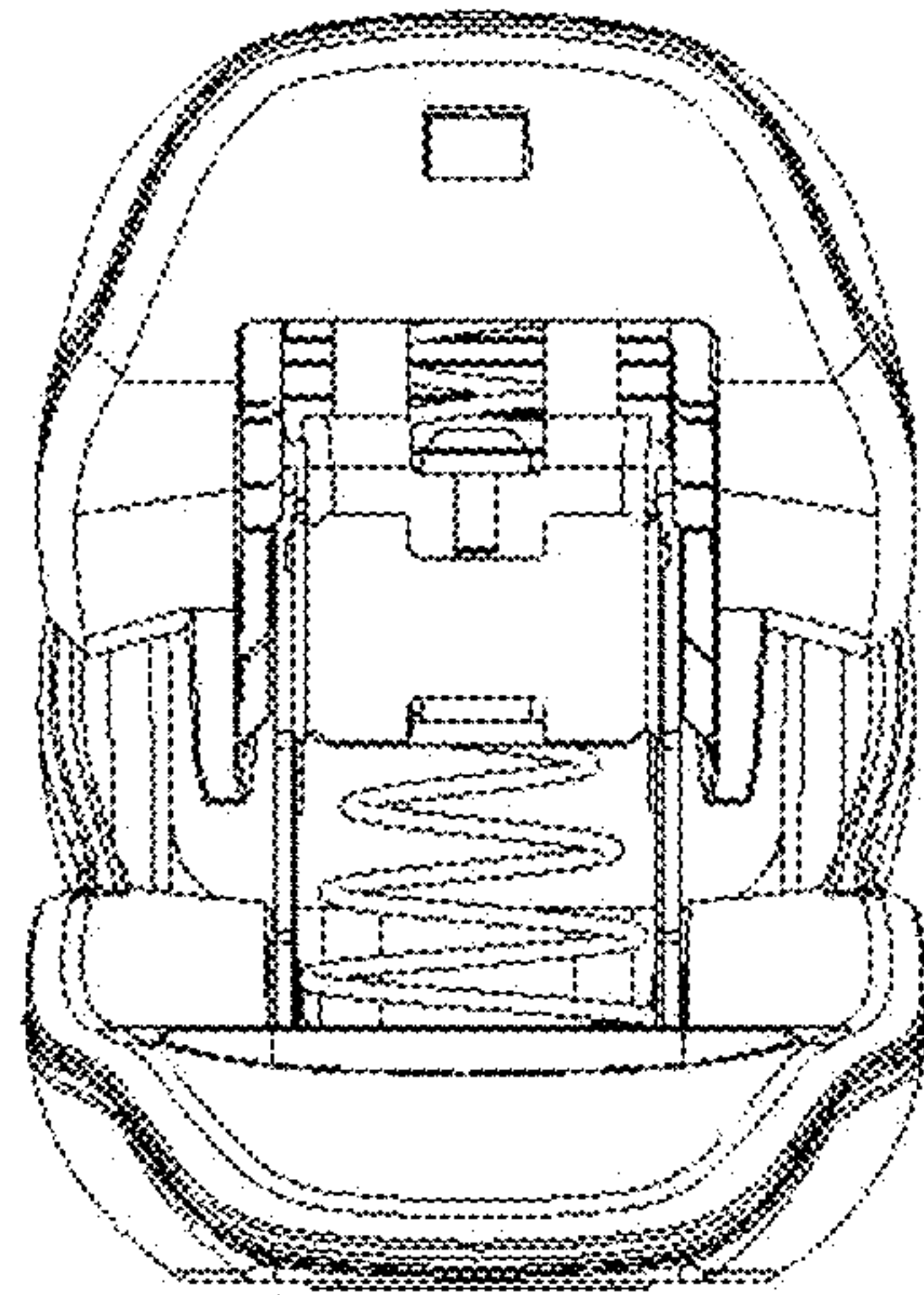


FIG. 4

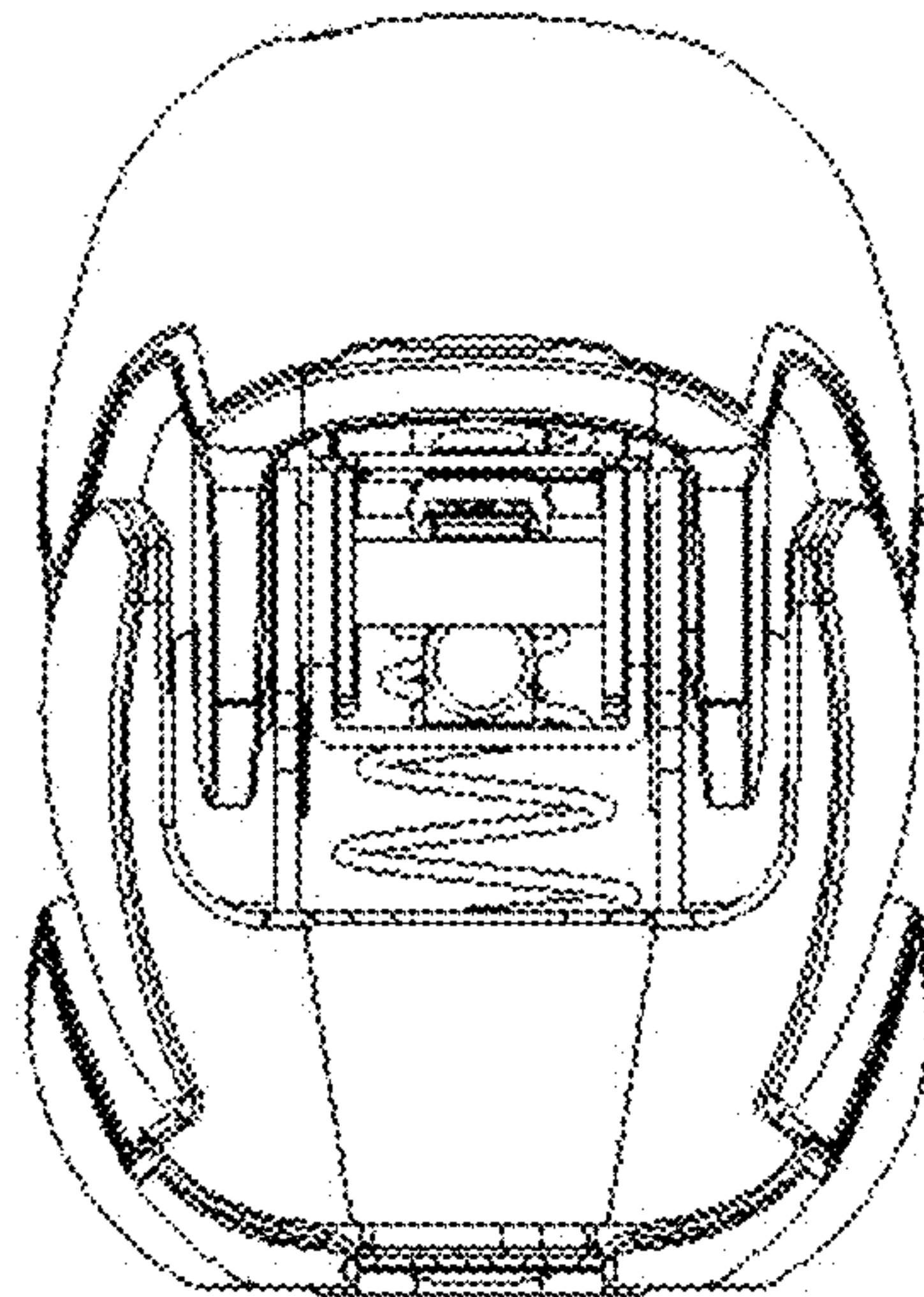


FIG. 5



FIG. 6

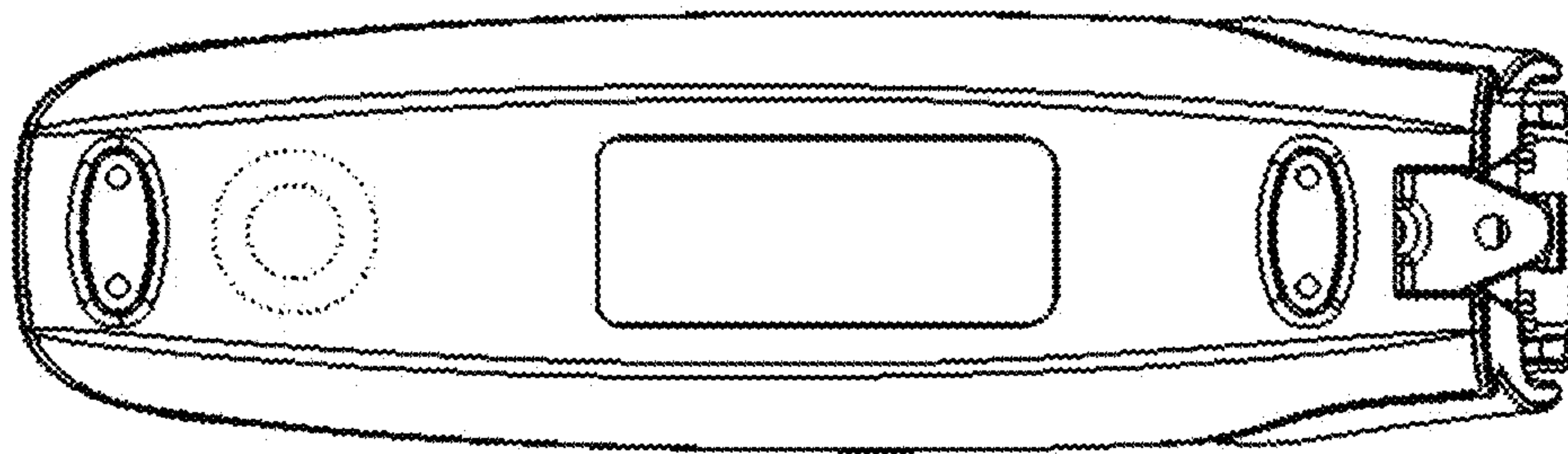


FIG. 7