



US00D785423S

(12) **United States Design Patent**
Liu

(10) **Patent No.:** **US D785,423 S**

(45) **Date of Patent:** **** May 2, 2017**

(54) **DUAL-HEAD WRENCH**

(71) Applicant: **Chao-Chih Liu**, Taichung (TW)

(72) Inventor: **Chao-Chih Liu**, Taichung (TW)

(**) Term: **15 Years**

(21) Appl. No.: **29/563,928**

(22) Filed: **May 9, 2016**

(51) **LOC (10) Cl.** **08-05**

(52) **U.S. Cl.**
USPC **D8/25**

(58) **Field of Classification Search**
USPC D8/17, 21-29; 81/58, 58.2, 119, 124.4,
81/125.1, 186, 121.1, 60, 63.1
CPC B25B 13/02; B25B 13/08; B25B 13/04;
B25B 13/065; B25B 13/46; B25B 13/463
See application file for complete search history.

(56) **References Cited**

U.S. PATENT DOCUMENTS

D429,979 S *	8/2000	Chiang	D8/25
D431,763 S *	10/2000	Liu	D8/25
D459,960 S *	7/2002	Wei	D8/25
D504,057 S *	4/2005	Tuanmu	D8/25
D514,903 S *	2/2006	Tuanmu	D8/25
D515,889 S *	2/2006	Hu	D8/25

D559,054 S *	1/2008	Tuan Mu	D8/25
D700,485 S *	3/2014	Liu	D8/25
D746,115 S *	12/2015	Liu	D8/25

* cited by examiner

Primary Examiner — Randall Gholson

(74) *Attorney, Agent, or Firm* — Rosenberg, Klein & Lee

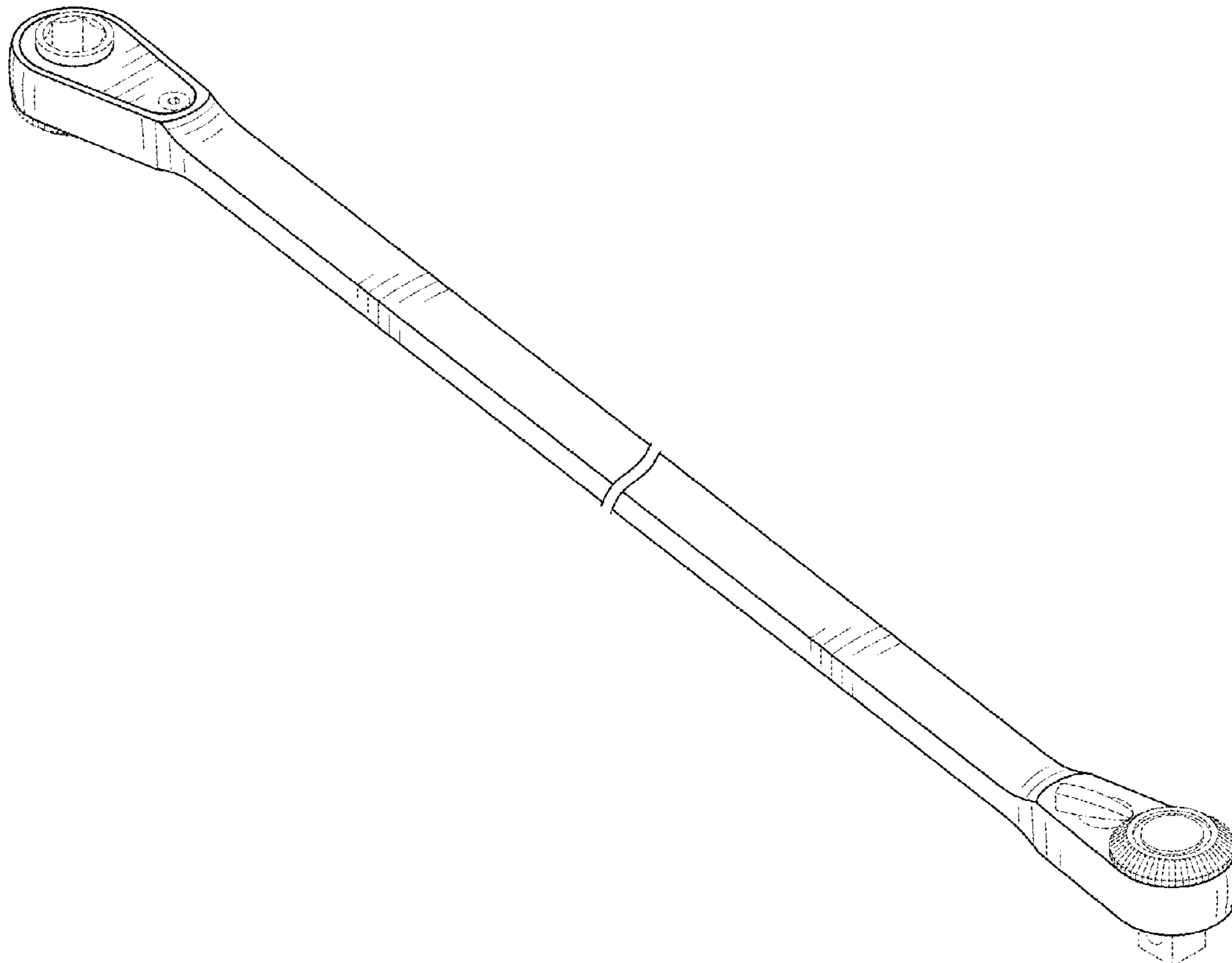
(57) **CLAIM**

The ornamental design for a dual-head wrench, as shown and described.

DESCRIPTION

FIG. 1 is a front-right-top perspective view of the dual-head wrench showing my new design;
FIG. 2 is a front elevational view thereof;
FIG. 3 is a rear front elevational view thereof;
FIG. 4 is a left side elevational view thereof;
FIG. 5 is a right side elevational view thereof;
FIG. 6 is a top plan view thereof;
FIG. 7 is a bottom plan view thereof; and,
FIG. 8 is a front-right-bottom perspective view thereof.
The broken lines in the drawings depict environmental subject matter only and form no part of the claimed design.
The dual-head wrench is shown with a symbolic break in its length. The appearance of any portion of the article between the break lines forms no part of the claimed design.

1 Claim, 5 Drawing Sheets



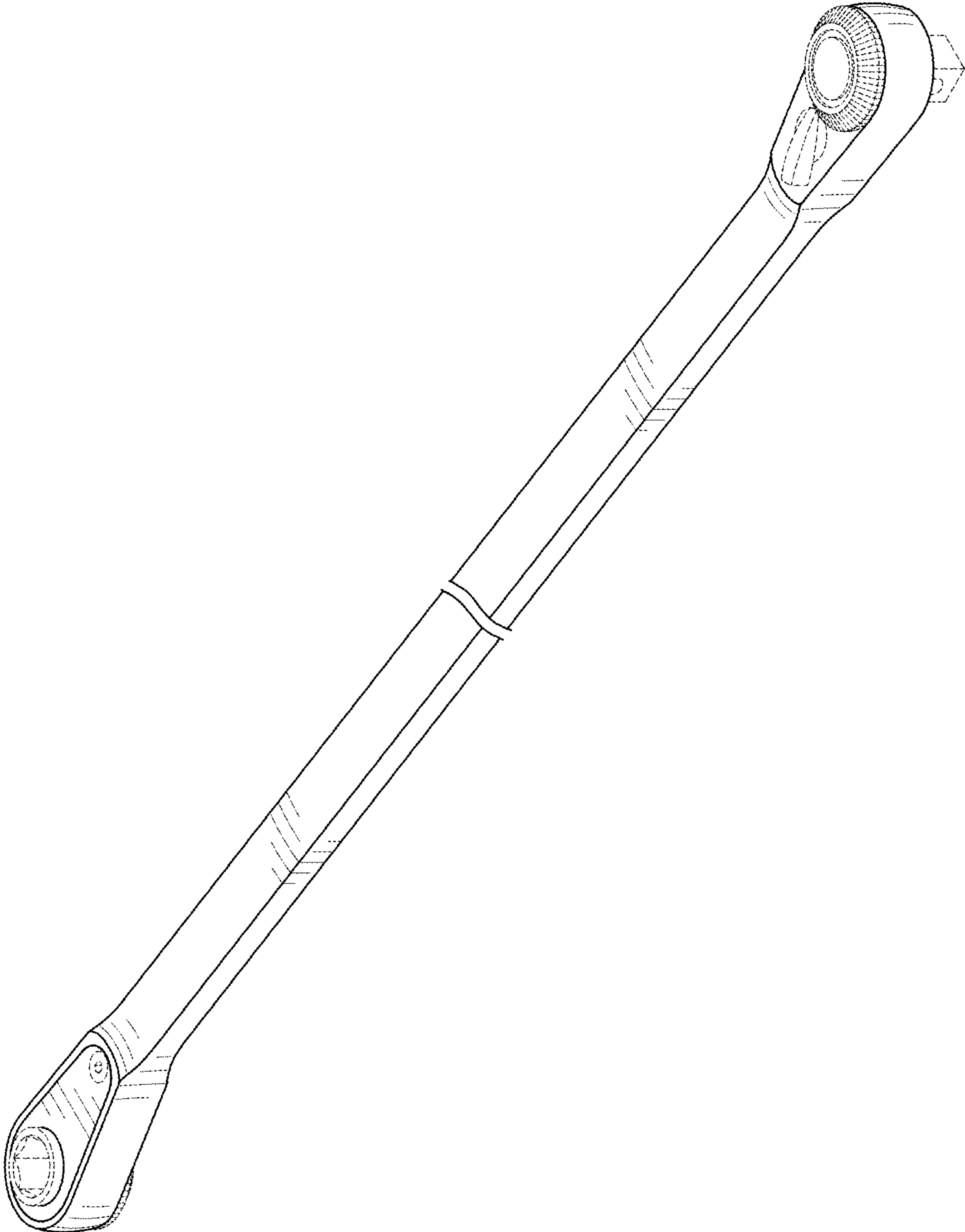


FIG.1

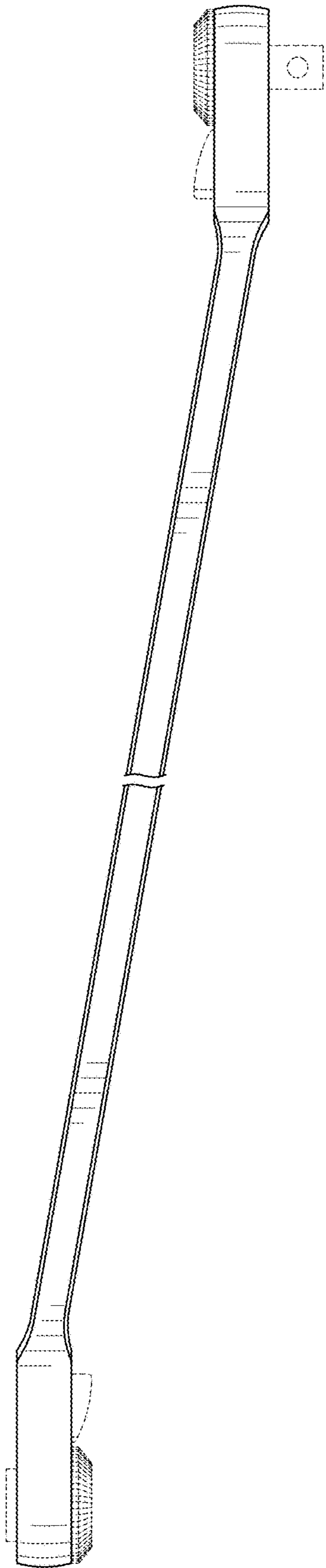


FIG. 2

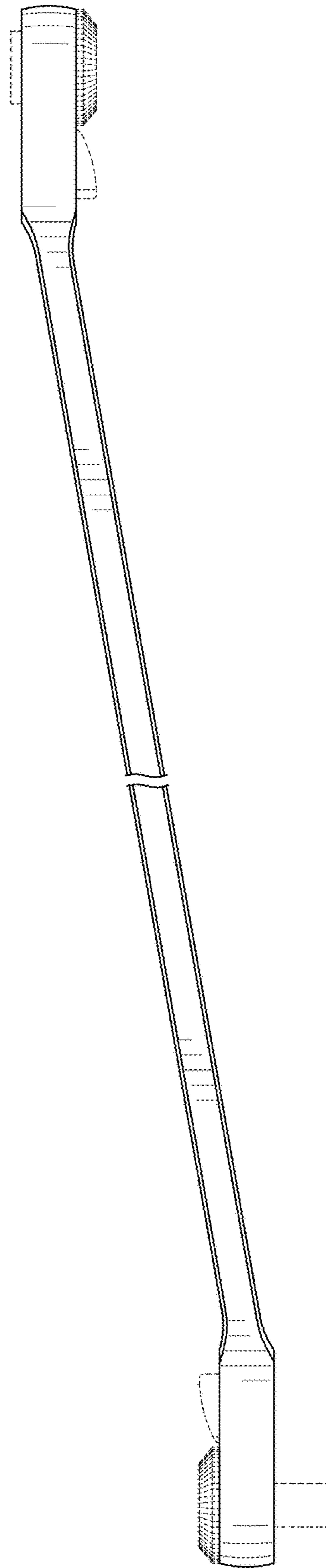


FIG. 3

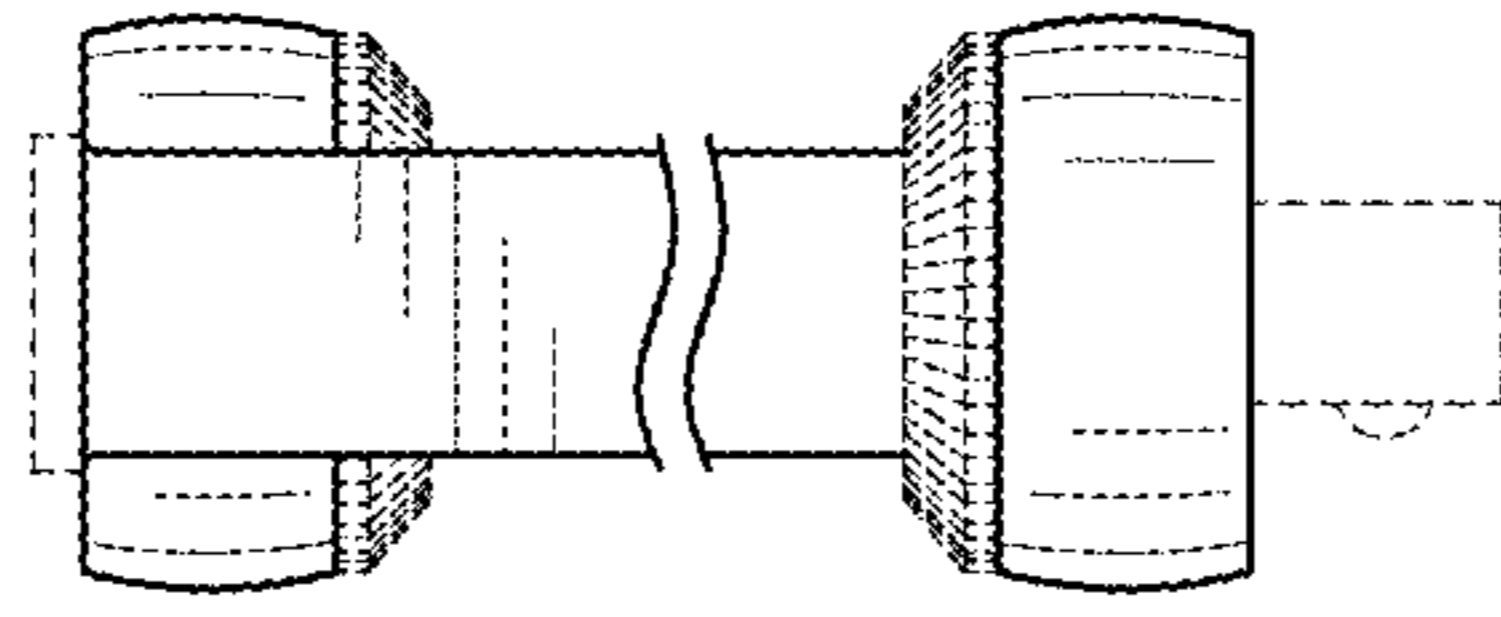


FIG.5

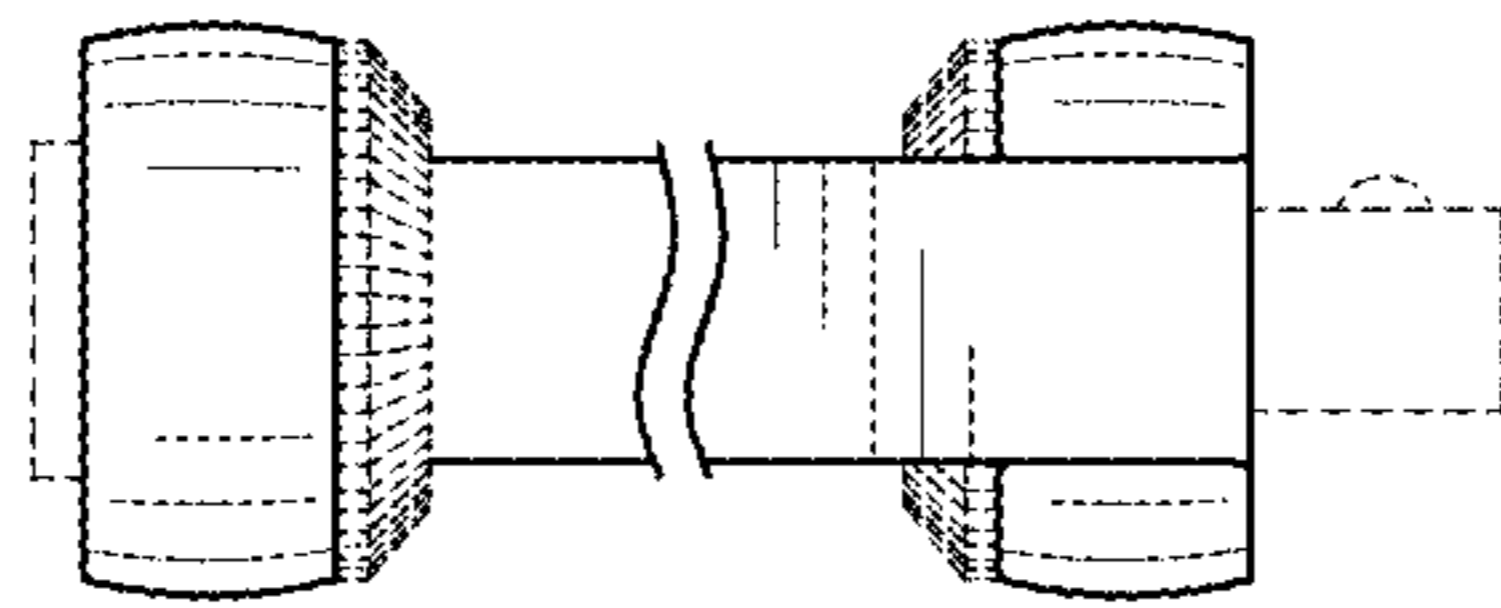


FIG.4

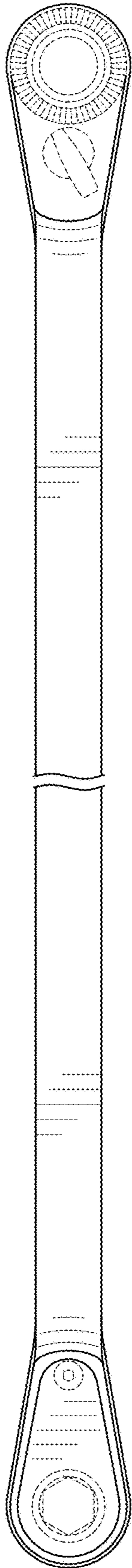


FIG. 6

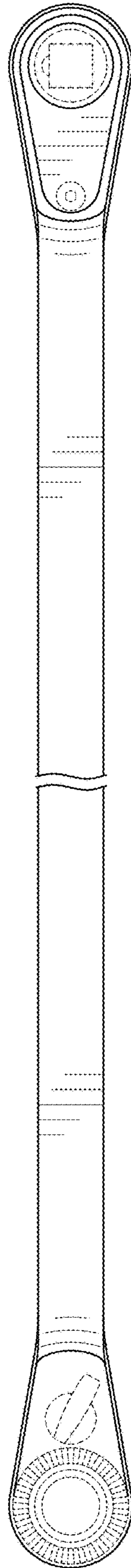


FIG. 7

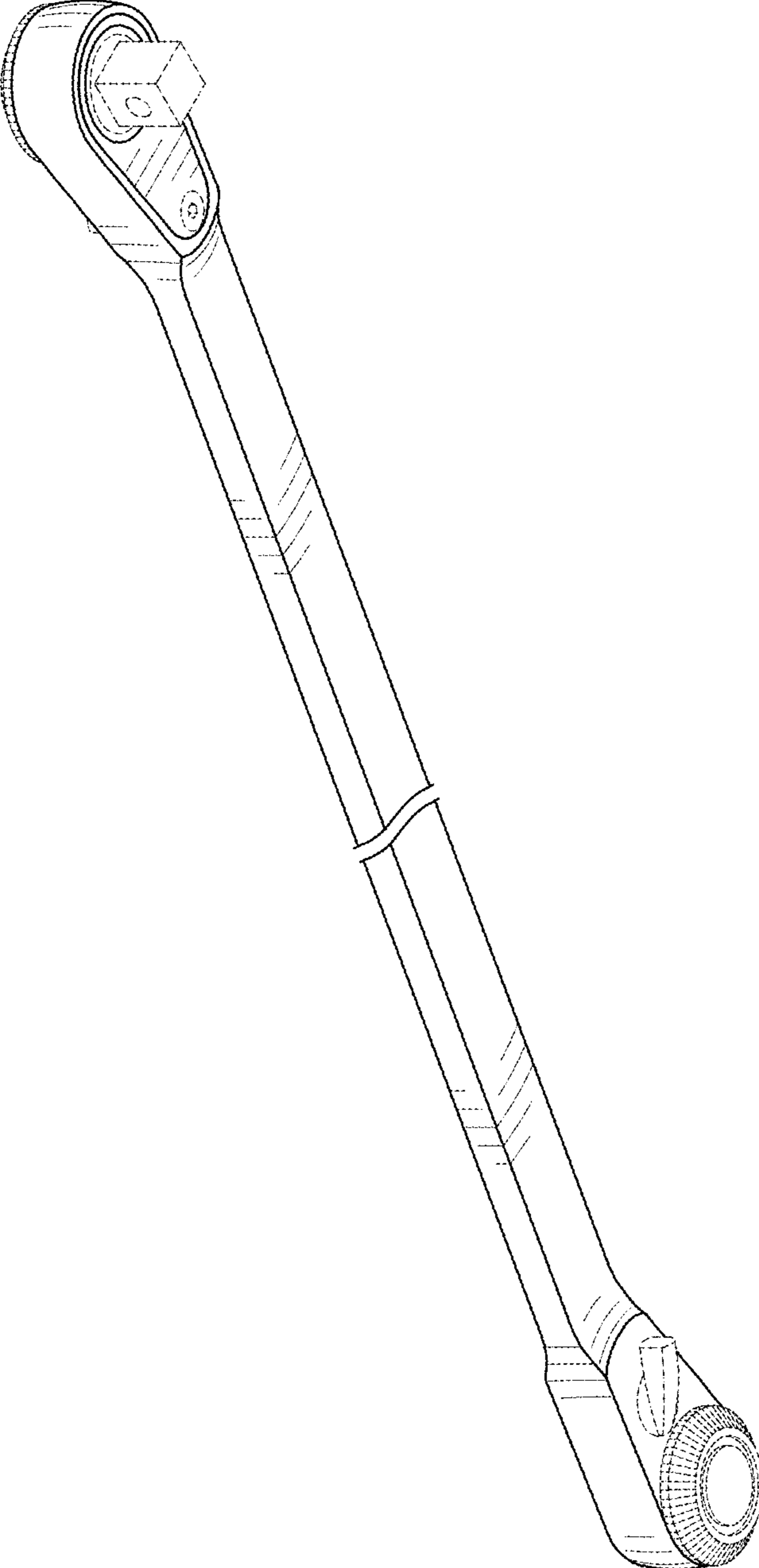


FIG.8