



US00D785421S

(12) **United States Design Patent**  
**Park et al.**

(10) **Patent No.:** **US D785,421 S**

(45) **Date of Patent:** **\*\* May 2, 2017**

- (54) **BICYCLE MULTI-TOOL**
- (71) Applicant: **Bell Sports, Inc.**, Scotts Valley, CA (US)
- (72) Inventors: **Stephen C. Park**, San Jose, CA (US);  
**Mark Matson**, Santa Cruz, CA (US)
- (73) Assignee: **Bell Sports, Inc.**, Scotts Valley, CA (US)
- (\*\*) Term: **15 Years**
- (21) Appl. No.: **29/539,851**
- (22) Filed: **Sep. 17, 2015**
- (51) **LOC (10) Cl.** ..... **08-05**
- (52) **U.S. Cl.**  
USPC ..... **D8/21**
- (58) **Field of Classification Search**  
USPC ..... D8/17, 21-29; 81/60, 177.1, 177.85,  
81/121.1, 124.3, 165-170, 110.1, 176.2,  
81/124.6, 176.1, 176.15, 177.2; 16/110.1;  
D15/144.1; 219/75, 227, 229, 121.16,  
219/121.18  
CPC ..... B25B 13/00  
See application file for complete search history.

- 6,564,678 B1 \* 5/2003 Wang ..... B25B 13/56  
7/118
- D522,820 S \* 6/2006 Chang ..... D8/21
- D632,155 S \* 2/2011 Lai ..... D8/107
- D677,552 S \* 3/2013 Johnson ..... D8/105
- D681,336 S \* 5/2013 Zhang ..... D3/315
- D688,462 S \* 8/2013 Kinskey ..... D3/228
- D708,036 S \* 7/2014 Johnson ..... D8/105
- 9,102,041 B2 \* 8/2015 Chen ..... B25B 13/56
- 9,193,062 B2 \* 11/2015 Johnson ..... B25H 3/04

\* cited by examiner

*Primary Examiner* — Randall Gholson

(74) *Attorney, Agent, or Firm* — Booth Udall Fuller, PLC

(57) **CLAIM**

We claim the ornamental design for a bicycle multi-tool, as shown and described.

**DESCRIPTION**

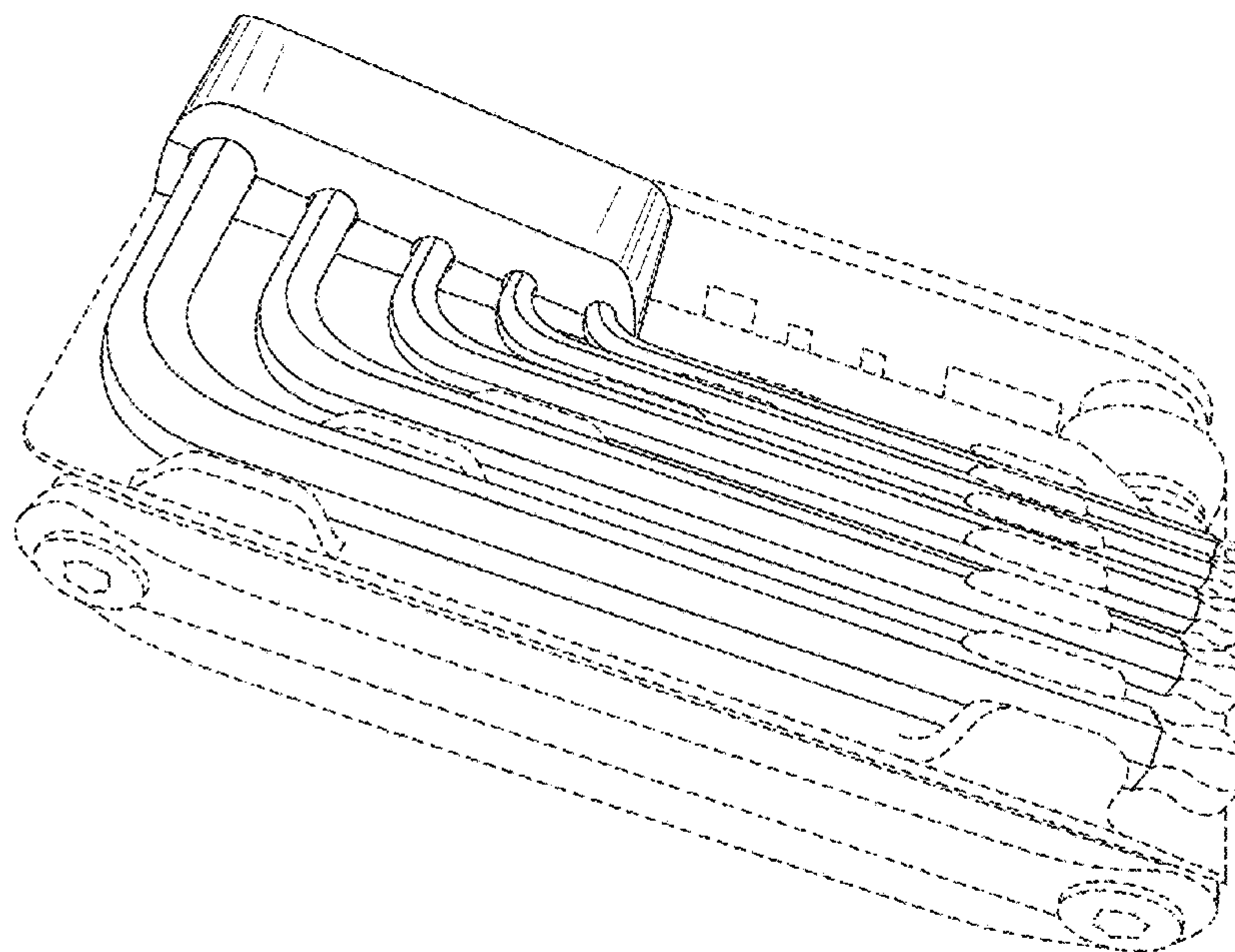
FIG. 1 is a perspective view of a bicycle multi-tool;  
 FIG. 2 is a top view thereof;  
 FIG. 3 is a bottom view thereof;  
 FIG. 4 is a left side view thereof;  
 FIG. 5 is a right side view thereof;  
 FIG. 6 is a top view thereof;  
 FIG. 7 is a bottom view thereof; and,  
 FIG. 8 is a perspective view of the bicycle multi-tool of FIG. 1 with the allen wrenches removed from view.  
 The broken lines are included for the purpose of illustrating environmental features and form no part of the claimed design.

**1 Claim, 4 Drawing Sheets**

(56) **References Cited**

U.S. PATENT DOCUMENTS

- 3,943,801 A \* 3/1976 Yates ..... B25B 13/56  
81/440
- D412,823 S \* 8/1999 Liao ..... D8/105
- 6,286,397 B1 \* 9/2001 Taggart ..... B25F 1/04  
7/118
- D461,311 S \* 8/2002 Gharib ..... D3/315



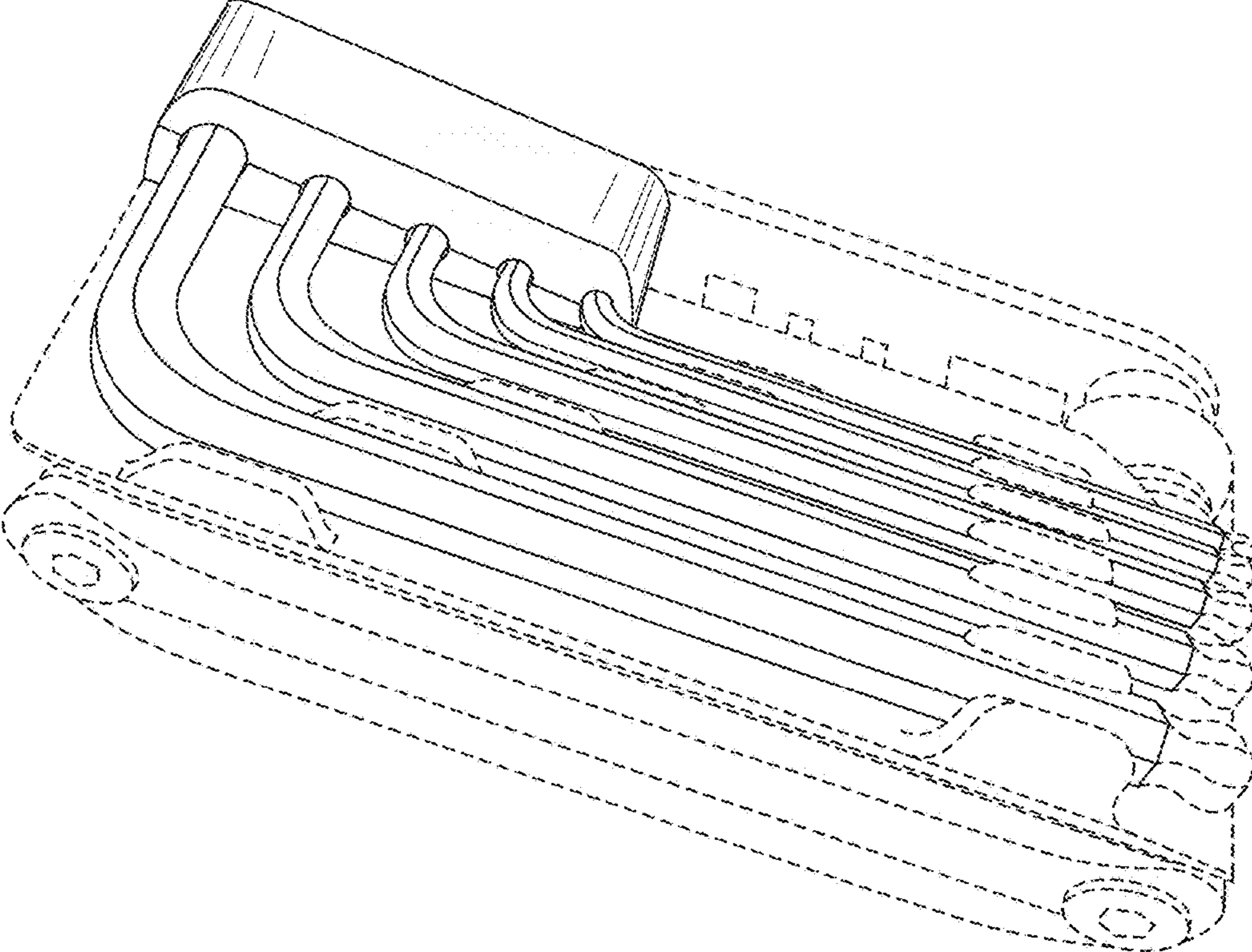


FIG. 1

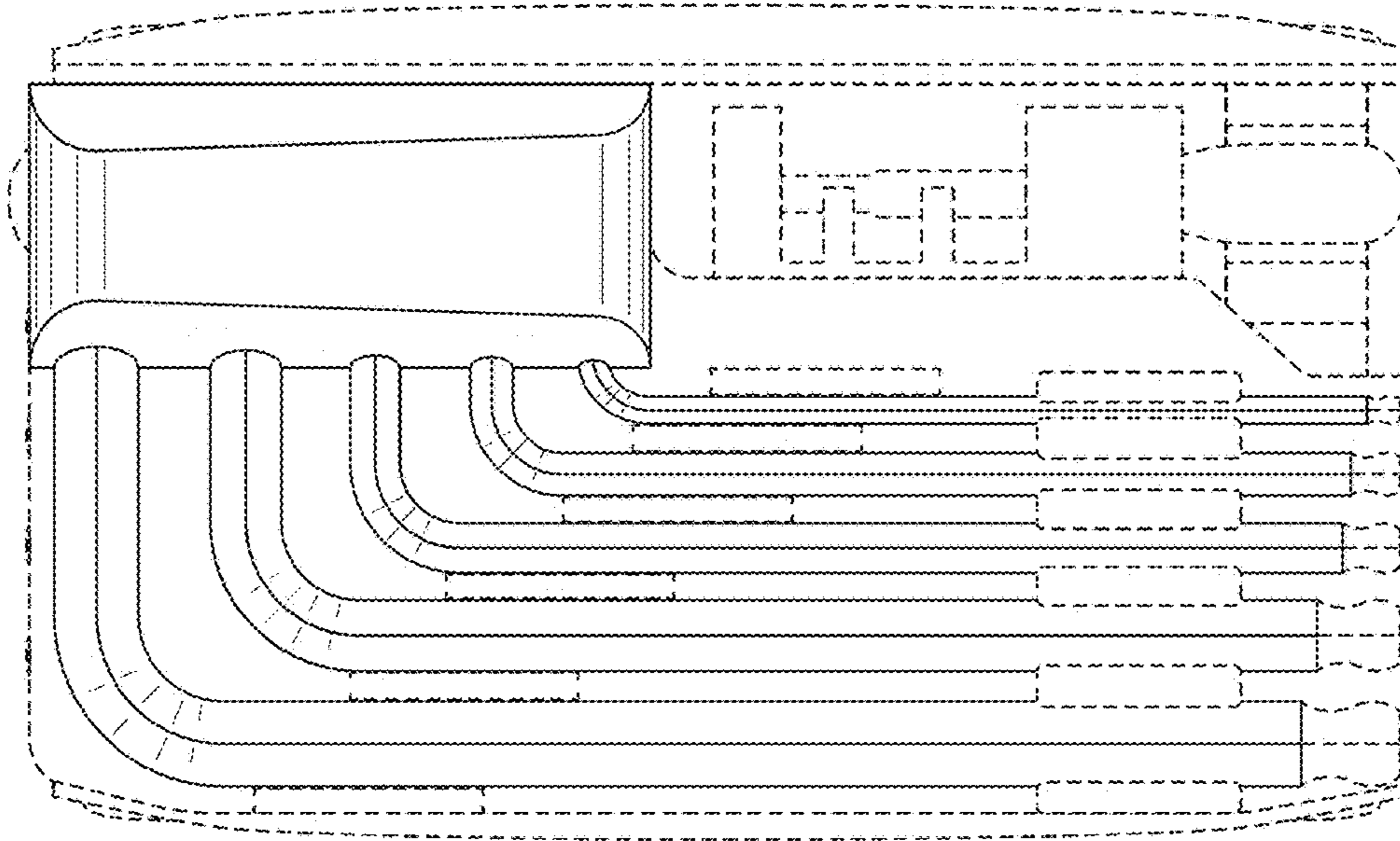


FIG. 2

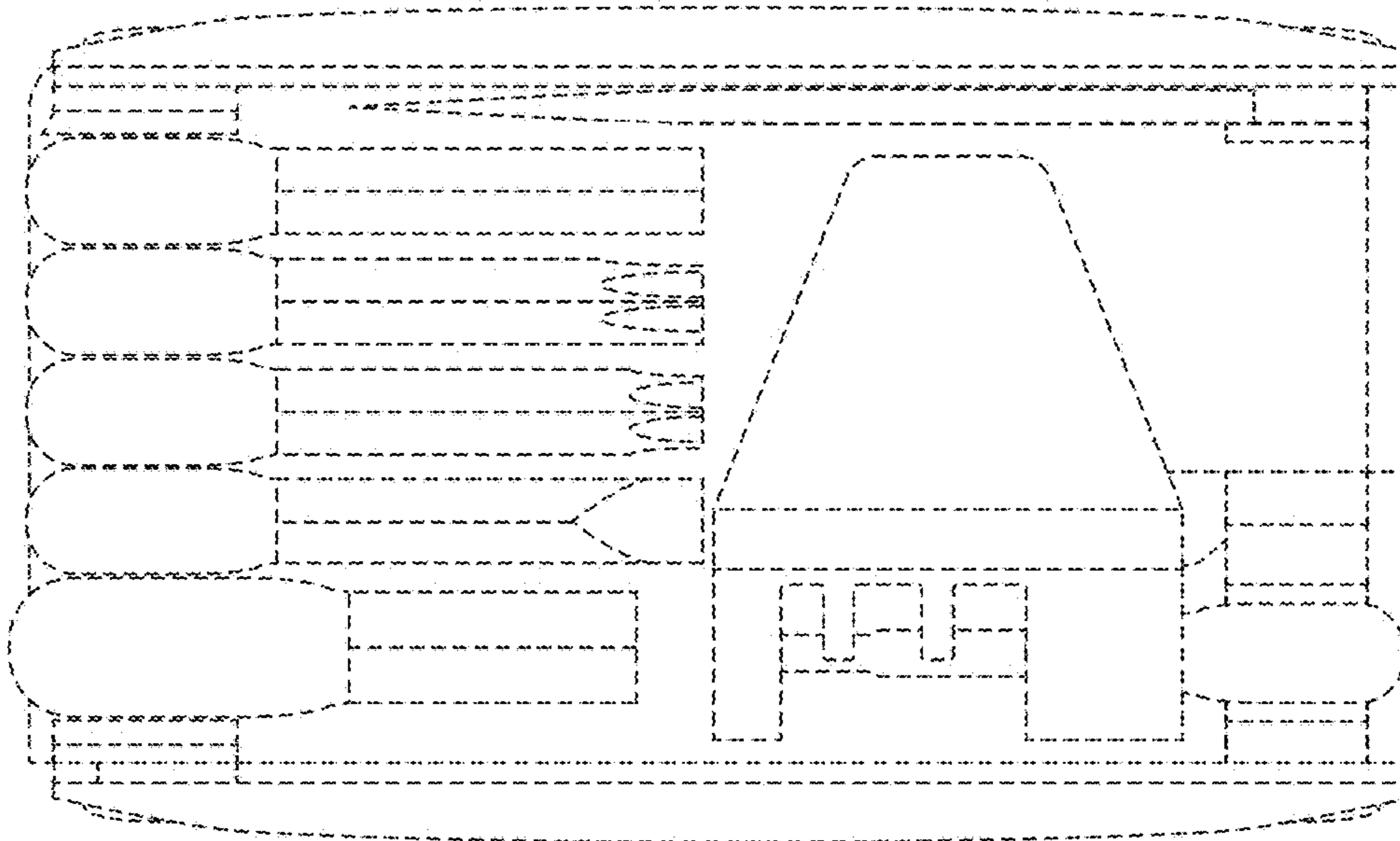


FIG. 3

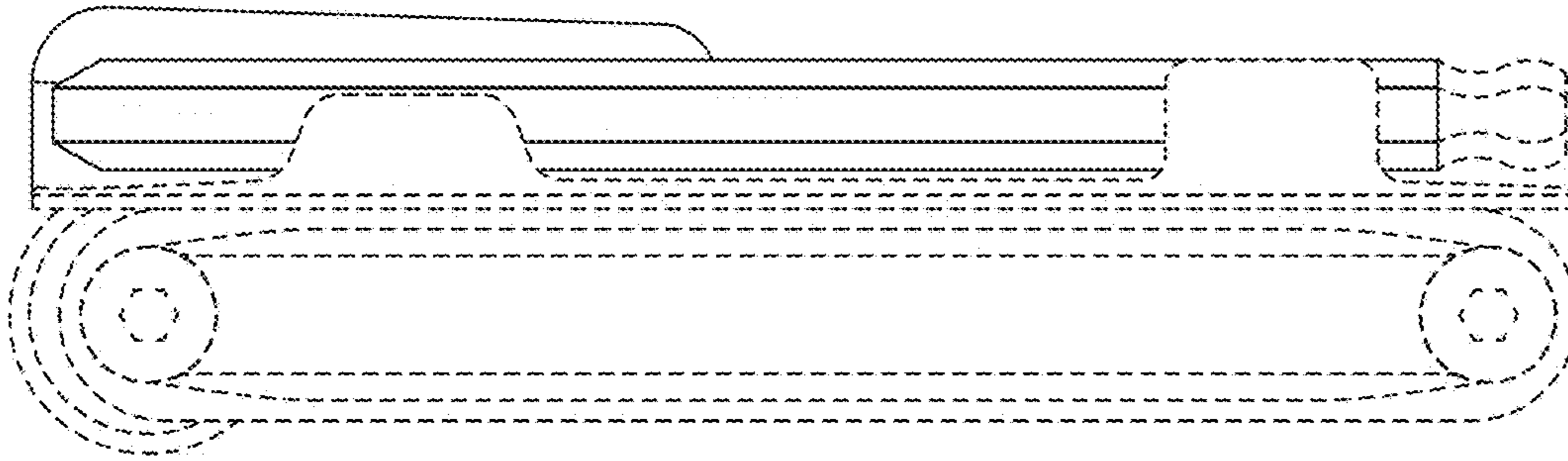


FIG. 4

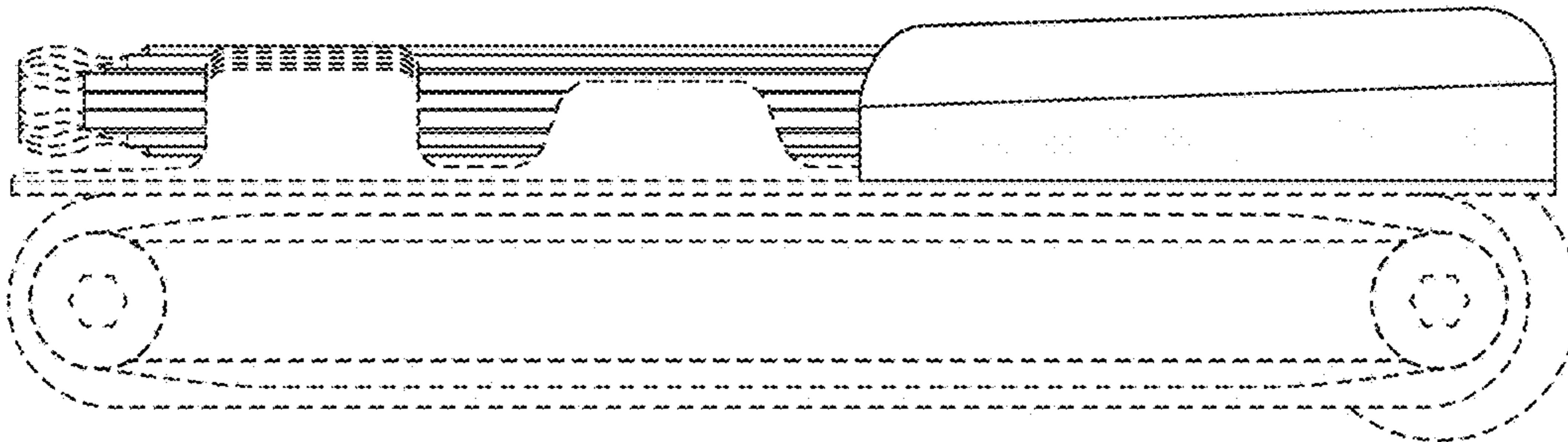


FIG. 5

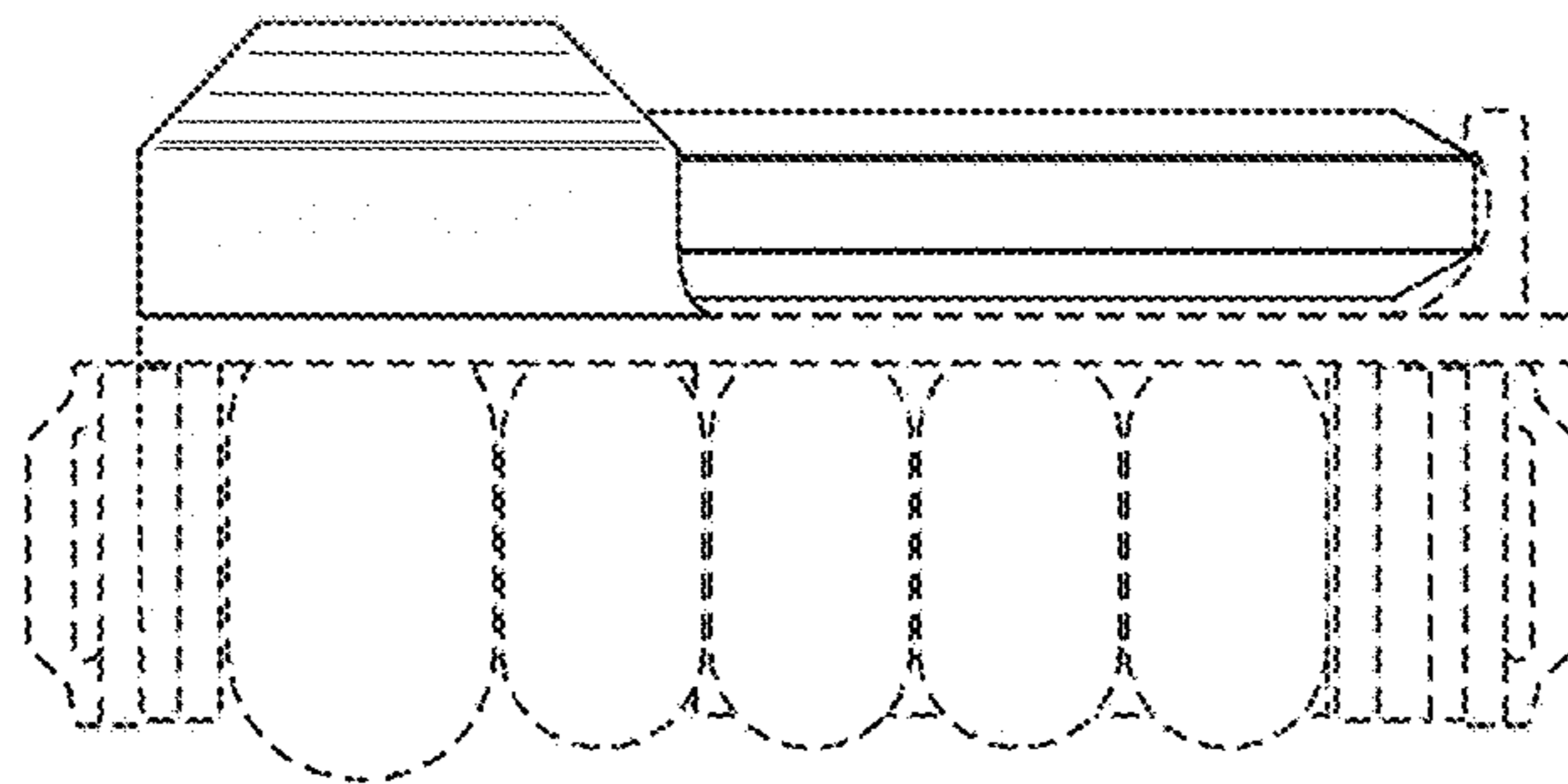


FIG. 6

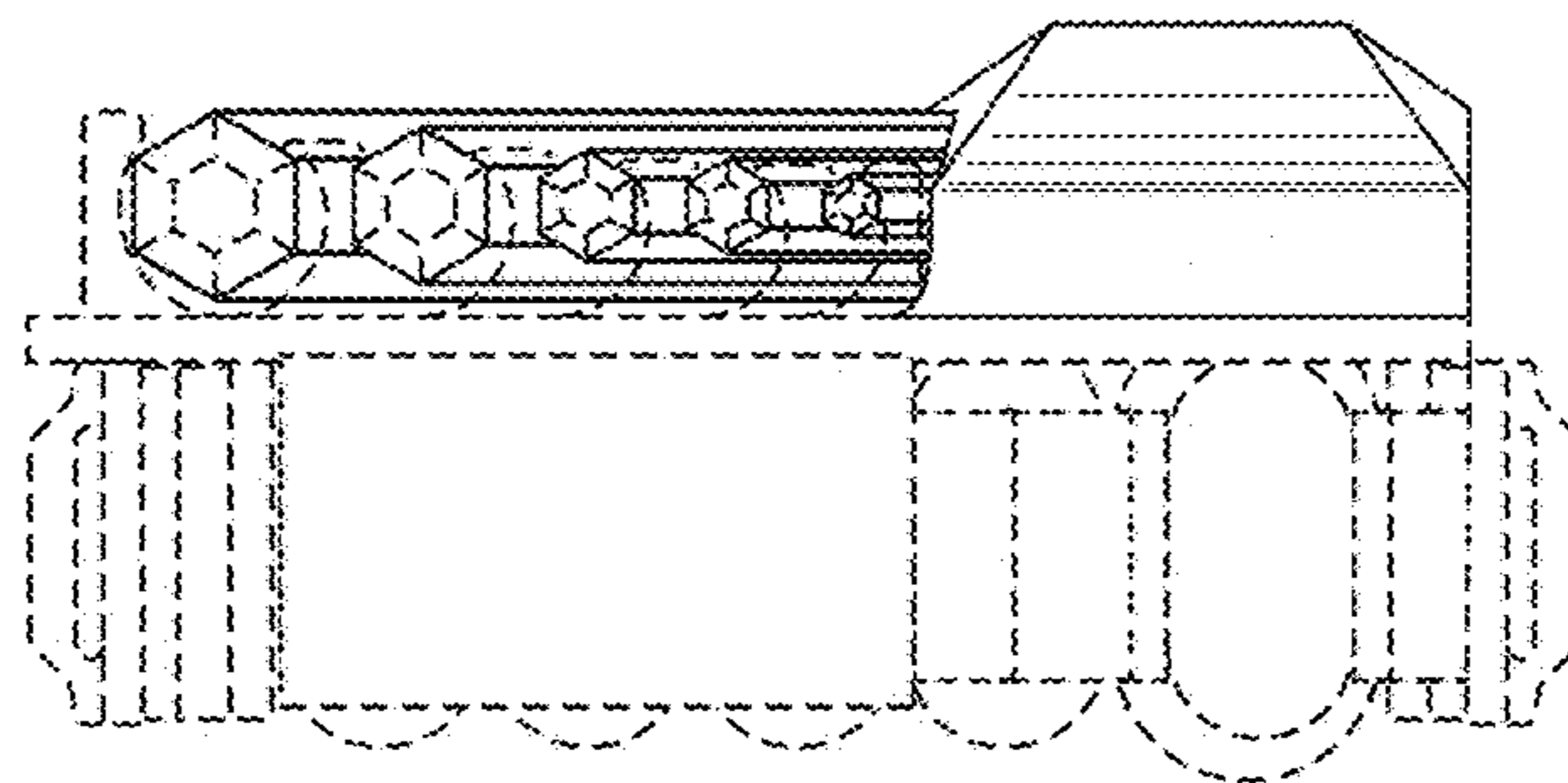


FIG. 7

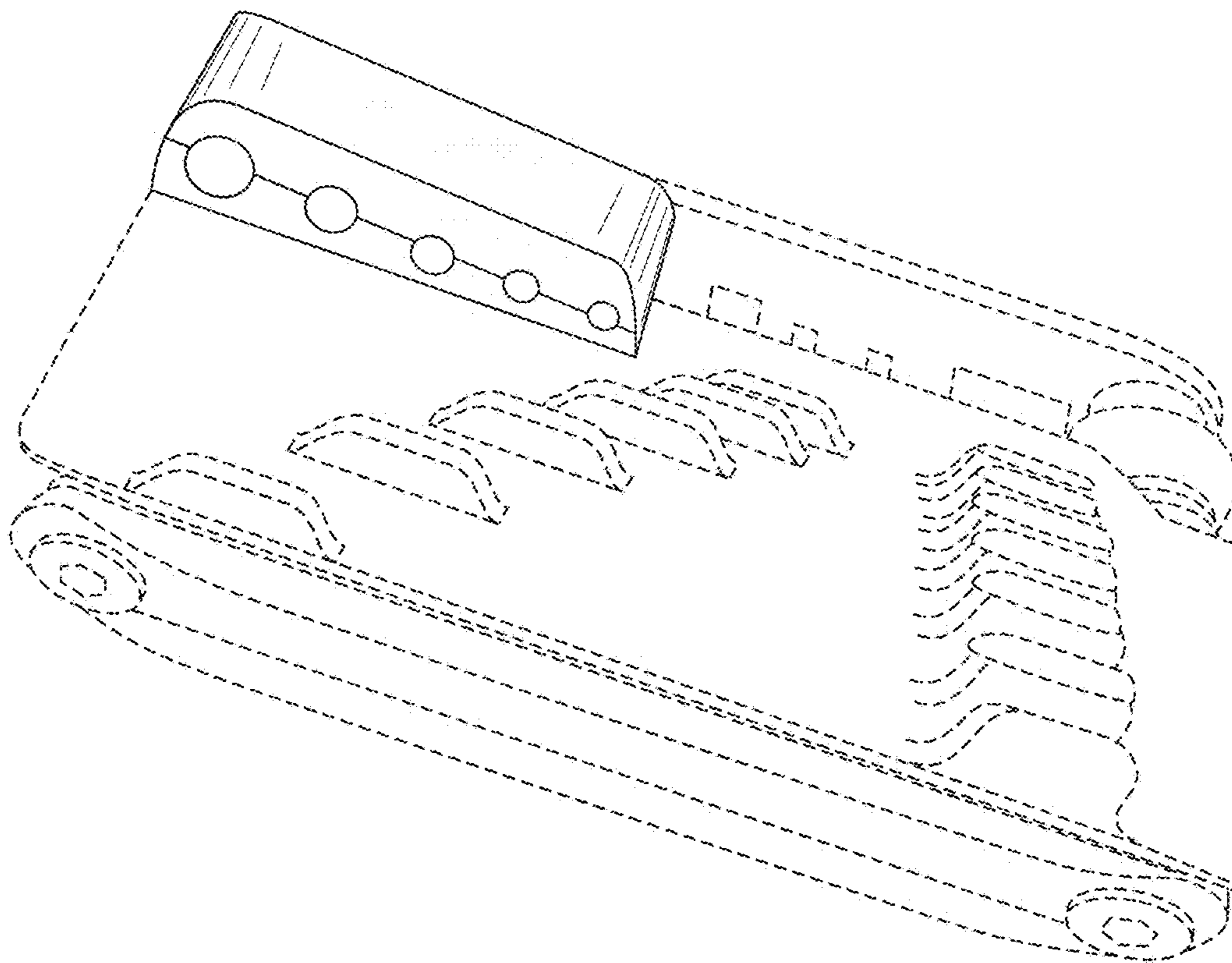


FIG. 8