



US00D785419S

(12) **United States Design Patent** (10) **Patent No.:** **US D785,419 S**  
**Ortiz** (45) **Date of Patent:** **\*\* May 2, 2017**

(54) **CYCLONIC WEED EXTRACTOR**  
(71) Applicant: **TURBO-PLUS INC.**, Vaughan (CA)  
(72) Inventor: **George A. Ortiz**, La Mirada, CA (US)  
(73) Assignee: **TURBO-PLUS INC.** (CA)  
(\*\*) Term: **14 Years**  
(21) Appl. No.: **29/515,881**  
(22) Filed: **Jan. 28, 2015**

(30) **Foreign Application Priority Data**  
Aug. 20, 2014 (CA) ..... 158265  
(51) **LOC (10) Cl.** ..... **08-08**  
(52) **U.S. Cl.**  
USPC ..... **D8/8**  
(58) **Field of Classification Search**  
USPC ..... D8/1, 7, 8, 9; D15/11, 21, 28, 29  
CPC ..... A01B 1/16; A01B 1/165; A01B 1/065;  
A01B 1/10; A01B 1/12; A01B 1/243;  
A01B 33/00  
See application file for complete search history.

(56) **References Cited**  
U.S. PATENT DOCUMENTS  
1,134,618 A \* 4/1915 Kaufman ..... A01B 1/165  
294/50.7  
2,809,067 A \* 10/1957 Macchi ..... A01B 1/16  
111/99  
2,885,240 A \* 5/1959 Andrews ..... A01B 1/16  
294/50.8  
D318,993 S \* 8/1991 Brady ..... D8/13  
5,330,010 A \* 7/1994 Smotherman ..... A01B 1/16  
172/25  
5,452,767 A \* 9/1995 Smotherman ..... A01B 1/16  
172/25  
D364,785 S \* 12/1995 Archambeau ..... D25/131  
D426,435 S \* 6/2000 Frakes ..... D8/8

D536,226 S \* 2/2007 Yates ..... D8/7  
D537,686 S \* 3/2007 Yates ..... D8/7  
D579,738 S \* 11/2008 Karczewski ..... D8/7  
D668,920 S \* 10/2012 Sandoval ..... D8/1  
D687,683 S \* 8/2013 Lin ..... D8/1  
2004/0089334 A1 \* 5/2004 Ko ..... A01B 1/16  
135/77  
2007/0169949 A1 \* 7/2007 Ortiz ..... A01B 1/243  
172/41  
2014/0027136 A1 \* 1/2014 Chow ..... A01B 33/106  
172/378

**OTHER PUBLICATIONS**

Cyclonic Weed Extractor XL Model, Image post date May 2, 2015, Site visited on Jun. 8, 2016, <<https://vimeo.com/126694856>>.\*

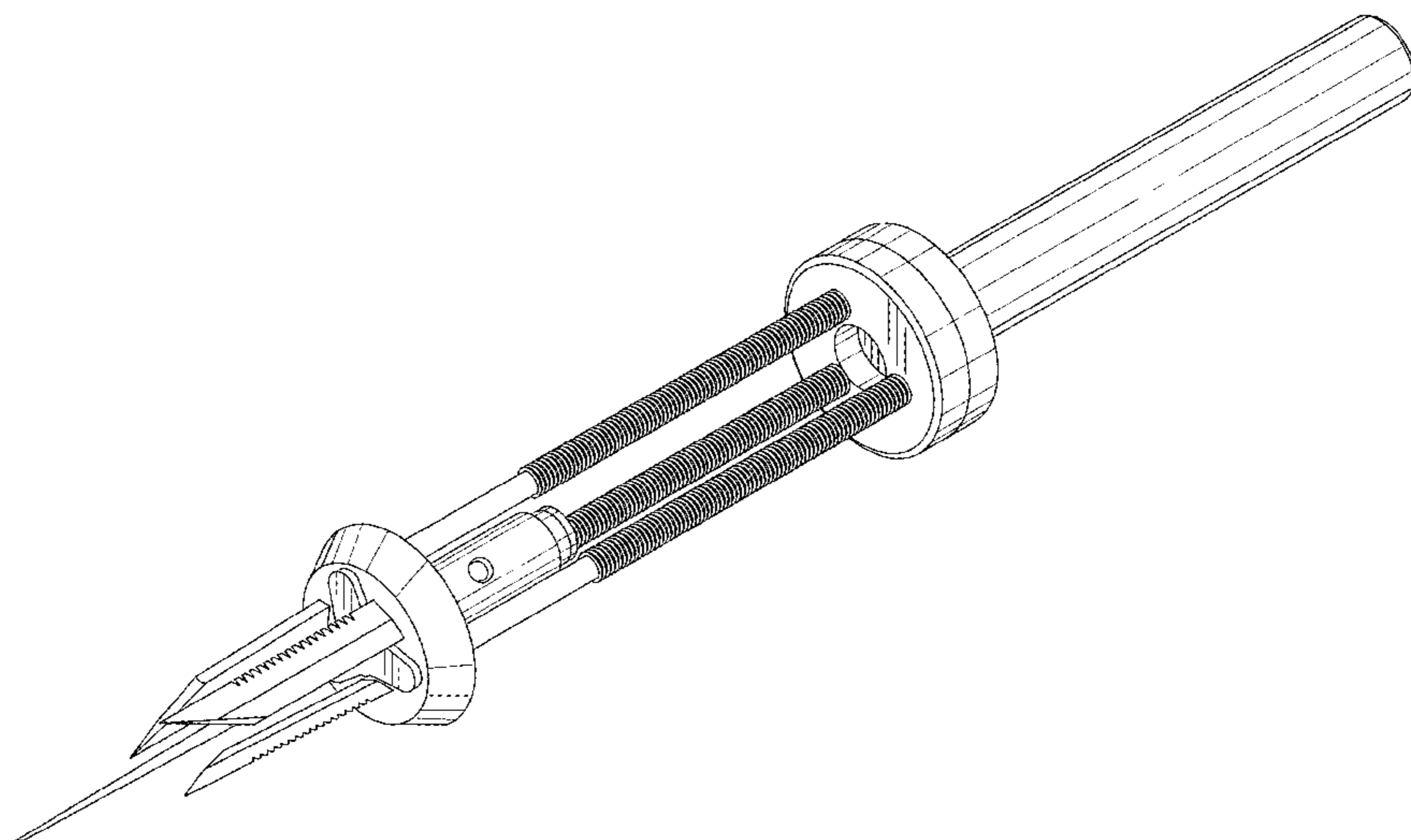
\* cited by examiner  
*Primary Examiner* — Ian Simmons  
*Assistant Examiner* — Ieisha Price  
(74) *Attorney, Agent, or Firm* — Mannava & Kang, P.C.

(57) **CLAIM**  
The ornamental design for a cyclonic weed extractor, as shown and described.

**DESCRIPTION**

FIG. 1 is a perspective view of the cyclonic weed extractor; FIG. 2 is a left side view of the cyclonic weed extractor; FIG. 3 is a right side view of the cyclonic weed extractor; FIG. 4 is a top plan view of the cyclonic weed extractor; FIG. 5 is a bottom plan view of the cyclonic weed extractor; FIG. 6 is a front elevation view of the cyclonic weed extractor; and, FIG. 7 is a back elevation view of the cyclonic weed extractor. The broken lines in the drawings illustrate portions of the cyclonic weed extractor and form no part of the claimed design.

**1 Claim, 4 Drawing Sheets**



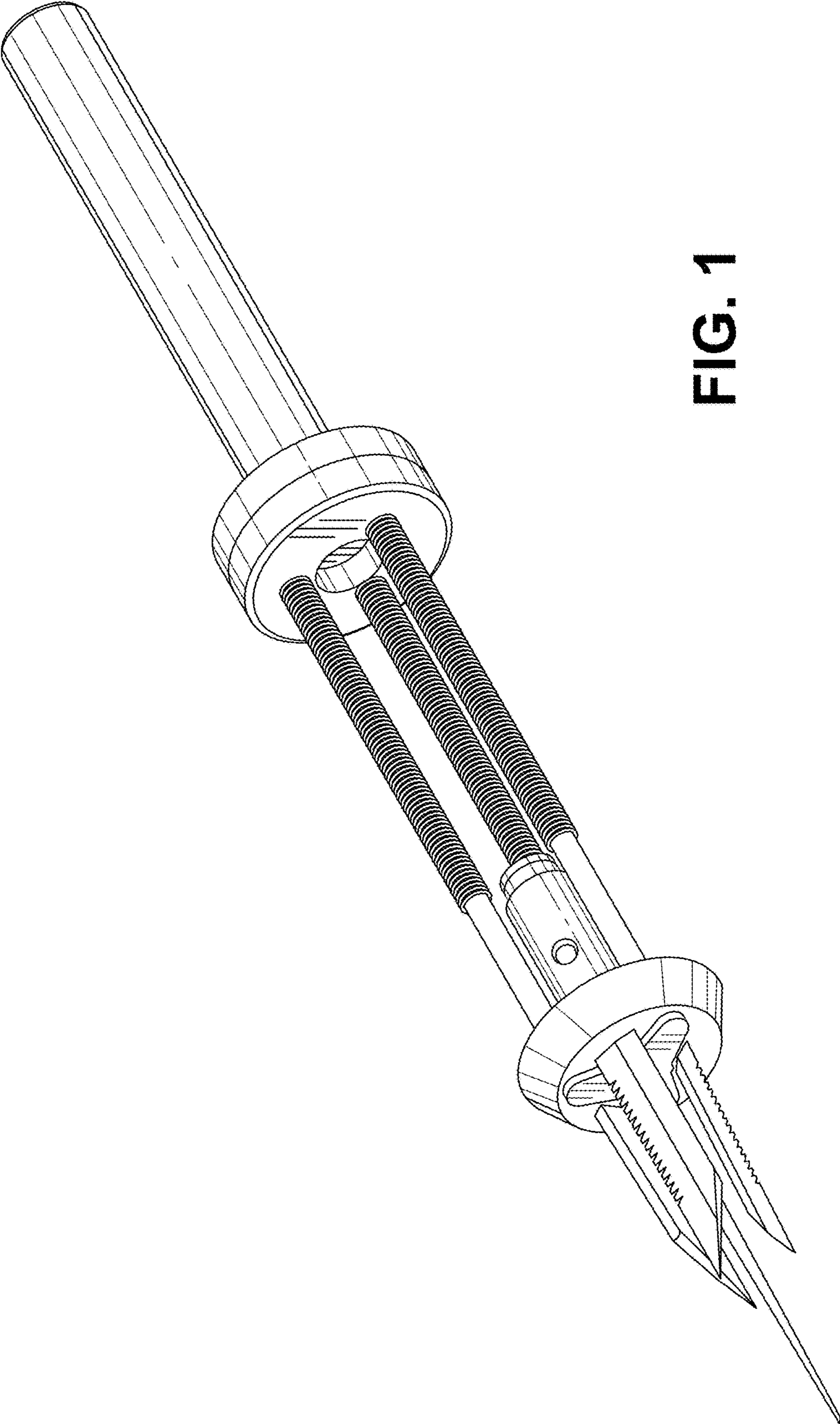
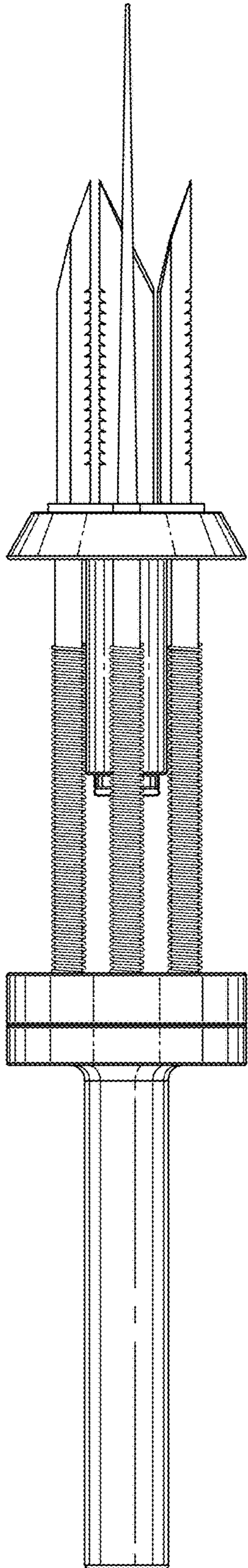
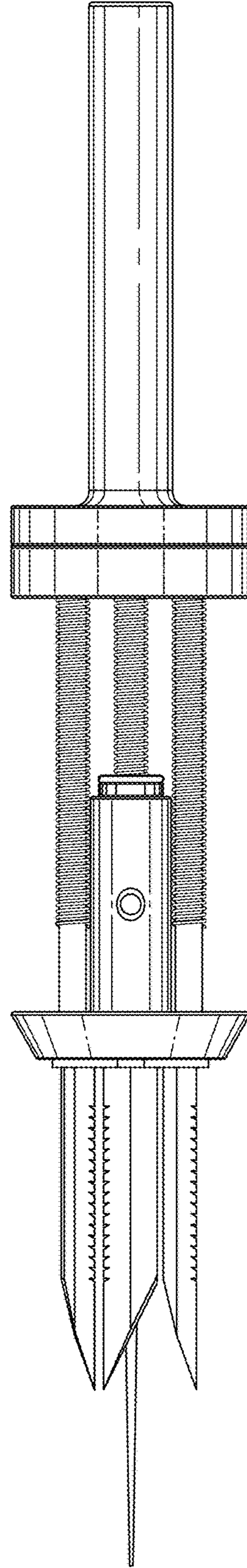


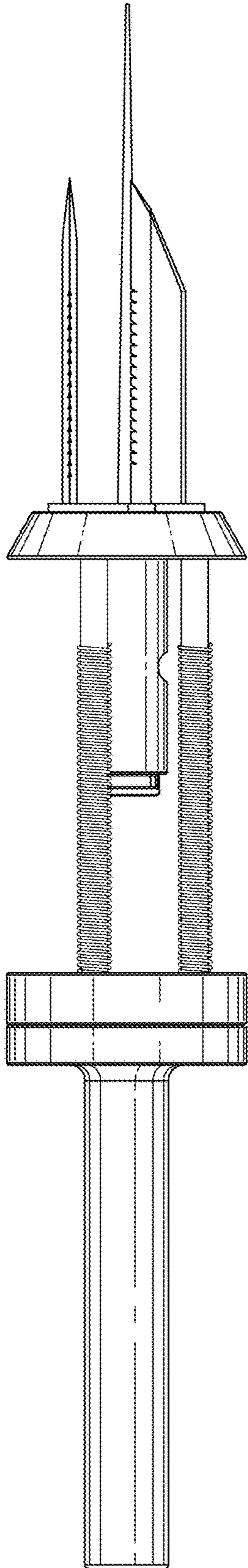
FIG. 1



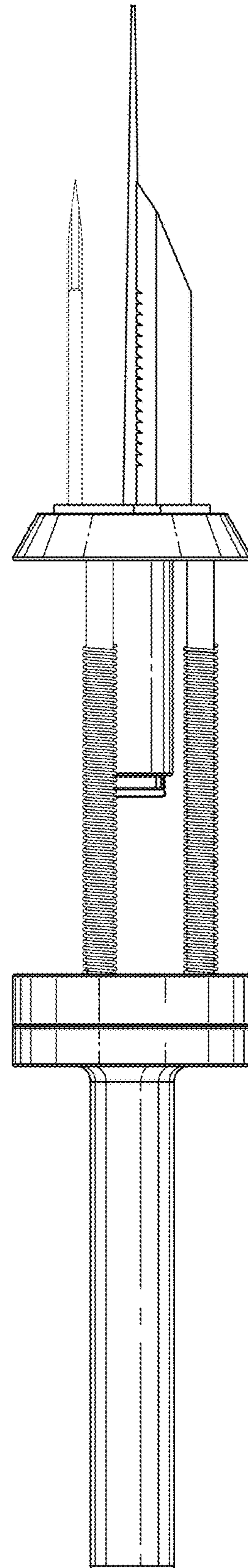
**FIG. 2**



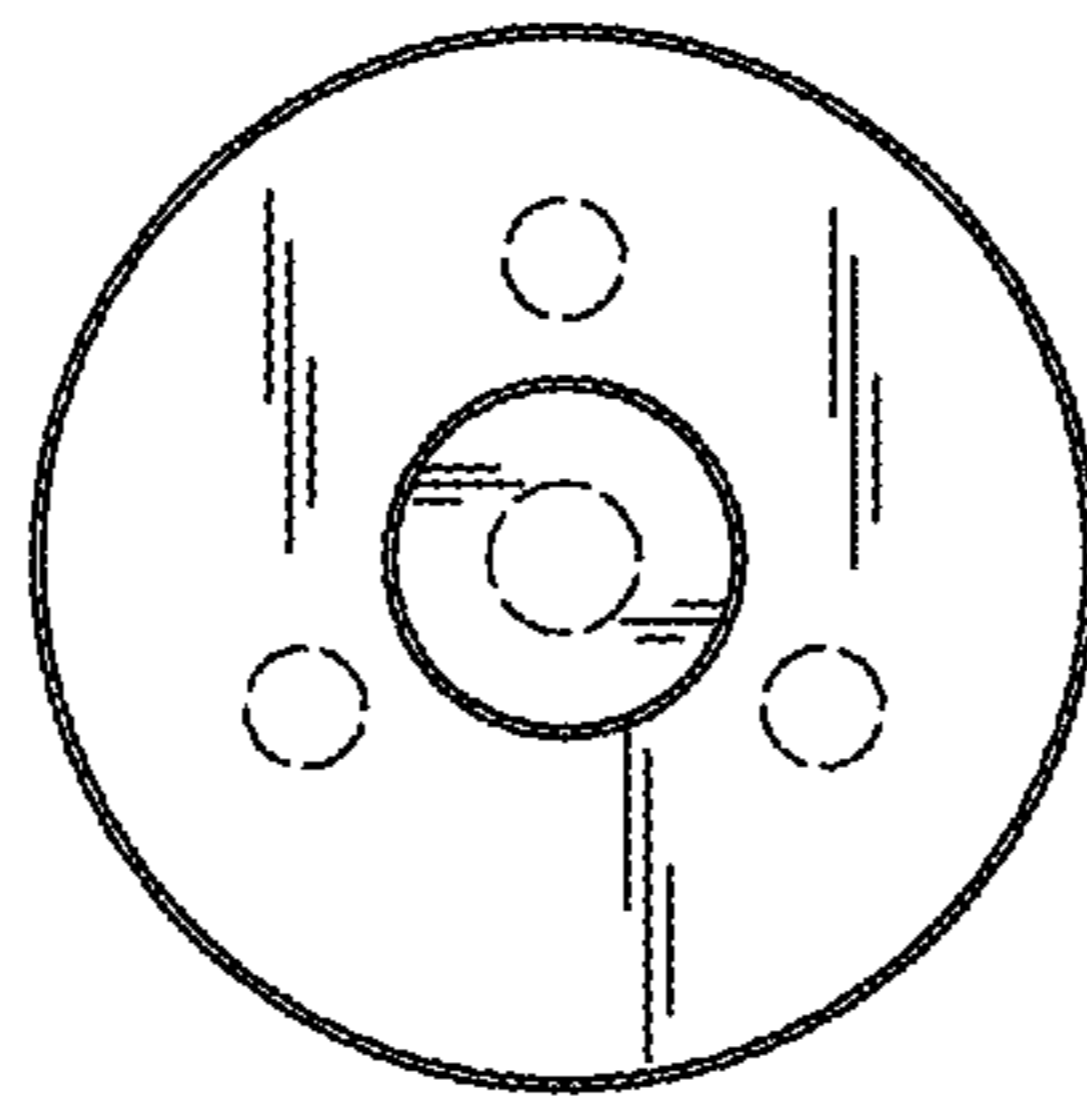
**FIG. 3**



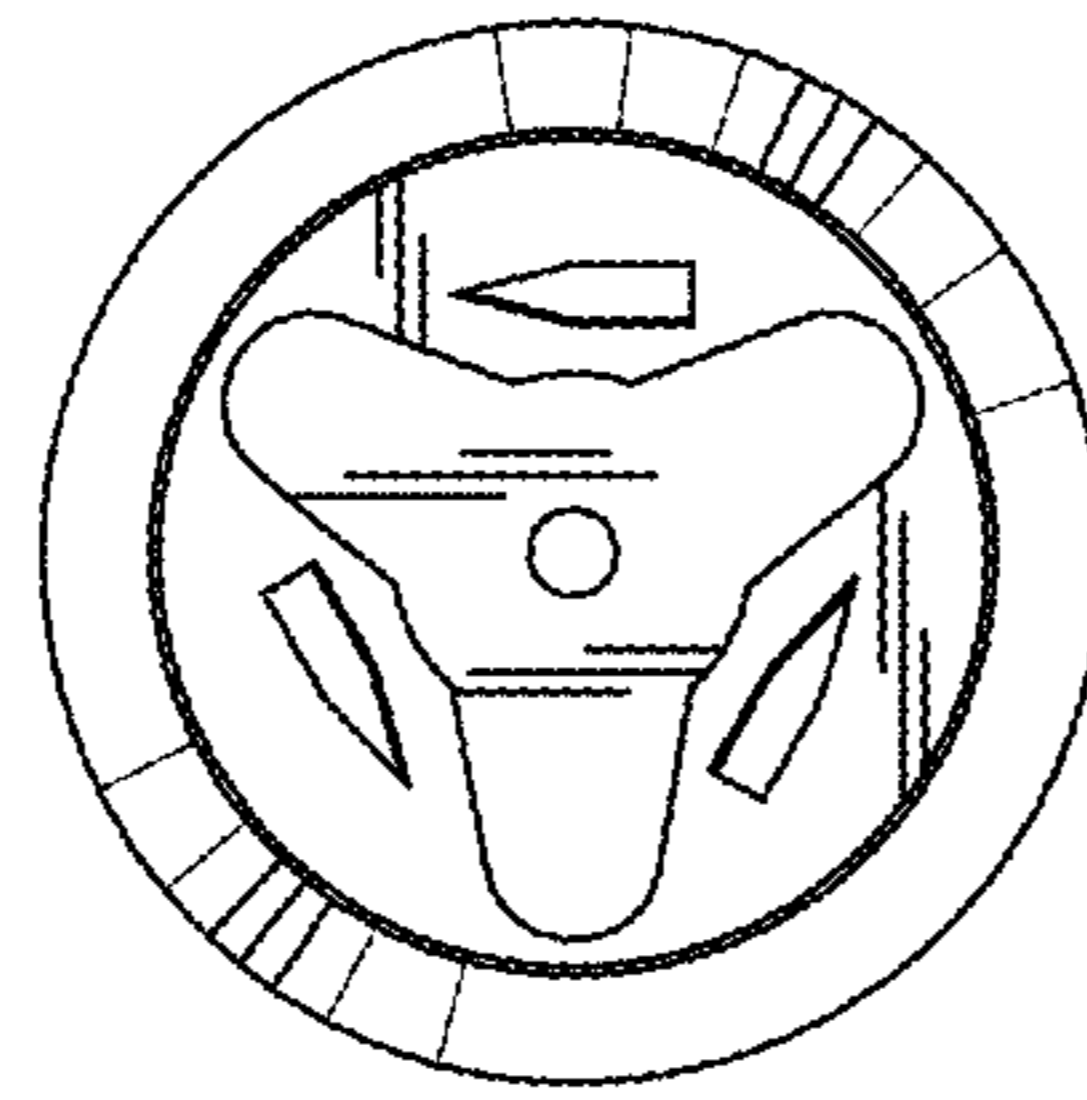
**FIG. 4**



**FIG. 5**



**FIG. 7**



**FIG. 6**