



US00D785418S

(12) **United States Design Patent** (10) **Patent No.:** **US D785,418 S**  
**Carpenter** (45) **Date of Patent:** **\*\* May 2, 2017**

(54) **WINE RACK**

FOREIGN PATENT DOCUMENTS

(71) Applicant: **William B. Carpenter**, Vancouver (CA)

CA 2677021 A1 2/2010  
CA 2743948 A1 5/2010

(Continued)

(72) Inventor: **William B. Carpenter**, Vancouver (CA)

OTHER PUBLICATIONS

(\*\*) Term: **15 Years**

Norskor Olsen APS web page <http://noerskovolsen.dk/billeder.htm>, accessed on May 14, 2015, wine rack design published in 2004, 2 pages.

(21) Appl. No.: **29/536,948**

Genuwine Cellars, proprietary material dated 2009, 2010 and 2012, 7 pages.

(22) Filed: **Aug. 20, 2015**

ESIGO catalog, [http://pdf.archiexpo.com/pdf/esigo-srl/esigo-collection-2011/63264-66039-\\_6.html](http://pdf.archiexpo.com/pdf/esigo-srl/esigo-collection-2011/63264-66039-_6.html), 2011, 10 pages.

**Related U.S. Application Data**

(Continued)

(60) Division of application No. 29/447,652, filed on Mar. 5, 2013, now Pat. No. Des. 739,189, which is a continuation-in-part of application No. 29/444,989, filed on Feb. 6, 2013, now Pat. No. Des. 735,540.

*Primary Examiner* — Wan Laymon

*Assistant Examiner* — Mark Booker

(51) **LOC (10) Cl.** ..... **07-06**

(74) *Attorney, Agent, or Firm* — Kolisch Hartwell, P.C.

(52) **U.S. Cl.**

(57) **CLAIM**

USPC ..... **D7/701**

The ornamental design for a wine rack, as shown and described.

(58) **Field of Classification Search**

**DESCRIPTION**

USPC .... D7/701, 702-708, 619.1-625; 248/213.2, 248/220.41, 311.2, 312.1; 211/189, 193, 211/168, 171, 170, 94.01, 85.31, 74-75, 211/85.5, 71.01, 125

FIG. 1 is a perspective view of a wine rack according to my new design;

FIG. 2 is a front elevational view thereof;

FIG. 3 is a right side elevational view thereof; and,

FIG. 4 is a top plan view thereof.

CPC ..... A47B 73/00; A47B 45/00; A47B 73/002; A47F 5/0846; A47F 5/08; A47F 7/00; A47F 5/0838; A47F 7/28

See application file for complete search history.

The right side elevational view of the design is a mirror image of the left side elevational view, so the right side view has been omitted.

The bottom plan view of the design is a mirror image of the top plan view, so the bottom plan view has been omitted.

Portions of the drawings depicted in broken lines are intended to illustrate the environment of the design for illustrative purposes only, and form no part of the claimed design.

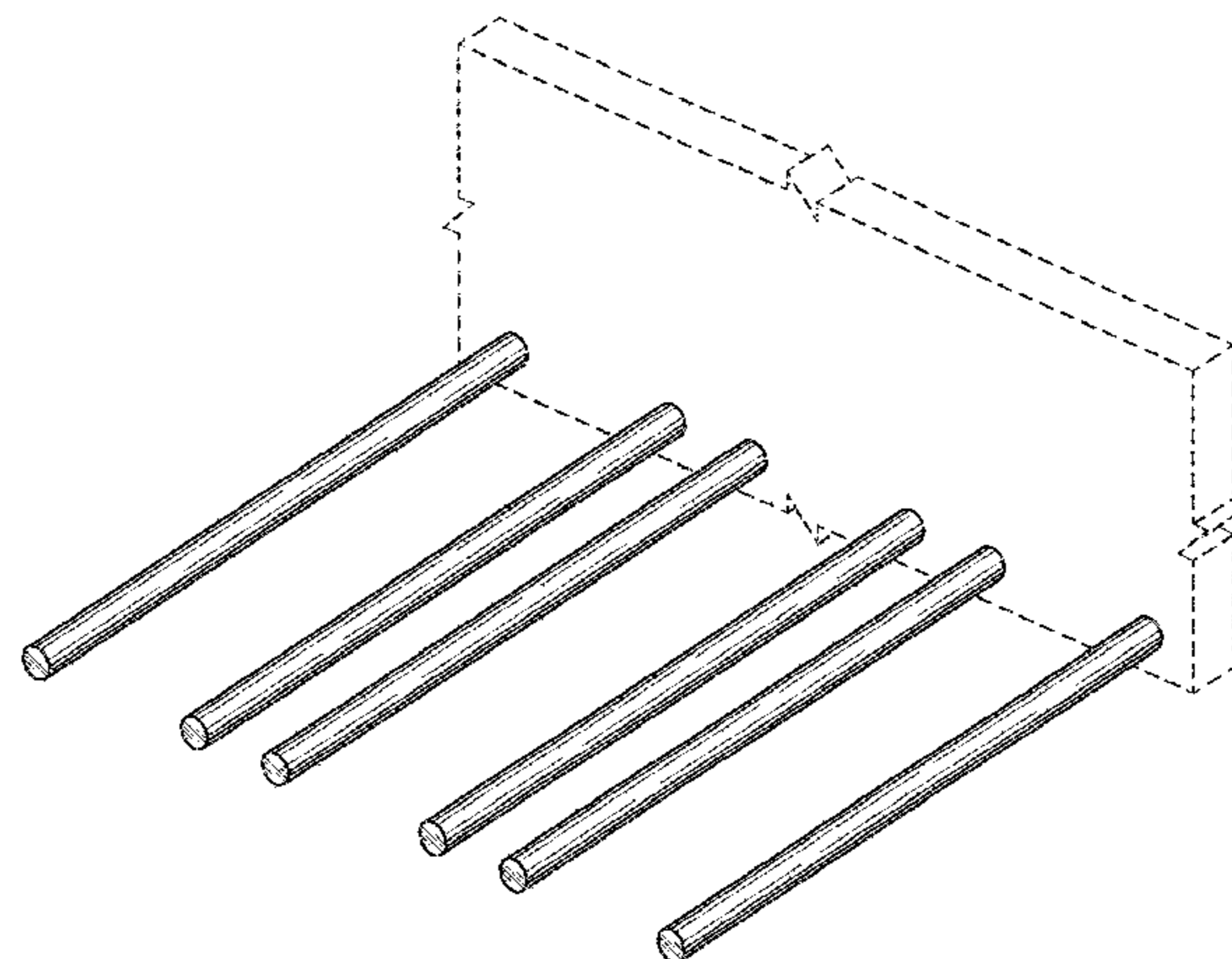
(56) **References Cited**

U.S. PATENT DOCUMENTS

2,051,408 A 8/1936 Karst  
2,527,796 A 10/1950 Clute  
D232,284 S 8/1974 Shuck  
D236,565 S \* 9/1975 Fuller ..... D6/682.6  
D260,463 S 9/1981 Imus  
4,482,065 A 11/1984 Altemose  
D284,720 S 7/1986 Watson  
D295,128 S 4/1988 Gentile

(Continued)

**1 Claim, 3 Drawing Sheets**



(56)

References Cited

OTHER PUBLICATIONS

U.S. PATENT DOCUMENTS

4,944,415 A 7/1990 Orbach  
 5,025,936 A 6/1991 Lamoureaux  
 5,499,724 A 3/1996 Hickman  
 5,503,276 A 4/1996 Pierce  
 5,813,550 A \* 9/1998 Sheehan ..... A47F 5/0807  
 211/87.01  
 D460,295 S 7/2002 Fissell et al.  
 D460,902 S \* 7/2002 Battle ..... D7/708  
 6,631,813 B1 \* 10/2003 Walter ..... A47F 5/0846  
 211/123  
 6,763,956 B2 7/2004 Woods  
 D497,526 S 10/2004 Sanders et al.  
 6,991,117 B2 1/2006 McCain  
 7,284,734 B2 \* 10/2007 Hamerski ..... A47G 1/20  
 248/205.3  
 7,377,397 B2 5/2008 Lee et al.  
 7,673,761 B2 3/2010 Lee et al.  
 7,850,017 B2 12/2010 McCain  
 7,882,967 B2 2/2011 Hynes  
 D634,992 S 3/2011 McNamee  
 D655,986 S 3/2012 Schneider  
 8,231,015 B2 7/2012 McCain  
 8,573,548 B2 11/2013 Kuhn et al.  
 D708,494 S \* 7/2014 Carpenter ..... D7/701  
 D731,866 S \* 6/2015 Paulick ..... D7/702  
 D735,540 S \* 8/2015 Carpenter ..... D7/704  
 D739,189 S \* 9/2015 Carpenter ..... D7/701  
 D739,190 S \* 9/2015 Kasza ..... D7/701  
 2001/0013567 A1 8/2001 Valiulis  
 2004/0069730 A1 4/2004 Woods  
 2007/0158284 A1 7/2007 Felder  
 2011/0132853 A1 \* 6/2011 Drobot ..... A47B 57/562  
 211/42  
 2011/0309220 A1 12/2011 Collini  
 2012/0085721 A1 4/2012 Michael et al.  
 2013/0334155 A1 12/2013 Kasza et al.  
 2016/0029790 A1 \* 2/2016 Carpenter ..... A47F 5/0815  
 211/75

FOREIGN PATENT DOCUMENTS

GB 1202519 A 8/1970  
 GB 2189387 A 10/1987  
 GB 2242352 A 2/1991

Vin De Garde Cellar Systems, Modern Wine Cellars Catalog 2011, 2011, 12 pages.  
 Photo of a wine cellar which appeared at web page <http://www.houzz.com/photos/36895/Modern-Wine-Cellar-contemporary-wine-cellar-other-metro> at least as early as Mar. 2011.  
 Email from Mr. Carpenter to Mr. Kasza dated May 26, 2011 discussing ESIGO 4 wine rack design, 1 page.  
 Photo of a wine cellar which appeared at web page <http://www.houzz.com/photos/502220/Modern-Wine-Cellar-modern-wine-cellar-toronto> at least as early as Jan. 2012.  
 William B. Carpenter, photo of wine cellar dated Jan. 28, 2012.  
 Genuwine Cellars, Label Link (retrieved from <http://www.genuwinecellars.com/metal-series/label-link>) on Jan. 25, 2013), 6 pages.  
 Genuwine Cellars, PEG System (retrieved from <http://www.genuwinecellars.com/metal-series/peg-system/> on Jan. 25, 2013), 6 pages.  
 Genuwine Cellars, Metal Series (retrieved from <http://www.genuwinecellars.com/metal-series/> on Feb. 21, 2013), 6 pages.  
 Houzz Inc., Bachus Bottle Rack—modern—wine racks—by Made in Design, 2013 (retrieved from <http://www.houzz.com/photos/151858/Bachus-Bottle-Rack-modern-wine-racks-> on Jul. 18, 2013), 2 pages.  
 Houzz Inc., Live-Edge Solid Walnut 6-Bottle Wine Rack—eclectic—wine racks—by Etsy, 2013 (retrieved from <http://www.houzz.com/photos/2739502/Live-Edge-Solid-Walnut-6-Bottle-Wine-Rack-eclectic-wine-racks-> on Jul. 18, 2013), 11 pages.  
 Houzz Inc., Wood & Metal Industrial Wine Rack—contemporary—wine racks—by World Market, 2013 (retrieved from <http://www.houzz.com/photos/1548374/Wood---Metal-Industrial-Wine-Rack-contemporary-wine-racks-> on Jul. 18, 2013), 2 pages.  
 Stact Wine Displays Inc., Stact revolutionary wine rack, 2013 (retrieved from <http://www.getstact.com/collections/wine-rack-revolutionized> on Jul. 18, 2013) 3 pages.  
 Heather Cardamore, Authorized Office, Canadian Intellectual Property Office, “International Search Report” in connection with related PCT Patent App. No. PCT/CA2013/000259, dated Dec. 23, 2013, 2 pages.  
 Federal Court of Canada, “Statement of Claim” in connection with Stact Wine Displays Inc. v. William B. Carpenter, May 14, 2015, 11 pages.

\* cited by examiner

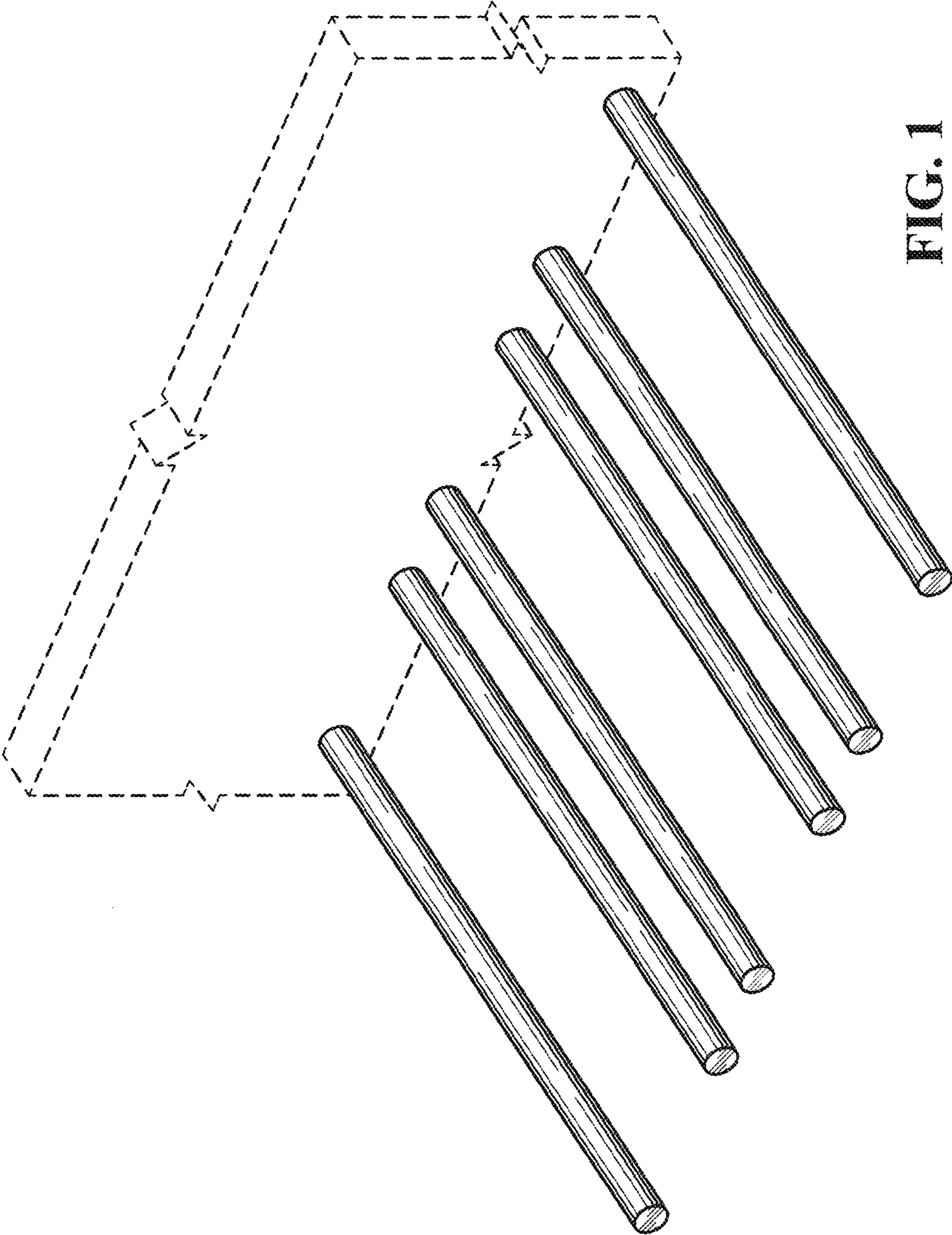


FIG. 1

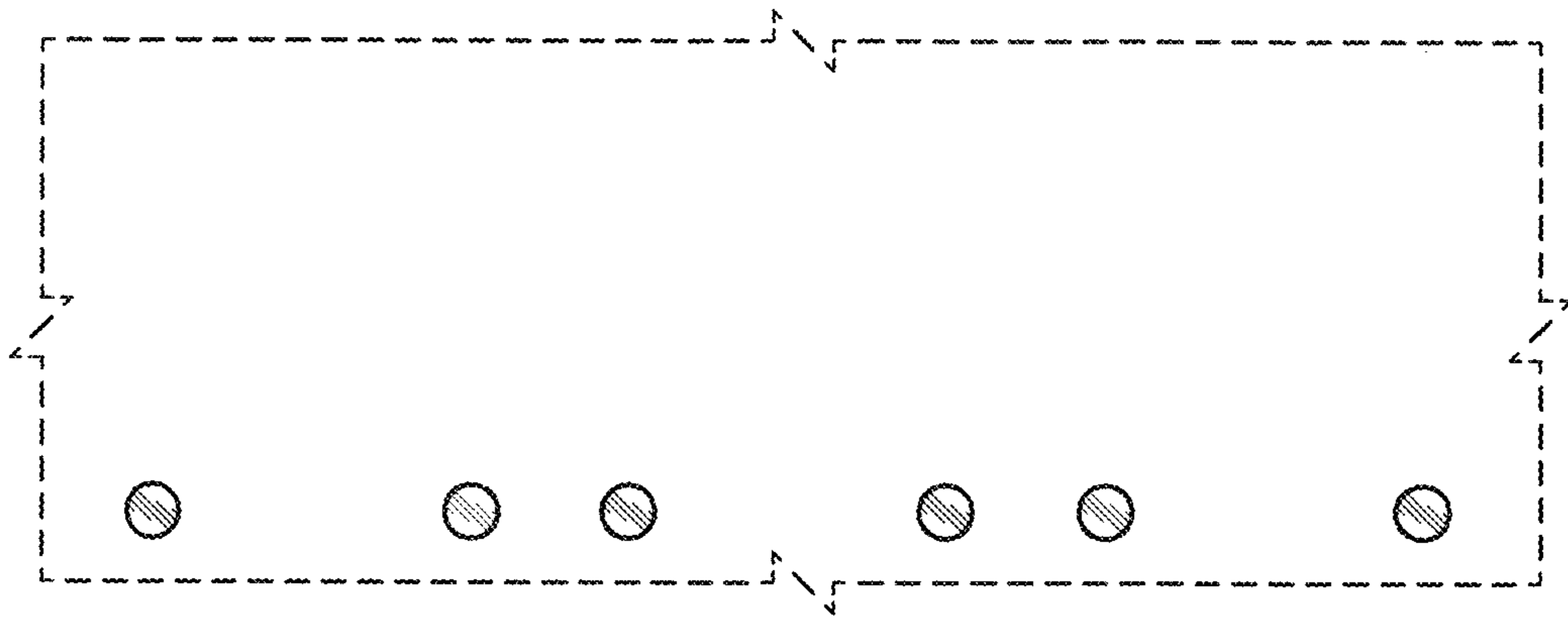


FIG. 2

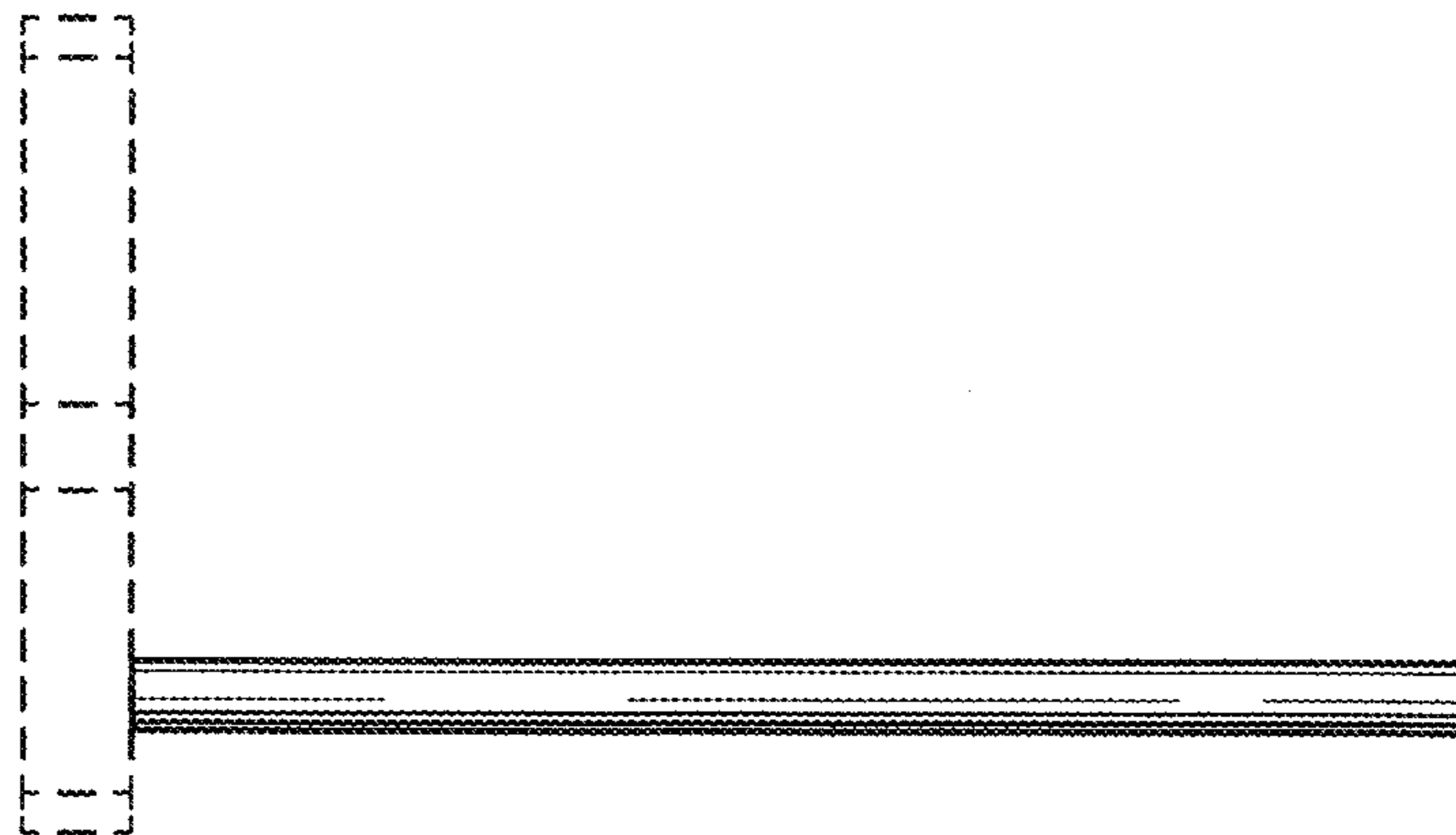


FIG. 3

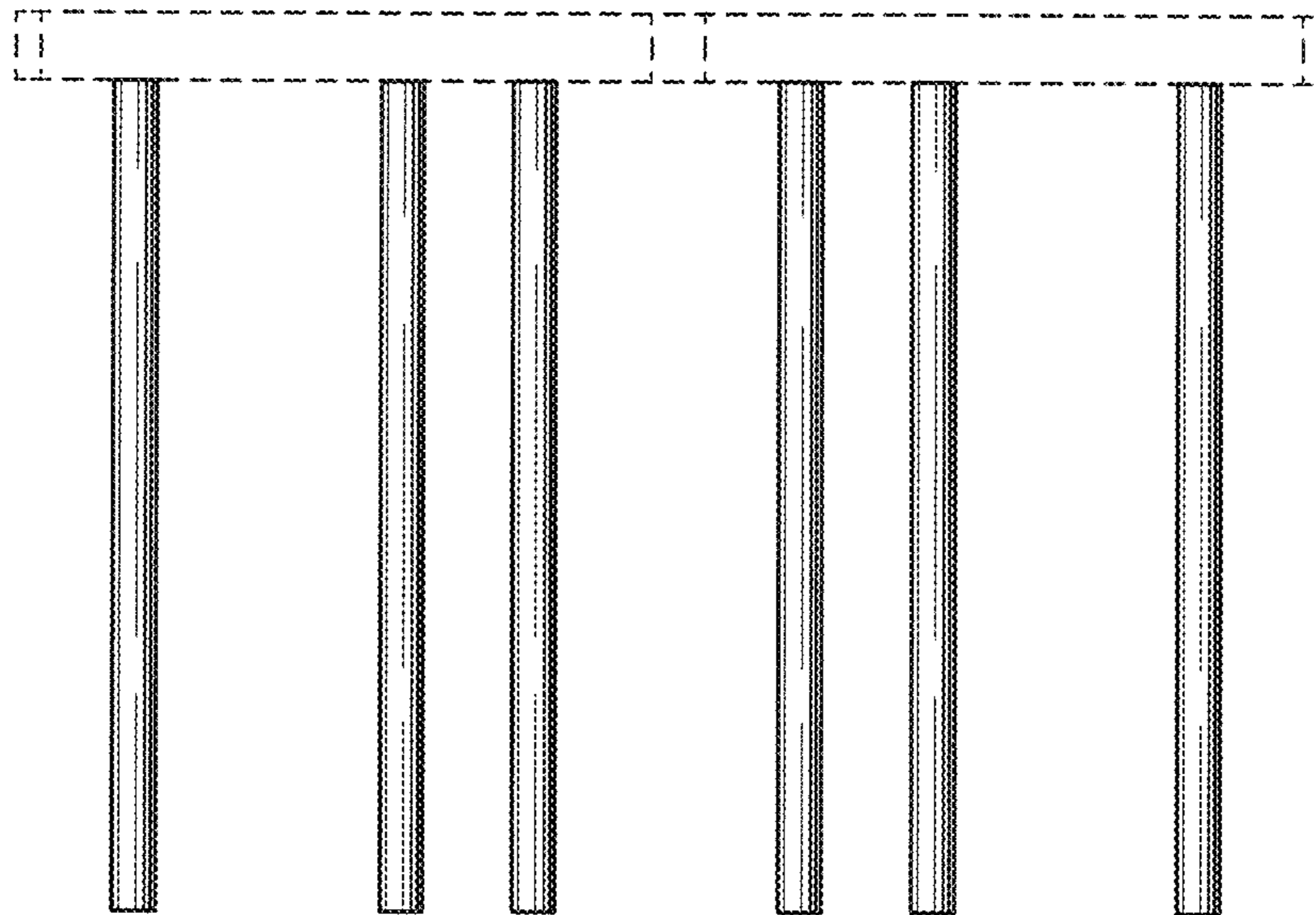


FIG. 4