



US00D785417S

(12) **United States Design Patent** (10) **Patent No.:** **US D785,417 S**
Bagley (45) **Date of Patent:** **** May 2, 2017**

(54) **HANDHELD SPIRALIZER** D481,595 S * 11/2003 So D7/693
7,032,491 B2 4/2006 Fischer
D718,581 S * 12/2014 Exley D7/695
(71) Applicant: **Progressive International Corporation**, Kent, WA (US) 2008/0307980 A1* 12/2008 Lee B26D 3/11
99/537
(72) Inventor: **Justin Bagley**, Seattle, WA (US) 2013/0126650 A1* 5/2013 Hotaling A47J 43/0716
241/275
(73) Assignee: **PROGRESSIVE INTERNATIONAL CORPORATION**, Kent, WA (US) 2015/0075011 A1* 3/2015 Harris A47J 17/02
30/279.6
2016/0227954 A1* 8/2016 Chang A47J 17/02

(**) Term: **15 Years**

FOREIGN PATENT DOCUMENTS

(21) Appl. No.: **29/552,926**

CN 202723661 U 2/2013

(22) Filed: **Jan. 27, 2016**

OTHER PUBLICATIONS

(51) **LOC (10) Cl.** **07-06**

Vegetti Spiral Vegetable Slicer, Amazon, Mar. 22, 2014, <http://a.co/2cvdugB>.*

(52) **U.S. Cl.**

USPC **D7/695**

(58) **Field of Classification Search**

USPC D7/672-676, 693, 359, 412, 376-386,
D7/677-679, 372-375, 694-698; 83/932;
99/353

CPC B26D 3/24-3/283; B26D
2003/285-2003/288; B26D 2210/02;
B26D 7/00; B26D 7/01; B26D 3/11;
A47J 43/25; A47J 43/255; A47J 17/16;
A47J 17/02; A23N 7/026

See application file for complete search history.

* cited by examiner

Primary Examiner — Susan Bennett Hattan
Assistant Examiner — Brett Miller
(74) *Attorney, Agent, or Firm* — Lowe Graham Jones
PLLC

(56) **References Cited**

U.S. PATENT DOCUMENTS

D28,608 S * 5/1898 Renner D7/383
2,156,645 A 5/1939 Waller
2,464,993 A 3/1949 Ross
2,489,581 A 11/1949 Mason
2,508,868 A 5/1950 Ross
3,211,202 A 10/1965 Mason
4,628,808 A 12/1986 Simon
5,471,746 A * 12/1995 Agrimis A47J 17/02
30/123.5
5,784,942 A 7/1998 Jones
6,053,098 A 4/2000 Yamamoto

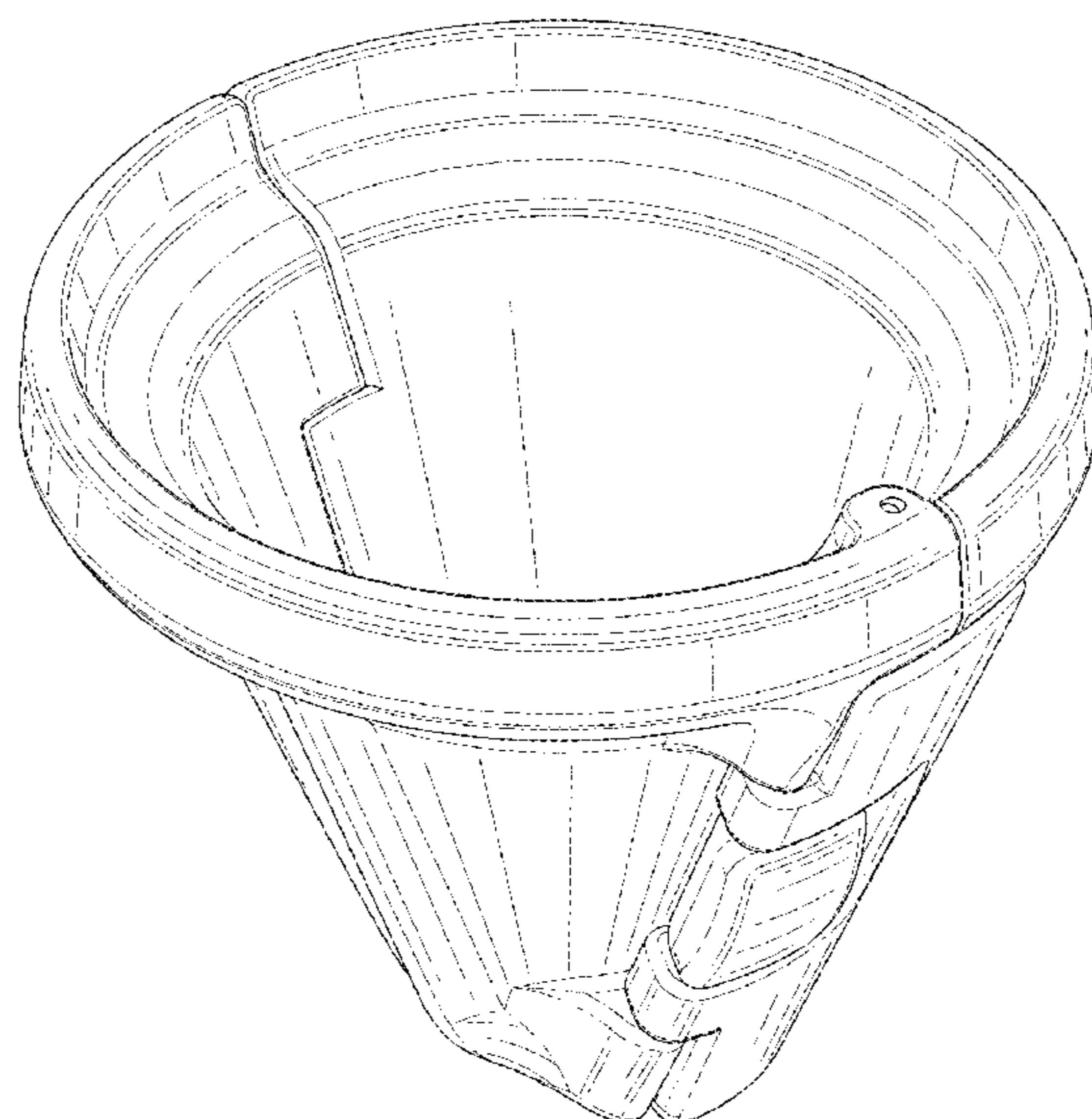
(57) **CLAIM**

I claim the ornamental design for the handheld spiralizer, as shown.

DESCRIPTION

FIG. 1 is a top perspective view of the handheld spiralizer, showing my new design.
FIG. 2 is a front view of the handheld spiralizer.
FIG. 3 is a rear view of the handheld spiralizer.
FIG. 4 is a left side view of the handheld spiralizer.
FIG. 5 is a right side view of the handheld spiralizer.
FIG. 6 is a top view of the handheld spiralizer; and,
FIG. 7 is a bottom view of the handheld spiralizer.

1 Claim, 7 Drawing Sheets



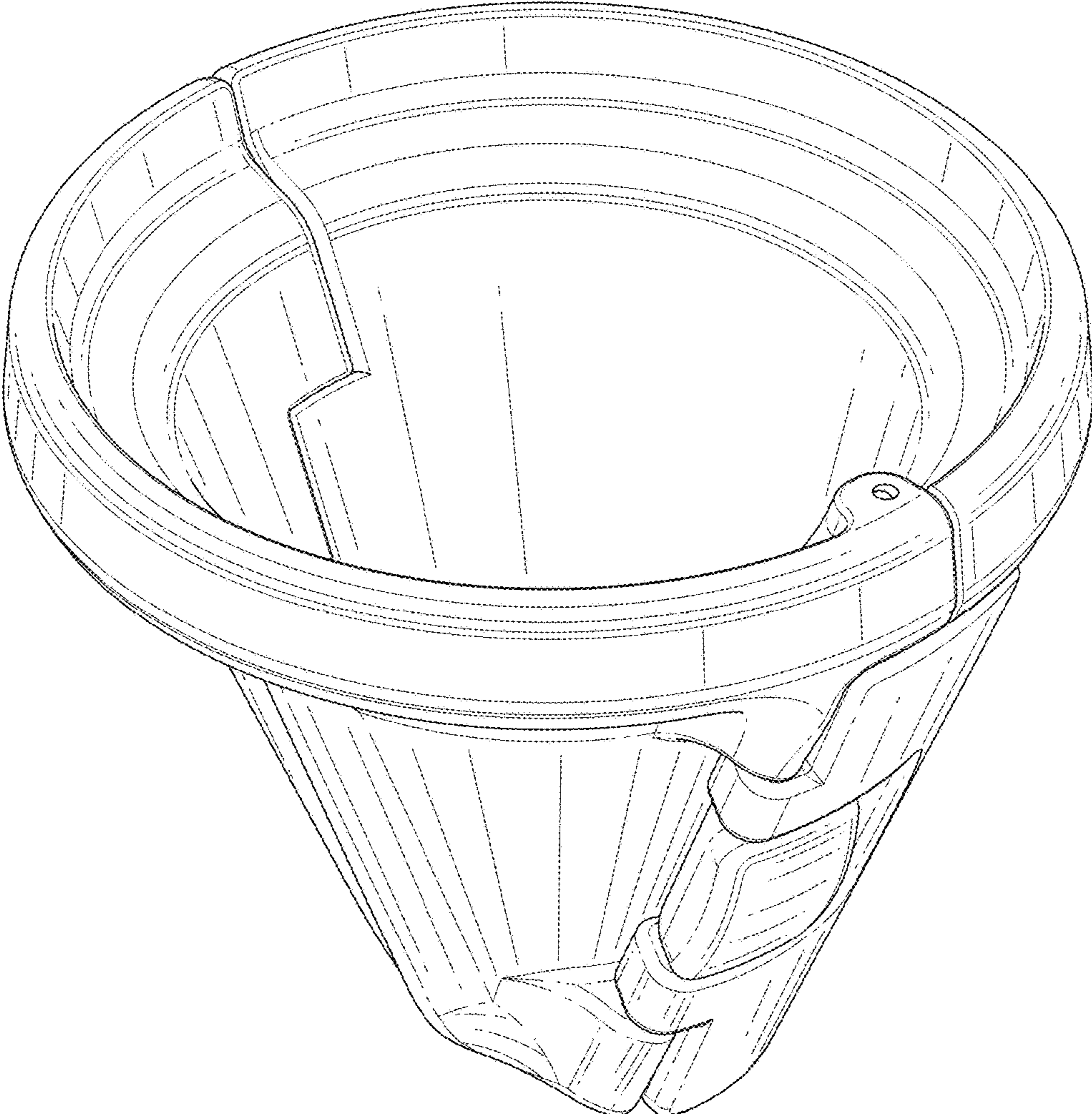


FIG. 1

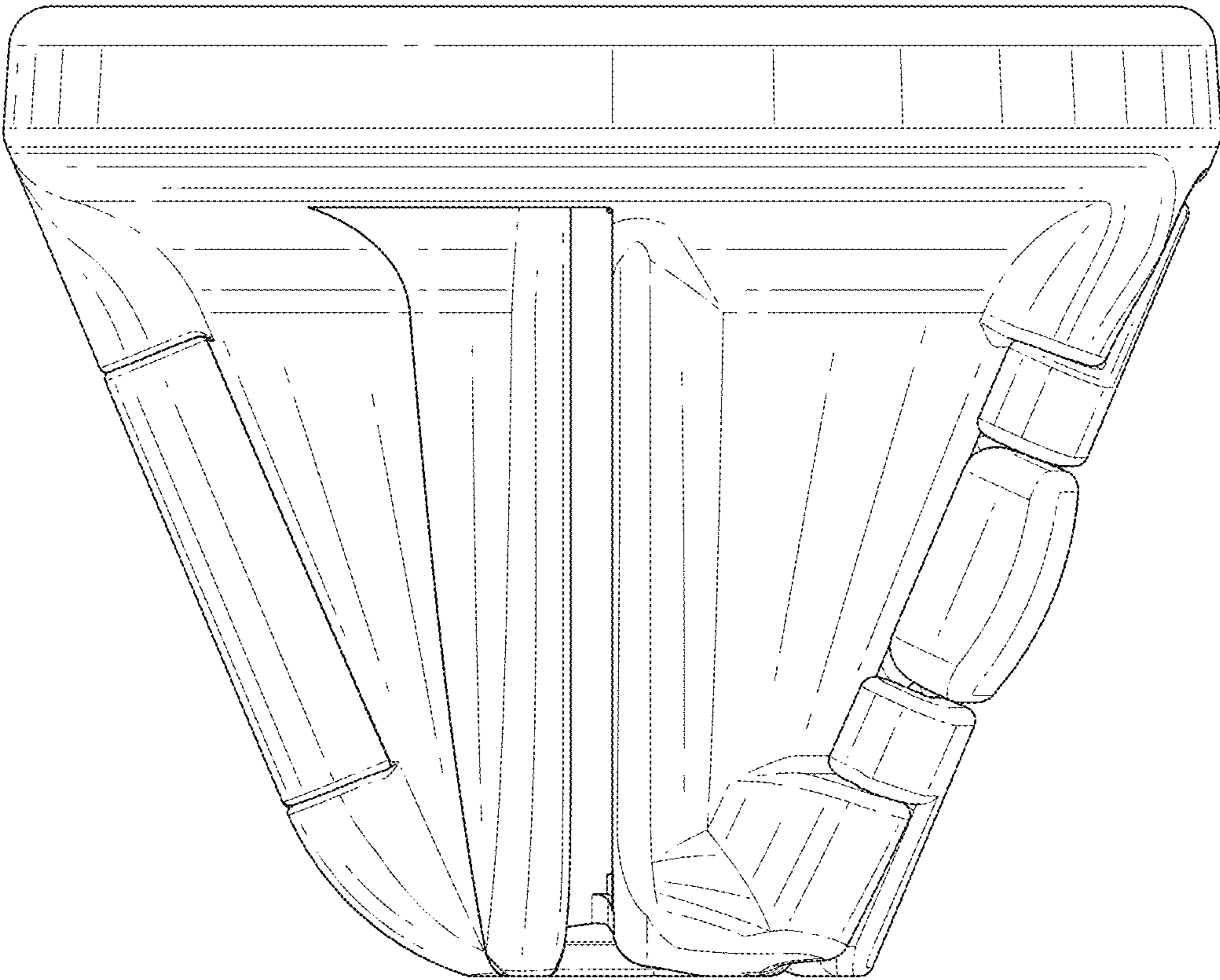


FIG.2

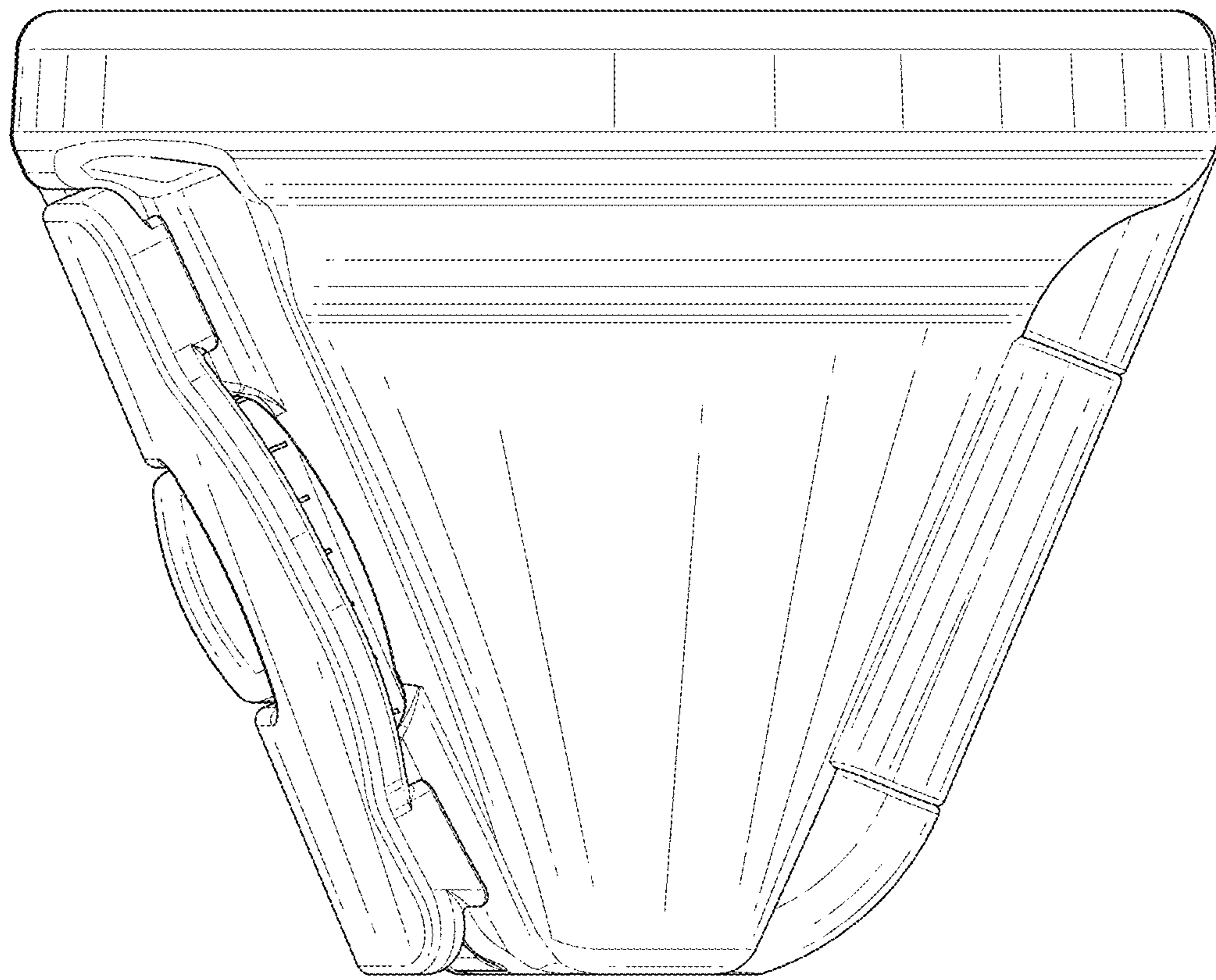


FIG. 3

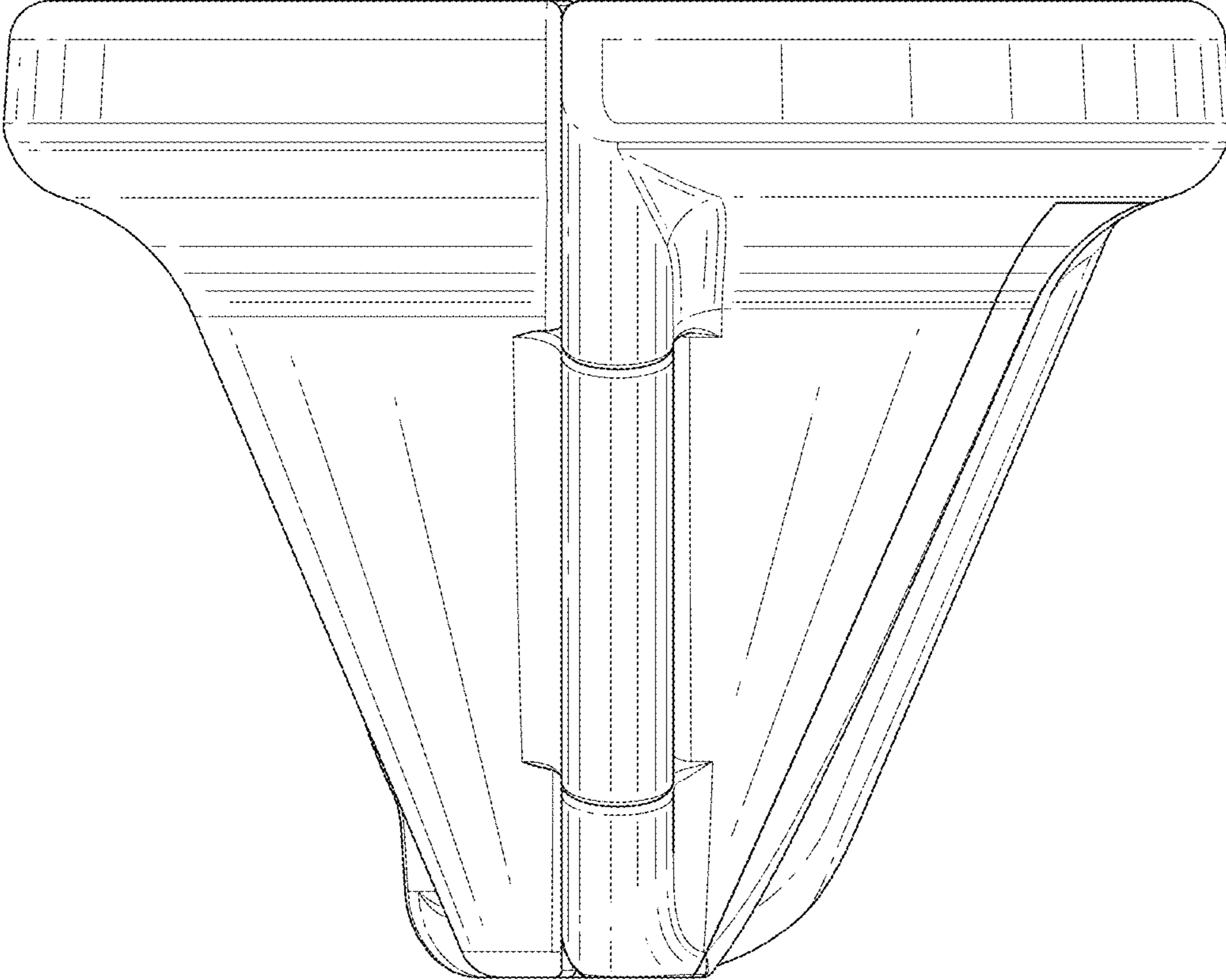


FIG.4

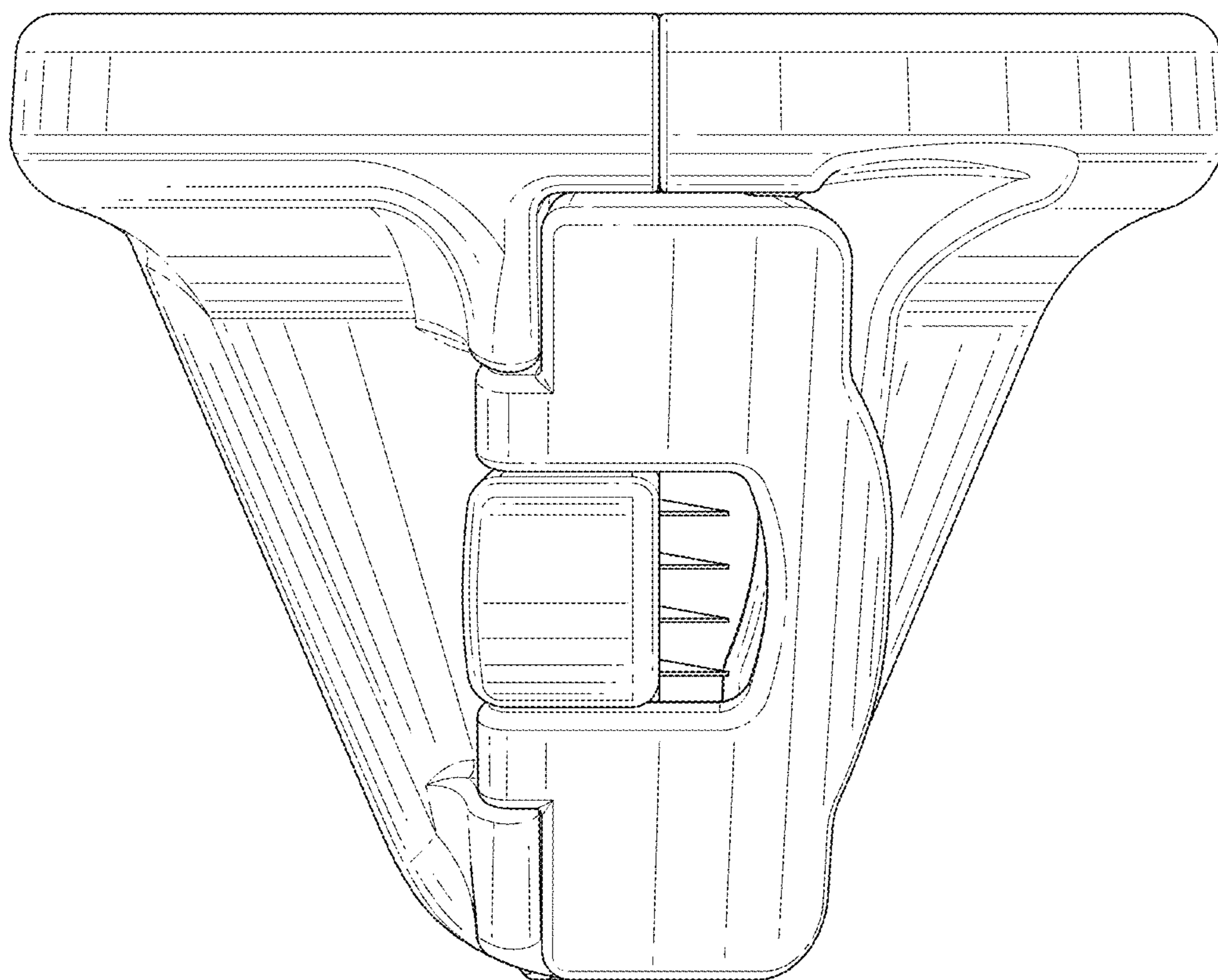


FIG. 5

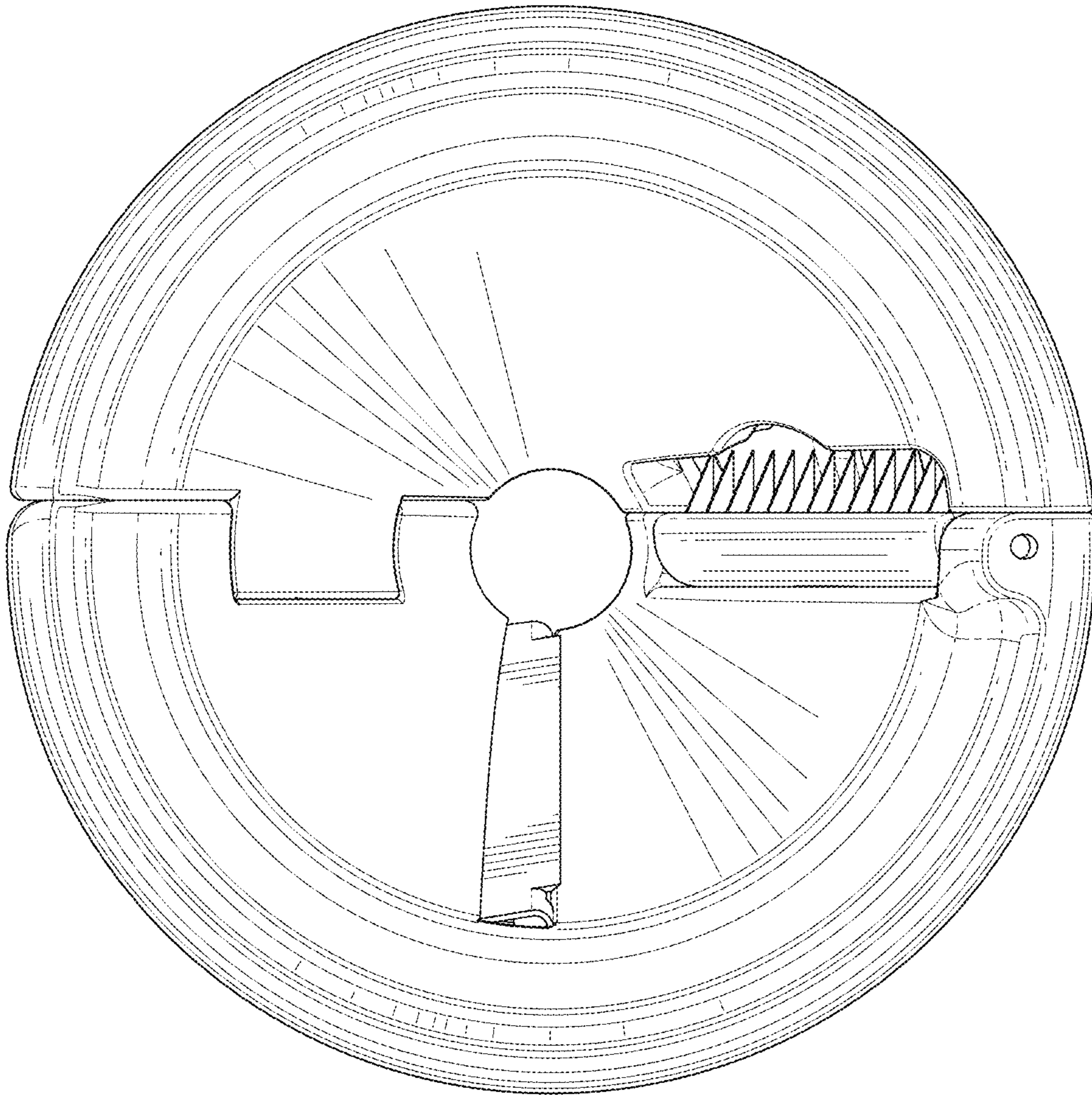


FIG.6

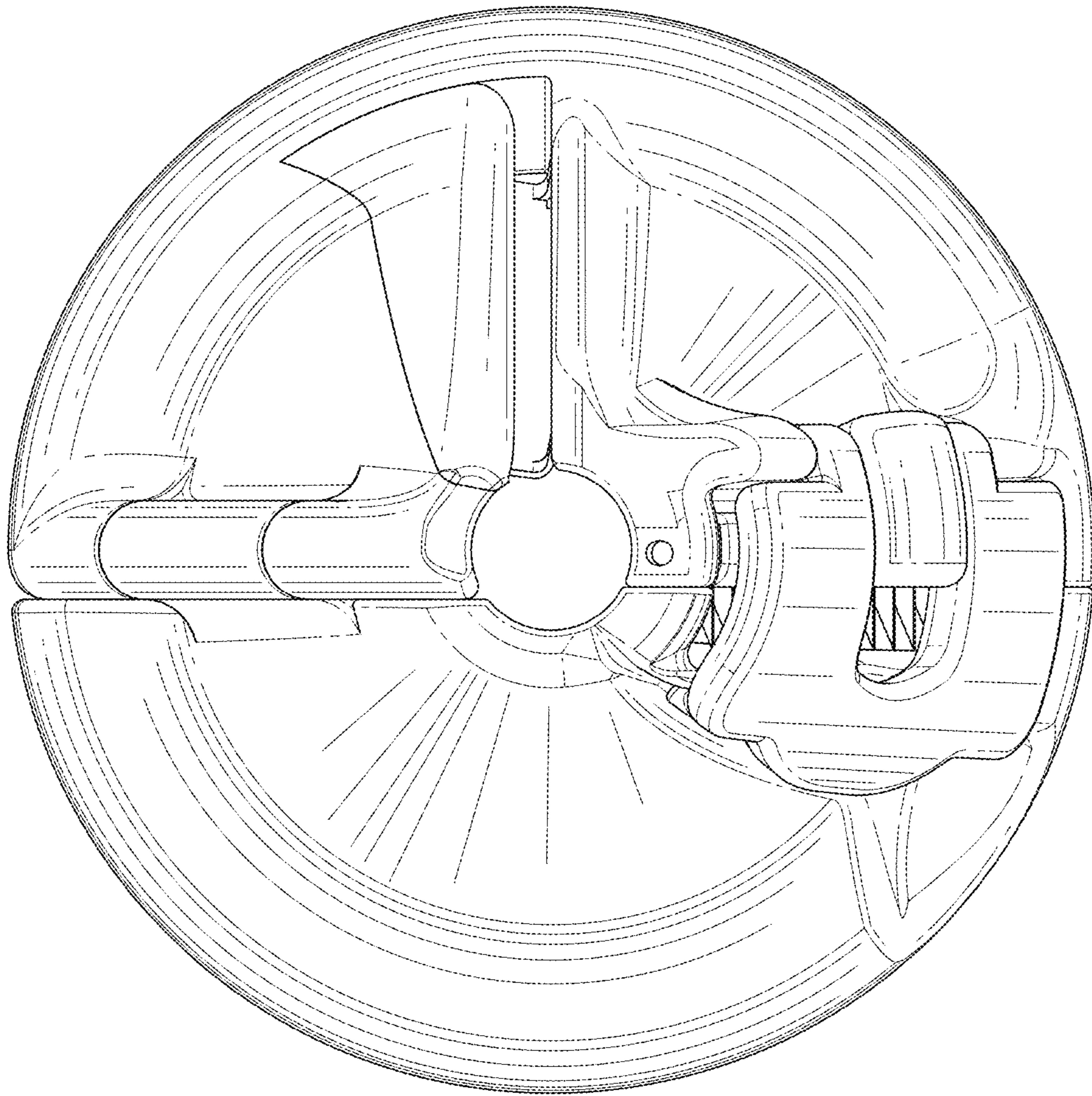


FIG. 7