



US00D785413S

(12) **United States Design Patent** (10) **Patent No.:** **US D785,413 S**
Goodman et al. (45) **Date of Patent:** **** May 2, 2017**

(54) **NAPKIN HOLDER** D231,137 S * 4/1974 Juhlin D19/90
 D316,114 S * 4/1991 Hwang D19/75
 (71) Applicant: **Spectrum Diversified Designs, LLC,** D450,543 S * 11/2001 Hannum D7/631
 Streetsboro, OH (US) 6,393,749 B1 * 5/2002 Haupt A47G 21/16
 40/725
 (72) Inventors: **Sheldon H. Goodman,** Solon, OH D584,572 S * 1/2009 Goodman D7/631
 (US); **Phaysouk Xayoiphonh,** Akron, OH (US) D645,671 S * 9/2011 Goodman D6/362
 D688,903 S * 9/2013 Goodman D6/675.5
 2005/0161464 A1 * 7/2005 Fiola A47G 21/16
 221/33

(73) Assignee: **Spectrum Diversified Designs, LLC,**
 Streetsboro, OH (US)

* cited by examiner

(**) Term: **15 Years**

Primary Examiner — Brandon M Rosati

Assistant Examiner — Janice Lim

(21) Appl. No.: **29/550,823**

(74) *Attorney, Agent, or Firm* — Benesch, Friedlander,
 Coplan & Aronoff LLP

(22) Filed: **Jan. 7, 2016**

(51) **LOC (10) Cl.** **07-06**

(52) **U.S. Cl.**
 USPC **D7/631**

(58) **Field of Classification Search**

USPC D3/306; D6/566-574; D7/631,
 D7/637-641; D19/75, 81-86, 90, 92;
 211/41.4, 70.7, 85.31, 90.03, 106, 126.8,
 211/126.9, 133.2, 133.5; 220/485-488,
 220/491; 248/37.3, 37.6, 153, 175
 CPC .. A47F 7/00; A47F 7/14; A47G 21/00; A47G
 21/16; G09F 1/14

See application file for complete search history.

(56) **References Cited**

U.S. PATENT DOCUMENTS

D167,809 S * 9/1952 Roop D7/631
 D182,443 S * 4/1958 Sherman D19/90

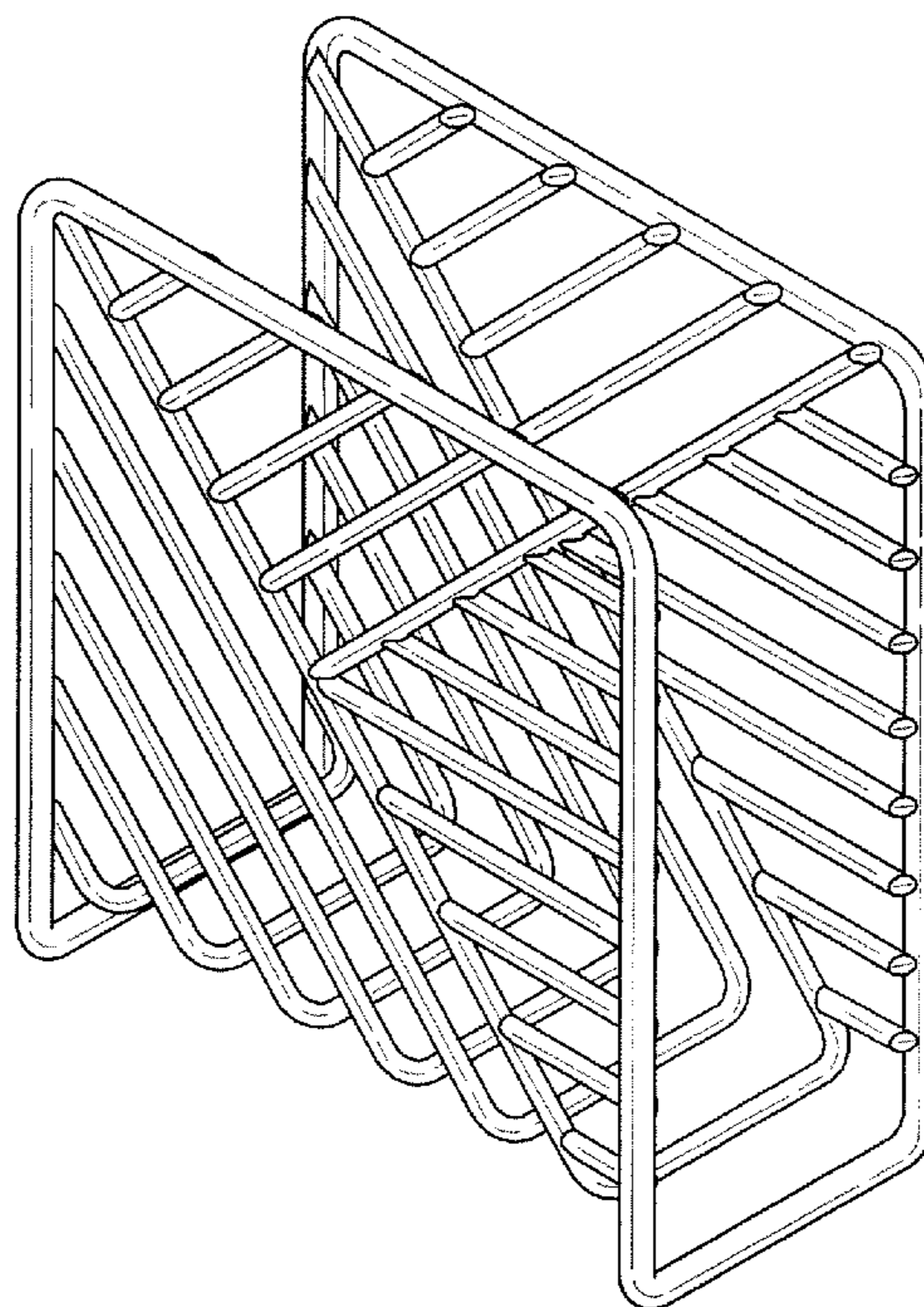
(57) **CLAIM**

The ornamental design for a napkin holder, as shown and described.

DESCRIPTION

FIG. 1 is a perspective view of a napkin holder, showing our new design;
 FIG. 2 is a front view of the napkin holder of FIG. 1;
 FIG. 3 is a side view of the napkin holder of FIG. 1;
 FIG. 4 is a top view of the napkin holder of FIG. 1; and,
 FIG. 5 is a bottom view of the napkin holder of FIG. 1.

1 Claim, 3 Drawing Sheets



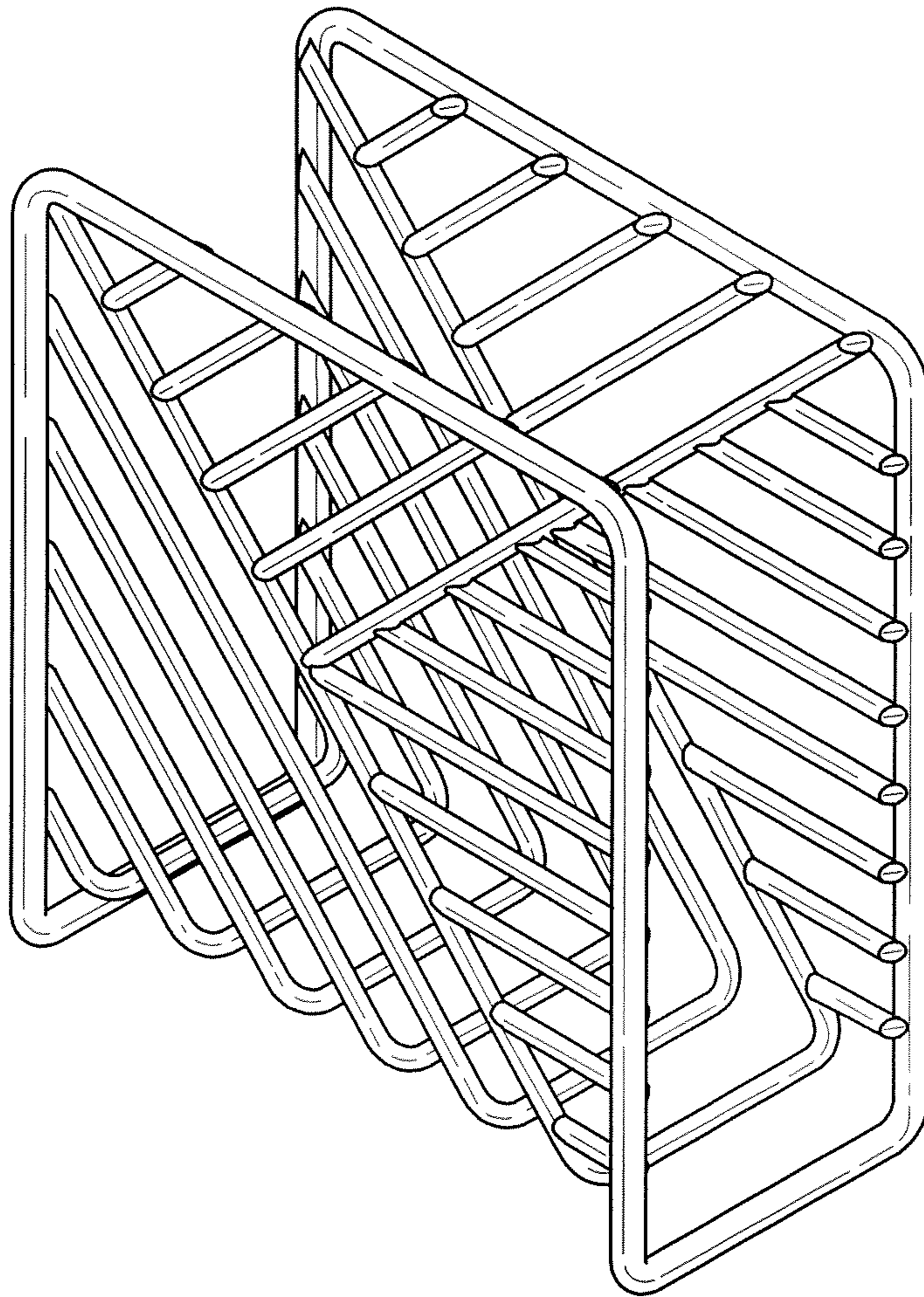


FIG. 1

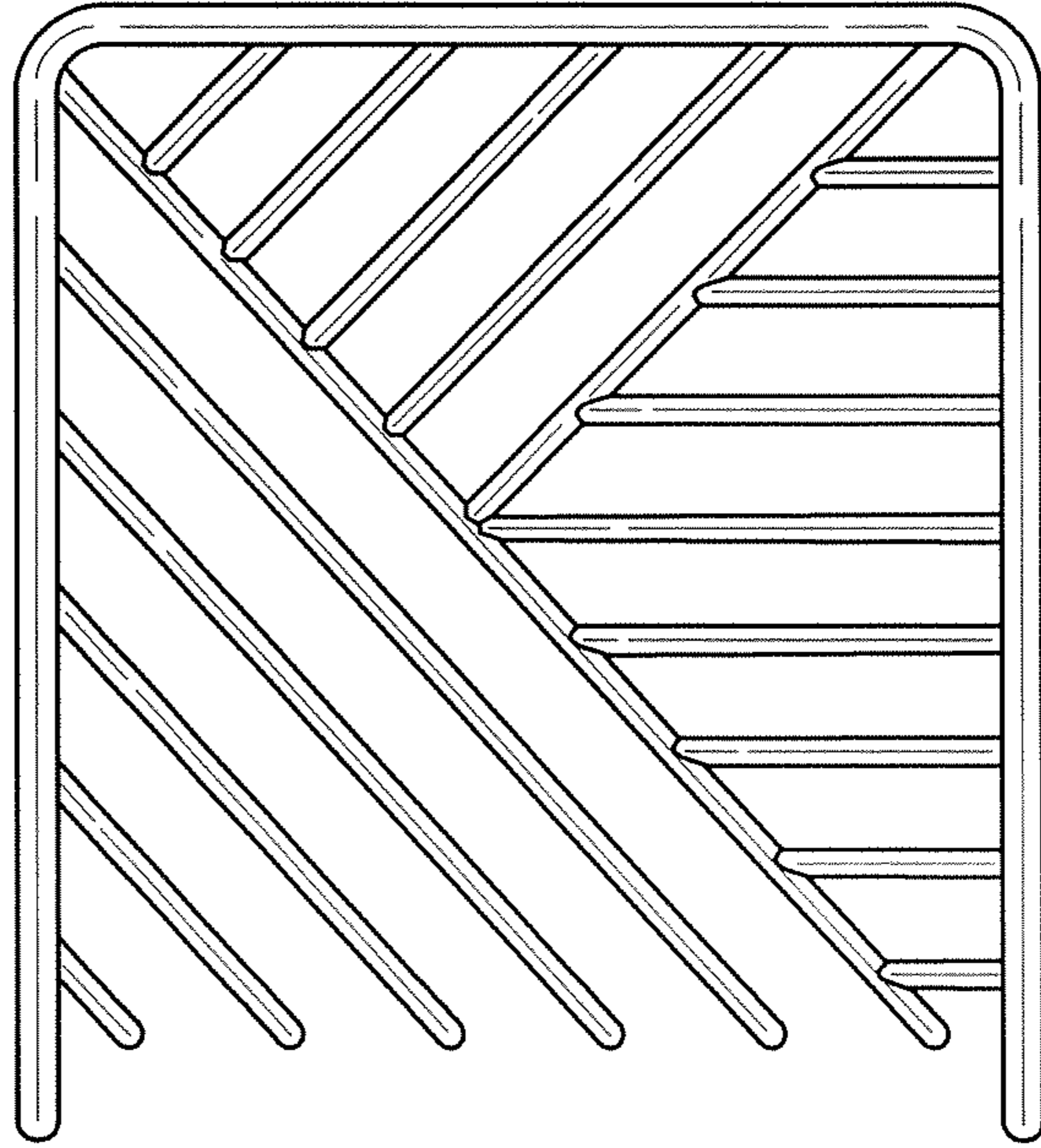


FIG. 2

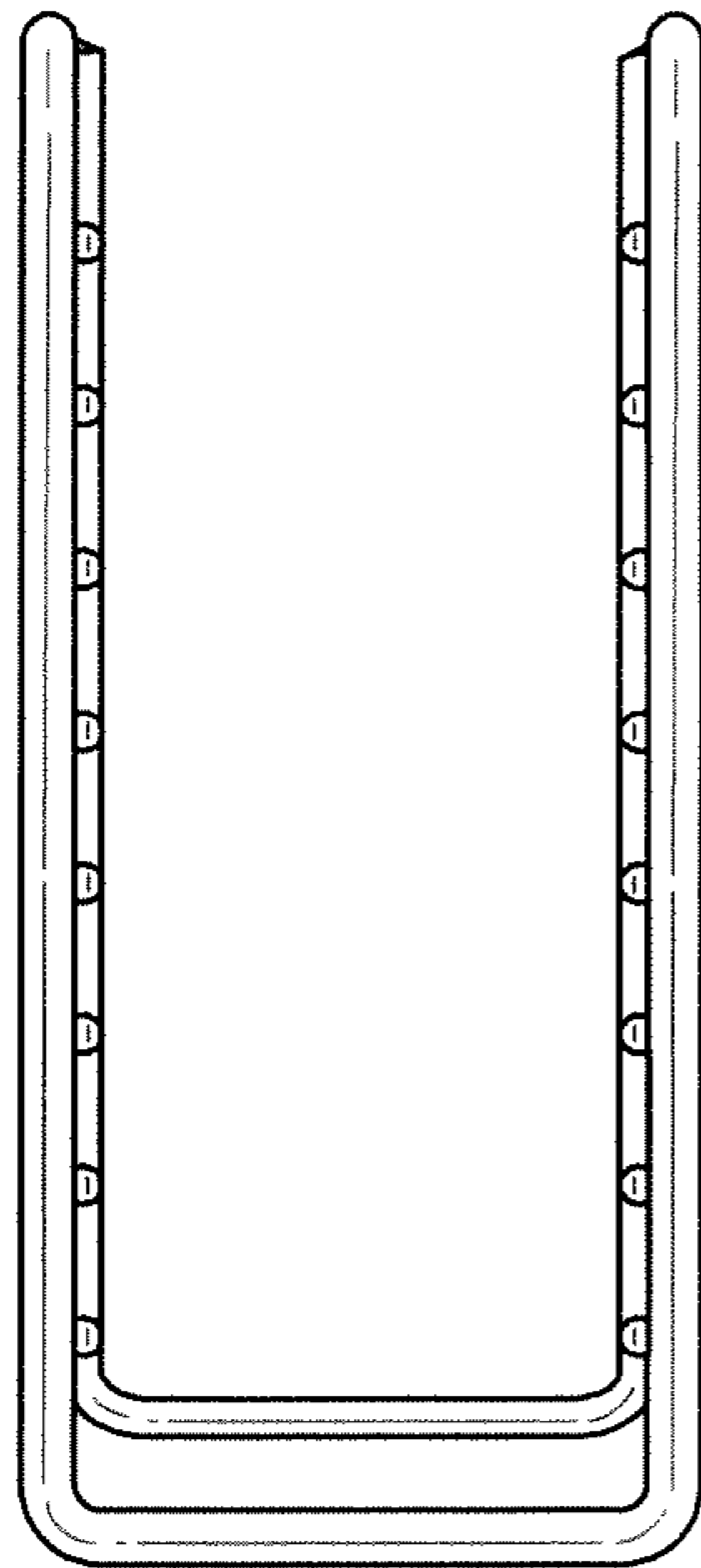


FIG. 3

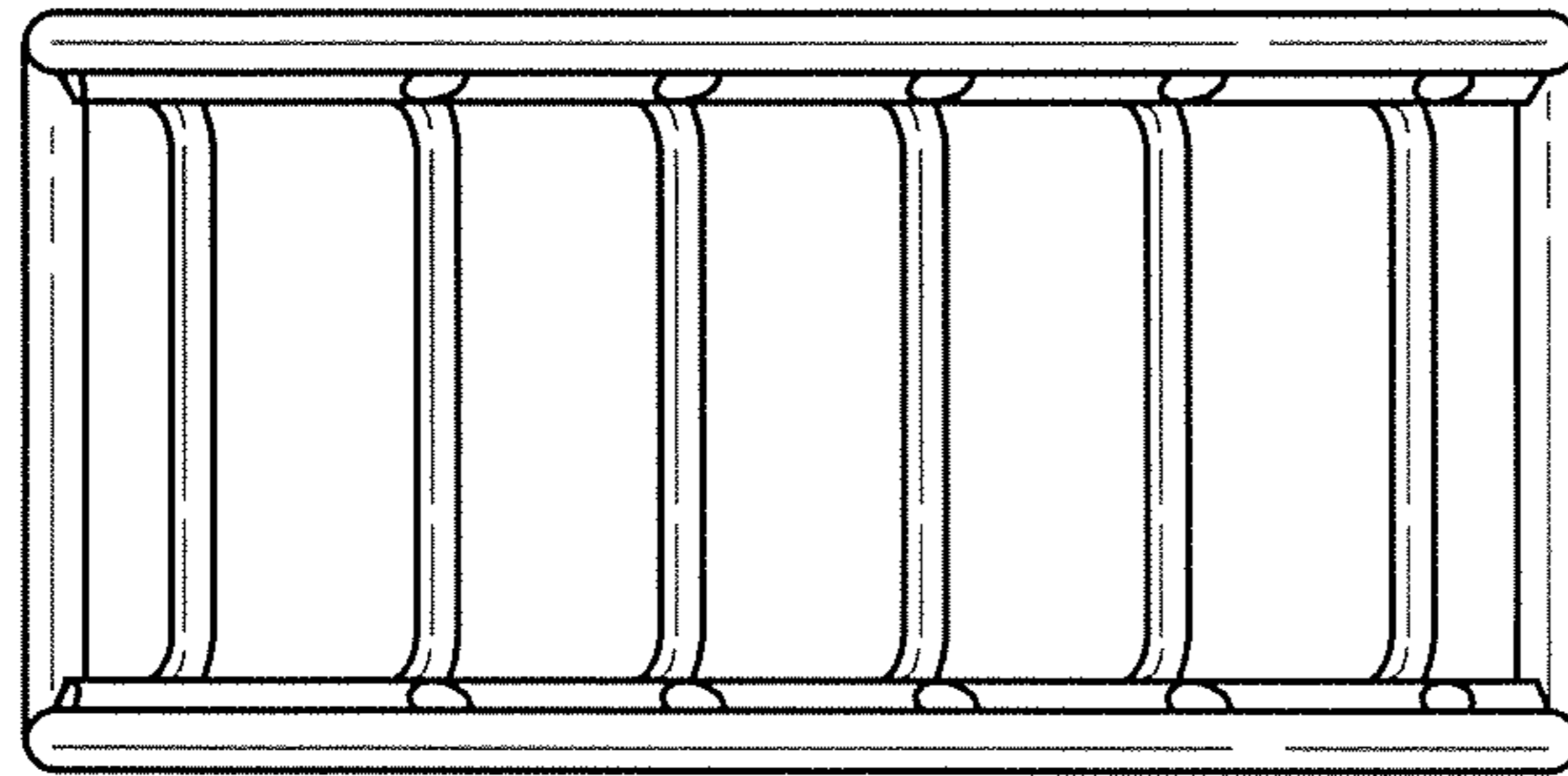


FIG. 4

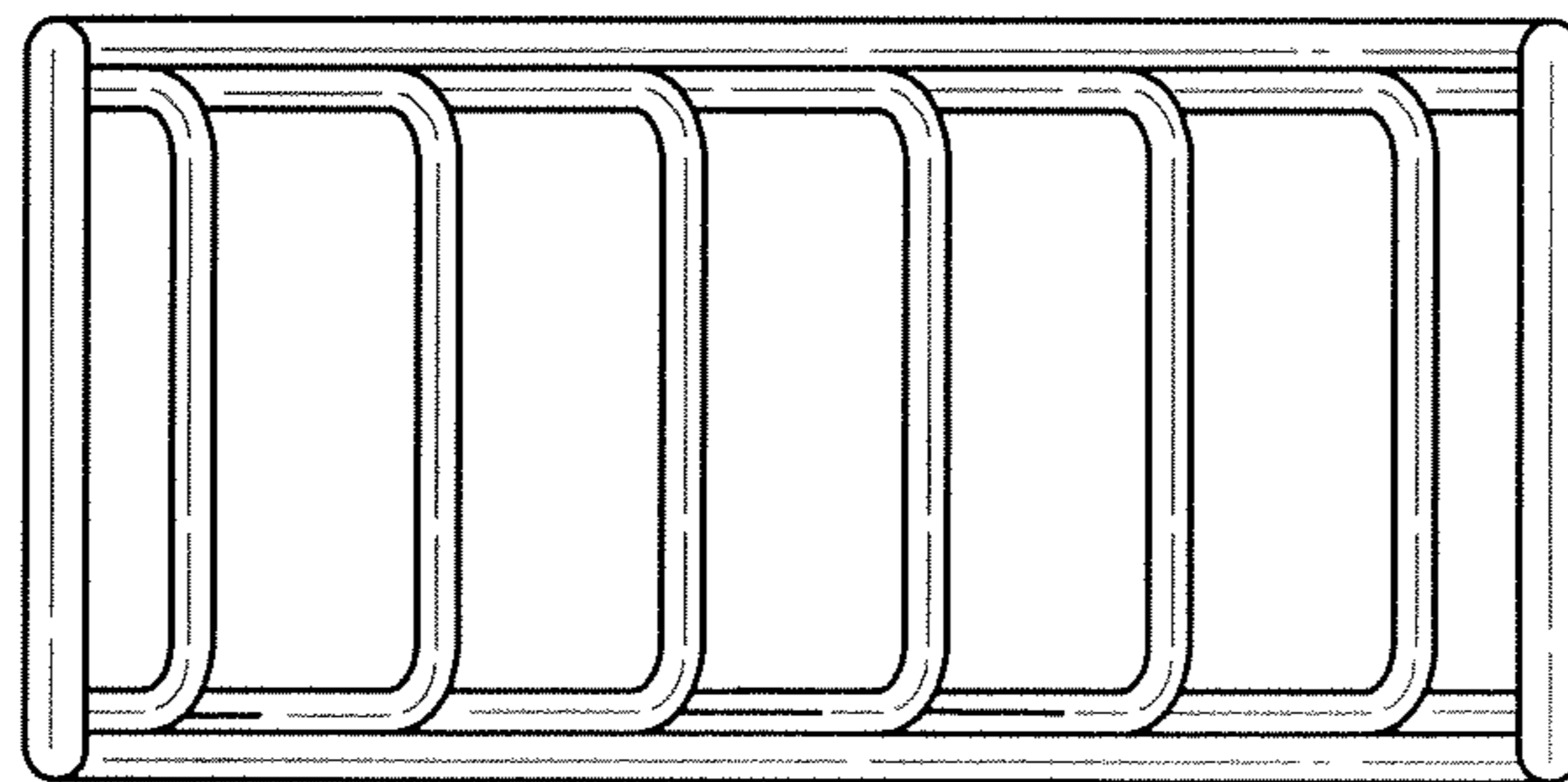


FIG. 5