



US00D785410S

(12) **United States Design Patent** (10) **Patent No.:** **US D785,410 S**
Jarvis et al. (45) **Date of Patent:** **** May 2, 2017**

(54) **FRONT LOADING FOOD BOX**

(71) Applicant: **CAMBRO MANUFACTURING COMPANY**, Huntington Beach, CA (US)

(72) Inventors: **Charles W. Jarvis**, Irvine, CA (US); **Pietro Brattoli**, Neckartenzlingen (DE); **Ernest F. Freeman**, Rancho Santa Margarita, CA (US)

(73) Assignee: **CAMBRO MANUFACTURING COMPANY**, Huntington Beach, CA (US)

(**) Term: **15 Years**

(21) Appl. No.: **29/548,787**

(22) Filed: **Dec. 16, 2015**

(51) **LOC (10) Cl.** **07-07**

(52) **U.S. Cl.**
USPC **D7/601**

(58) **Field of Classification Search**
USPC D7/601, 339, 368; D34/14
CPC A45C 11/20; E05B 47/0012; A47J 39/006; A47J 39/00; A47J 47/14; A47J 47/145; B65D 1/34; B65D 1/36; B65D 21/0209; F25D 23/021; F25B 21/02
See application file for complete search history.

6,525,659 B2 * 2/2003 Jaffe F25D 23/021 340/545.6
7,134,552 B1 * 11/2006 McDonagh A47J 47/14 206/545
7,728,711 B2 * 6/2010 Shoenfeld E05B 47/0012 340/5.1
D679,467 S * 4/2013 Nicholson D34/19
D679,468 S * 4/2013 Nicholson D34/19
2005/0077806 A1 * 4/2005 Schellenberg A47J 39/006 312/400

* cited by examiner

Primary Examiner — Terry Wallace
(74) *Attorney, Agent, or Firm* — George F. Bethel

(57) **CLAIM**
The ornamental design for a front loading food box, as shown and described.

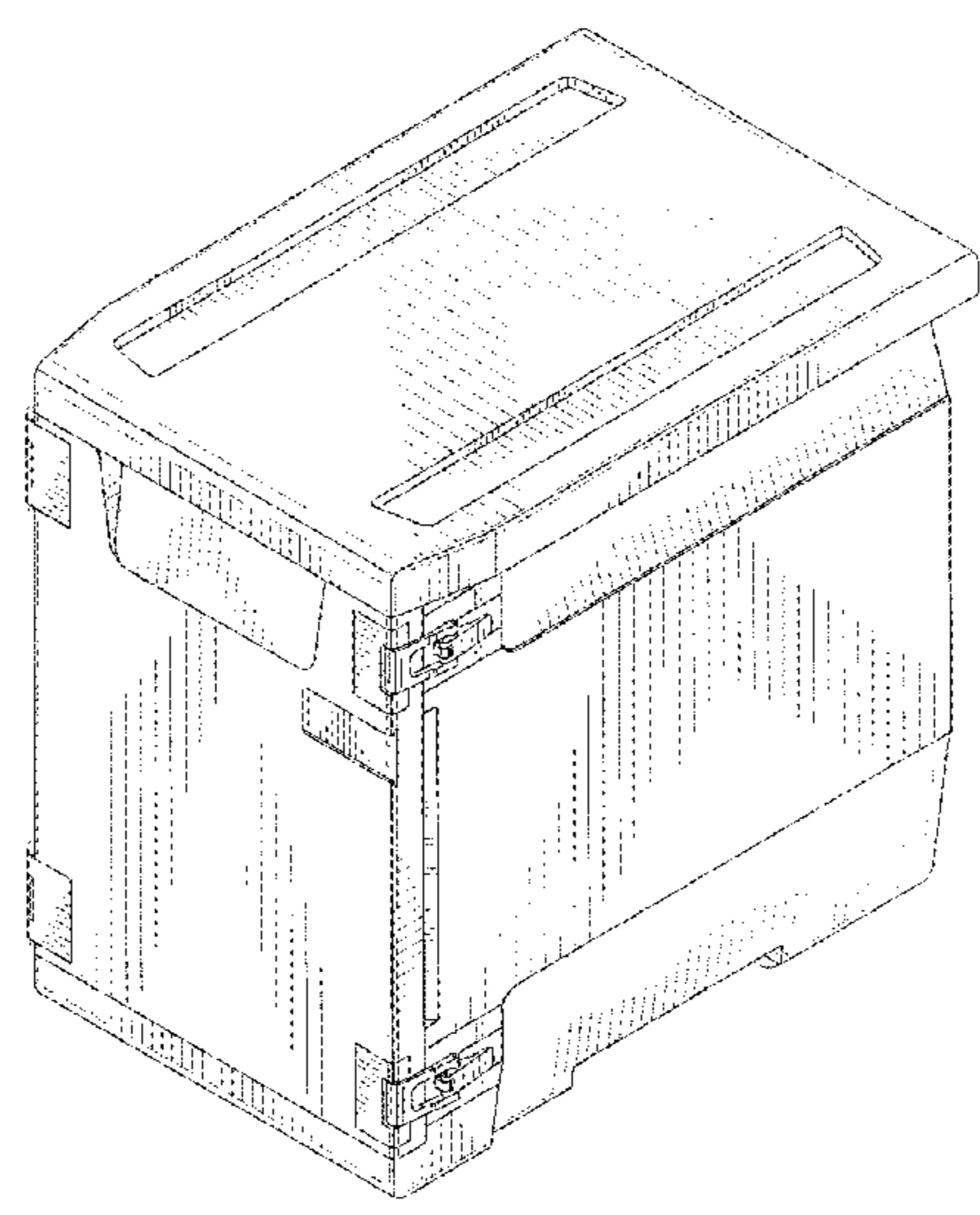
DESCRIPTION

FIG. 1 is a right frontal perspective view of the front loading food box.
FIG. 2 is a front elevation view.
FIG. 3 is a right side elevation view.
FIG. 4 is a top plan view.
FIG. 5 is a bottom plan view.
FIG. 6 is a rear elevation view.
FIG. 7 is a left side elevation view.
FIG. 8 is an alternative embodiment showing a right frontal perspective view.
FIG. 9 is a front elevation view of the alternative embodiment.
FIG. 10 is a right side elevation view of the alternative embodiment.
FIG. 11 is a top plan view of the alternative embodiment.
FIG. 12 is a bottom plan view of the alternative embodiment.
FIG. 13 is a rear elevation view of the alternative embodiment; and,
FIG. 14 is a left side elevation view of the alternative embodiment of the front loading food box.

1 Claim, 8 Drawing Sheets

(56) **References Cited**
U.S. PATENT DOCUMENTS

3,379,482 A * 4/1968 Baggott B65D 21/0209 312/111
5,454,471 A * 10/1995 Norvell A47J 47/145 126/400
5,501,338 A * 3/1996 Preston A45C 11/20 206/499
D392,158 S * 3/1998 Maddux 312/200
D393,128 S * 3/1998 Maddux D34/14



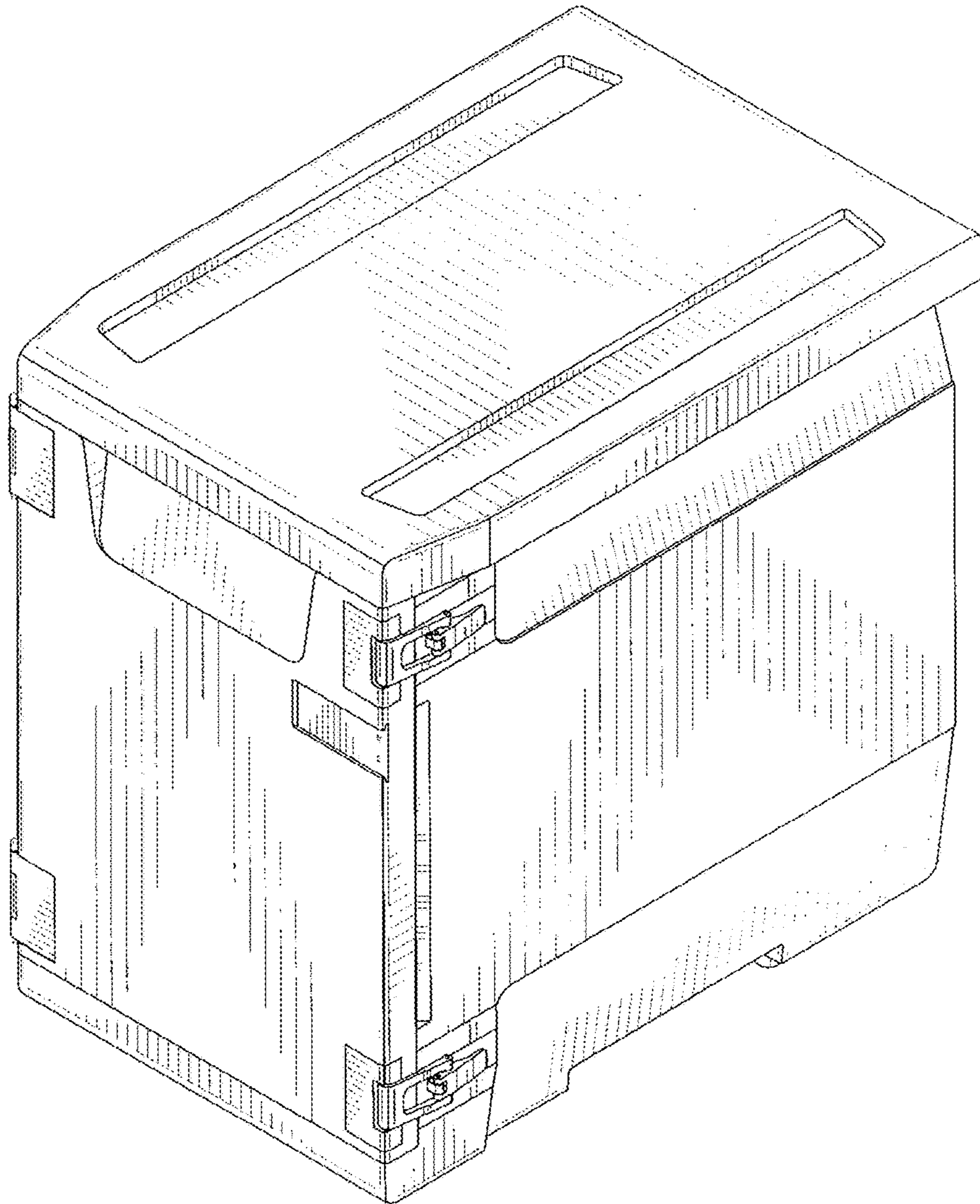


FIG. 1

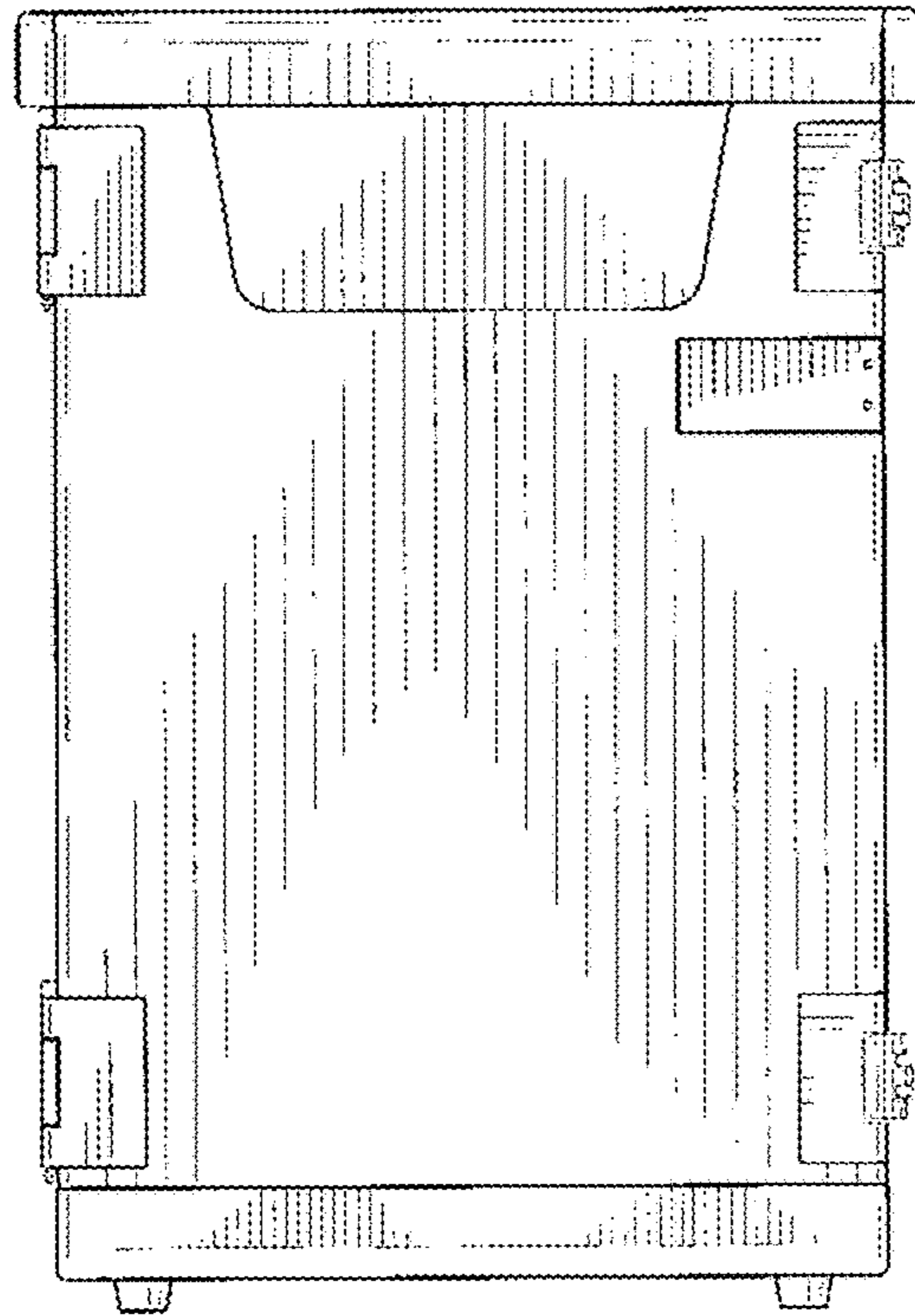


FIG. 2

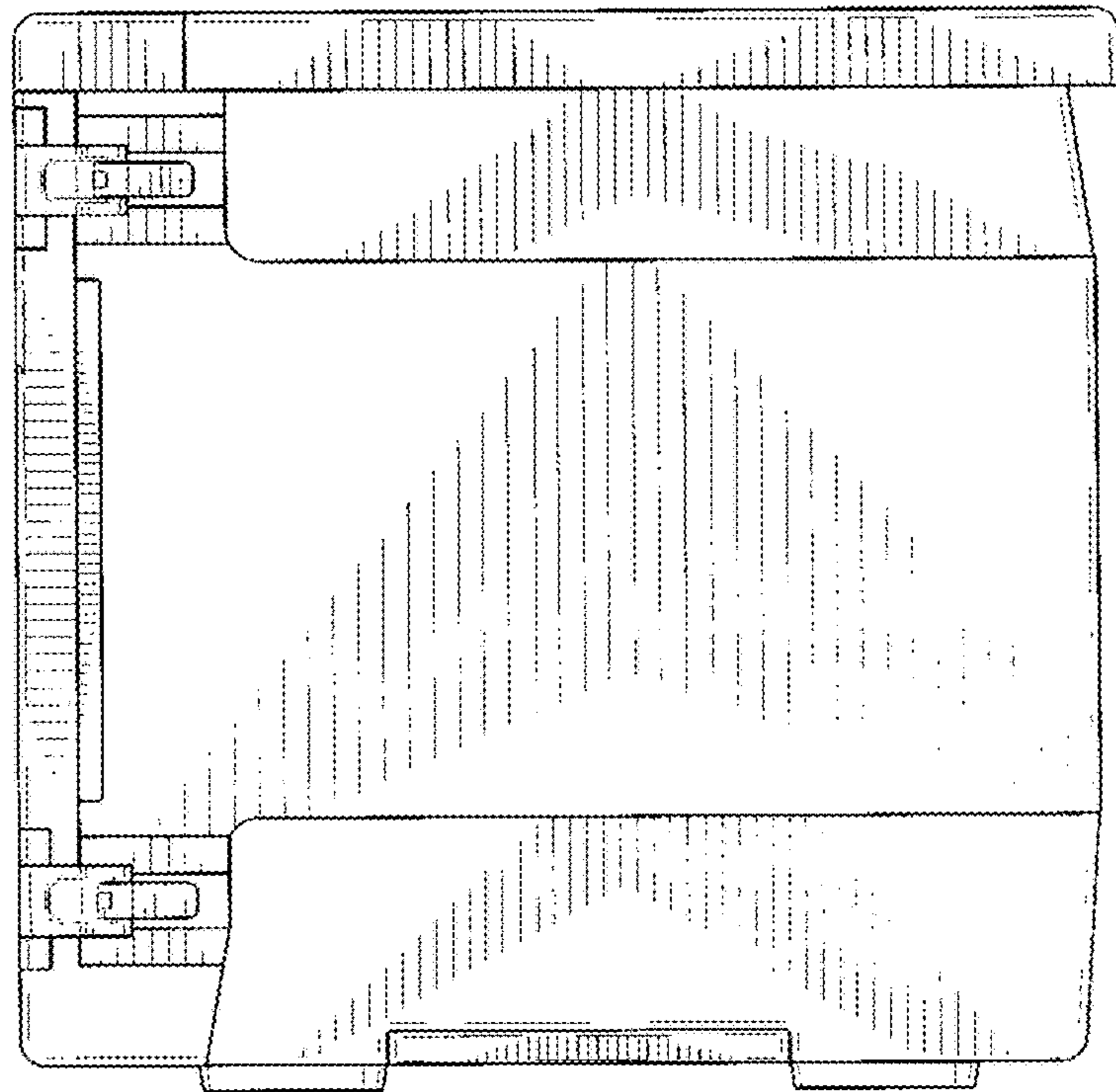


FIG. 3

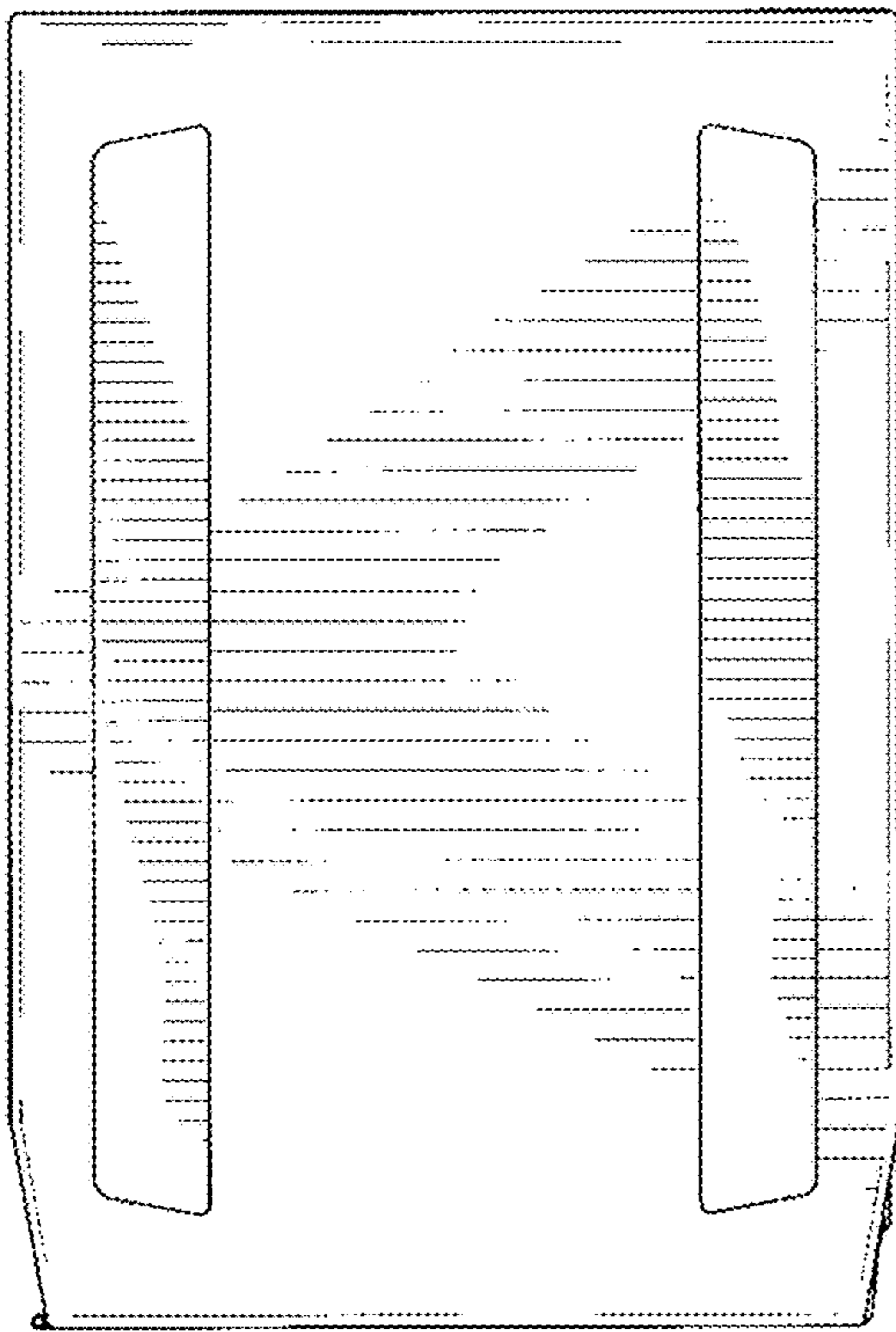


FIG. 4

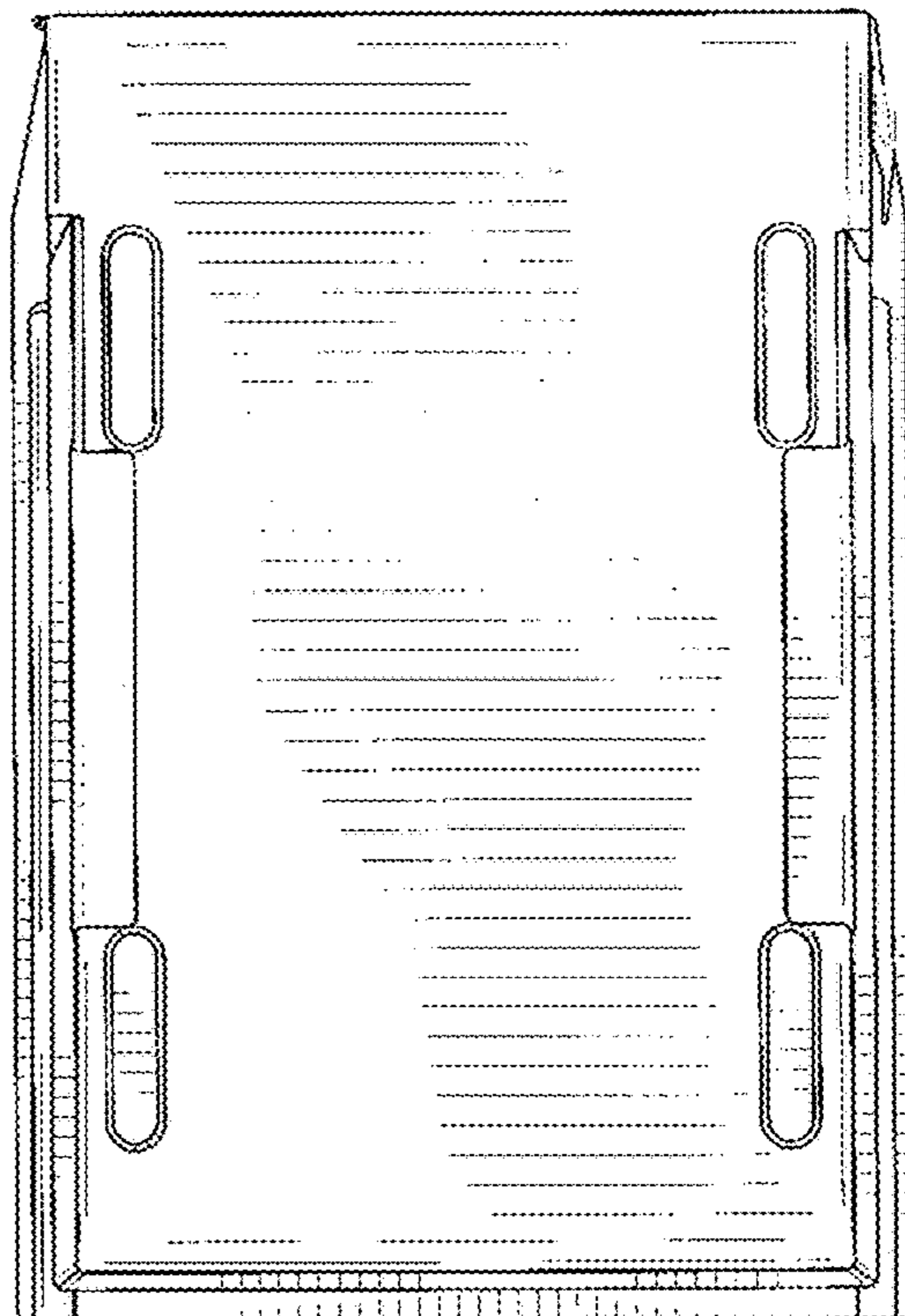


FIG. 5

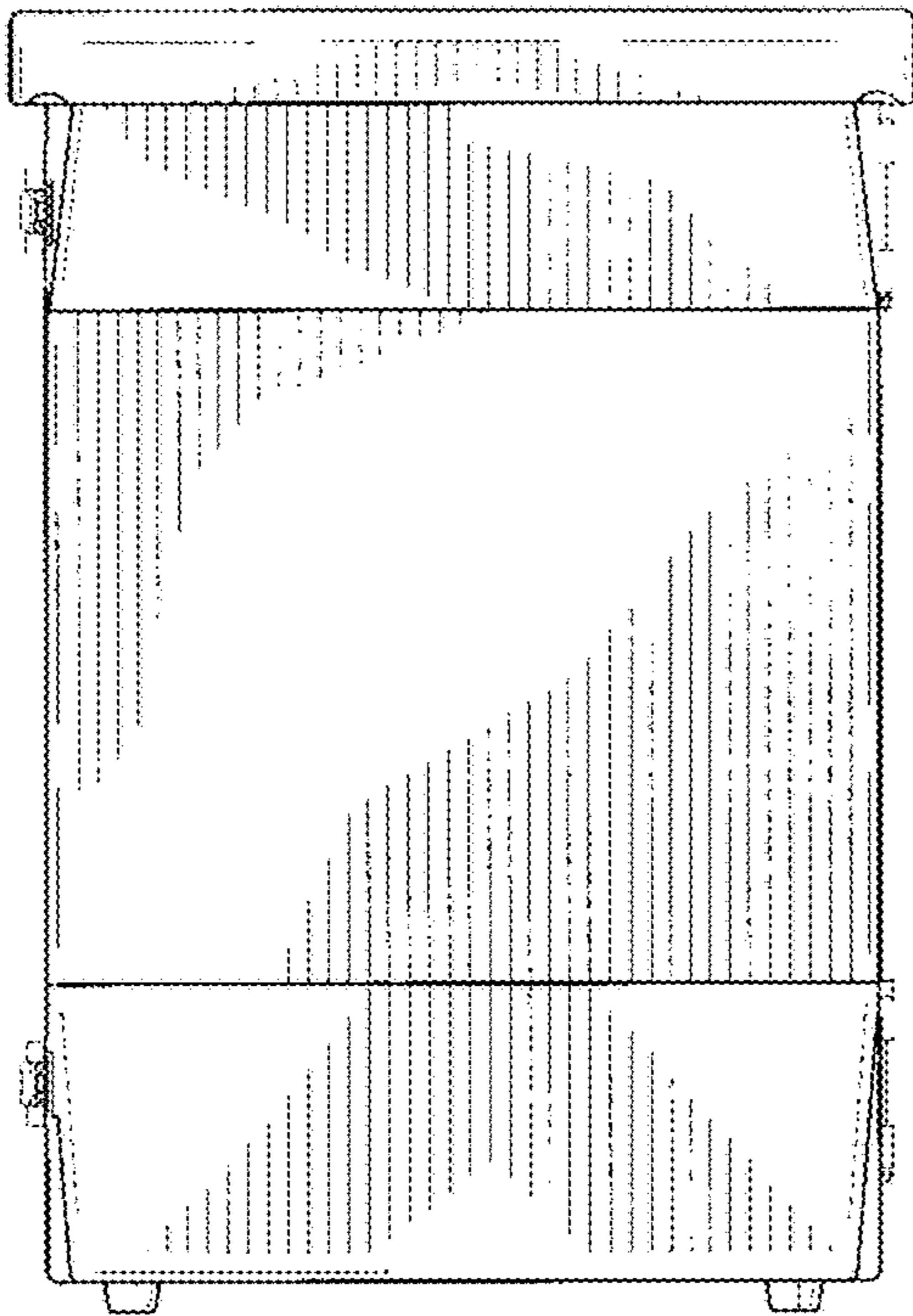


FIG. 6

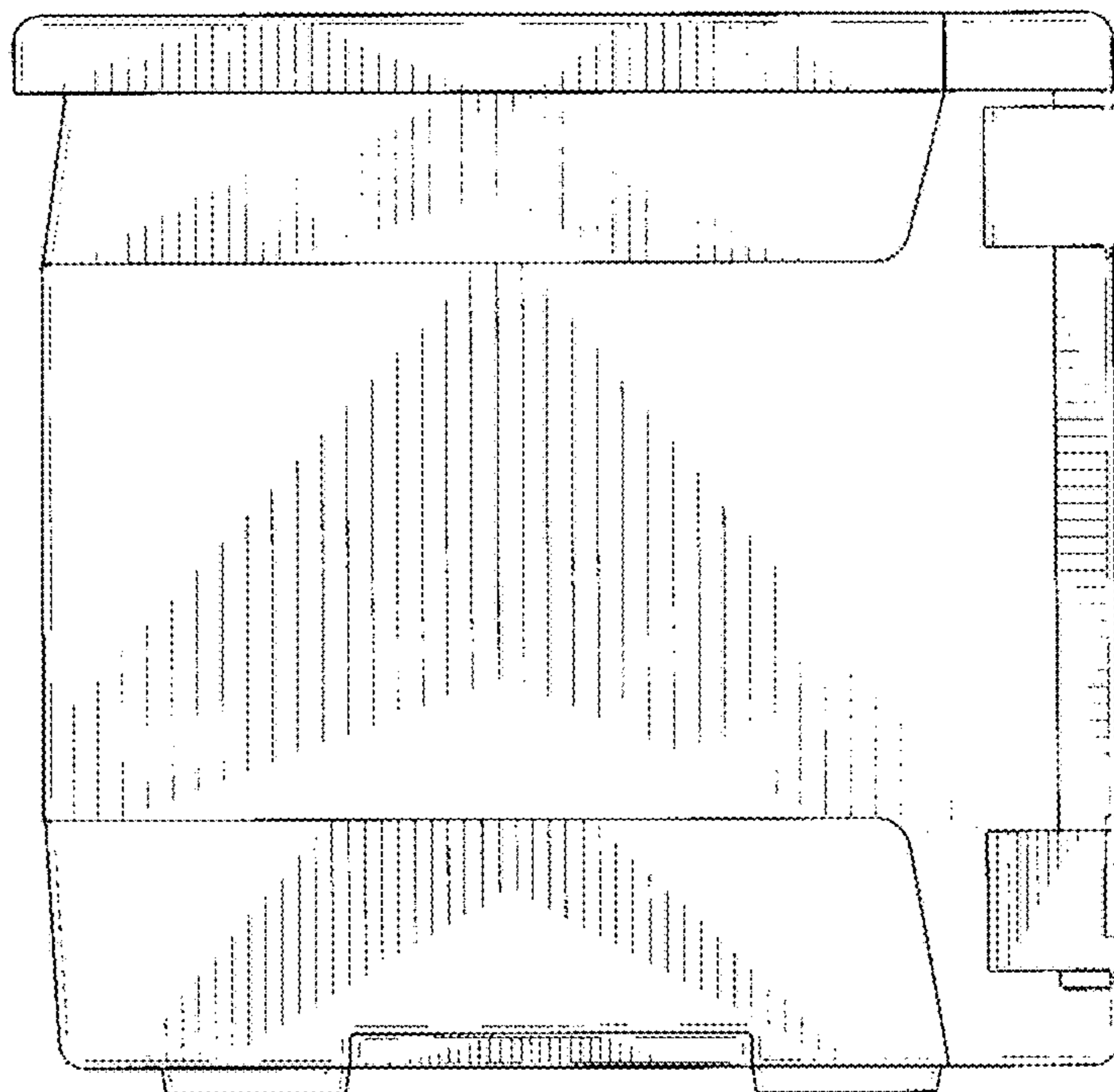


FIG. 7

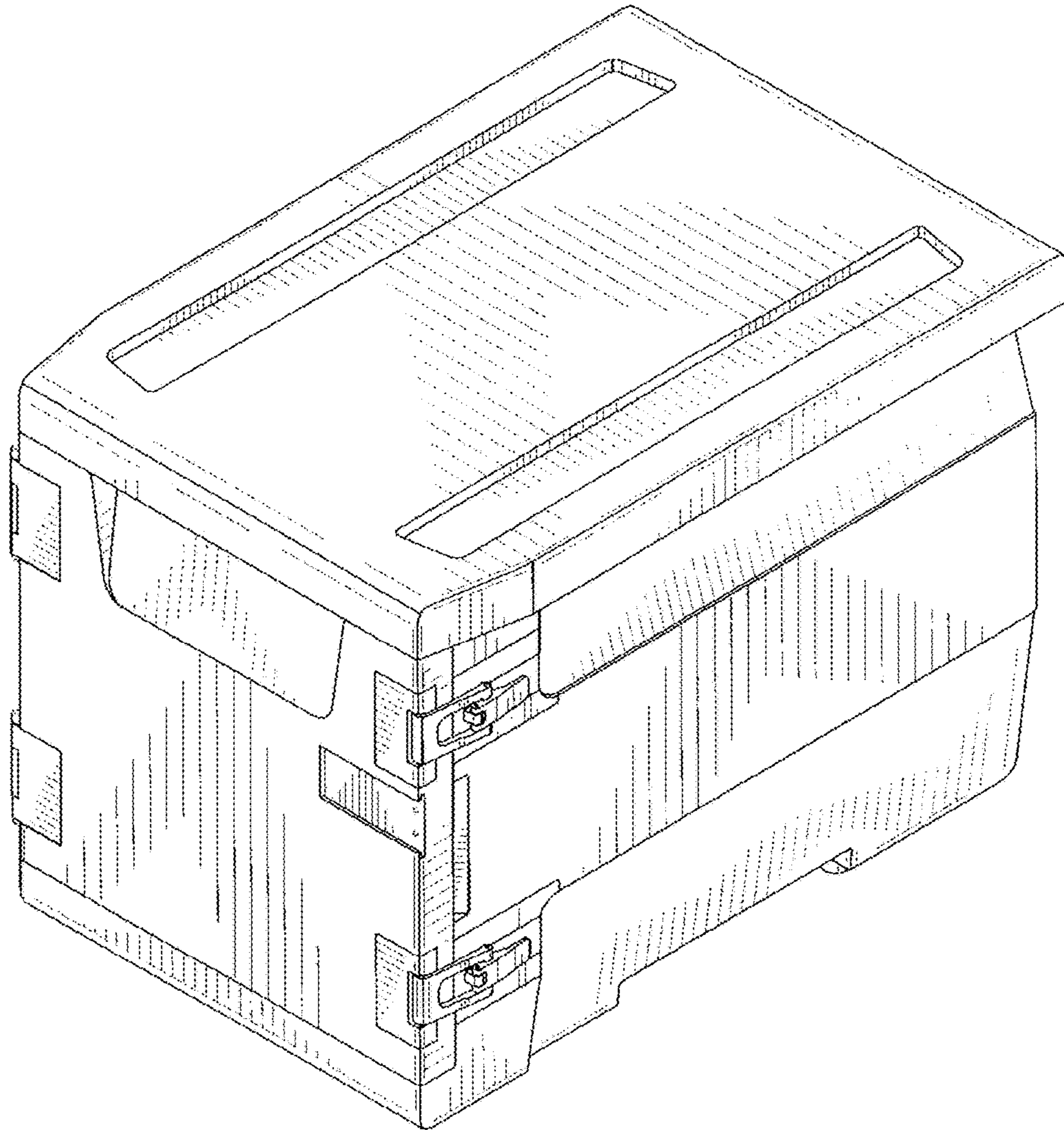


FIG. 8

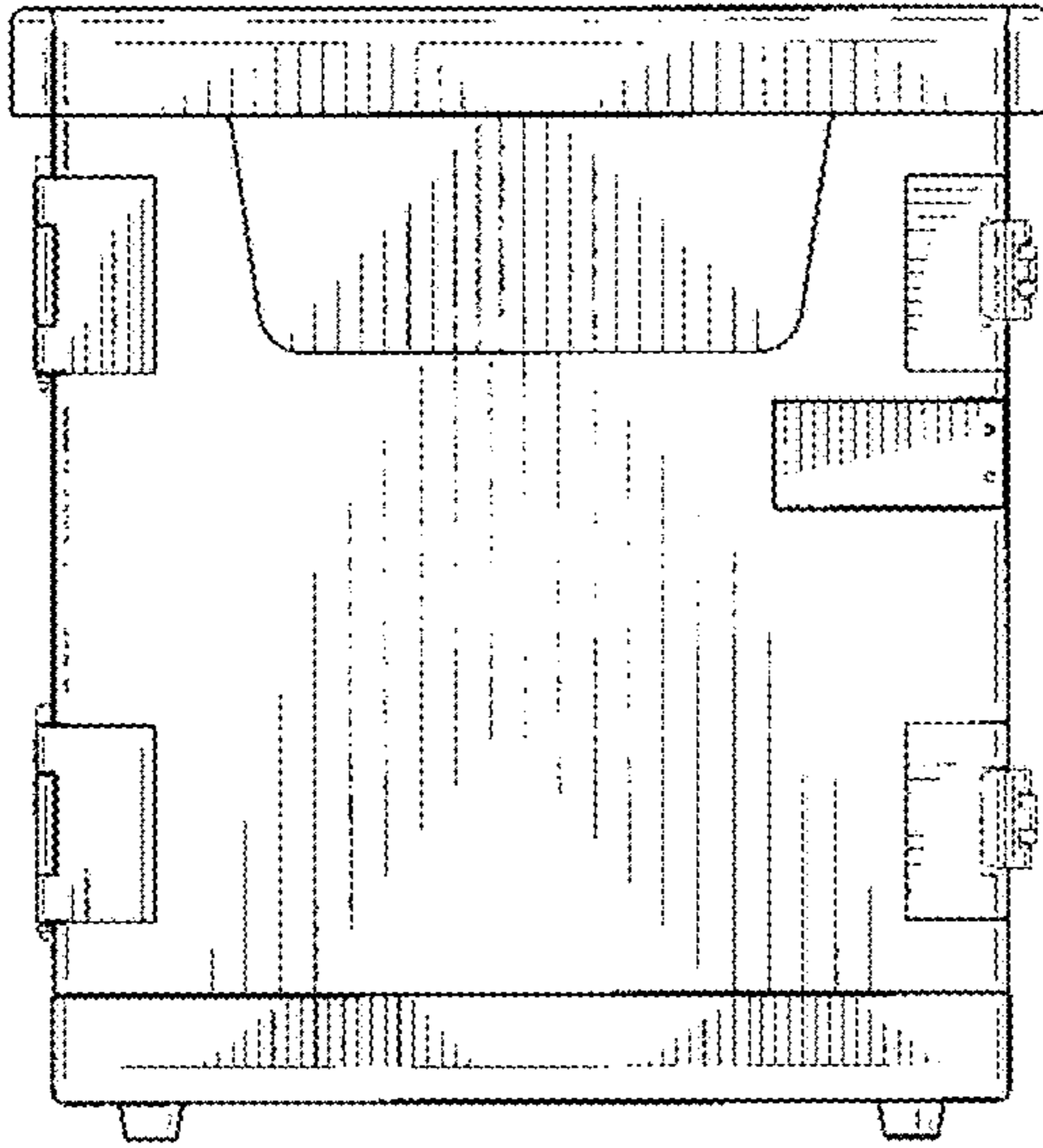


FIG. 9

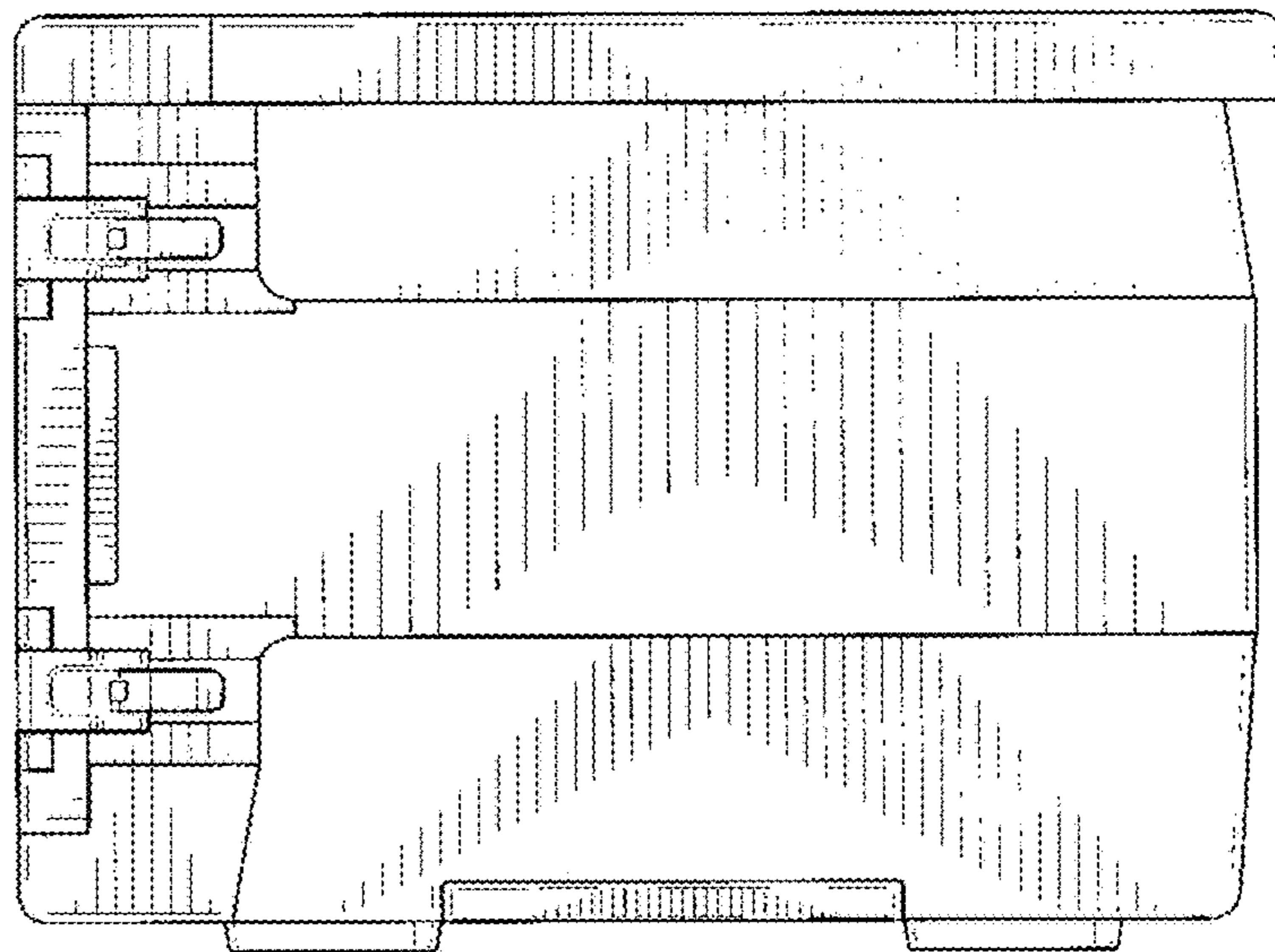


FIG. 10

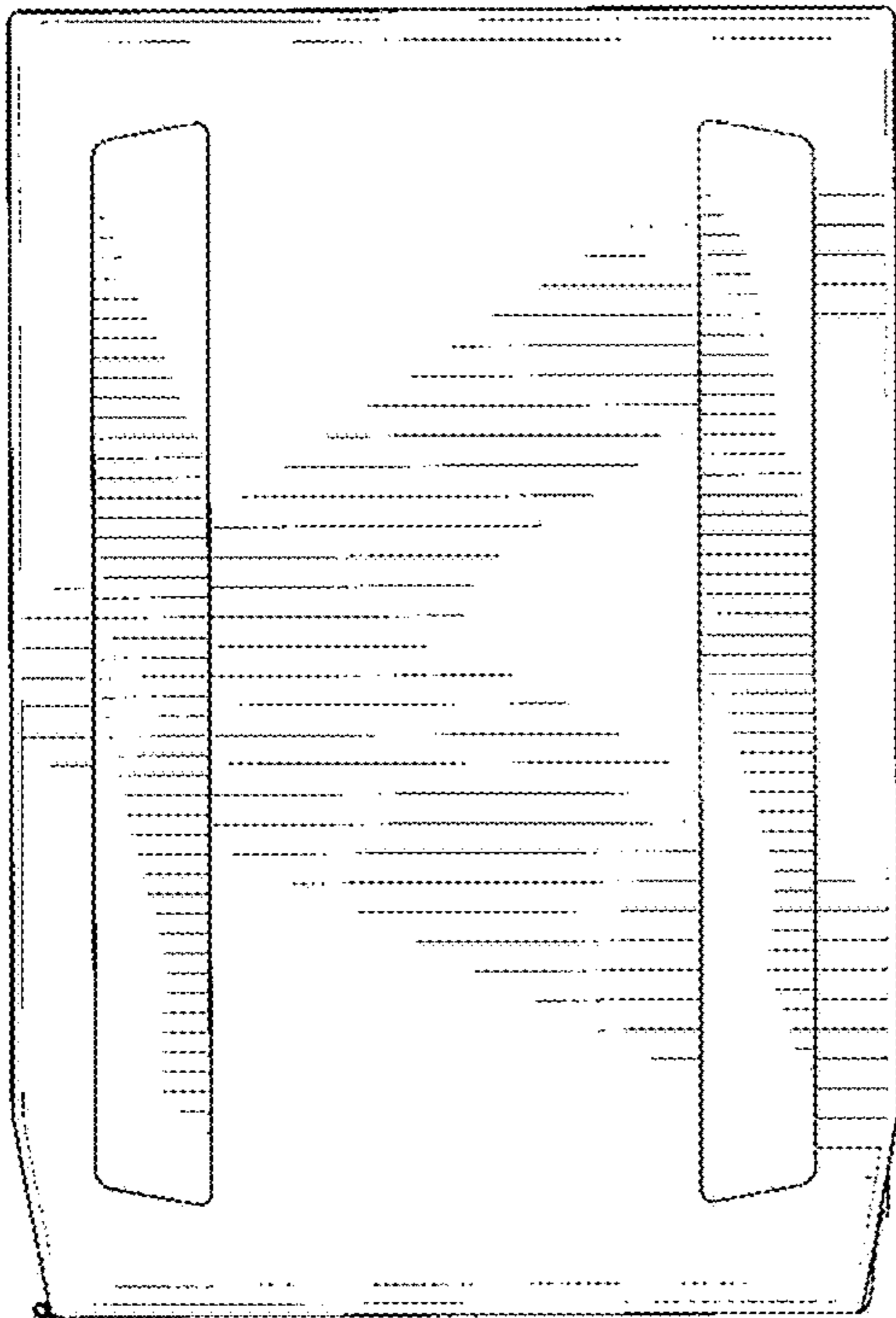


FIG. 11

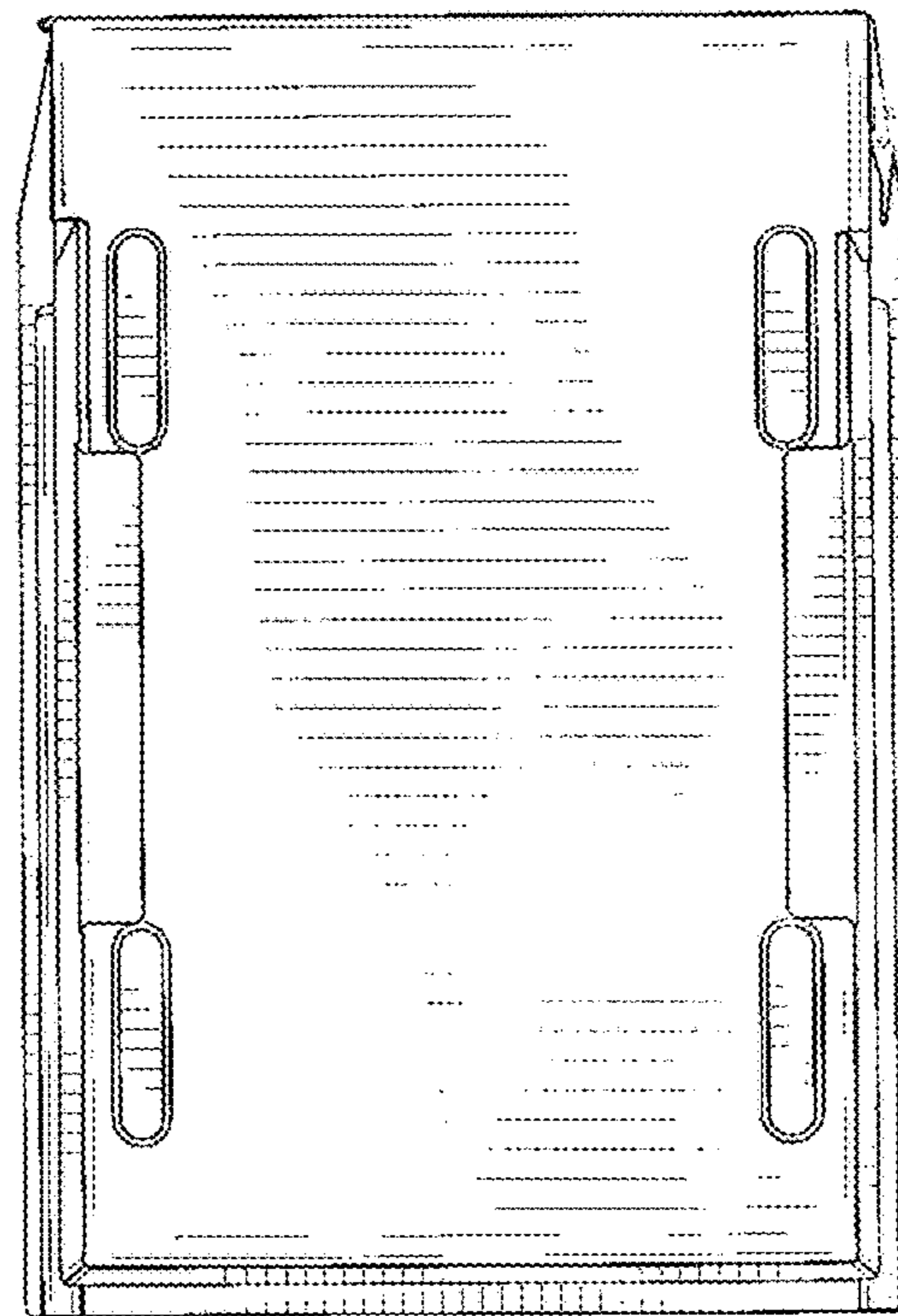


FIG. 12

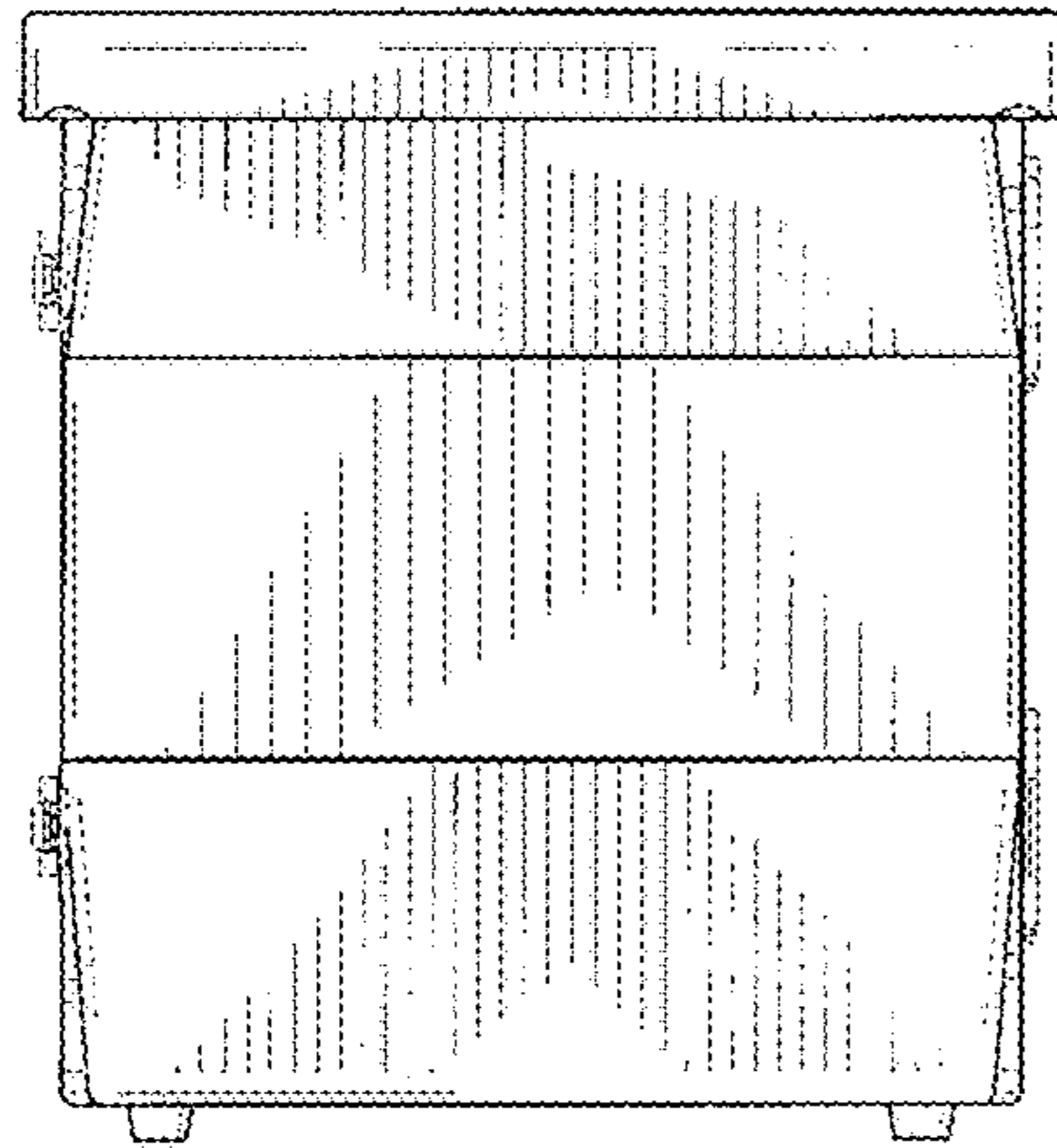


FIG. 13

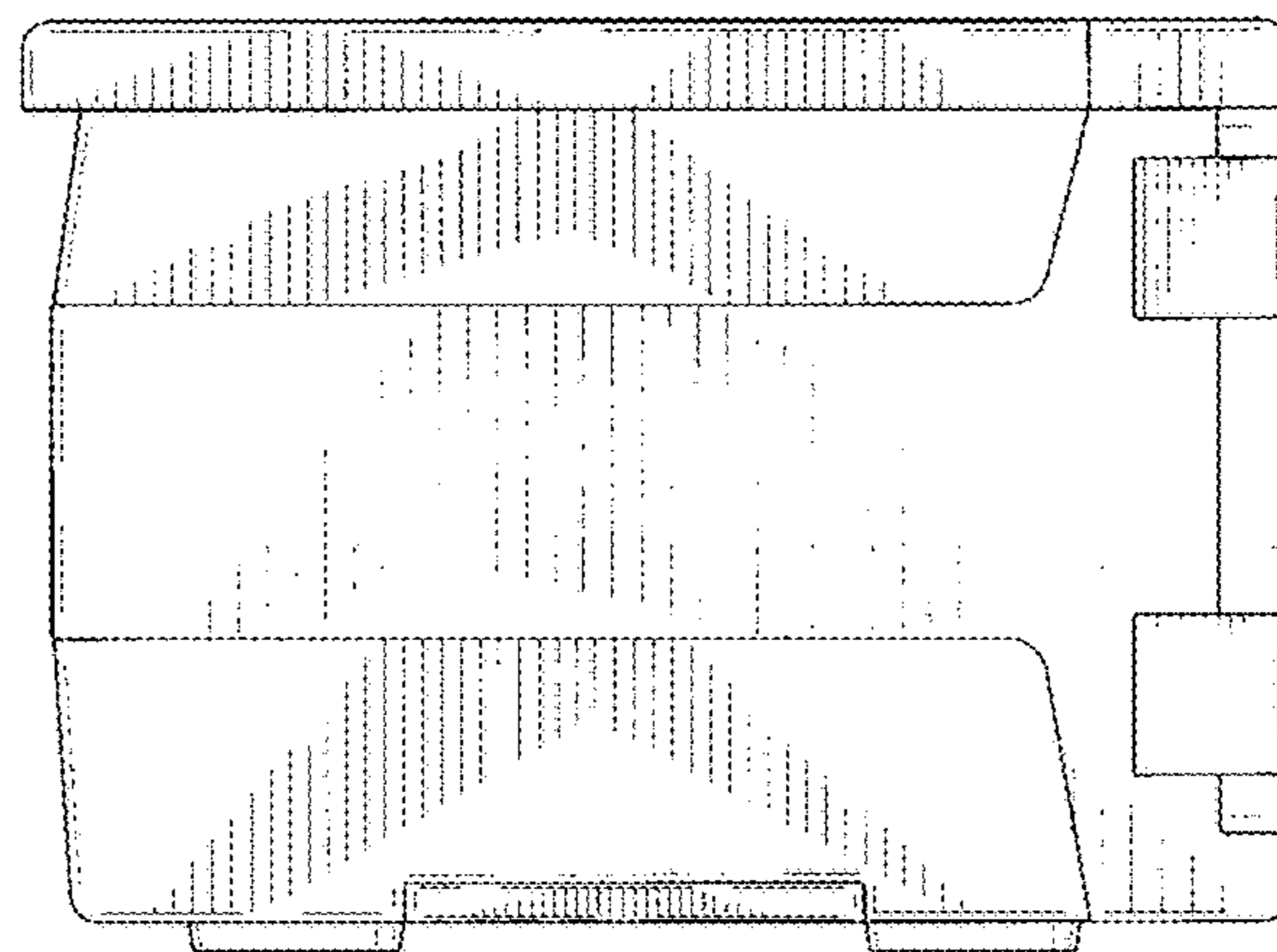


FIG. 14