



US00D785407S

(12) **United States Design Patent** (10) **Patent No.:** **US D785,407 S**
Schneck (45) **Date of Patent:** **** May 2, 2017**

(54) **BOWL**
(71) Applicant: **OMMO Co., Limited**, WanChai (HK)
(72) Inventor: **Shane Schneck**, GuangDong (CN)
(73) Assignee: **OMMO Co. Limited**, Wanchai (HK)
(**) Term: **15 Years**
(21) Appl. No.: **29/536,954**
(22) Filed: **Aug. 20, 2015**
(51) **LOC (10) Cl.** **07-01**
(52) **U.S. Cl.**
USPC **D7/558; D7/557; D7/553.8**
(58) **Field of Classification Search**
USPC **D7/558, 559, 584, 557, 553.8, 619.1,**
D7/586; 220/575
CPC **A47G 19/06; A47G 19/02; A47G 2200/08;**
B65D 85/72
See application file for complete search history.

D208,097 S * 7/1967 Henn D7/558
D246,750 S * 12/1977 Harshman D11/152
D286,250 S * 10/1986 Prescott D7/557
D297,799 S * 9/1988 Hammer D7/507
D303,194 S * 9/1989 Darby D7/507
D465,973 S * 11/2002 Dritlein, Jr. D7/538
D601,310 S * 9/2009 Greenan D30/129
D667,277 S * 9/2012 Belitz D7/619.1
8,998,158 B2 * 4/2015 St. Jacques A01K 5/0135
248/205.5
D750,939 S * 3/2016 Kellow, Jr. D7/557

* cited by examiner
Primary Examiner — Marianne Pandozzi
(74) *Attorney, Agent, or Firm* — Schmeiser, Olsen & Watts, LLP

(57) **CLAIM**
The ornamental design for a bowl, as shown and described.

DESCRIPTION
FIG. 1 is a front view of a bowl showing my new design;
FIG. 2 is a rear view thereof;
FIG. 3 is a right side view thereof;
FIG. 4 is a left side view thereof;
FIG. 5 is a top plan view thereof at a reduced scale;
FIG. 6 is a bottom plan view thereof at a reduced scale;
FIG. 7 is a top perspective view thereof; and,
FIG. 8 is a bottom perspective view thereof.

(56) **References Cited**
U.S. PATENT DOCUMENTS
D80,971 S * 4/1930 Sakier D7/558
2,920,804 A * 1/1960 Minton A47G 19/06
215/395
D193,198 S * 7/1962 Cumbus D10/22

1 Claim, 8 Drawing Sheets

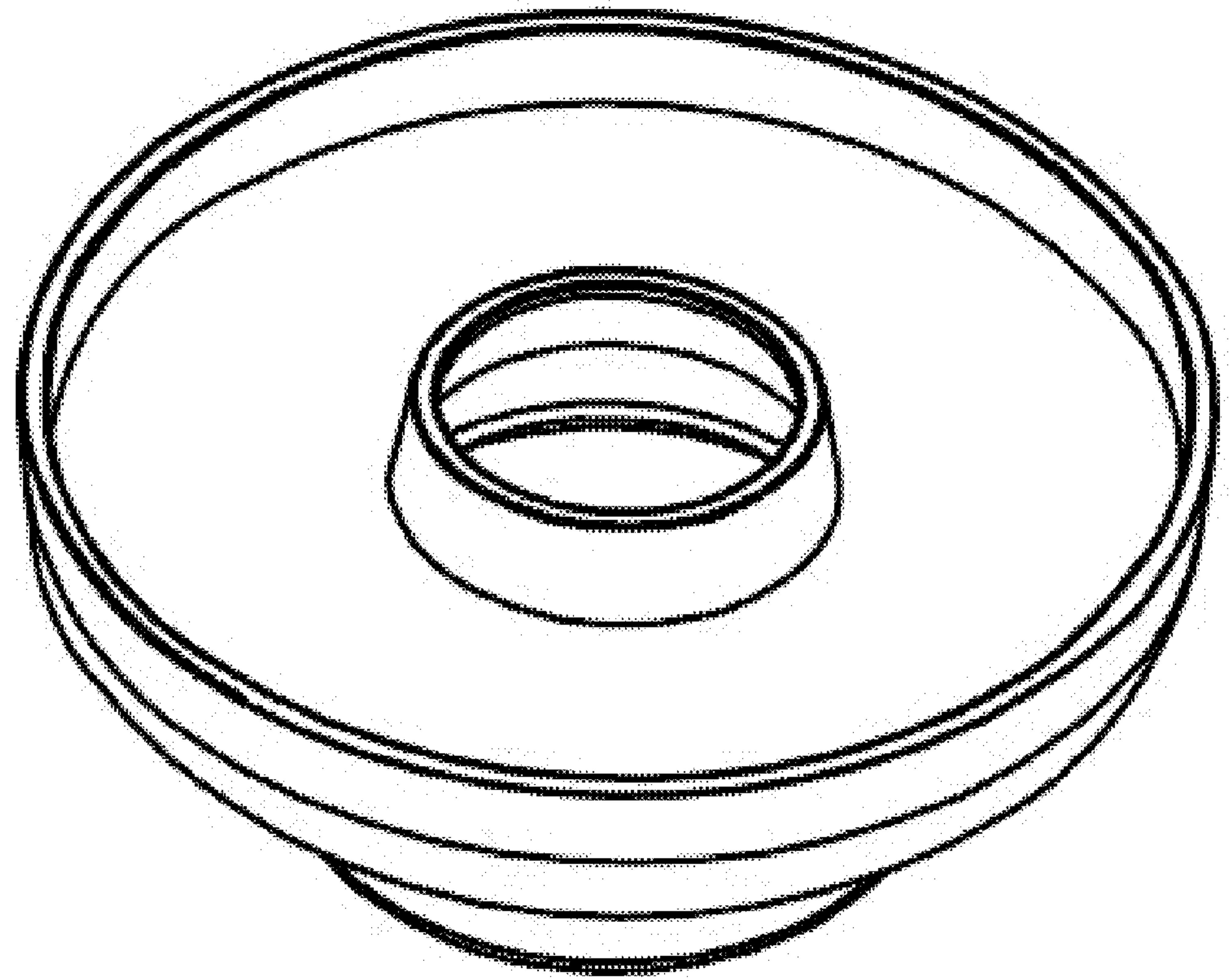


FIG. 1

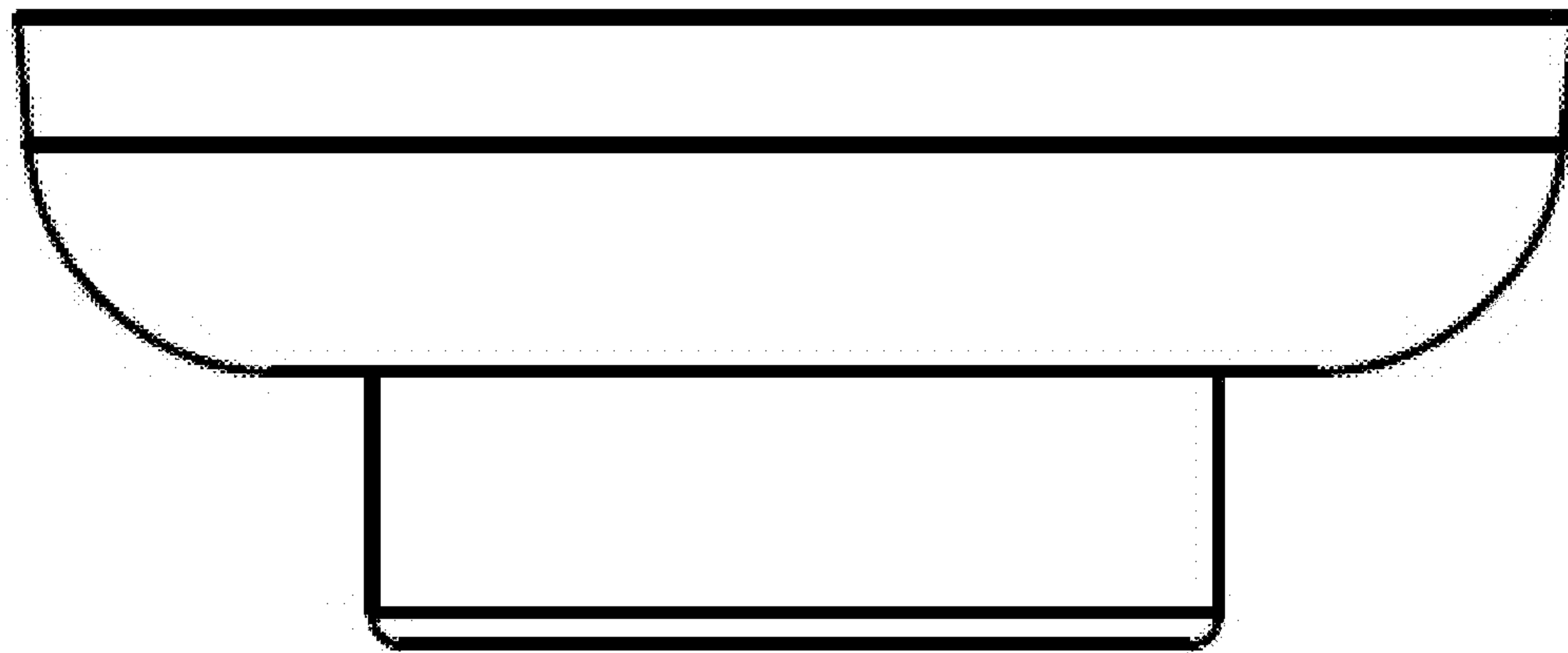


FIG. 2

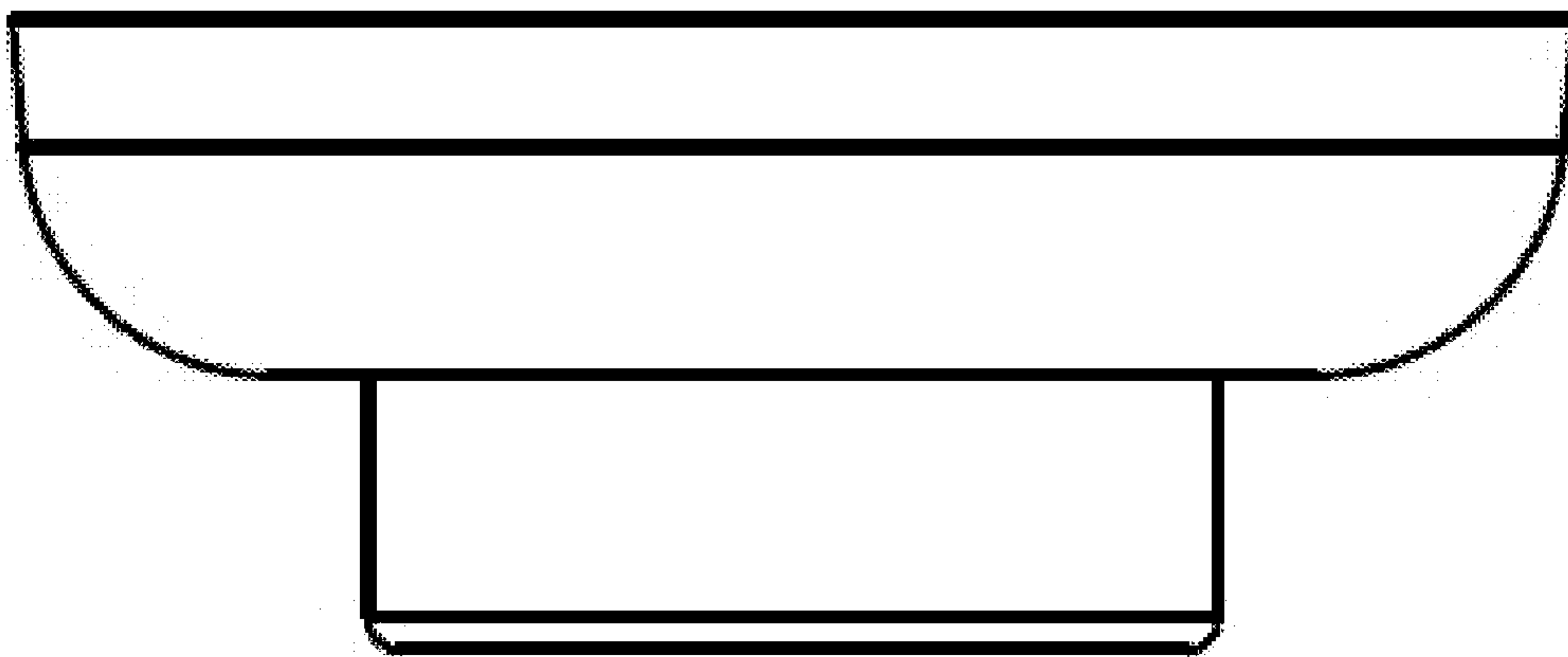


FIG. 3

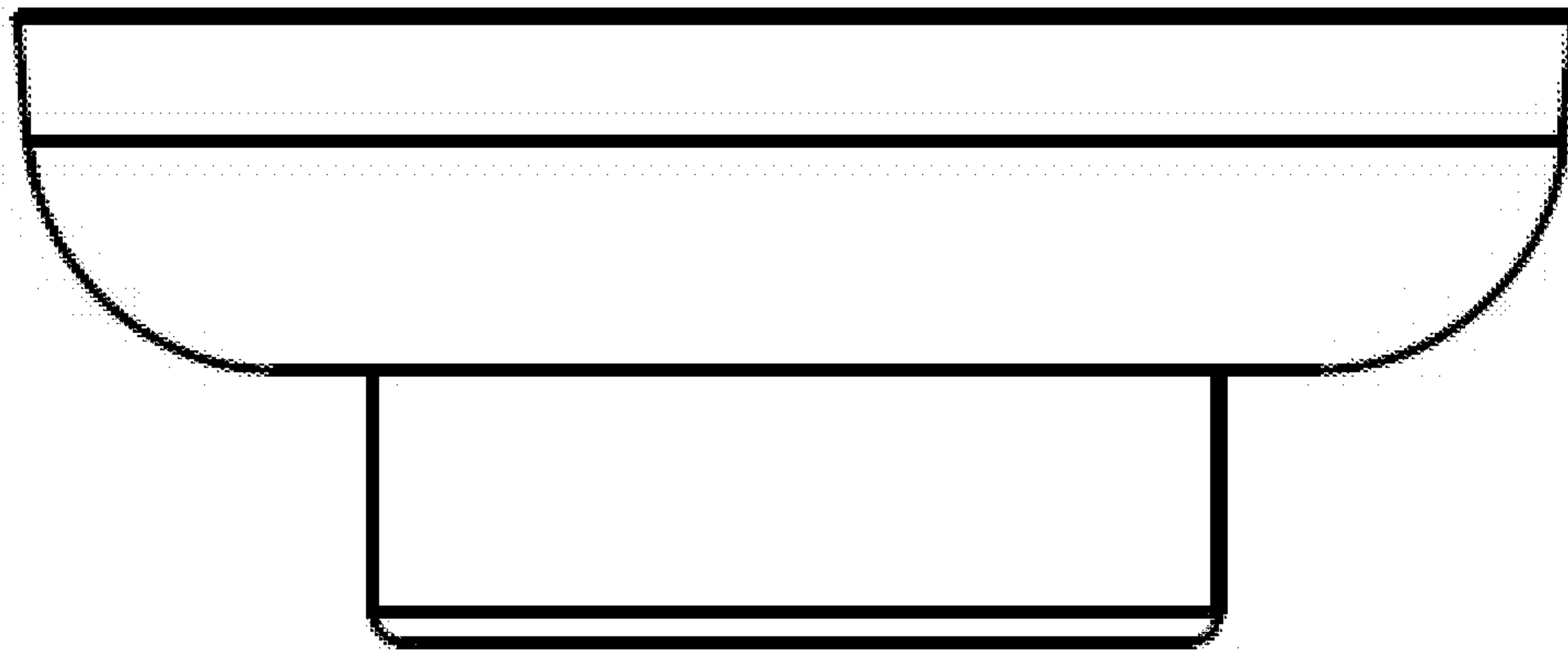


FIG. 4

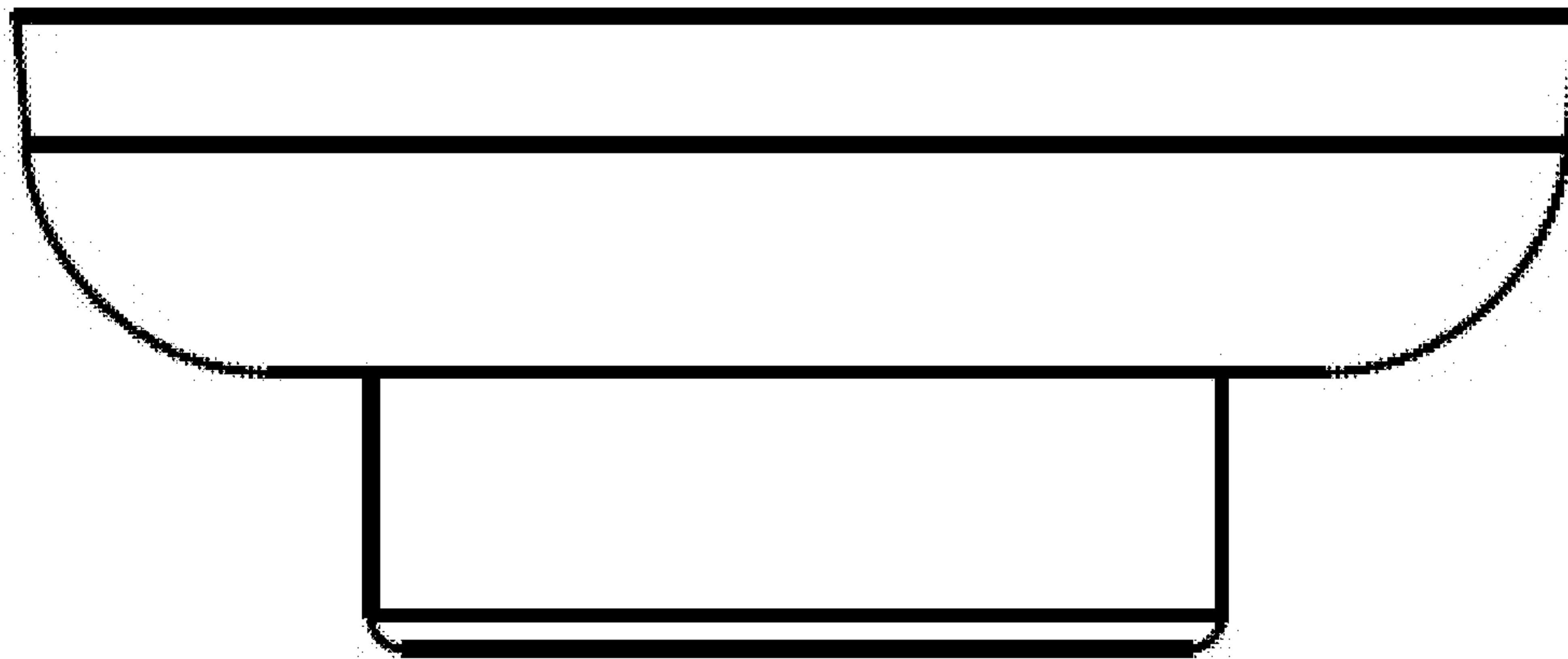


FIG. 5

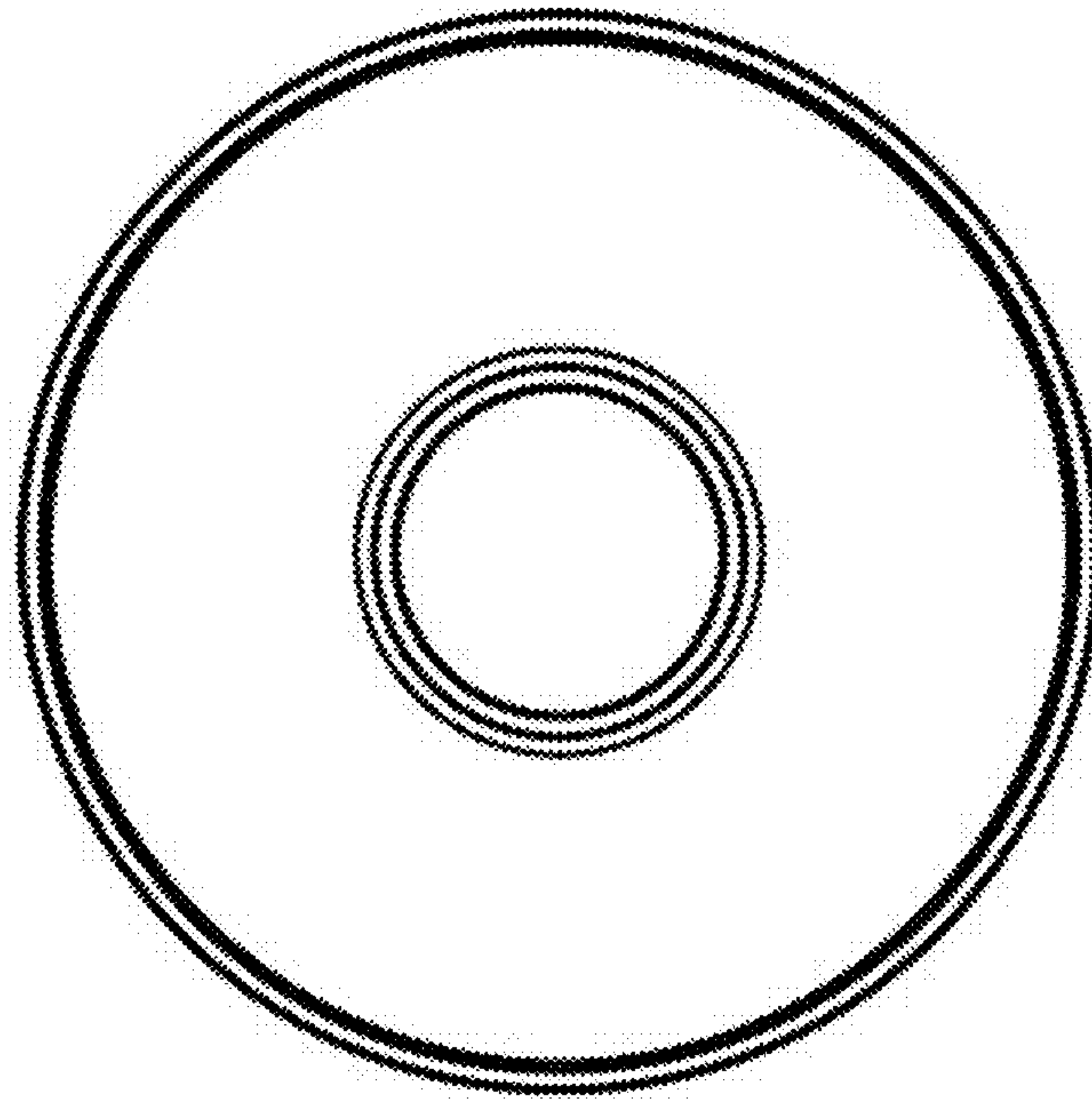


FIG. 6

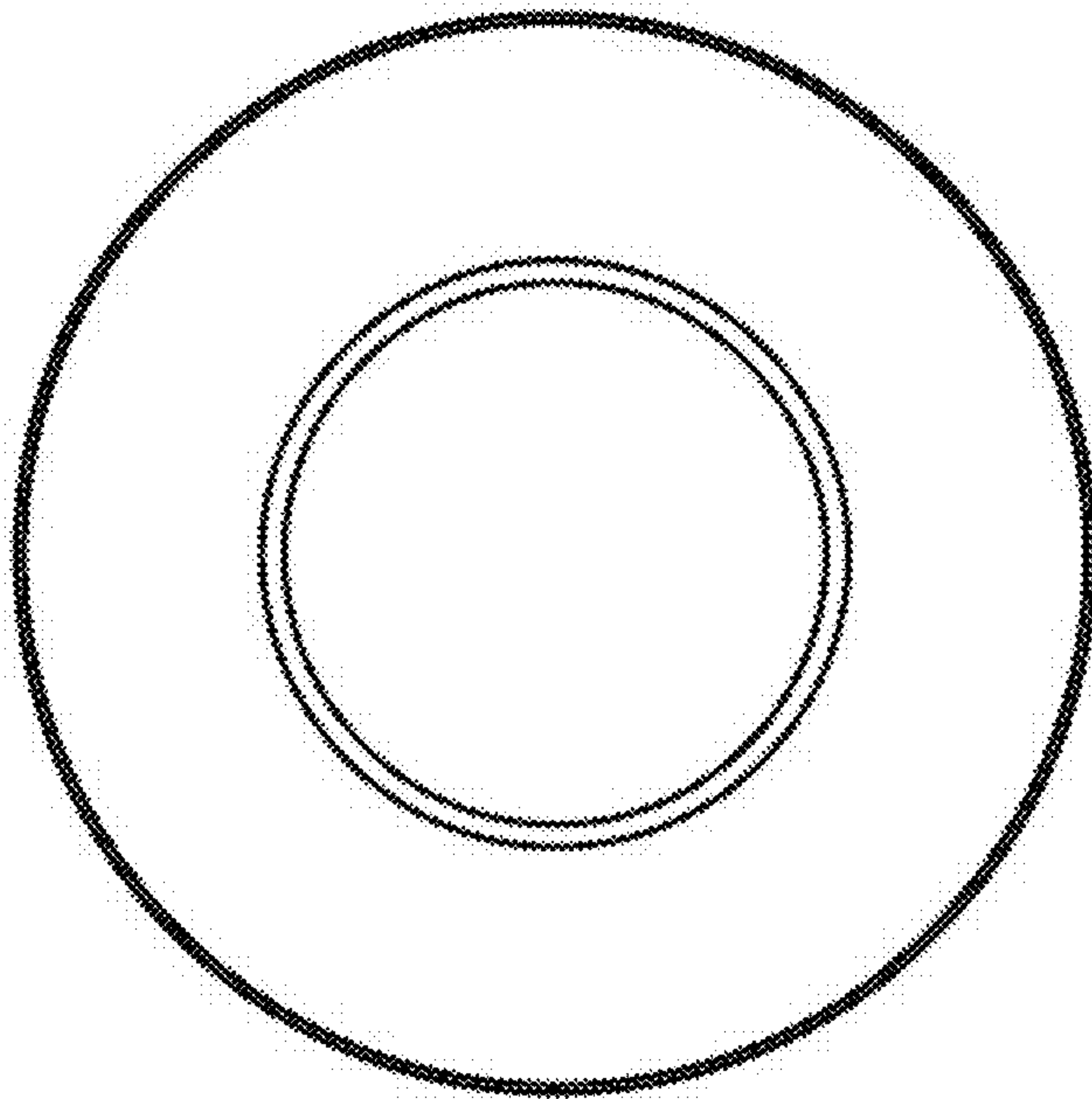


FIG. 7

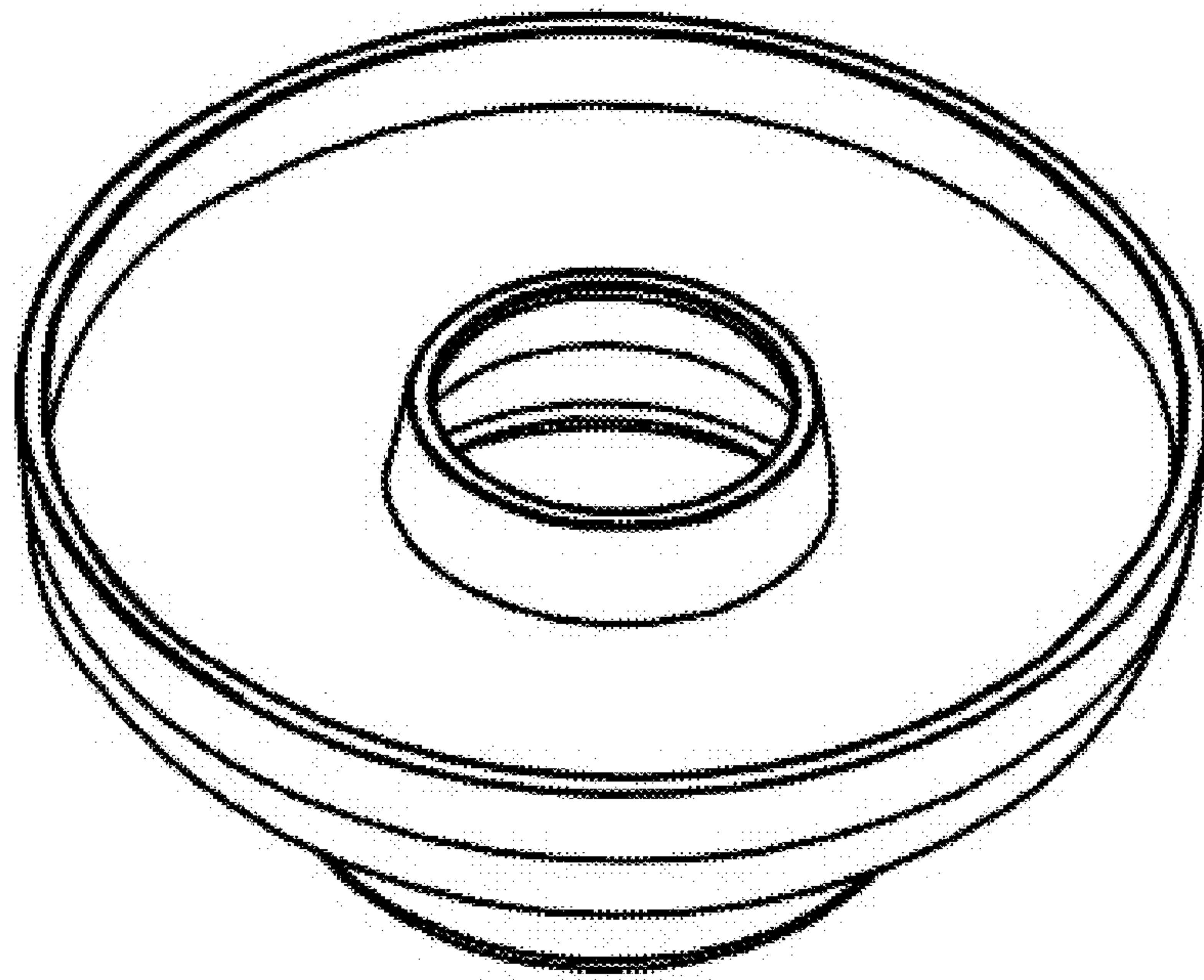


FIG. 8

