



US00D785406S

(12) **United States Design Patent**  
**Wansink**

(10) **Patent No.:** **US D785,406 S**

(45) **Date of Patent:** **\*\* May 2, 2017**

(54) **FOOD TRAY**

(71) Applicant: **Brian Wansink**, Ithaca, NY (US)

(72) Inventor: **Brian Wansink**, Ithaca, NY (US)

(\*\*) Term: **15 Years**

(21) Appl. No.: **29/548,167**

(22) Filed: **Dec. 10, 2015**

D376,296 S *	12/1996	Dunn	.....	D7/553.5
D423,290 S *	4/2000	Green	.....	D6/406.1
D440,118 S *	4/2001	Claffy	.....	D7/553.1
D568,687 S *	5/2008	Lovett	.....	D7/553.3
D591,560 S *	5/2009	Lackey	.....	D12/419
D600,504 S *	9/2009	Clark	.....	D7/553.5
D634,541 S *	3/2011	Gutierrez	.....	D3/313
D651,047 S *	12/2011	Johnson	.....	D7/553.1
8,381,662 B2 *	2/2013	Goldszer	.....	A47B 37/04
				108/25
D721,543 S *	1/2015	Min	.....	D7/553.1
D769,678 S *	10/2016	Jussen	.....	D7/701
D770,856 S *	11/2016	Li	.....	D7/553.2

\* cited by examiner

**Related U.S. Application Data**

(63) Continuation-in-part of application No. 14/863,429, filed on Sep. 23, 2015.

(51) **LOC (10) Cl.** ..... **07-01**

(52) **U.S. Cl.**  
USPC ..... **D7/553.2**

(58) **Field of Classification Search**  
USPC ..... D7/396.4, 501, 505, 571, 538, 540,  
D7/541-543, 545, 546, 549, 552.1, 553,  
D7/553.1, 553.2, 553.6, 554.2; D9/424,  
D9/432, 716, 719, 738-740, 744-745,  
D9/756, 759-760, 761; D30/130  
CPC ..... B65D 1/34; B65D 21/00; B65D 21/0204  
See application file for complete search history.

*Primary Examiner* — Kelley Donnelly

(74) *Attorney, Agent, or Firm* — Durham Jones & Pinegar, P.C.

(57) **CLAIM**

The ornamental design for a food tray, as shown and described.

**DESCRIPTION**

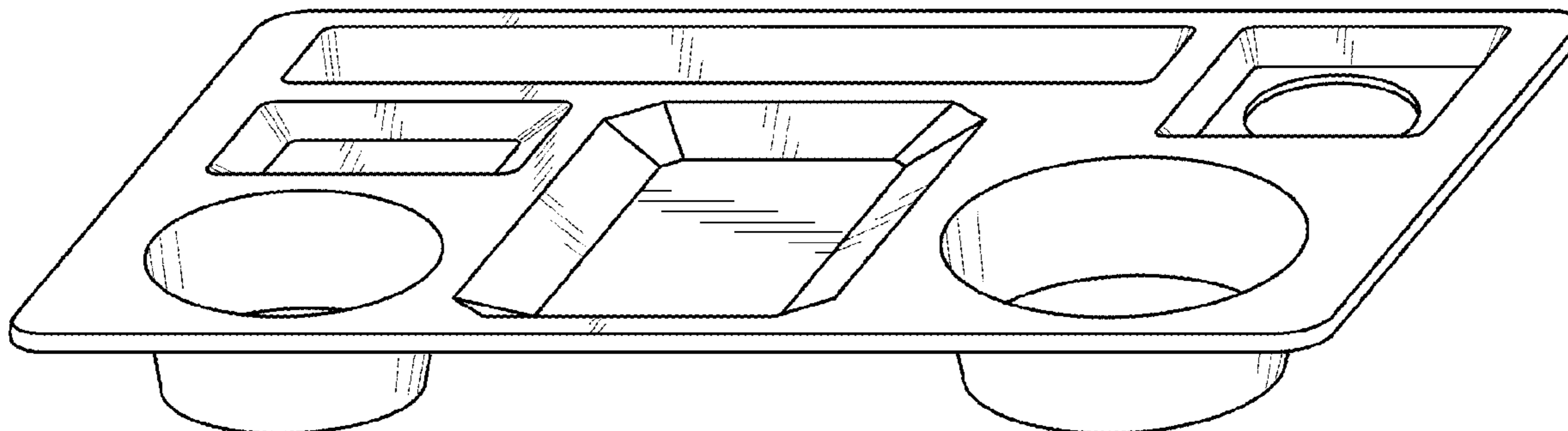
FIG. 1 is a perspective view of an embodiment of a food tray for encouraging healthful eating;  
FIG. 2 is a top view of the embodiment of the food tray shown in FIG. 1;  
FIG. 3 is a front side view of the embodiment of the food tray shown in FIG. 1;  
FIG. 4 is a rear side view of the embodiment of the food tray shown in FIG. 1;  
FIG. 5 is a left side view of the embodiment of the food tray shown in FIG. 1;  
FIG. 6 is a right side view of the embodiment of the food tray shown in FIG. 1; and,  
FIG. 7 is a bottom view of the embodiment of the food tray shown in FIG. 1.

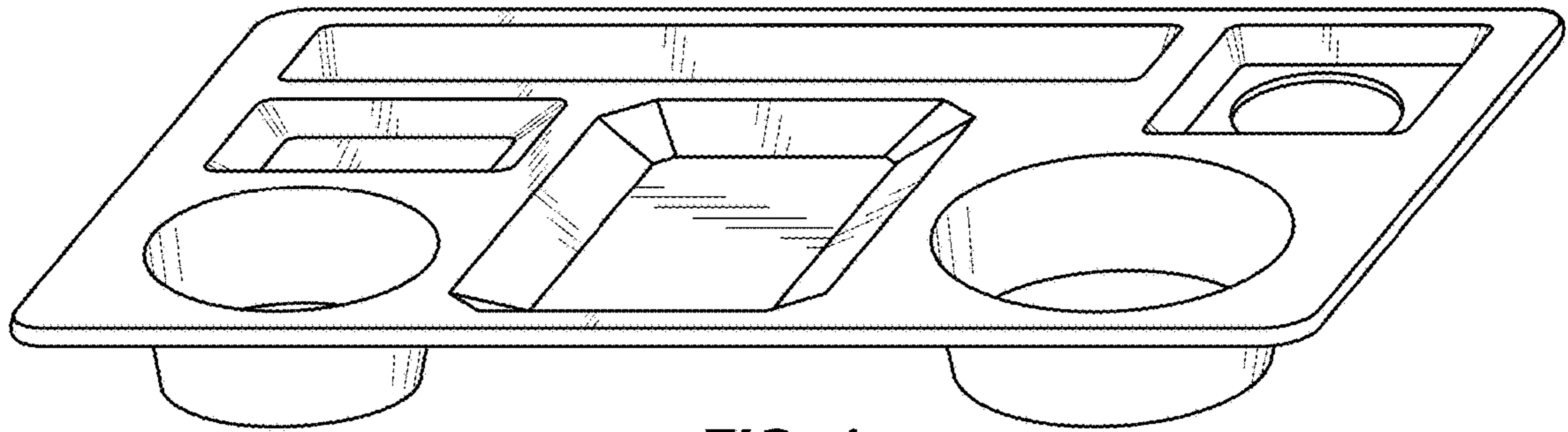
(56) **References Cited**

**U.S. PATENT DOCUMENTS**

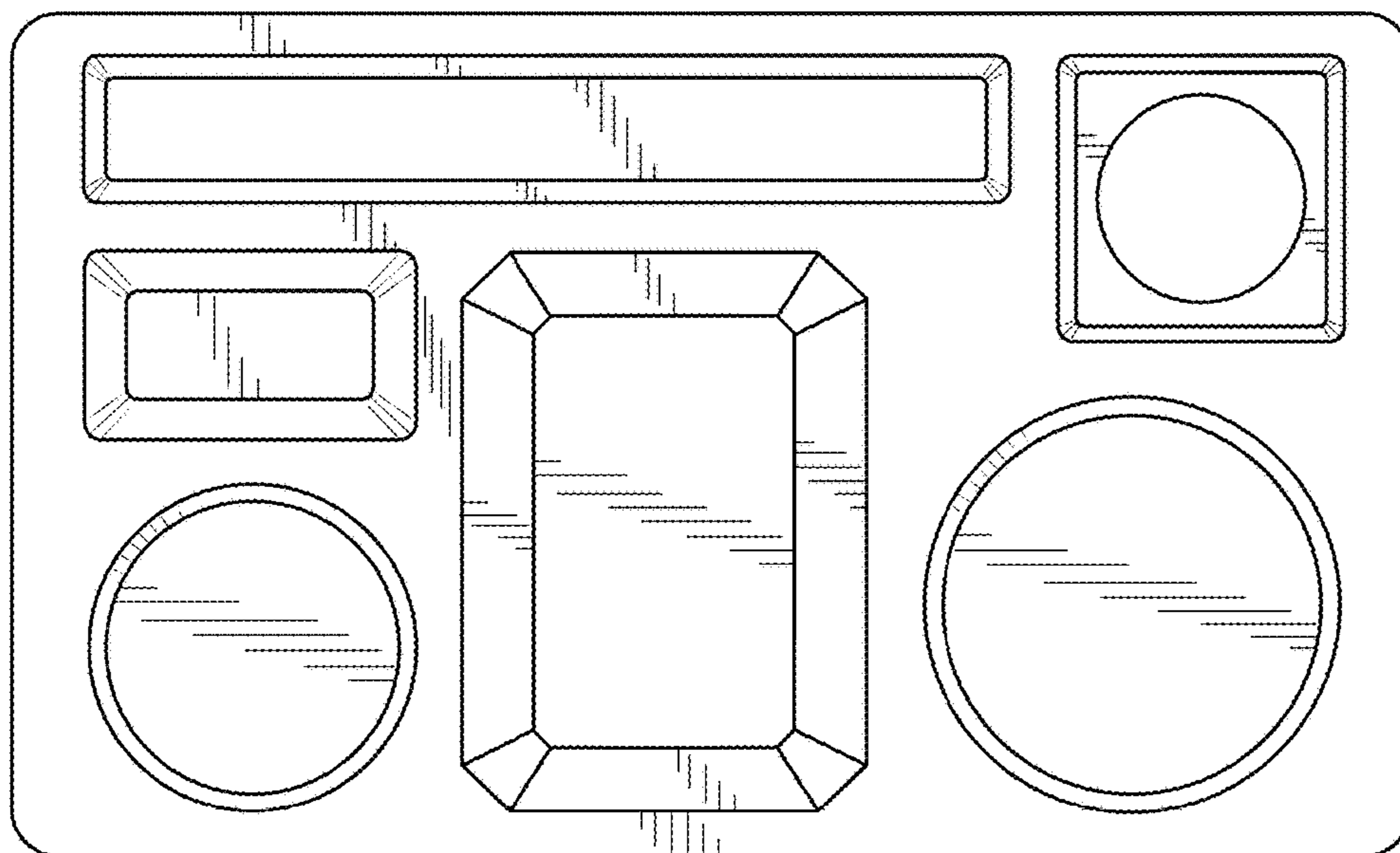
D255,310 S *	6/1980	Spencer	.....	D7/553.5
RE30,962 E *	6/1982	Bridges	.....	B65D 81/3823
				206/217
D271,932 S *	12/1983	Mosley	.....	D7/553.5
D280,060 S *	8/1985	Holz Kopf	.....	D7/553.2
D280,669 S *	9/1985	Hammeke	.....	D3/308
D292,768 S *	11/1987	Kearney	.....	D7/553.5
D316,359 S *	4/1991	Anderson	.....	D7/549
D338,135 S *	8/1993	Anderson	.....	D7/549
D355,333 S *	2/1995	Campbell	.....	D7/553.2

**1 Claim, 2 Drawing Sheets**

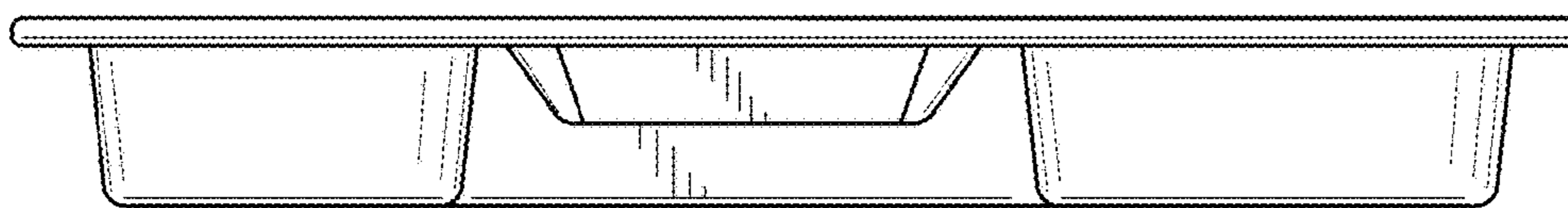




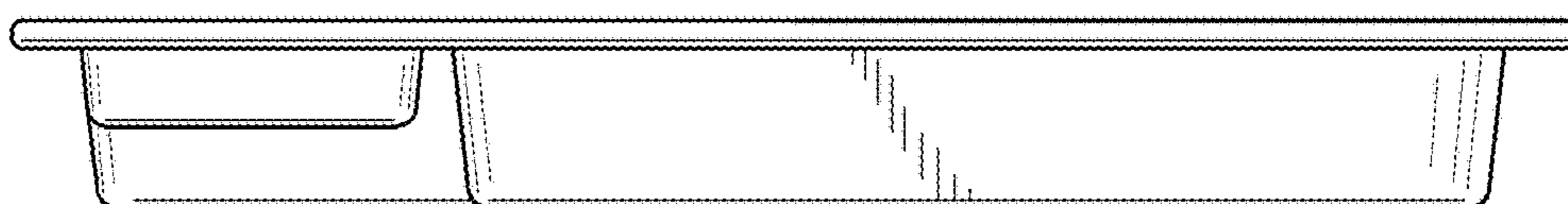
**FIG. 1**



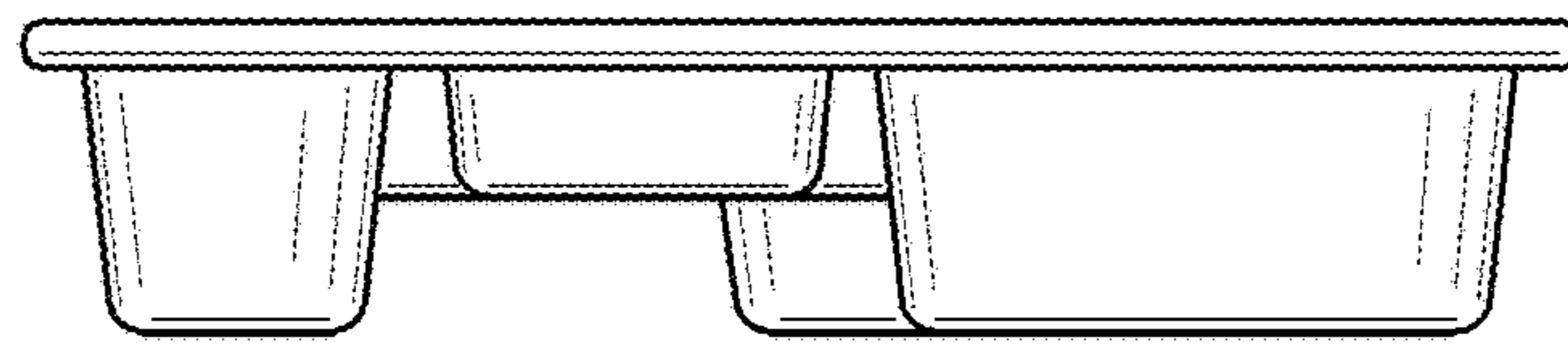
**FIG. 2**



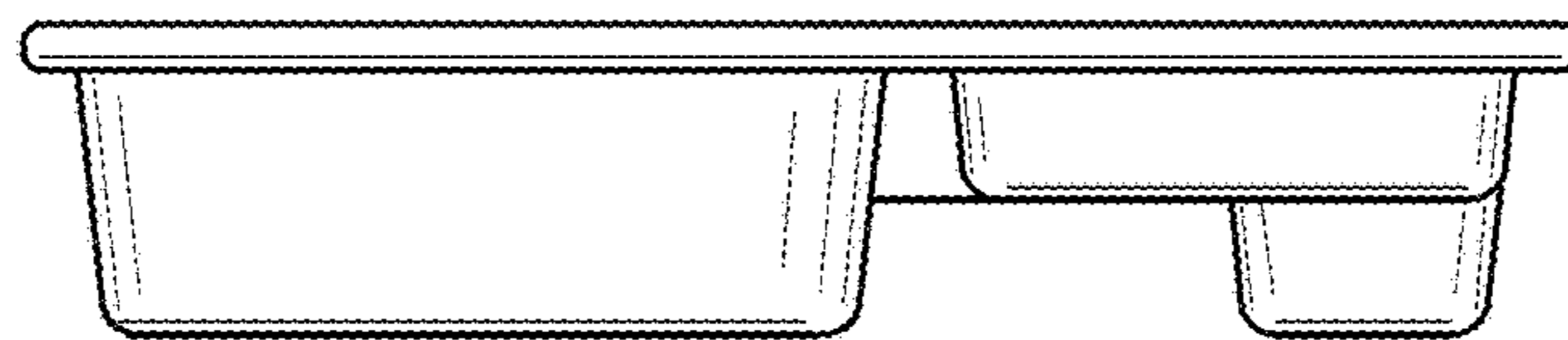
**FIG. 3**



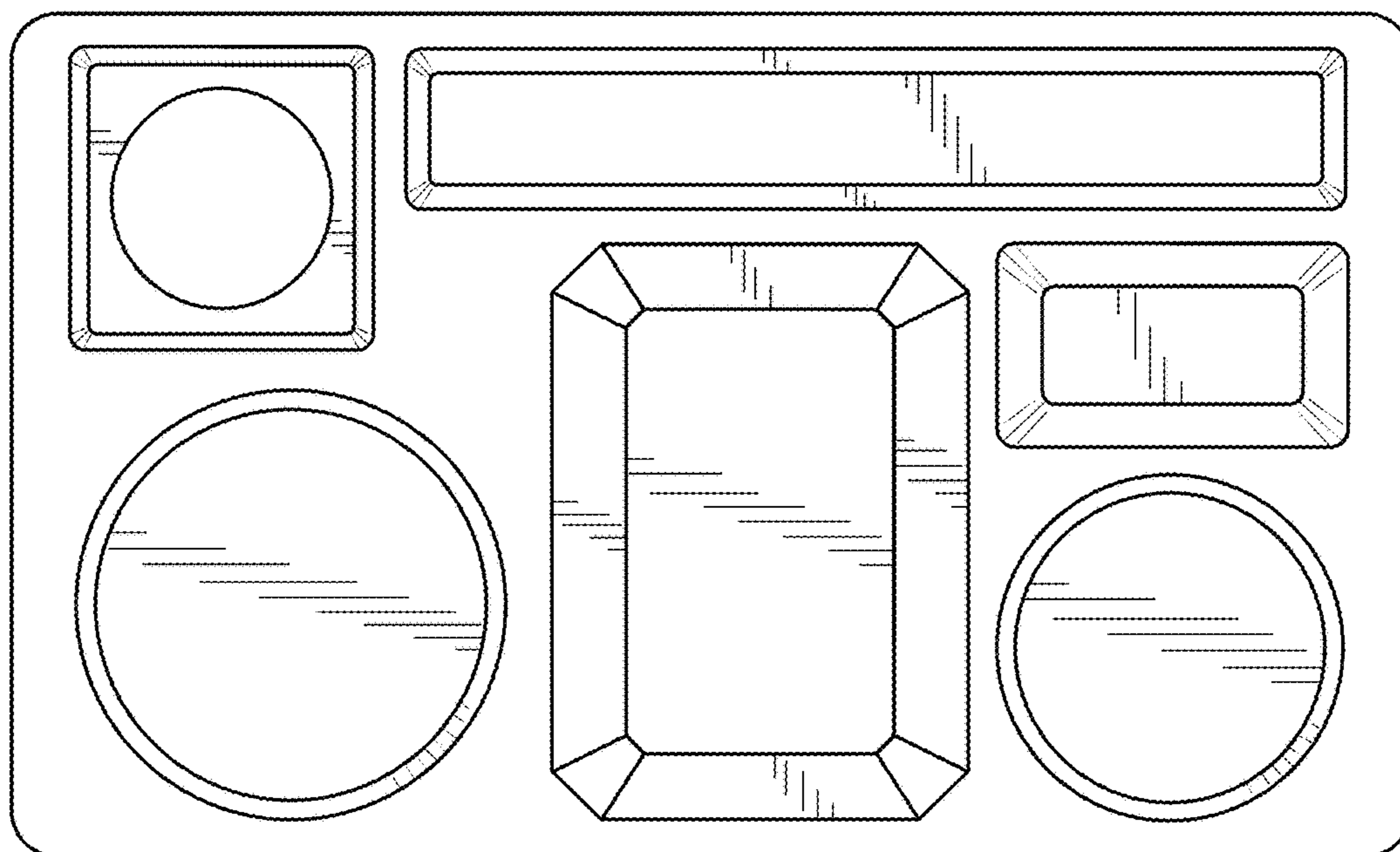
**FIG. 4**



**FIG. 5**



**FIG. 6**



**FIG. 7**