



US00D785405S

(12) **United States Design Patent**  
**Freeman**

(10) **Patent No.:** **US D785,405 S**

(45) **Date of Patent:** **\*\* May 2, 2017**

(54) **DRINKING MUG**

(71) Applicant: **CAMBRO MANUFACTURING COMPANY**, Huntington Beach, CA (US)

(72) Inventor: **Ernest F. Freeman**, Rancho Santa Margarita, CA (US)

(73) Assignee: **CAMBRO MANUFACTURING COMPANY**, Huntington Beach, CA (US)

(\*\*) Term: **15 Years**

(21) Appl. No.: **29/552,639**

(22) Filed: **Jan. 25, 2016**

(51) **LOC (10) Cl.** ..... **07-01**

(52) **U.S. Cl.**  
USPC ..... **D7/533**

(58) **Field of Classification Search**  
USPC ..... D7/536, 509, 510, 533, 537-538, 548, D7/602, 622, 300.1, 600; D9/716, 531  
CPC ..... B65D 85/8043; B65D 25/28; B65D 1/00; B65D 1/265; B67D 1/0801; A47G 19/22; A47G 19/2205; A47G 19/2227; A47G 19/2288; A47G 19/2272; A47G 19/2266  
See application file for complete search history.

(56) **References Cited**

**U.S. PATENT DOCUMENTS**

D93,296 S *	9/1934	Spence	.....	D7/531
D220,845 S *	6/1971	Mascetti	.....	D7/533
D364,112 S *	11/1995	Dickinson	.....	D11/152
D382,174 S *	8/1997	Grimm	.....	D7/510
D384,246 S *	9/1997	McKnight	.....	D7/509
D406,985 S *	3/1999	Trombly	.....	D7/533
D458,082 S	6/2002	Gluck		
D462,575 S	9/2002	Gluck		
D497,515 S *	10/2004	Bydalek	.....	D7/394
D526,847 S	8/2006	Freeman		
D536,930 S	2/2007	Li		
D552,932 S *	10/2007	Carlson	.....	D7/509
D559,039 S	1/2008	Freeman		

D559,040 S 1/2008 Freeman  
D561,537 S 2/2008 Schosser  
D587,527 S \* 3/2009 Wolhendler ..... D7/509  
(Continued)

**OTHER PUBLICATIONS**

Cambro Mug, The Shoreline Collection, Posted at Cambro.Com, Posting Date Not Given, Site Visited Oct. 21, 2016, <[https://www.cambro.com/Products/Meal\\_Service/10737419939/1033.aspx](https://www.cambro.com/Products/Meal_Service/10737419939/1033.aspx)>.\*  
Mug, Square Base Mug, 14 Oz. 4" Tall, Posted At Imprintitems.Com, Posted on Oct. 21, 2016, Site Visited Oct. 21, 2016, <<https://www.imprintitems.com/custom/9774766>>.\*  
Mug With Thumb Rest, 100% Solid Copper Mug by Drinkware Essentials 16 Oz. Hammered Moscow Mule Mugs With Thumb Rest Keep Beveraes Ice Cold, Posted at Amazon.Com, Posted on Jun. 6, 2016, Site Visited Oct. 21, 2016, <[https://www.amazon.com/Drinkware-Essentials-Hammered-Beverages-Cocktails/dp/B019ANBO3O/ref=sr\\_1\\_18?ie=UTF8&qid=1477072653&sr=8-18-spons&key](https://www.amazon.com/Drinkware-Essentials-Hammered-Beverages-Cocktails/dp/B019ANBO3O/ref=sr_1_18?ie=UTF8&qid=1477072653&sr=8-18-spons&key)>.\*

(Continued)

*Primary Examiner* — Barbara Fox  
*Assistant Examiner* — Messina L Smith  
(74) *Attorney, Agent, or Firm* — George F. Bethel

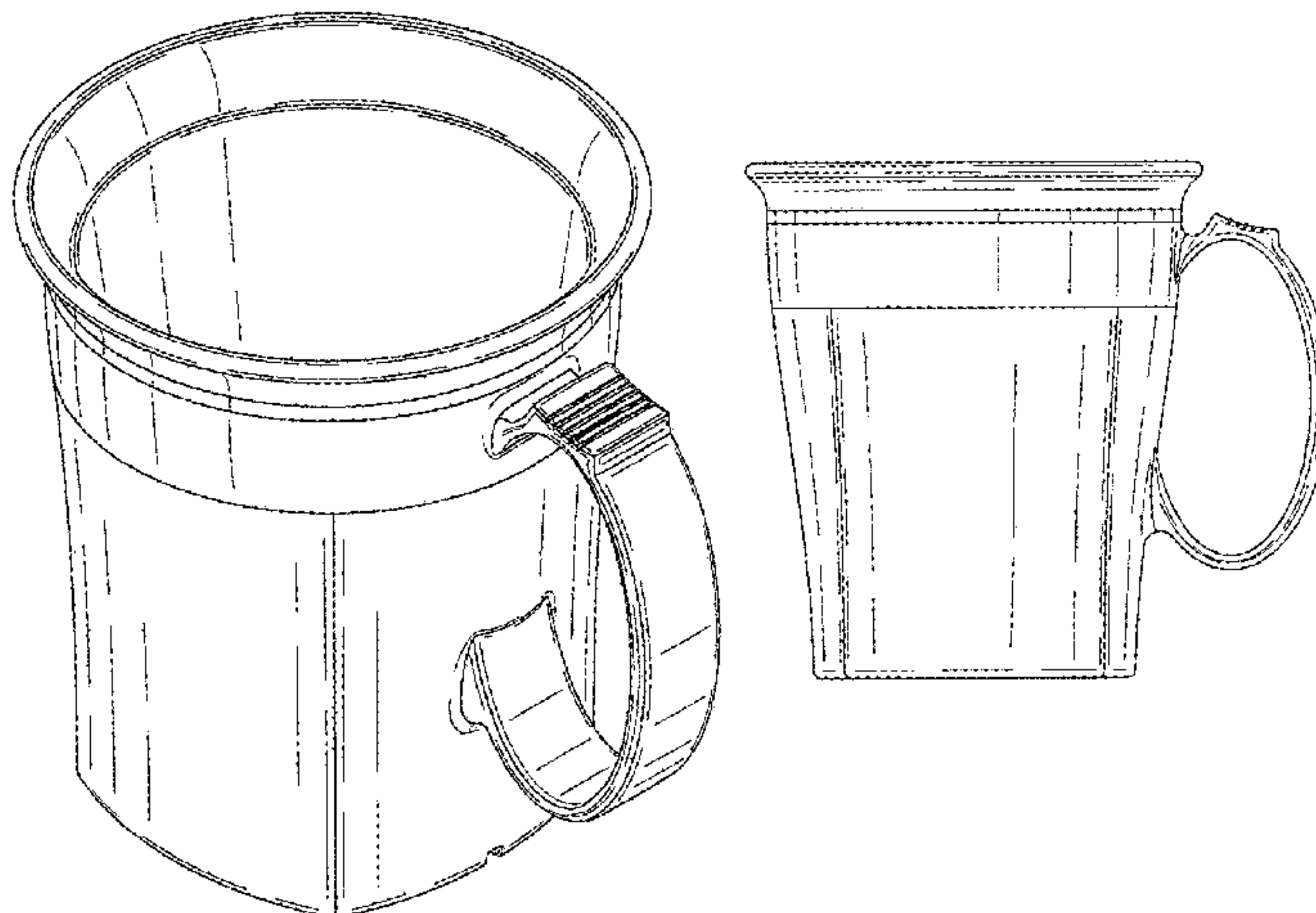
(57) **CLAIM**

I claim the ornamental design for a drinking mug, as shown and described.

**DESCRIPTION**

FIG. 1 is a right side perspective view of the first embodiment of a drinking mug showing my new design;  
FIG. 2 is a right side elevation view thereof;  
FIG. 3 is a front elevation view thereof;  
FIG. 4 is a top plan view thereof;  
FIG. 5 is a bottom plan view thereof;  
FIG. 6 is a left side elevation view thereof;  
FIG. 7 is a rear elevation view thereof;  
FIG. 8 is a right side perspective view of the second embodiment of a drinking mug showing my new design;  
FIG. 9 is a right side elevation view thereof;  
FIG. 10 if a front elevation view thereof;  
FIG. 11 is a top plan view thereof;  
FIG. 12 is a bottom plan view thereof;  
FIG. 13 is a left side elevation view thereof; and,  
FIG. 14 is a rear elevation view thereof.

**1 Claim, 8 Drawing Sheets**



(56)

**References Cited**

U.S. PATENT DOCUMENTS

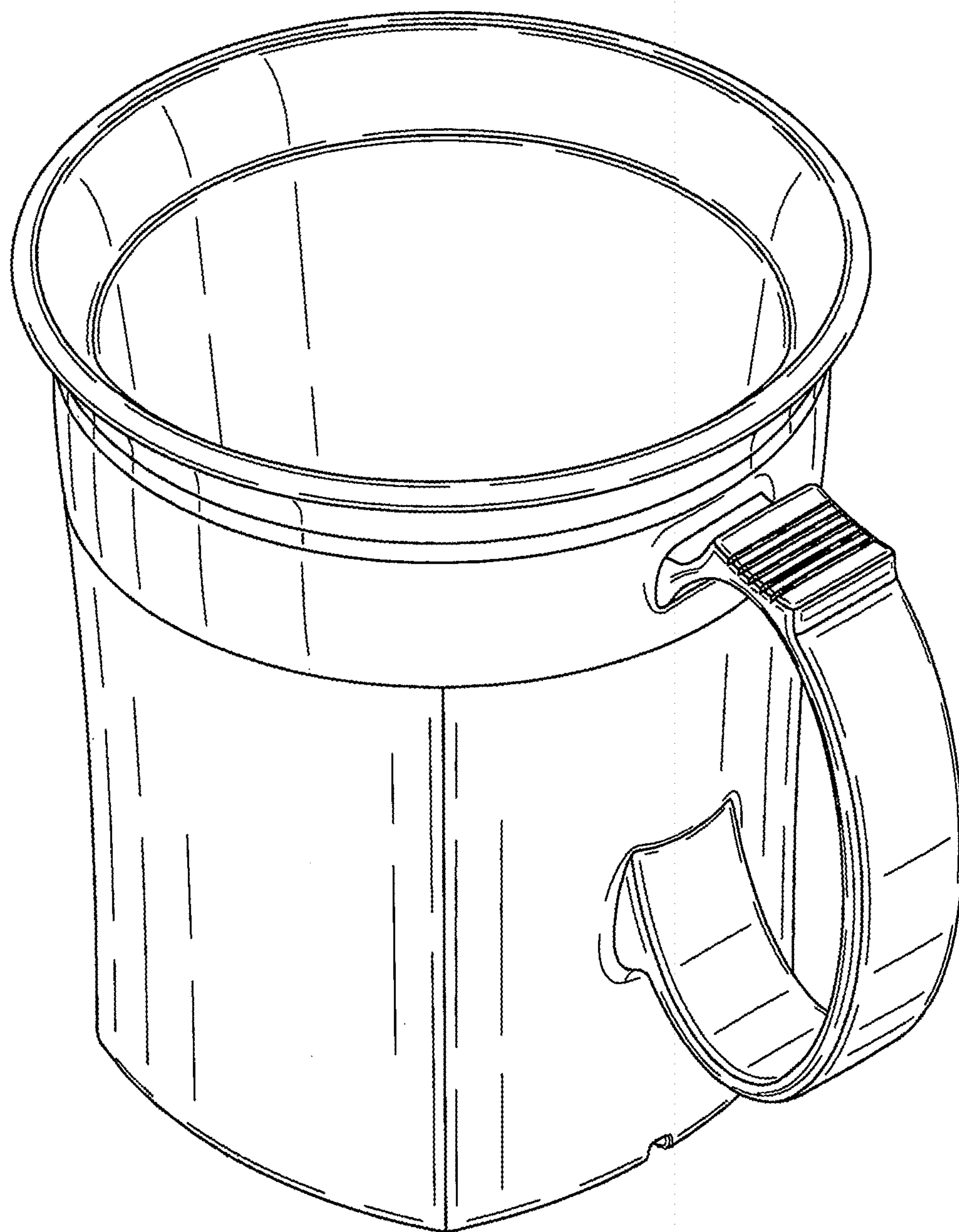
D623,900	S	9/2010	Wolhendler	
D651,452	S *	1/2012	Hillebrenner .....	D7/396.2
D682,088	S *	5/2013	de Urquijo Carmona ....	D9/428
D682,089	S	5/2013	Bourguignon	
D688,098	S	8/2013	Miller	
D688,124	S	8/2013	Crosby	
D704,592	S *	5/2014	Hung .....	D11/152
D717,201	S *	11/2014	Thuma .....	D11/152
D732,343	S *	6/2015	Romley .....	D7/532
D750,997	S *	3/2016	Pettigrew .....	D11/155
D764,234	S *	8/2016	Lee .....	D7/509
D766,079	S *	9/2016	Shiffer .....	D9/428
2012/0205385	A1 *	8/2012	Crosby .....	B65D 1/26 220/600

OTHER PUBLICATIONS

Mug With Square Base, Fiesta 13-Ounce Square Mug, Ivory, Posted at Amazon.com, Posted on May 5, 2003, Site Visited Oct. 21, 2016, <[https://www.amazon.com/Fiesta-13-Ounce-Square-Mug-Ivory/dp/B001PTG84C/ref=sr\\_1\\_5?ie=UTF8&qid=1477072841&sr=8-5&keywords=coffee+mug+square](https://www.amazon.com/Fiesta-13-Ounce-Square-Mug-Ivory/dp/B001PTG84C/ref=sr_1_5?ie=UTF8&qid=1477072841&sr=8-5&keywords=coffee+mug+square)>.\*

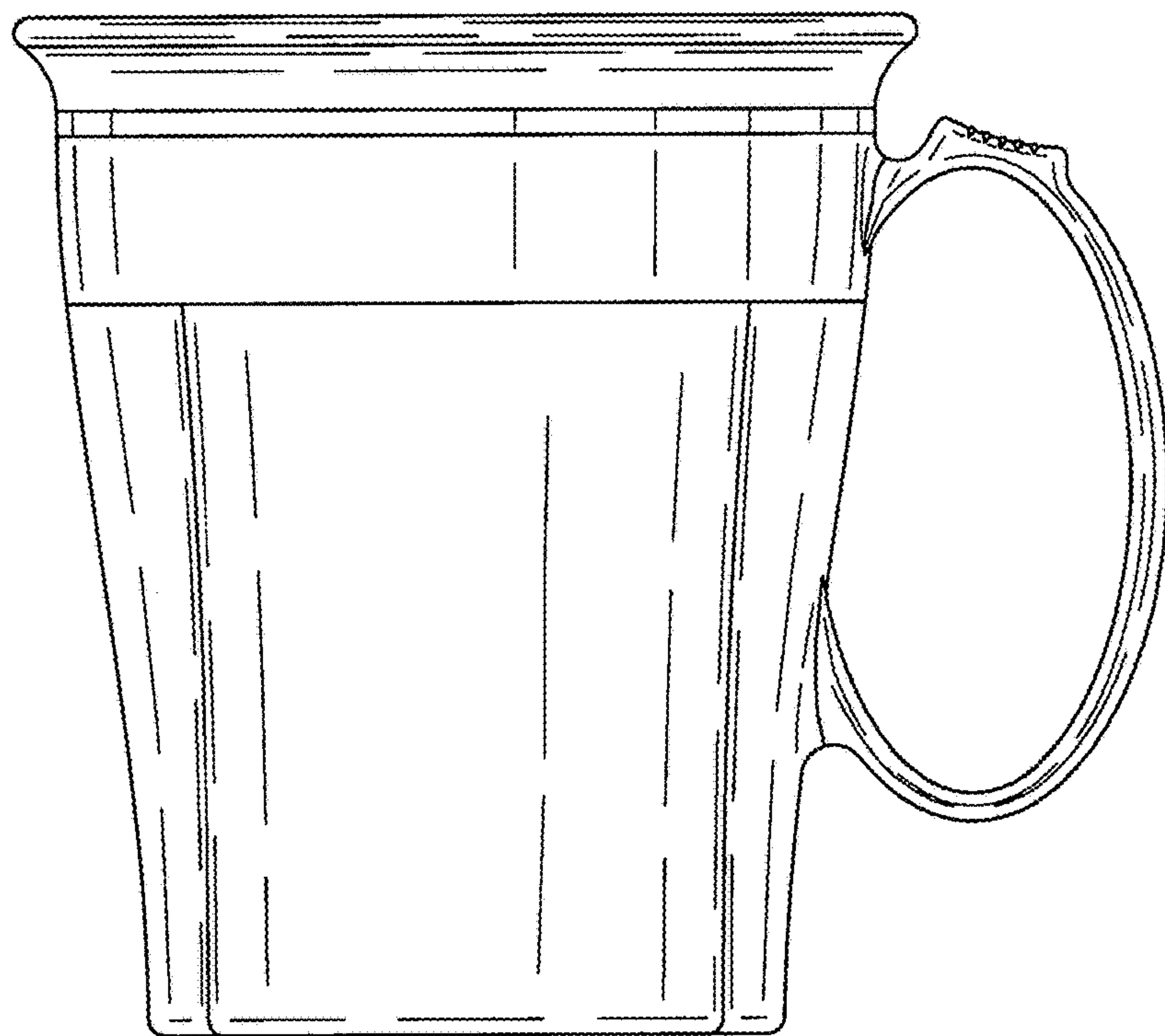
Mug With Square Base, 15 Oz. Square Black Soft Bottom Mug—Matte/Gloss, Posted At Promo-Wholesale.com, No Posting Date Given, © 2009-2015, Site Visited Oct. 21, 2016, <<http://www.promo-wholesale.com/china/Mugs/3/15-Oz--Square-Black-Soft-Bottom-Mug---Matte--Gloss-55583.htm>>.\*

\* cited by examiner

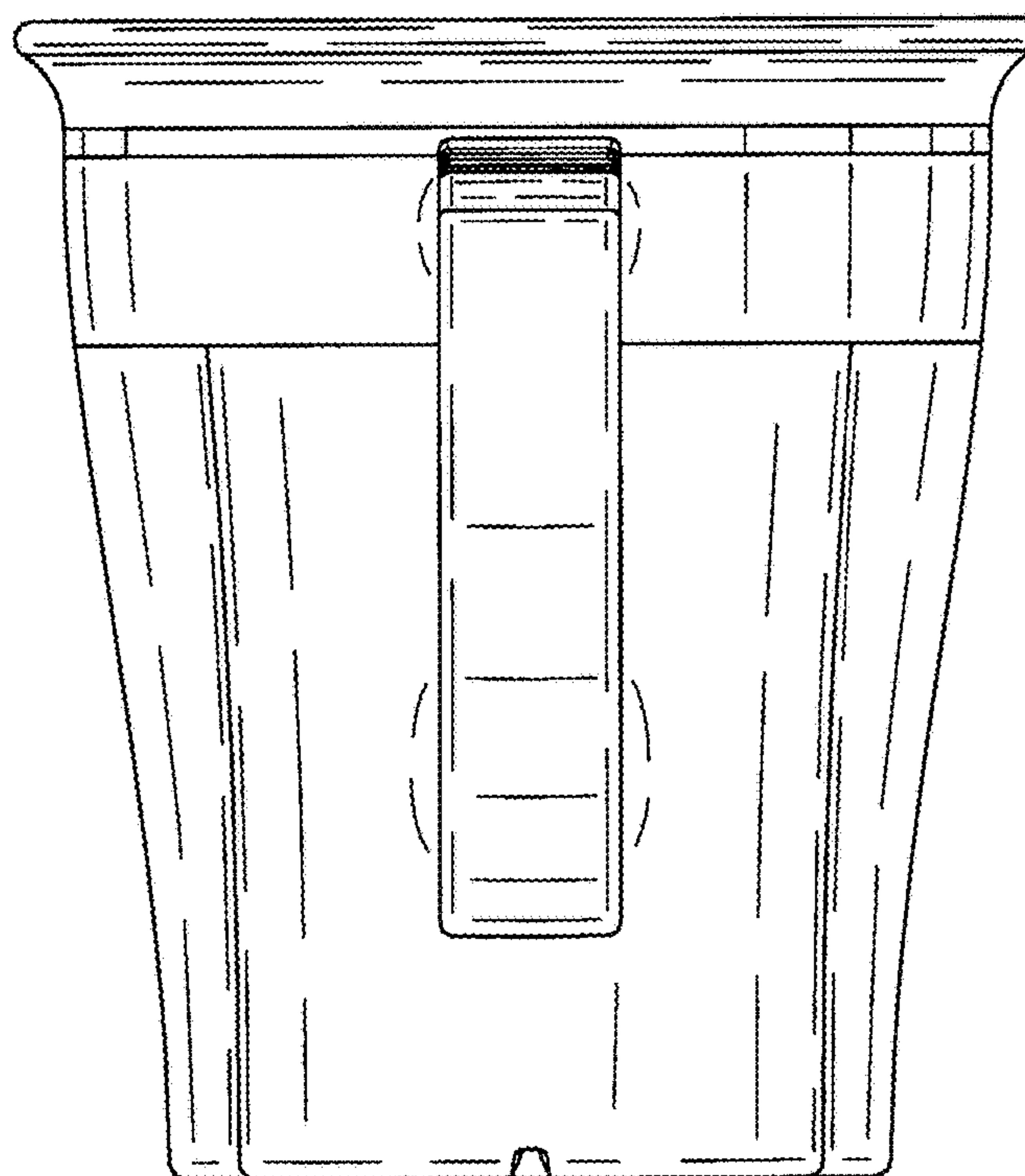


**FIG. 1**

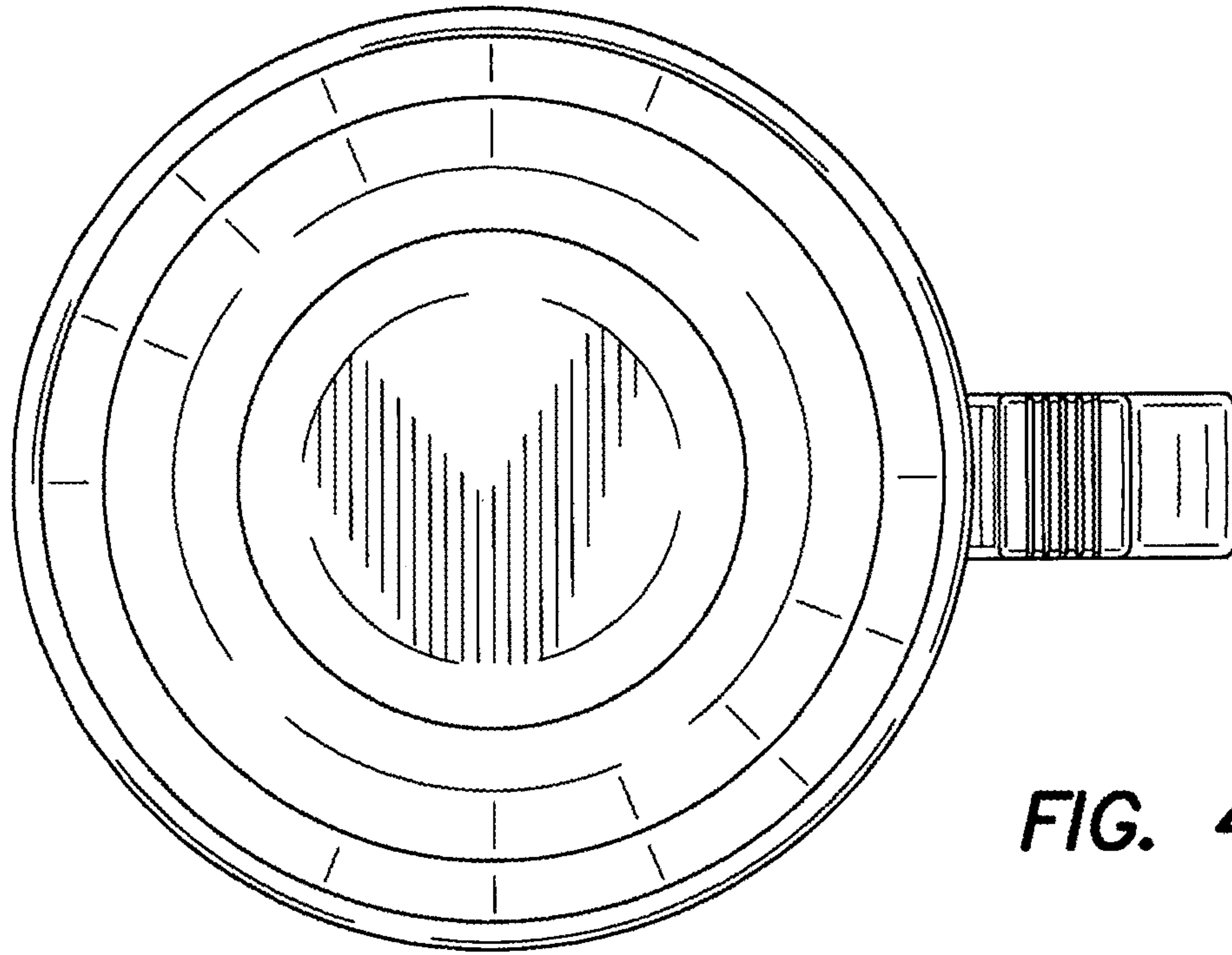




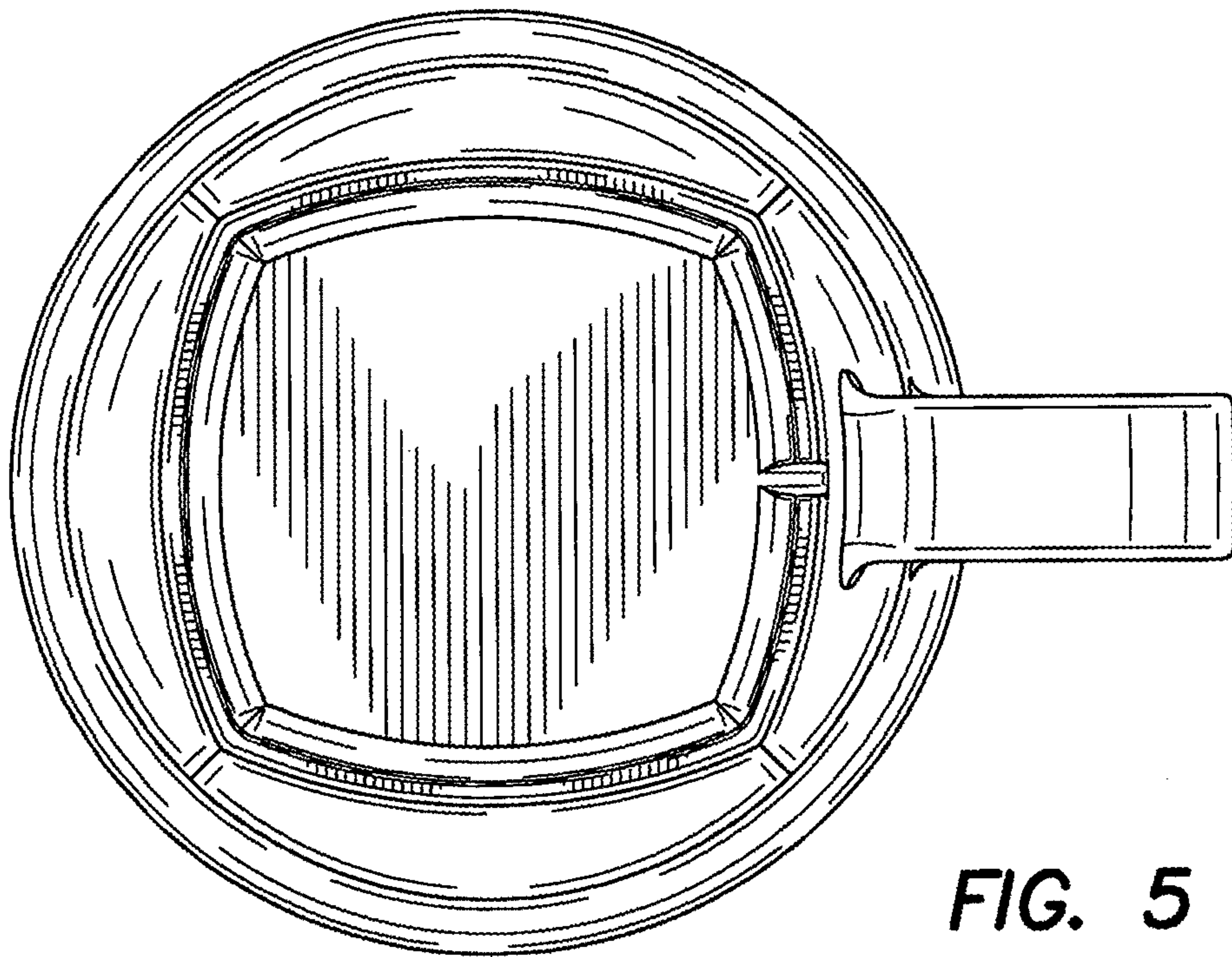
**FIG. 2**



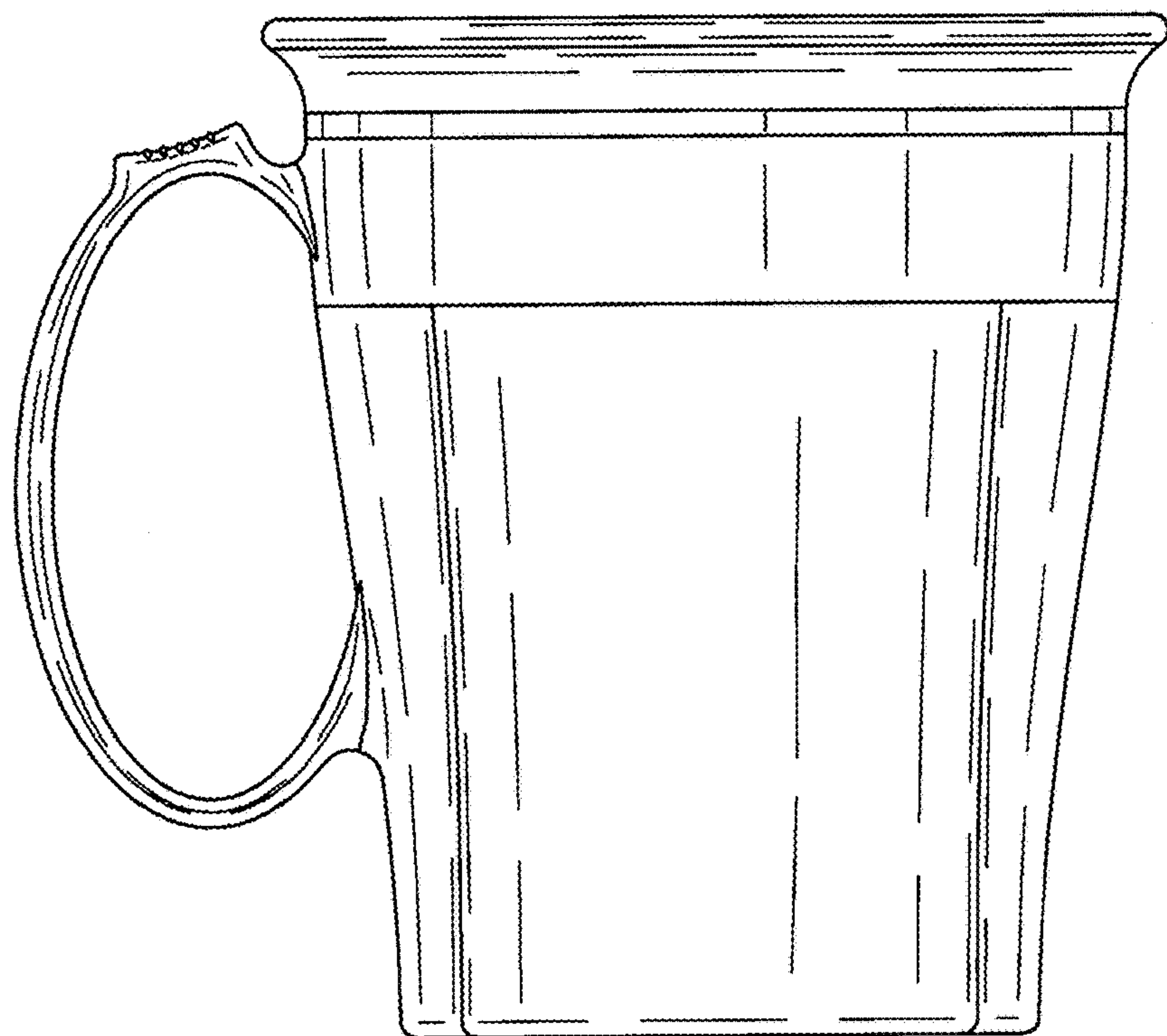
**FIG. 3**



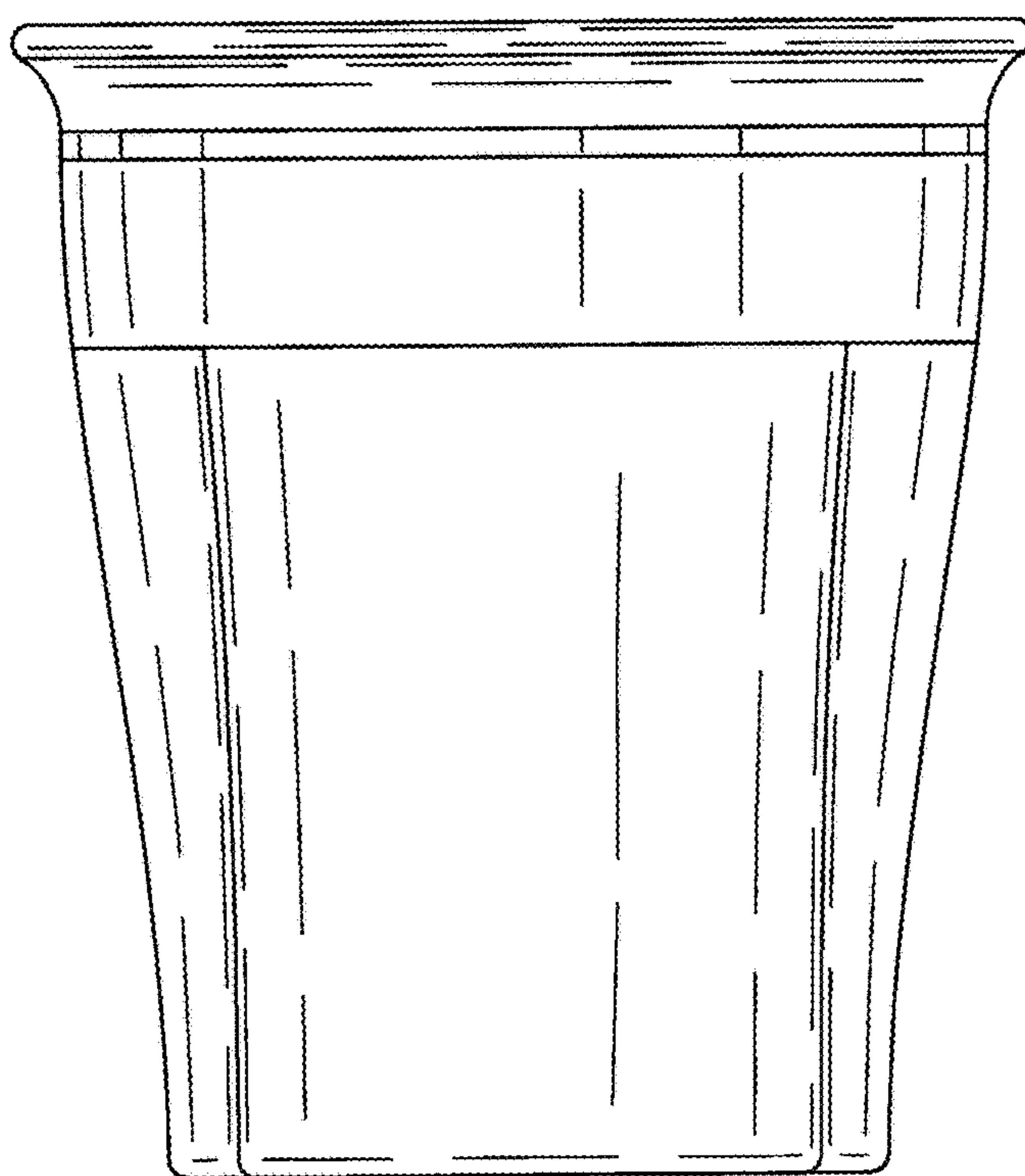
**FIG. 4**



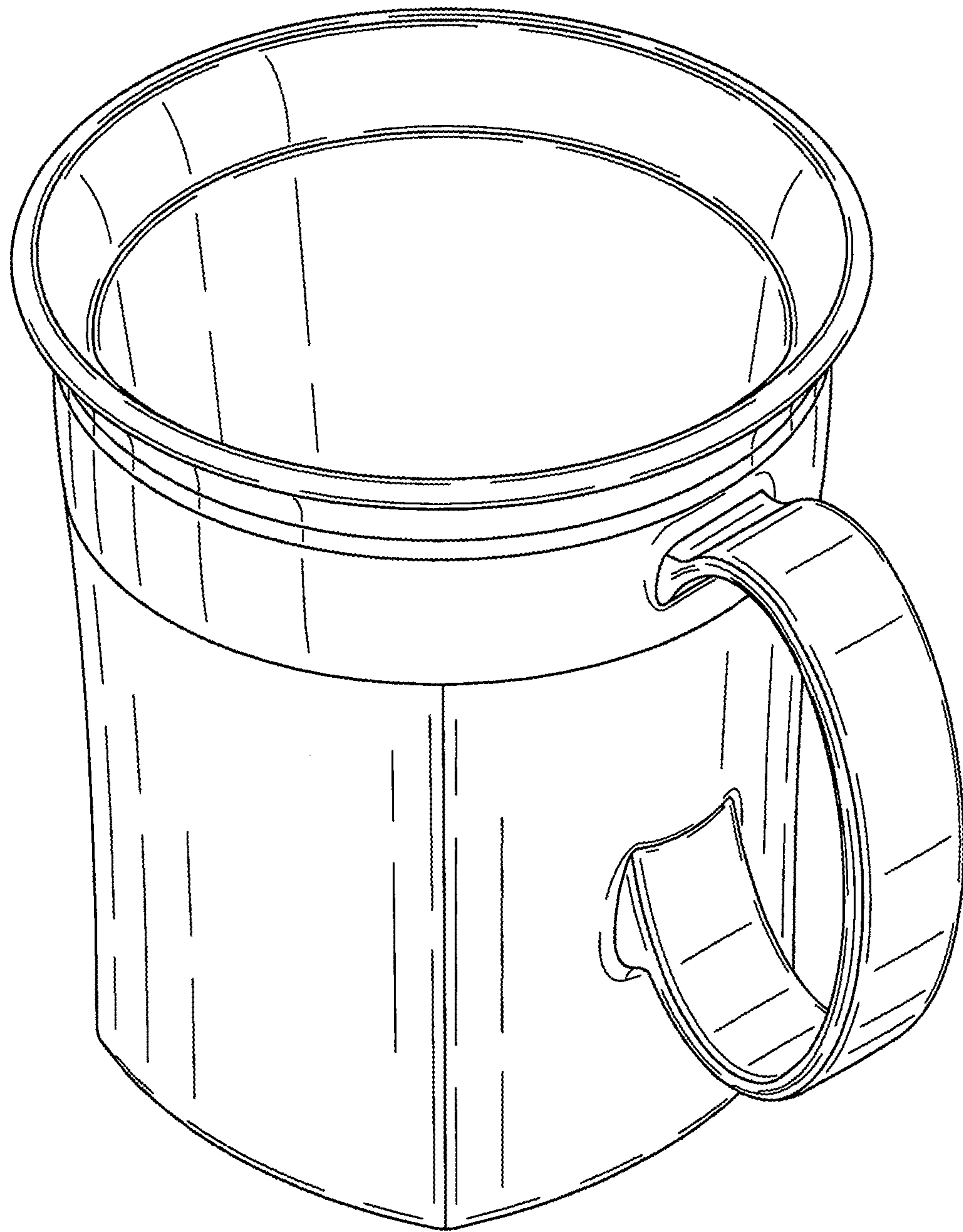
**FIG. 5**



**FIG. 6**

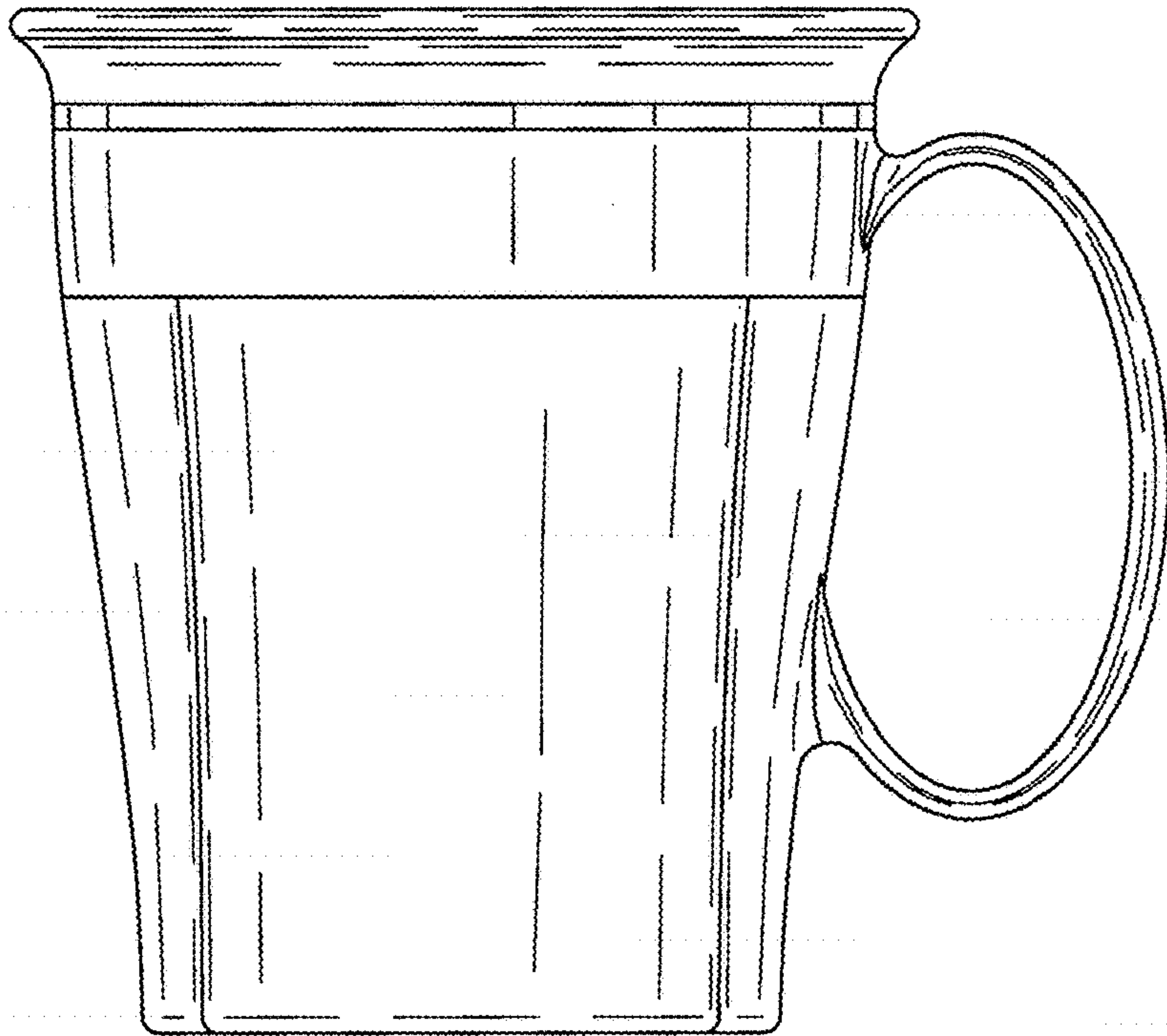


**FIG. 7**

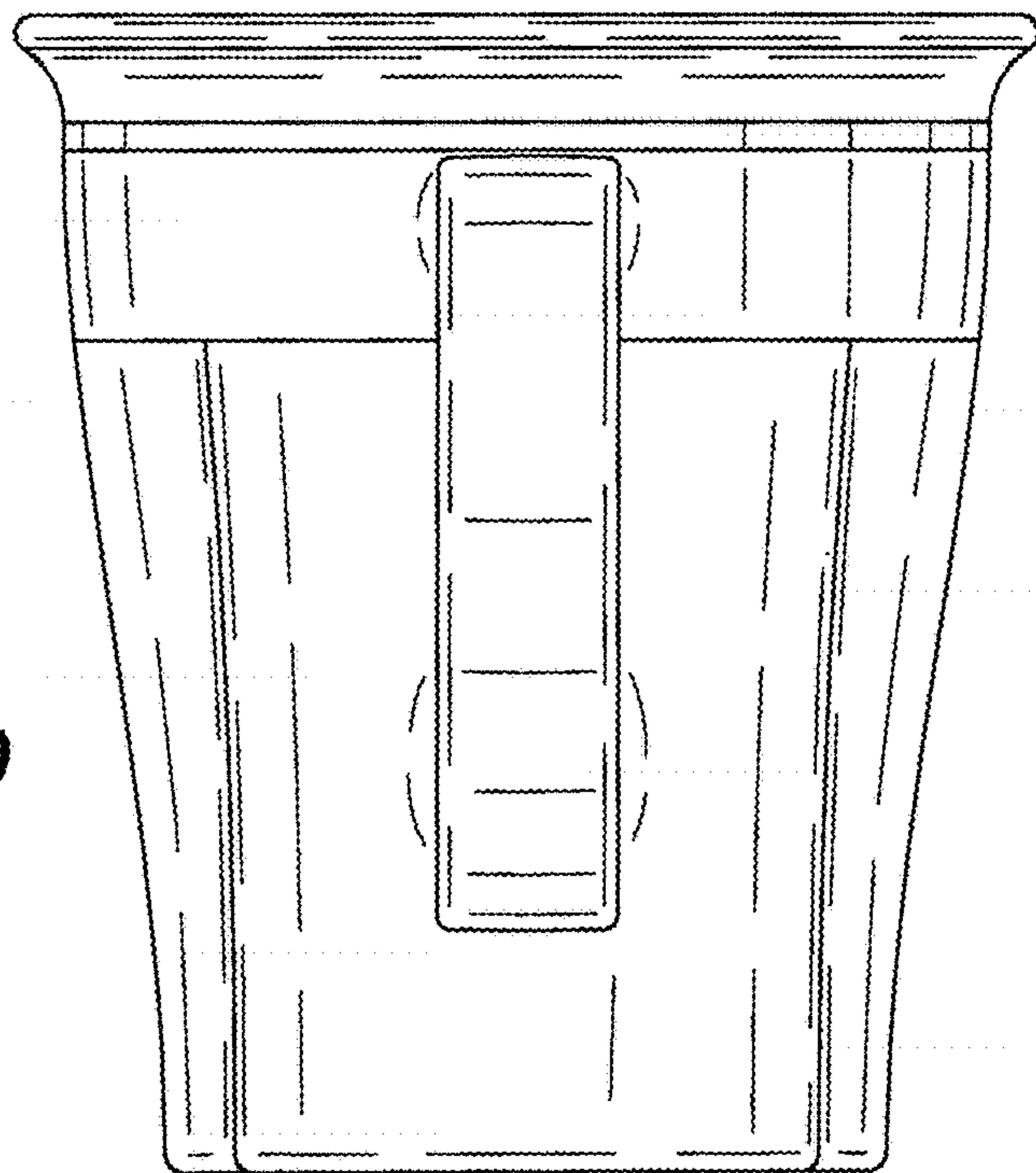


**FIG. 8**



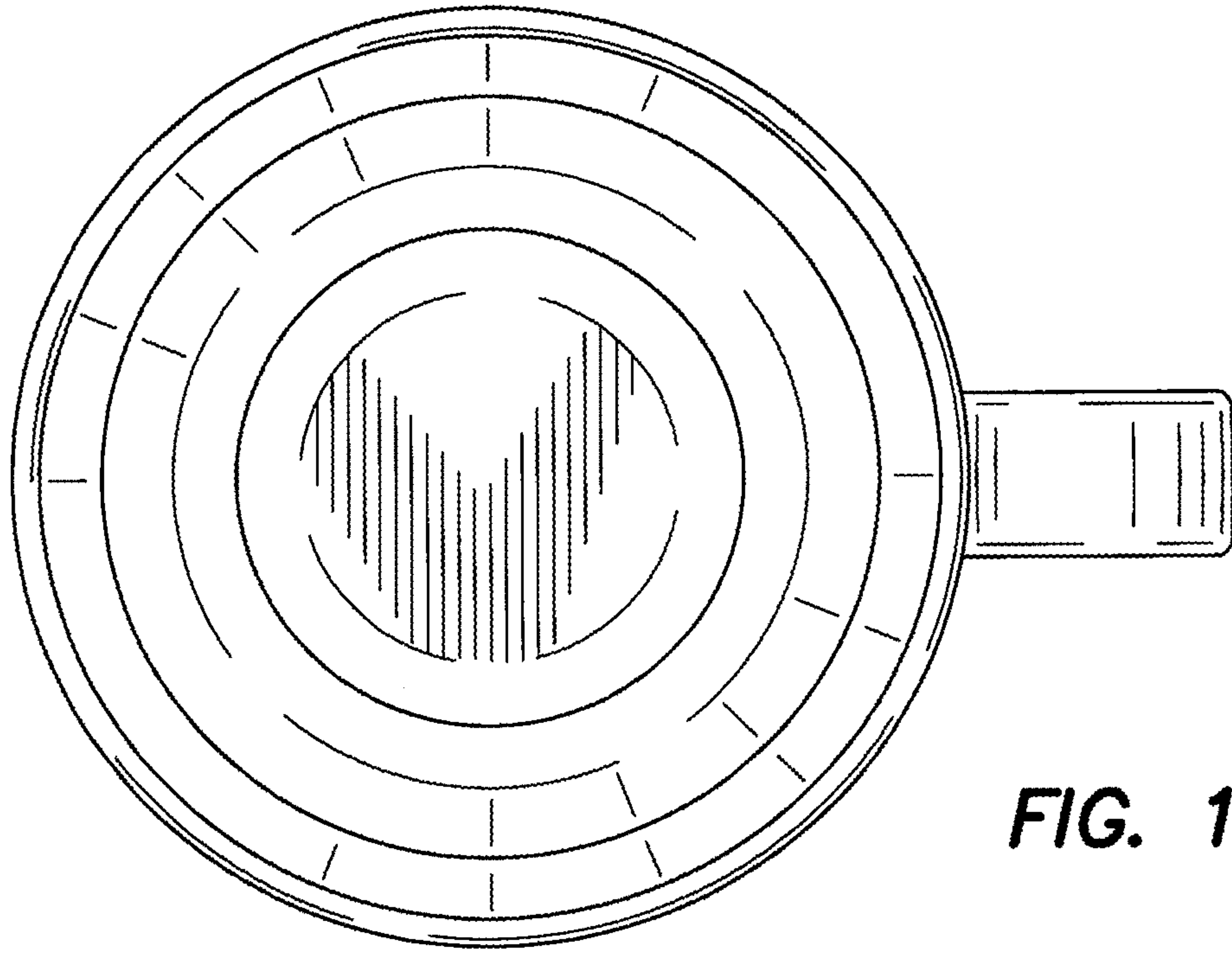


**FIG. 9**

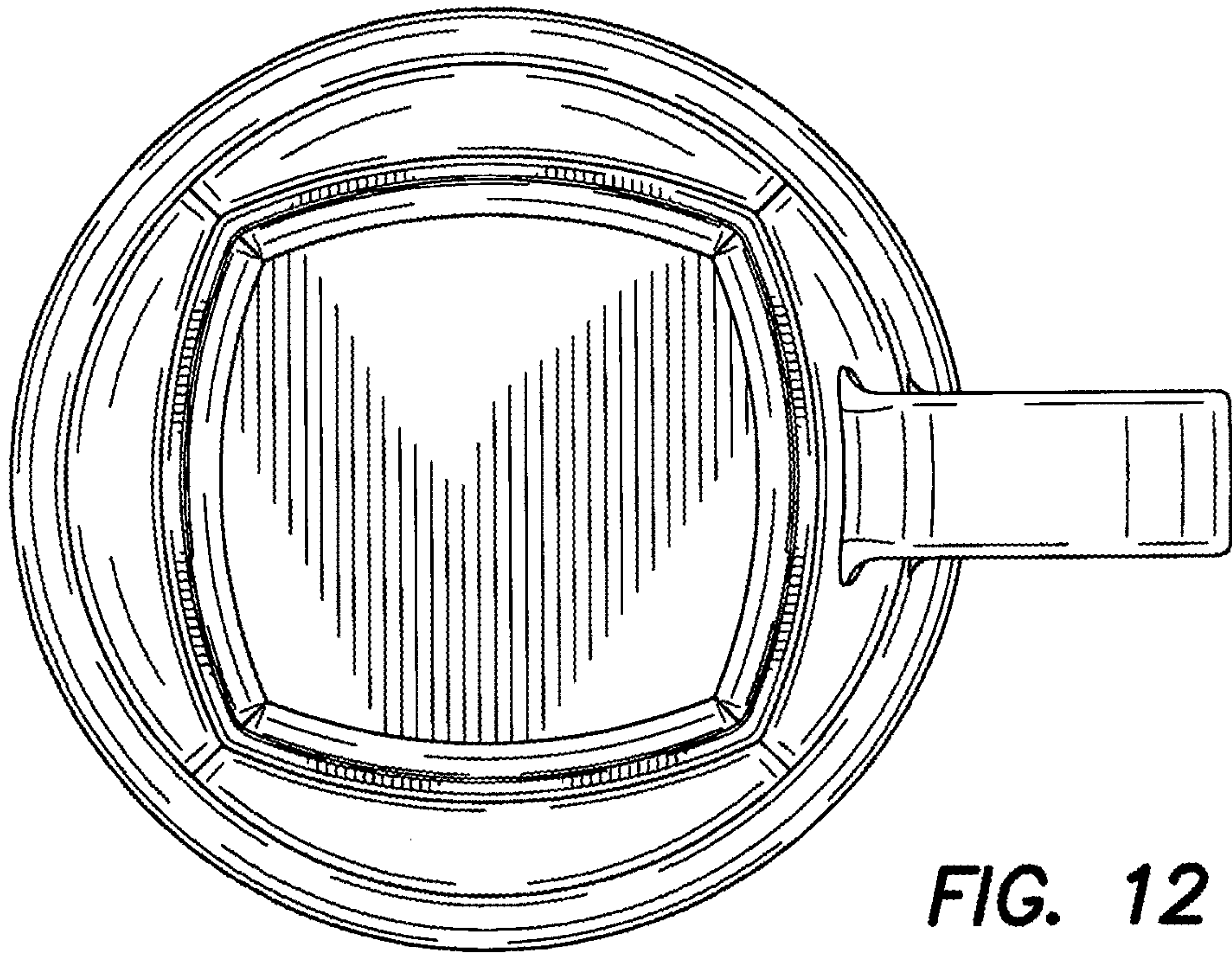


**FIG. 10**





**FIG. 11**



**FIG. 12**

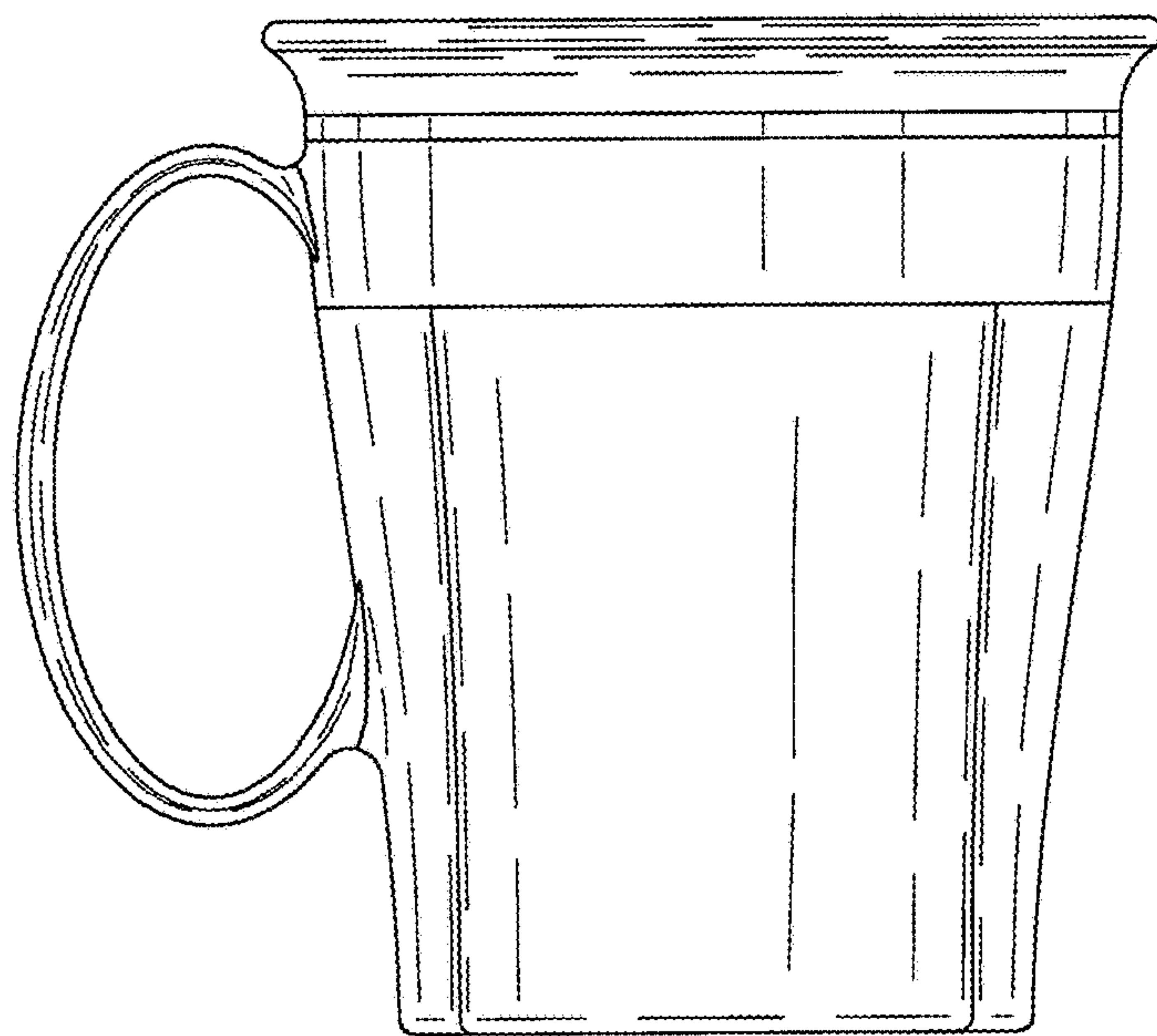


FIG. 13

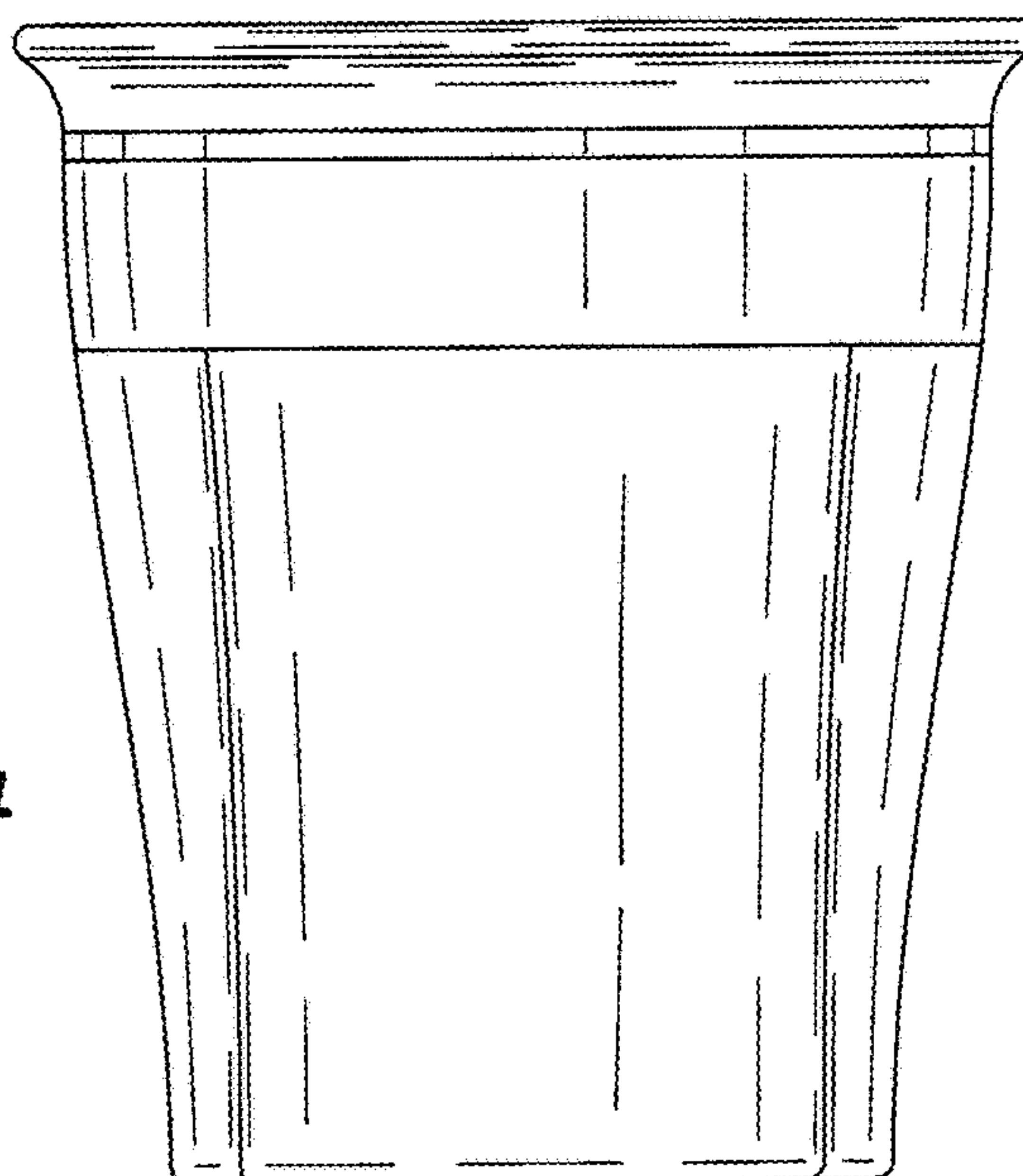


FIG. 14