



US00D785402S

(12) **United States Design Patent** (10) **Patent No.:** **US D785,402 S**  
**Shirley et al.** (45) **Date of Patent:** **\*\* May 2, 2017**

(54) **CAP FOR BOTTLE**

(71) Applicant: **Dart Industries Inc.**, Orlando, FL (US)

(72) Inventors: **Nathan E. Shirley**, Orlando, FL (US);  
**Jan-Hendrik de Groot**e, Aalst (BE)

(73) Assignee: **Dart Industries Inc.**, Orlando, FL (US)

(\*\*) Term: **15 Years**

(21) Appl. No.: **29/562,832**

(22) Filed: **Apr. 29, 2016**

**Related U.S. Application Data**

(62) Division of application No. 29/531,058, filed on Jun. 23, 2015, now Pat. No. Des. 763,622.

(51) **LOC (10) Cl.** ..... **07-01**

(52) **U.S. Cl.**

USPC ..... **D7/392.1**; D7/396.2; D9/443; D9/449

(58) **Field of Classification Search**

USPC ..... D7/507, 510, 511, 523, 531, 532, 300.1,  
D7/591, 300.2, 608, 629, 387, 392.1,  
D7/396.2, 396.3, 665; D9/503, 435, 436,  
D9/440, 447, 449, 905, 454, 427, 446,  
D9/443, 442, 434; 220/200, 703, 705,  
220/592.16, 596.17, 495.03, 62.12;  
215/45, 206, 224, 240, 305; 206/154,  
206/156

CPC ..... A47G 19/2211; A47G 19/2266; A47G  
19/22; A45F 3/16; A37G 19/2272; B65D  
51/18; B65D 43/02; B65D 47/08; B65D  
41/56

See application file for complete search history.

(56) **References Cited**

**U.S. PATENT DOCUMENTS**

D606,862 S *	12/2009	Mora-Hernandez	.....	D9/449
D623,473 S *	9/2010	Chen	.....	D7/510
D667,269 S *	9/2012	Pallotto	.....	D7/510
D673,044 S *	12/2012	Wisniewski	.....	D9/443
D758,189 S *	6/2016	Roth	.....	D7/392.1
D761,058 S *	7/2016	Ou	.....	D7/510
D763,622 S *	8/2016	Shirley	.....	D7/511

\* cited by examiner

*Primary Examiner* — Marianne Pandozzi

*Assistant Examiner* — Jae Liang

(74) *Attorney, Agent, or Firm* — Taylor J. Ross

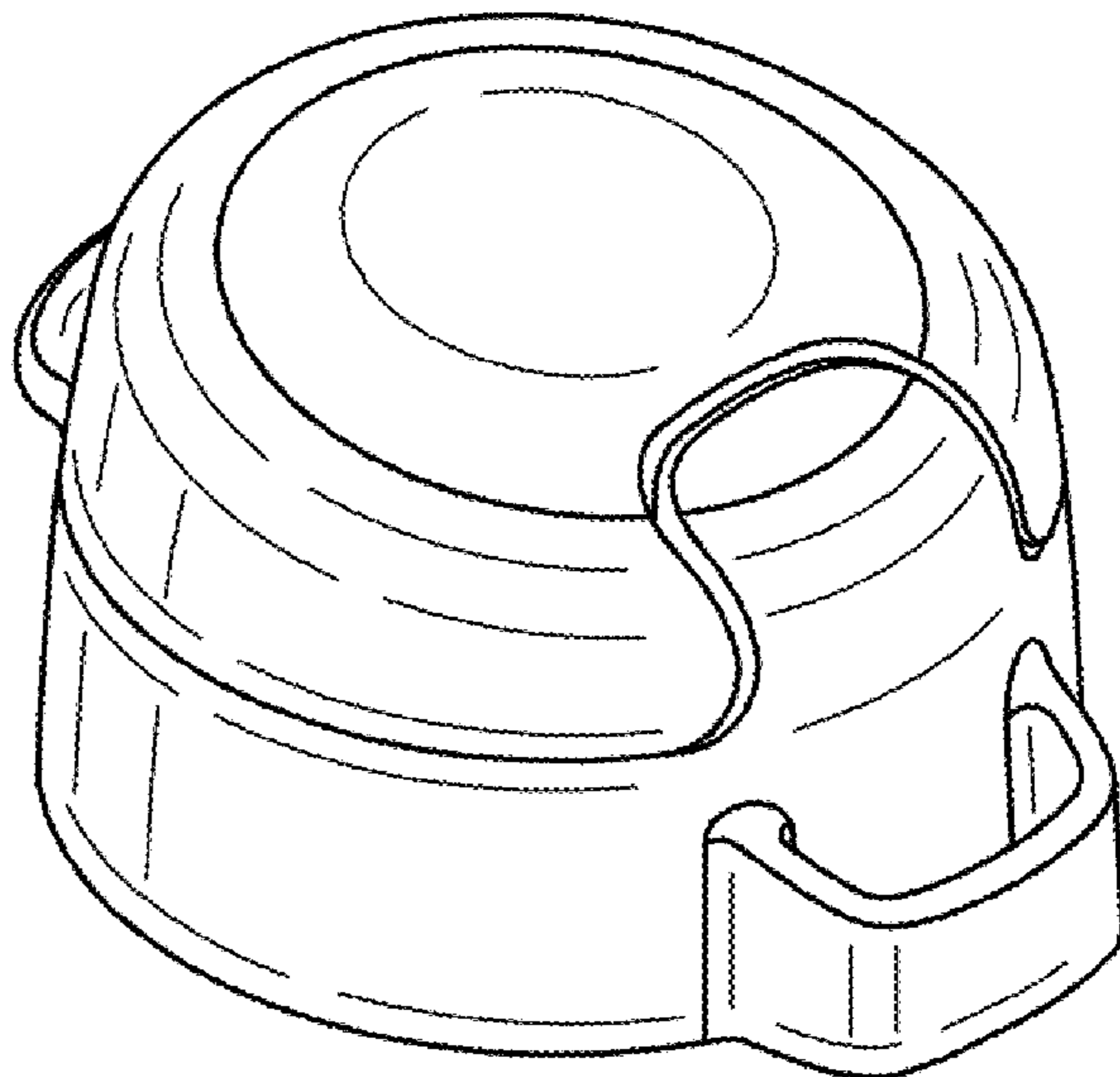
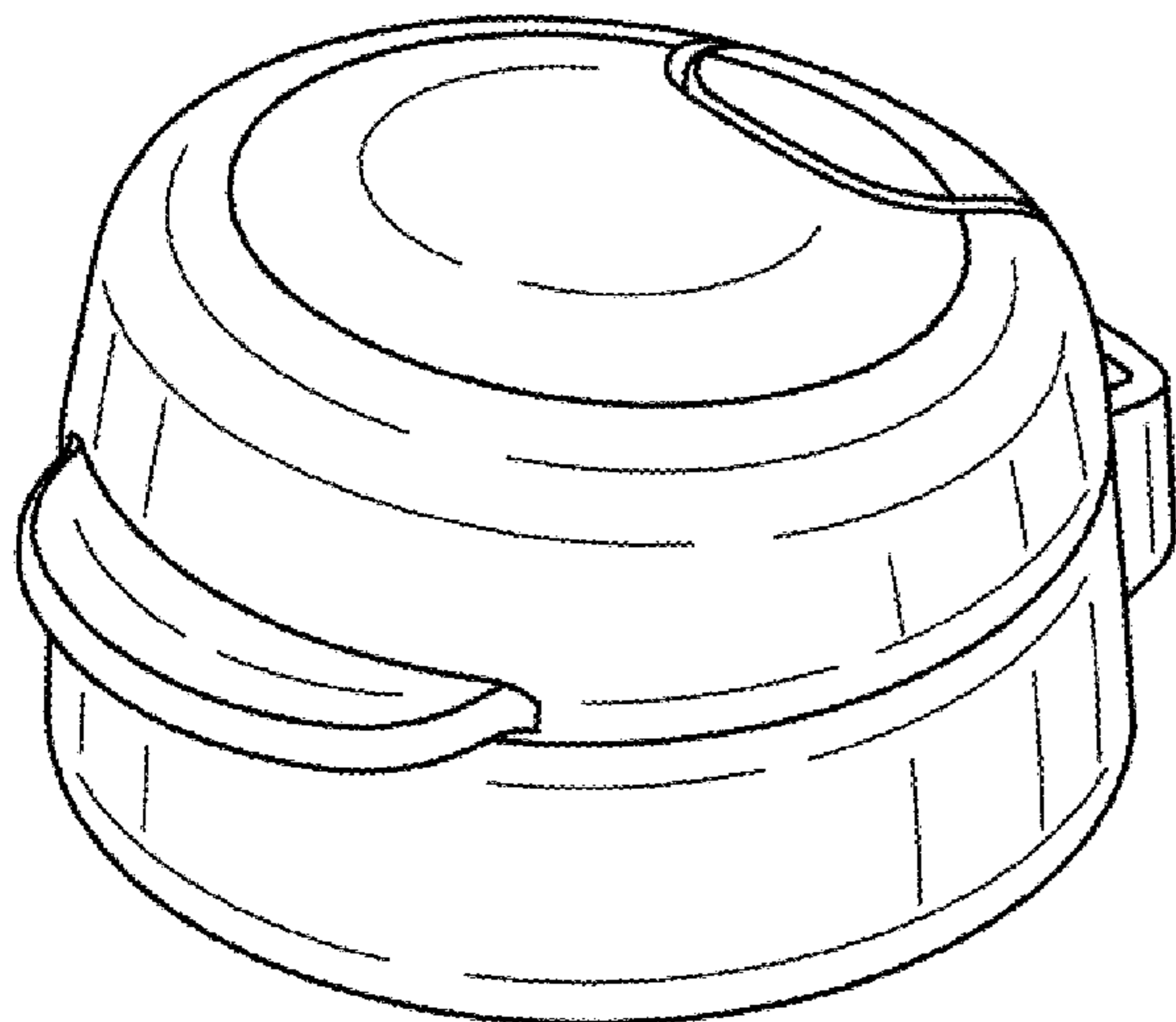
(57) **CLAIM**

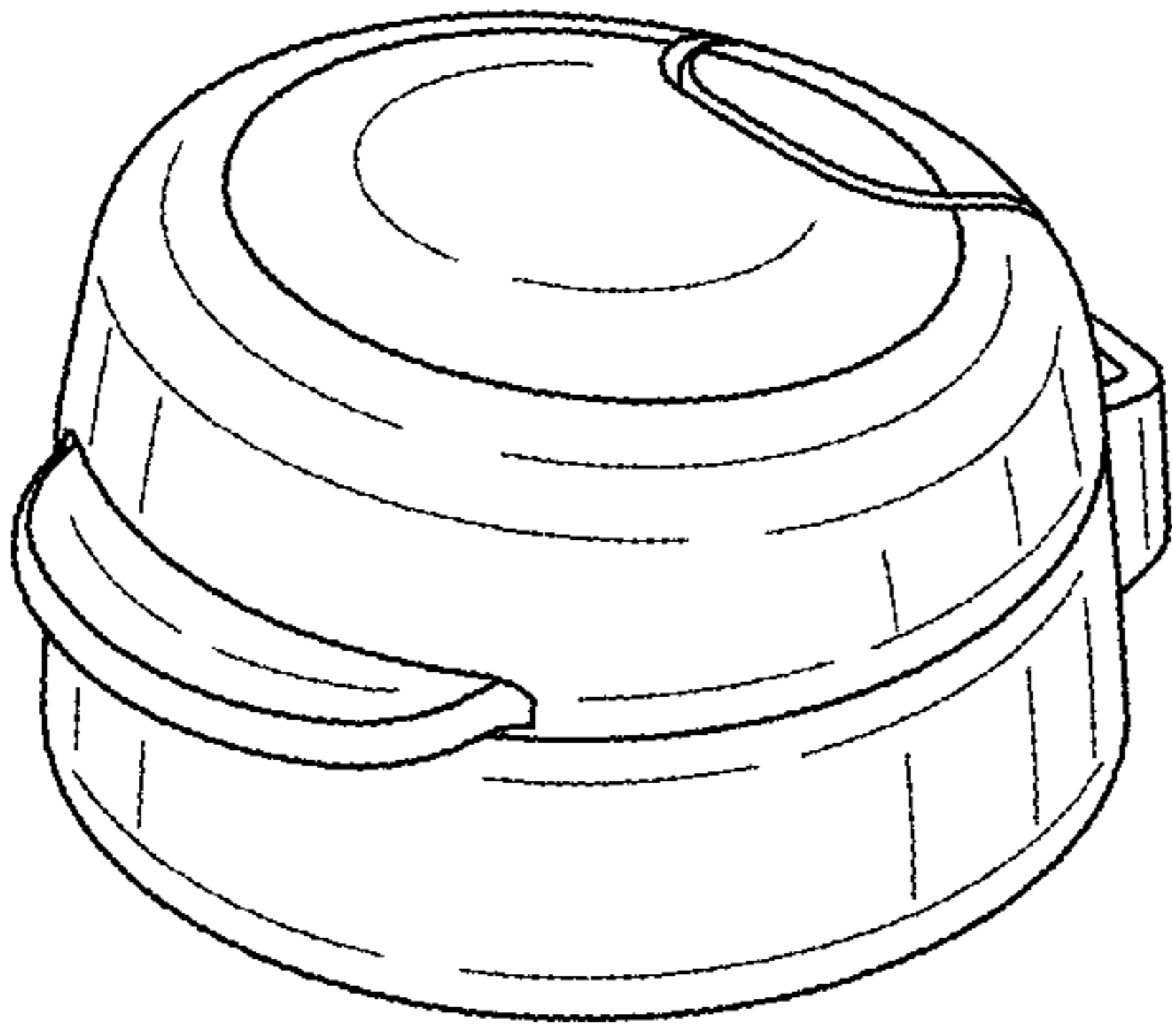
The ornamental design for a cap for bottle, as shown and described.

**DESCRIPTION**

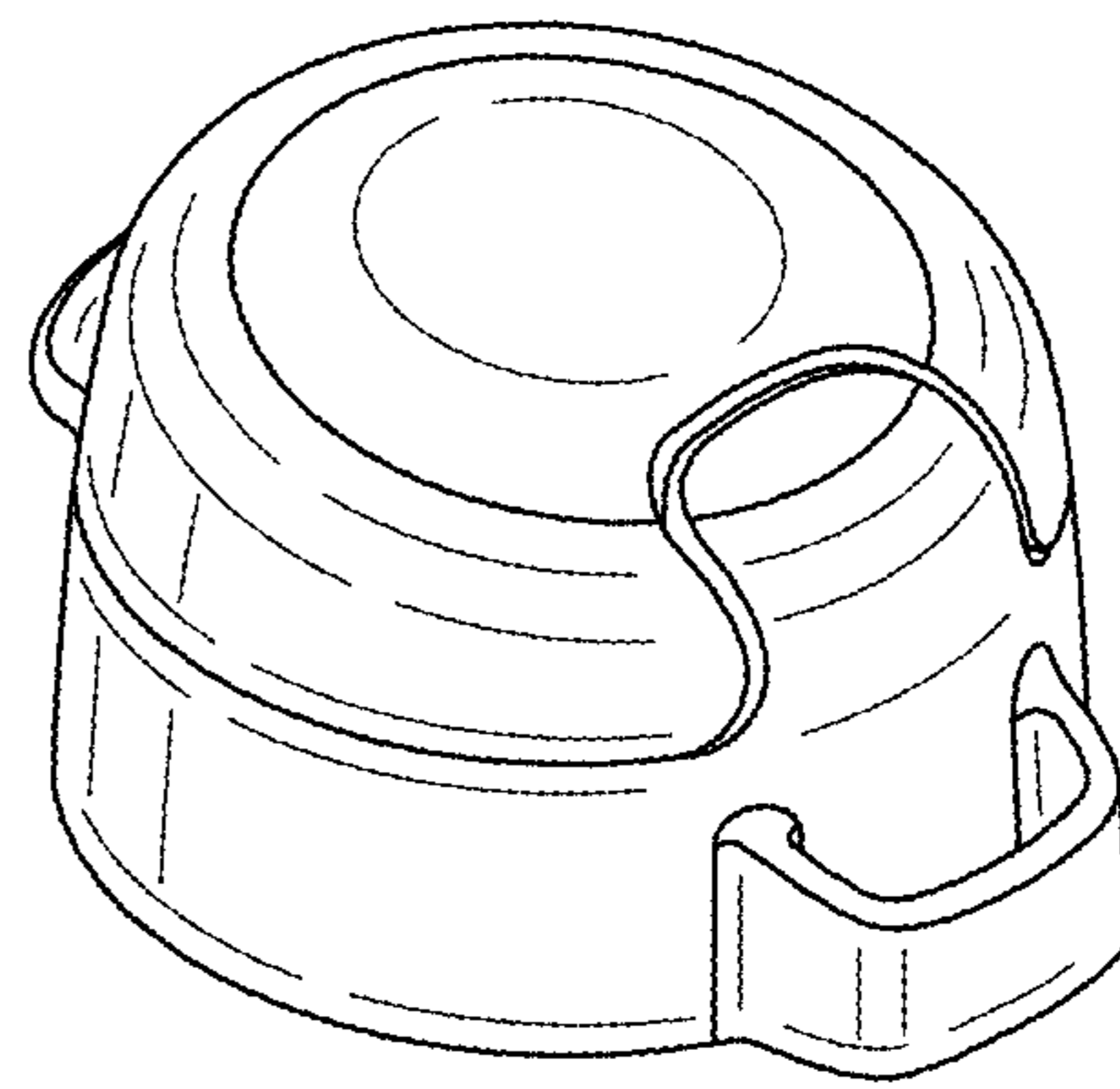
This application is related to co-pending application Ser. No. 14/746,965, which are incorporated herein by reference. FIG. 1 is a top, front and left side perspective view of a cap for bottle showing our new design; FIG. 2 is a top, rear and left side perspective view thereof; FIG. 3 is a top plan view thereof; FIG. 4 is a bottom plan view thereof; FIG. 5 is a left side elevational view thereof; the right side elevational view being a mirror image; FIG. 6 is a front elevational view thereof; and, FIG. 7 is a rear elevational view thereof. The broken lines in the drawing depict portions of the cap for bottle that form no part of the claimed design.

**1 Claim, 1 Drawing Sheet**

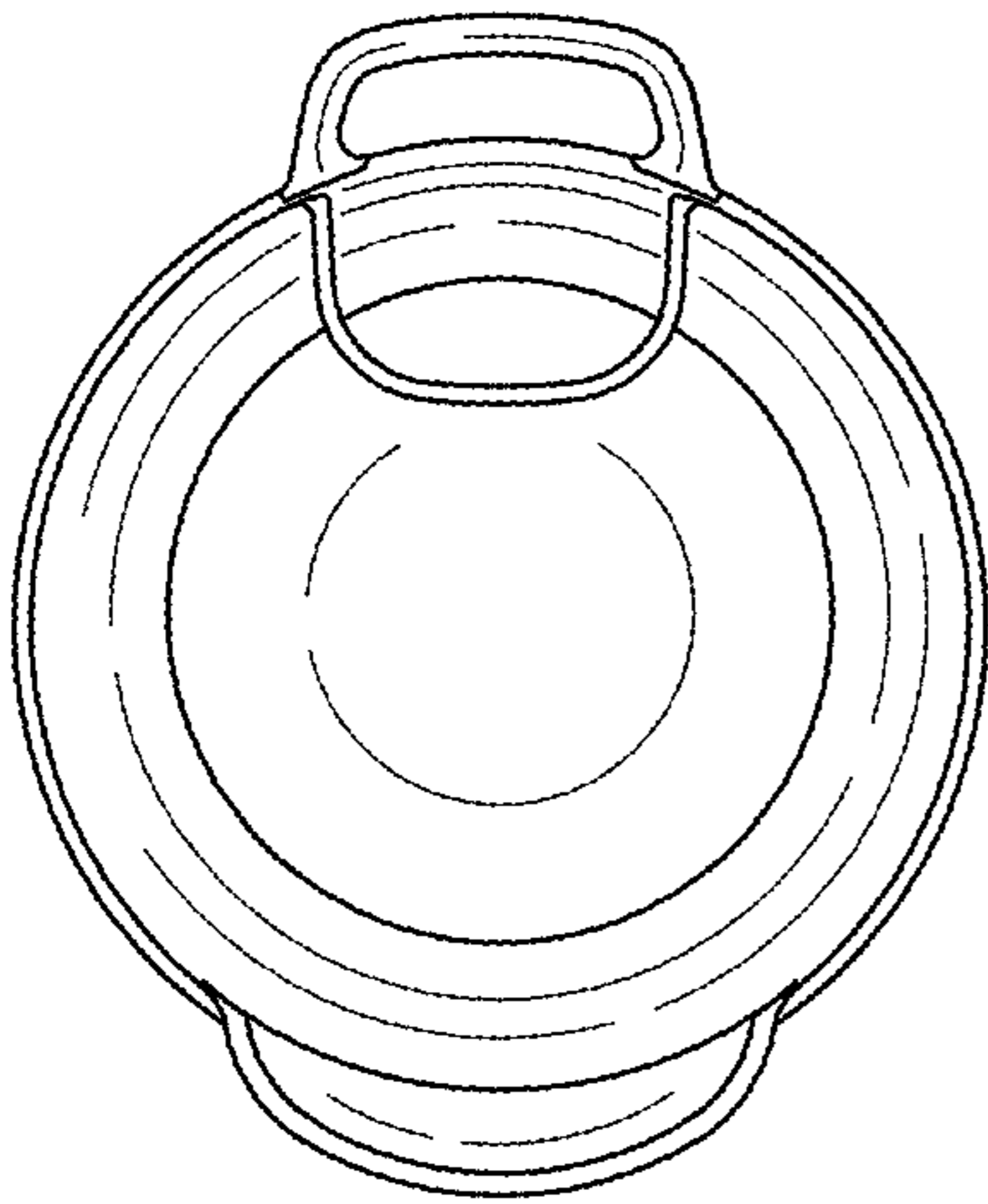




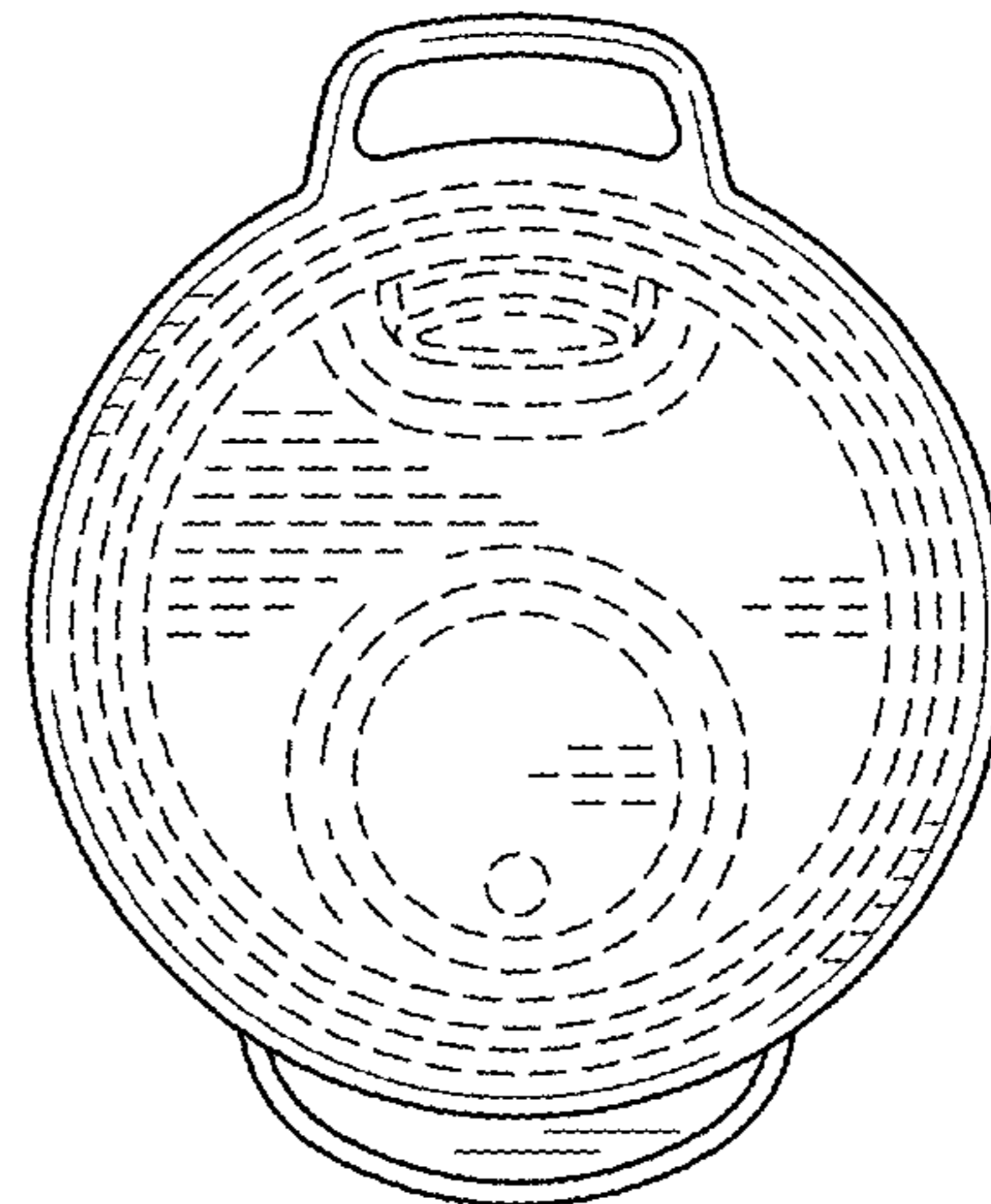
*FIG. 1*



*FIG. 2*



*FIG. 3*



*FIG. 4*