



US00D785401S

(12) **United States Design Patent**  
**Schneck**

(10) **Patent No.:** **US D785,401 S**

(45) **Date of Patent:** **\*\* May 2, 2017**

- (54) **TRIVET**
- (71) Applicant: **OMMO Co., Limited**, WanChai (HK)
- (72) Inventor: **Shane Schneck**, GuangDong (CN)
- (73) Assignee: **OMMO Co. Limited**, Wanchai (HK)
- (\*\*) Term: **15 Years**

D560,094 S *	1/2008	Miller .....	D7/387
D579,719 S *	11/2008	King .....	D7/409
D602,733 S *	10/2009	Huber .....	D7/388
D669,685 S *	10/2012	Legreca .....	D3/304
D702,998 S *	4/2014	Fugere .....	D7/409
D722,469 S *	2/2015	Bodum .....	D7/387
D723,326 S *	3/2015	Potter .....	D7/388
D728,991 S *	5/2015	Hasegawa .....	D7/368
D763,542 S *	8/2016	Guidolin .....	D1/128

\* cited by examiner

- (21) Appl. No.: **29/536,956**
- (22) Filed: **Aug. 20, 2015**
- (51) **LOC (10) Cl.** ..... **07-99**
- (52) **U.S. Cl.**  
USPC ..... **D7/388; D7/409**
- (58) **Field of Classification Search**  
USPC .... D7/388, 389, 407, 409, 368; 248/346.11,  
248/346.01  
CPC ..... A47J 36/04; A47G 23/03; A47B 23/002  
See application file for complete search history.

*Primary Examiner* — Marianne Pandozzi  
(74) *Attorney, Agent, or Firm* — Schmeiser, Olsen & Watts, LLP

(57) **CLAIM**

The ornamental design for a trivet, as shown and described.

**DESCRIPTION**

FIG. 1 is a front view of a trivet showing my new design;  
FIG. 2 is a rear view thereof;  
FIG. 3 is a right side view thereof;  
FIG. 4 is a left side view thereof;  
FIG. 5 is a top plan view thereof;  
FIG. 6 is a bottom plan view thereof;  
FIG. 7 is a perspective view thereof;  
FIG. 8 is a front view thereof in folded position;  
FIG. 9 is a rear view thereof in folded position;  
FIG. 10 is a left side view thereof in folded position;  
FIG. 11 is a right side view thereof in folded position;  
FIG. 12 is a top plan view thereof in folded position; and,  
FIG. 13 is a perspective view thereof in folded position.

(56) **References Cited**

**U.S. PATENT DOCUMENTS**

D33,105 S *	8/1900	Moody .....	D7/359
2,588,812 A *	3/1952	Dougherty .....	C10G 73/40 206/503
3,559,866 A *	2/1971	Olson, Sr. ....	B65D 85/48 206/454
4,121,510 A *	10/1978	Frederick .....	H05B 6/6408 219/733
D363,410 S *	10/1995	Hazen .....	D7/359
D427,856 S *	7/2000	Sellers .....	D7/624.1

**1 Claim, 9 Drawing Sheets**

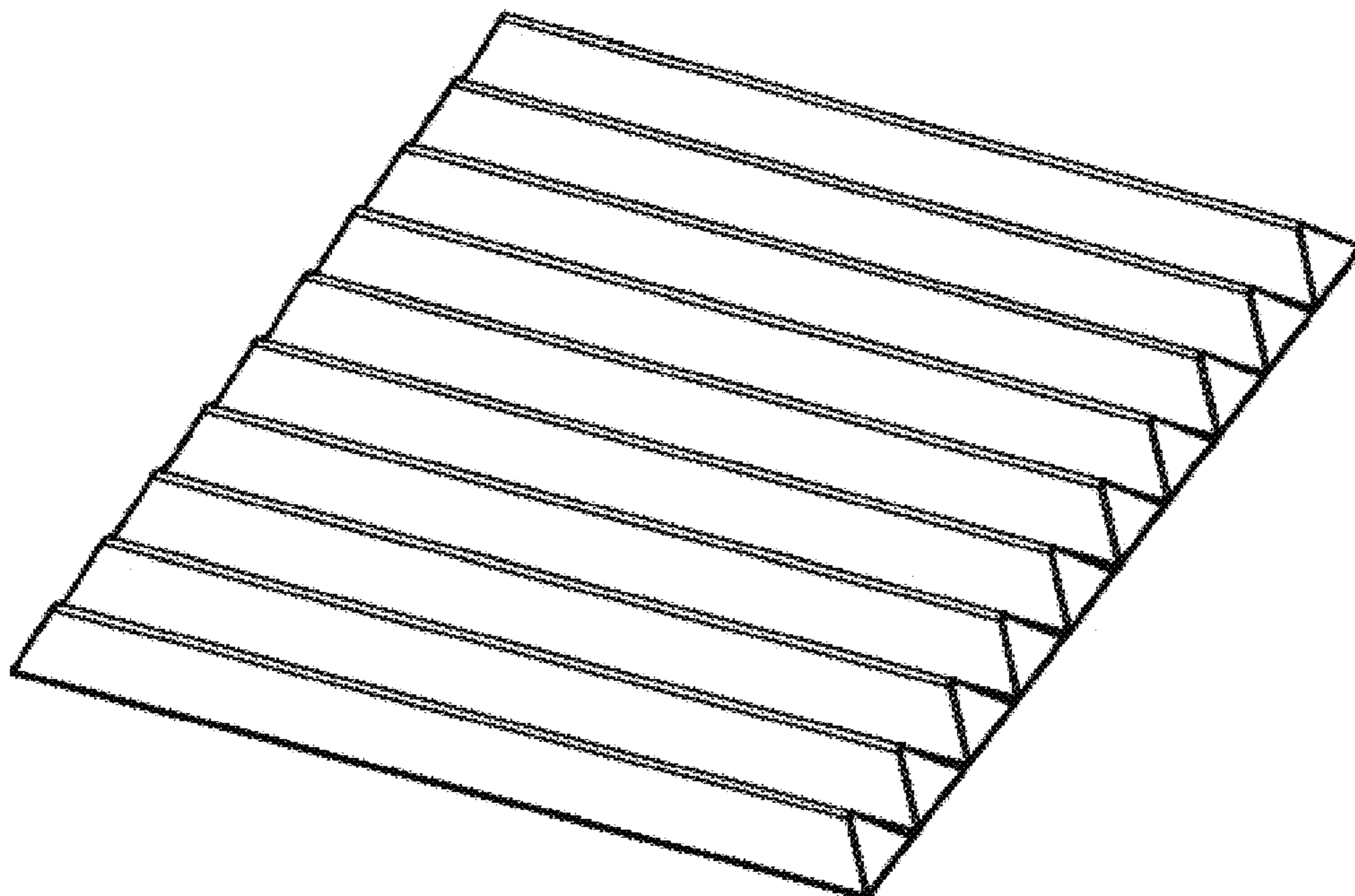
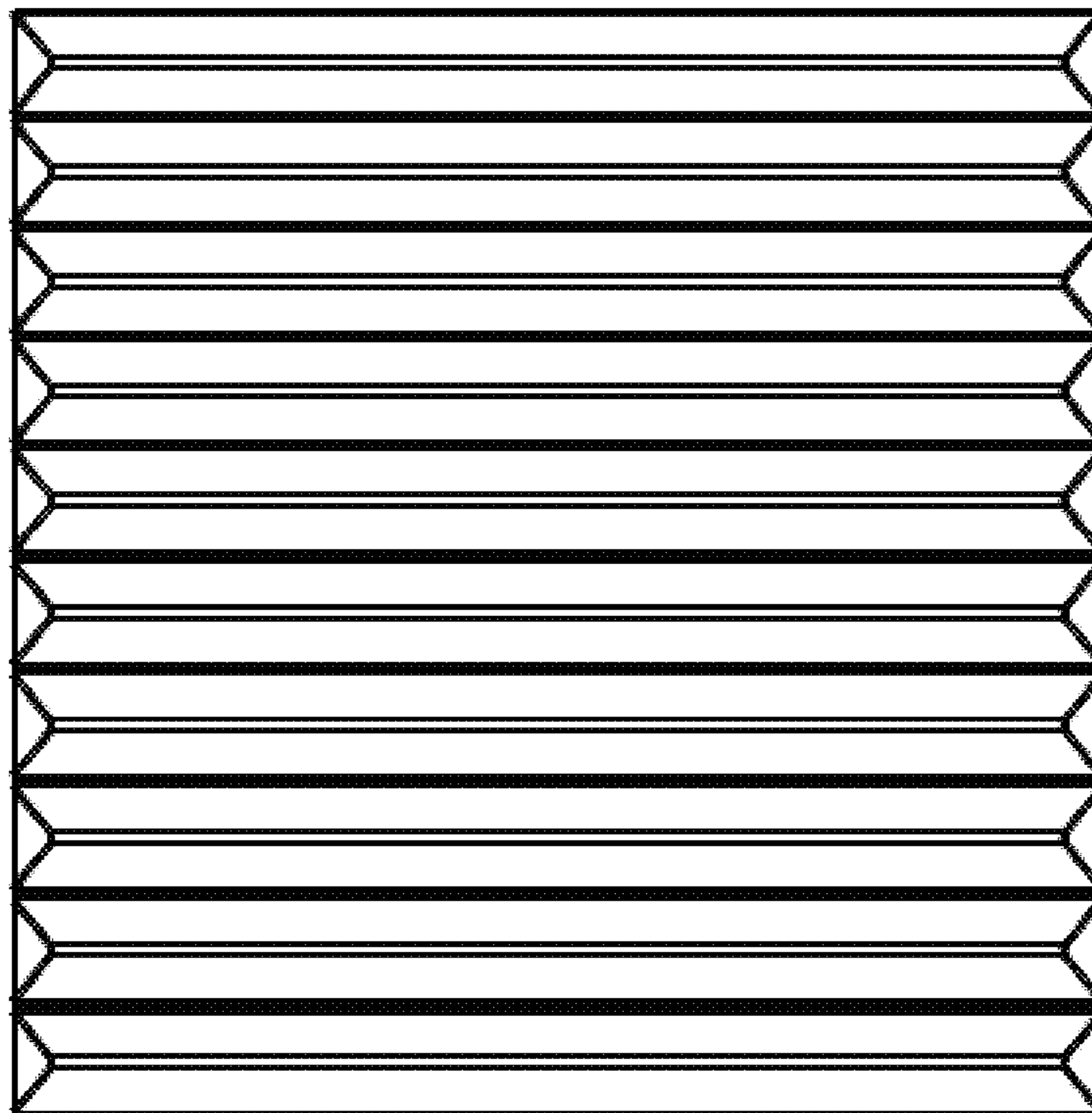
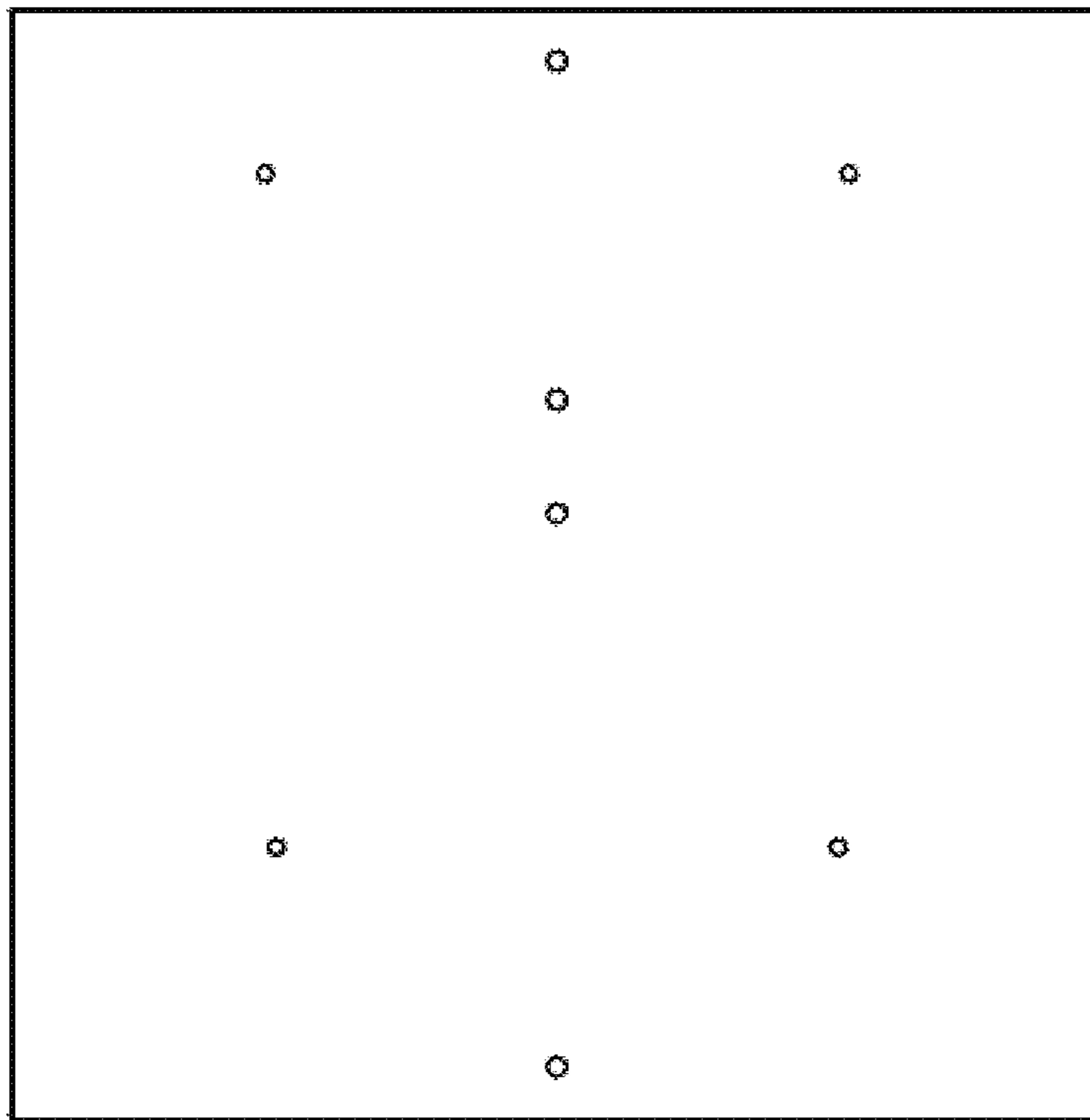


FIG. 1



**FIG. 2**



**FIG. 3**

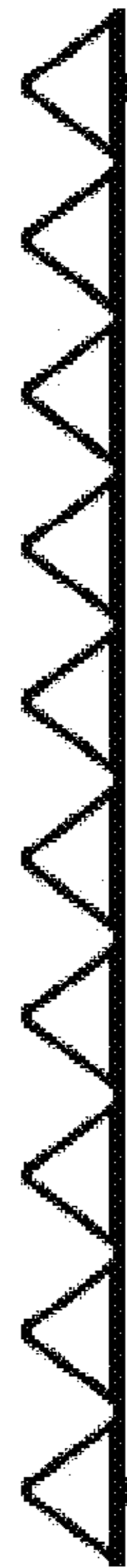
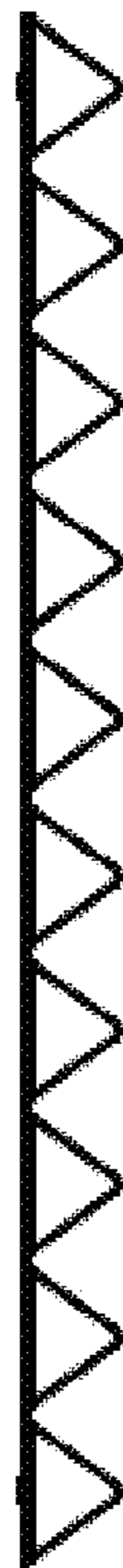


FIG. 4



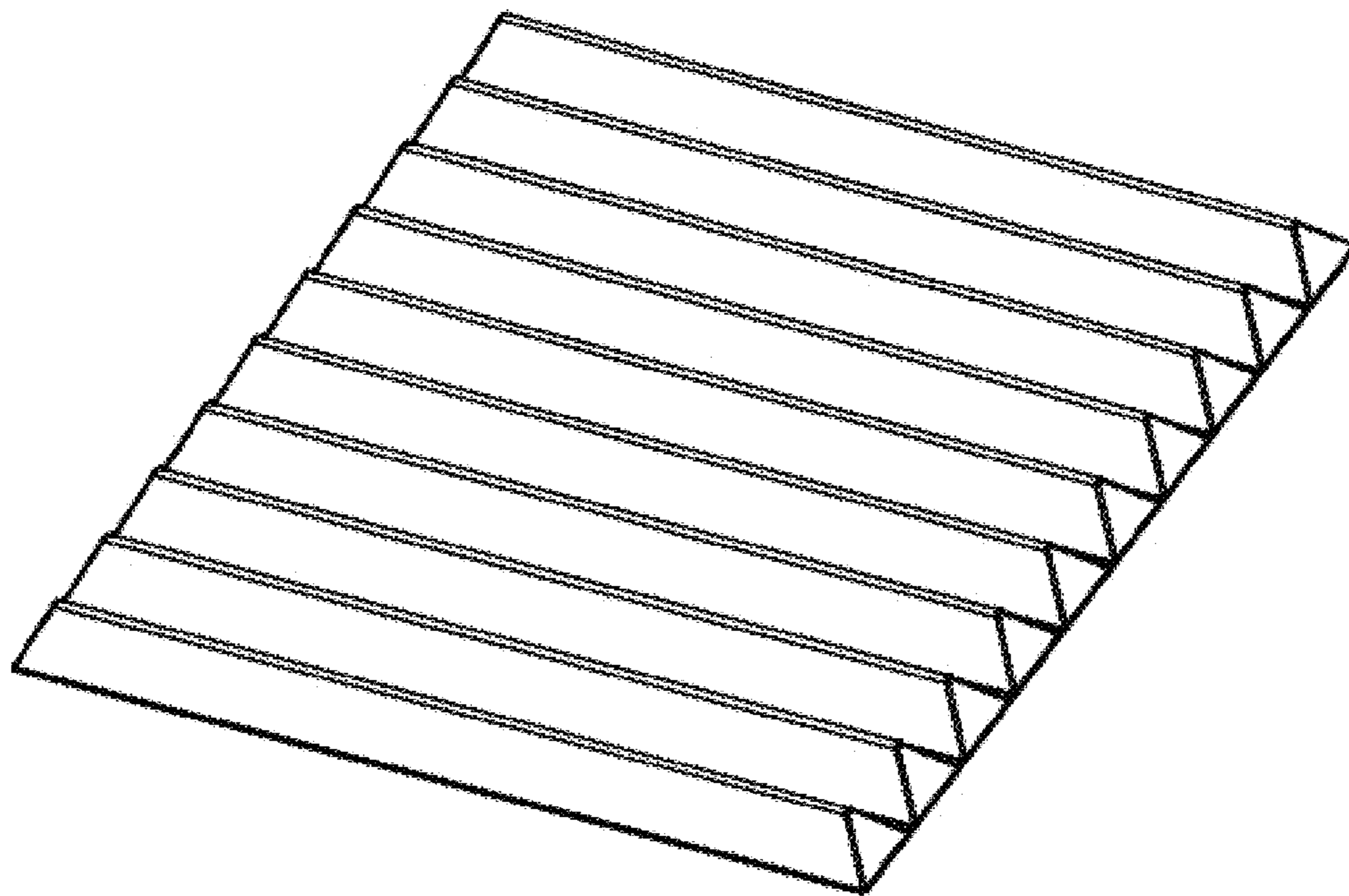
**FIG. 5**



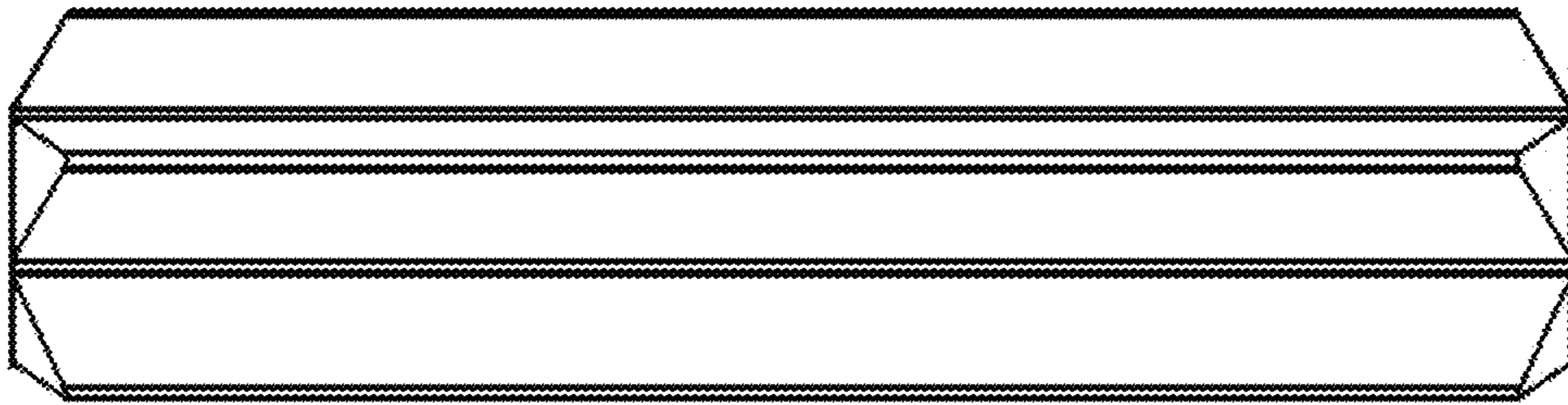
**FIG. 6**



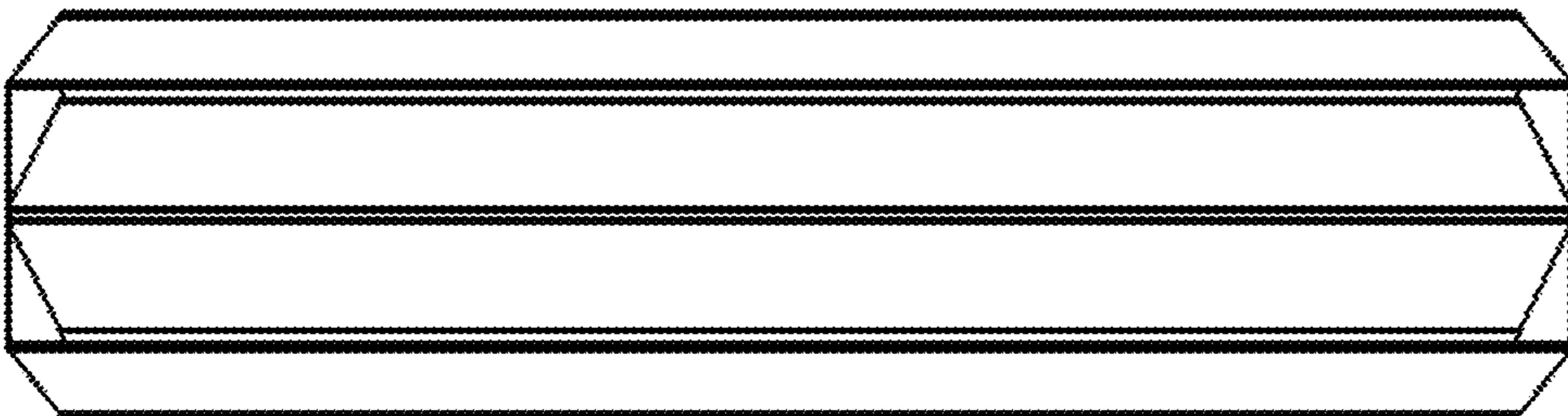
FIG. 7



**FIG. 8**

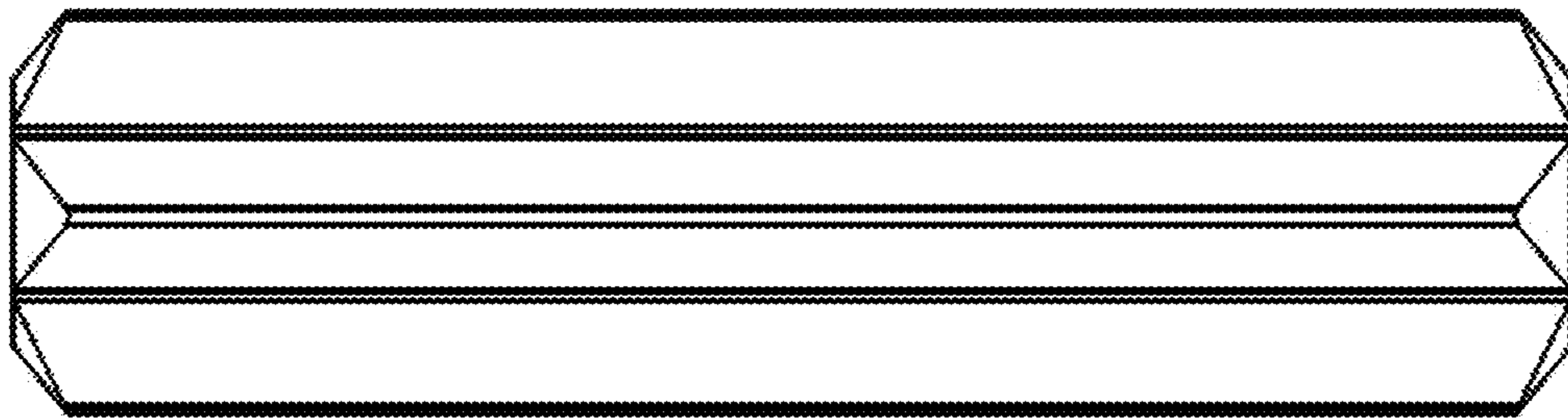


**FIG. 9**





**FIG. 10**



**FIG. 11**

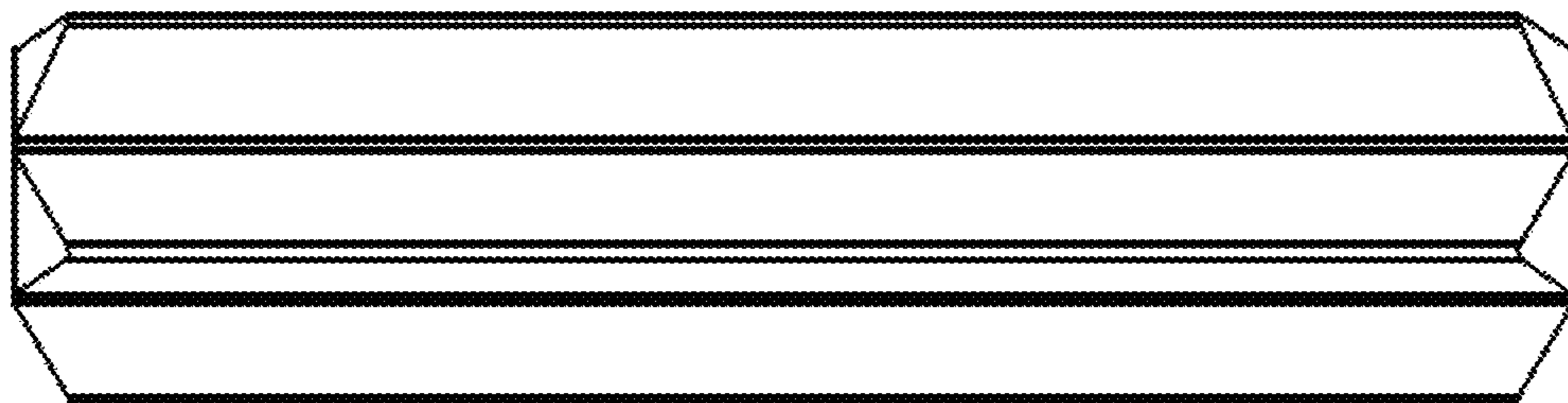


FIG. 12

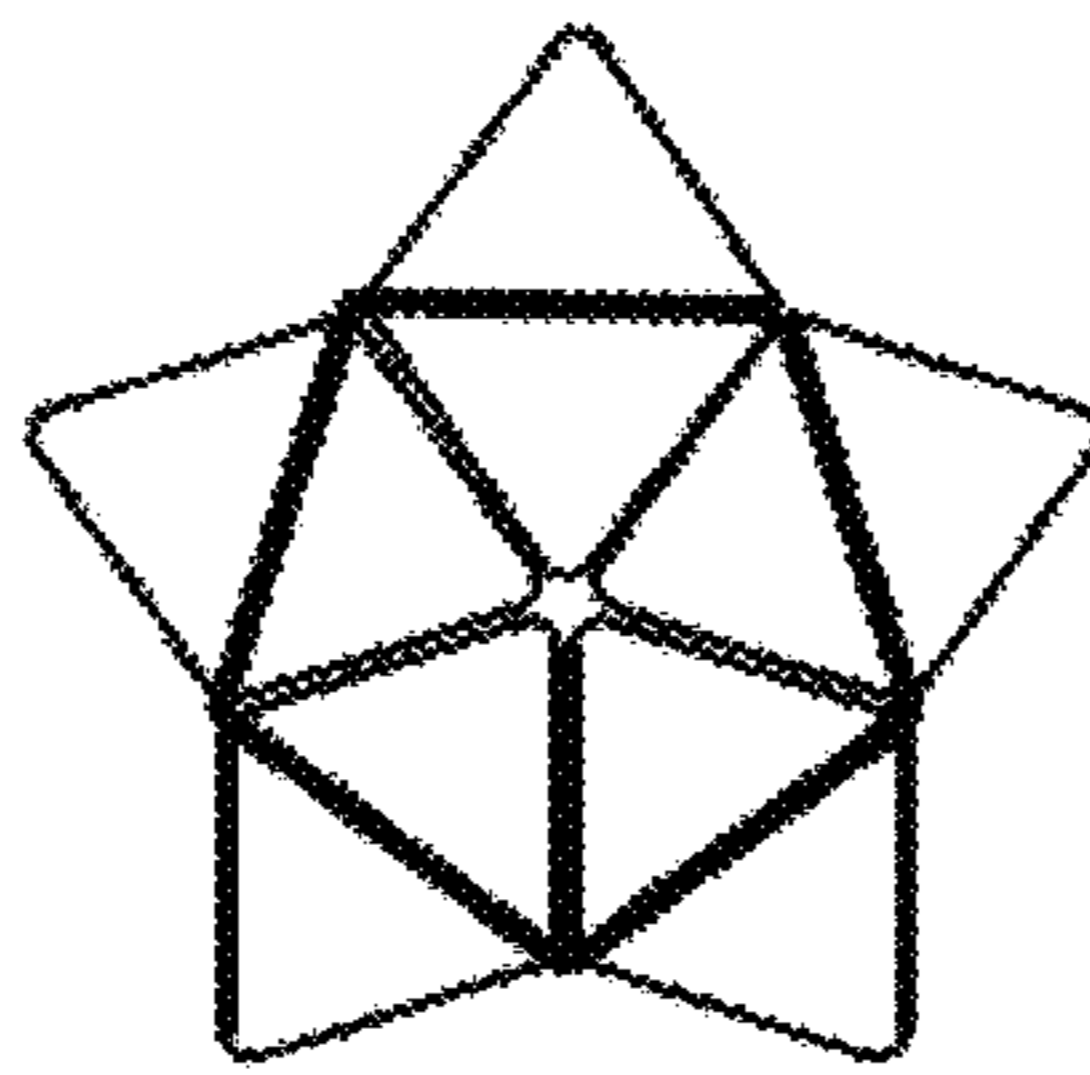


FIG. 13

