



US00D785400S

(12) **United States Design Patent**
Lee

(10) **Patent No.: US D785,400 S**

(45) **Date of Patent: ** May 2, 2017**

- (54) **FOOD CONTAINER**
- (71) Applicant: **Goodland People, LLC**, Studio City, CA (US)
- (72) Inventor: **Yeon Joo Lee**, Los Angeles, CA (US)
- (**) Term: **15 Years**
- (21) Appl. No.: **29/532,623**
- (22) Filed: **Jul. 8, 2015**
- (51) **LOC (10) Cl. 07-02**
- (52) **U.S. Cl.**
USPC **D7/354**
- (58) **Field of Classification Search**
USPC D7/323, 354-363, 391, 393-396, 409
CPC A47G 19/12; A47J 27/00; A47J 27/002;
A47J 27/08; A47J 27/21; A47J 27/58;
A47J 36/025; A47J 36/06; A47J 36/12;
A47J 36/38; A47J 37/00; A47J 37/10;
A47J 37/101; A47J 37/103; A47J 37/12;
A47J 37/1204; A47J 45/061; A47J
45/071; A47J 45/08; H05B 6/12
See application file for complete search history.

- 7,073,498 B2 * 7/2006 Howell A47J 36/06
126/381.1
- D539,598 S * 4/2007 Groll D7/354
- D548,516 S * 8/2007 Tanguy D7/354
- D659,463 S * 5/2012 Henry D7/354
- D701,722 S * 4/2014 Merzouky D7/354

* cited by examiner

Primary Examiner — Ricky Pham

(74) *Attorney, Agent, or Firm* — Anthony King;
Alexander Chang; David Yu

(57) **CLAIM**

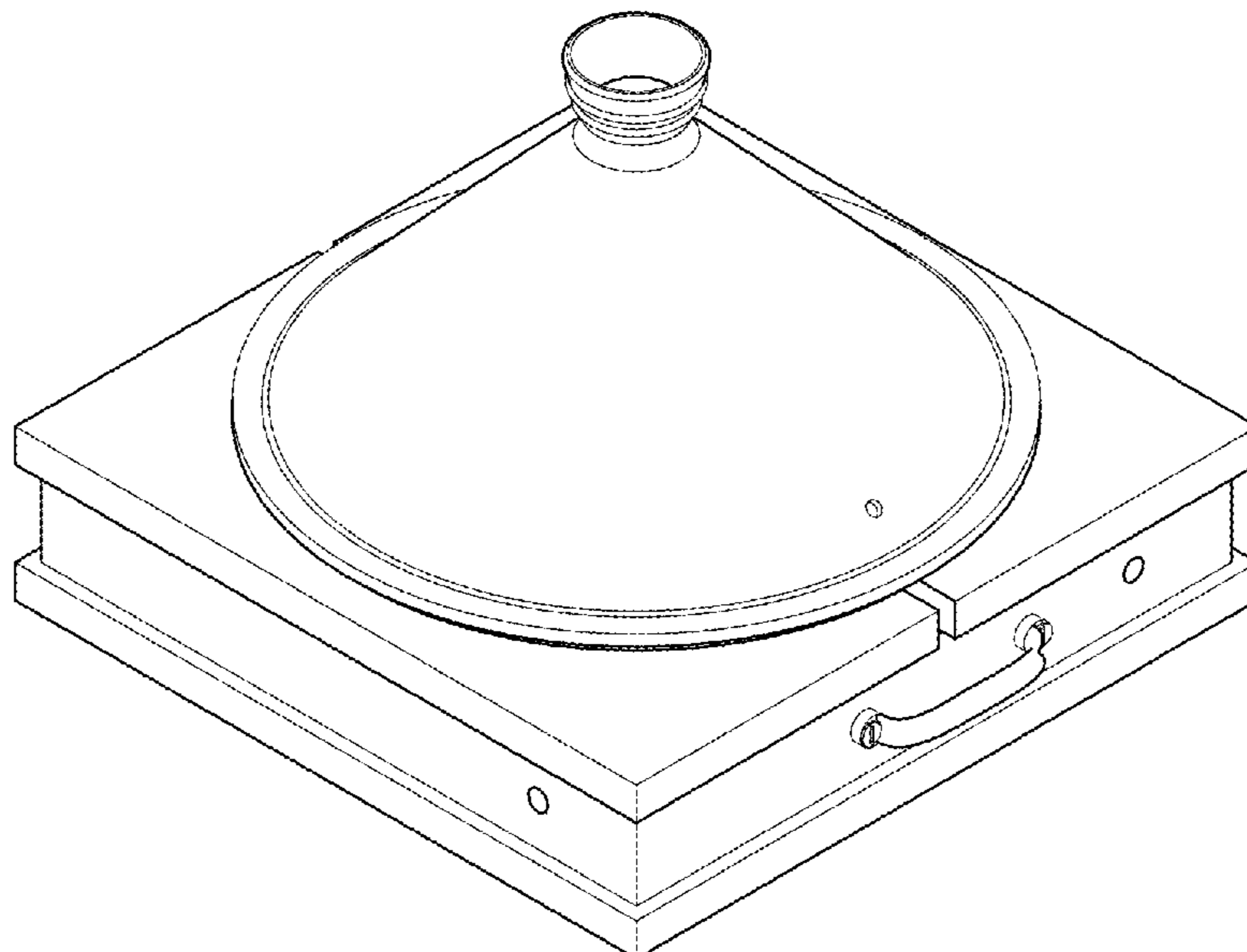
The ornamental design for a food container, as shown and described.

DESCRIPTION

FIG. 1 is a perspective view of the food container;
 FIG. 2 is a front view of the food container of FIG. 1;
 FIG. 3 is a back view of the food container of FIG. 1;
 FIG. 4 is a left side view of the food container of FIG. 1;
 FIG. 5 is a right side view of the food container of FIG. 1;
 FIG. 6 is a top view of the food container of FIG. 1; and,
 FIG. 7 is a bottom view of the food container of FIG. 1.
 Color and texture may or may not form part of the claimed design without departing from the design disclosed. The inventors anticipate that the invention can be any part, portion, element, or combination of elements of the depicted design.
 The food container is typically used to hold and serve food. The food container comprises a base and a removable lid.

- (56) **References Cited**
U.S. PATENT DOCUMENTS
- 1,627,099 A * 5/1927 Landgren A47J 36/38
126/385.1
- 3,937,210 A * 2/1976 Kachaylo A47J 36/38
126/381.1
- 4,700,689 A * 10/1987 Speker A47J 37/101
126/381.1
- 5,595,108 A * 1/1997 Sheu A47J 37/101
220/367.1

1 Claim, 4 Drawing Sheets



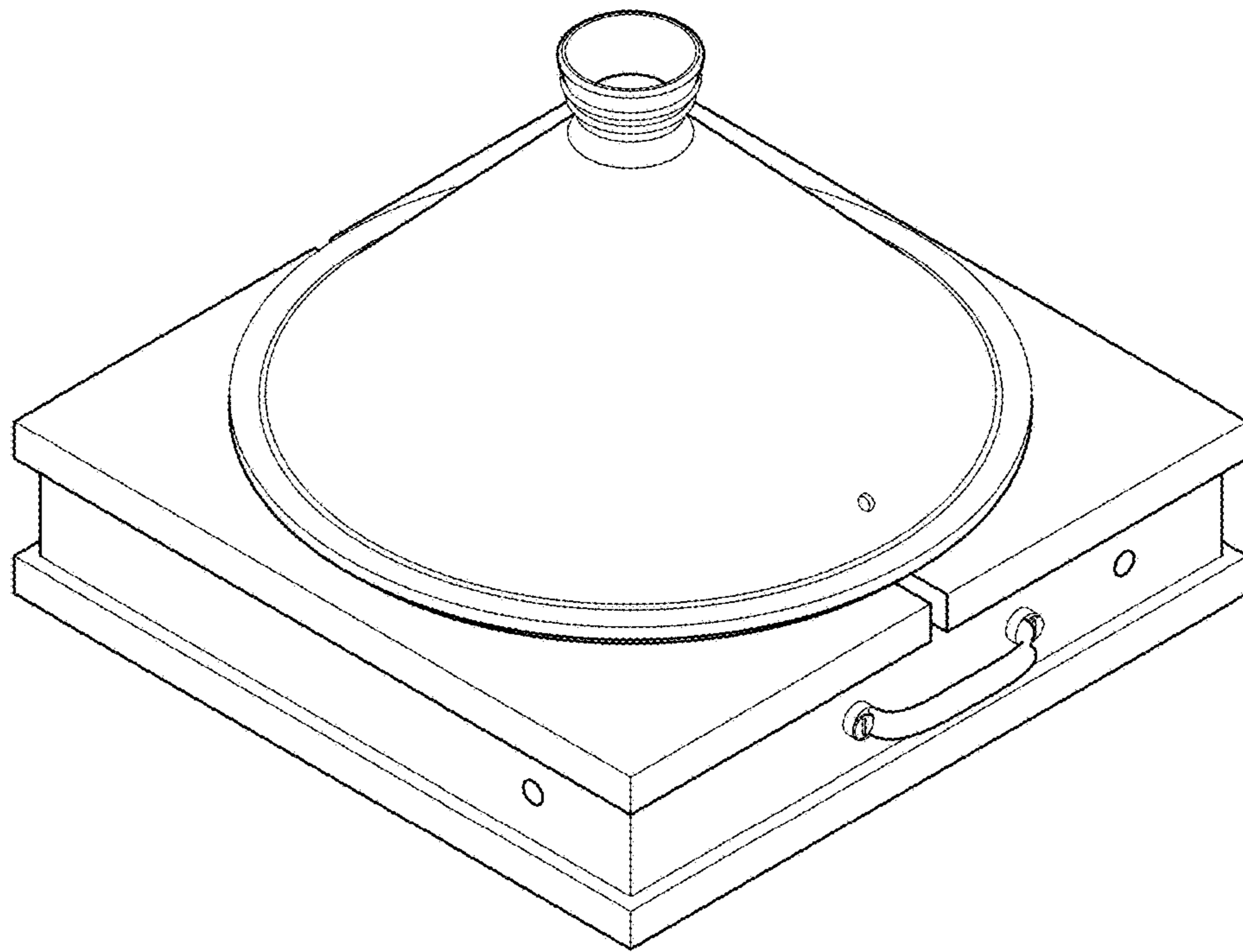


FIG. 1

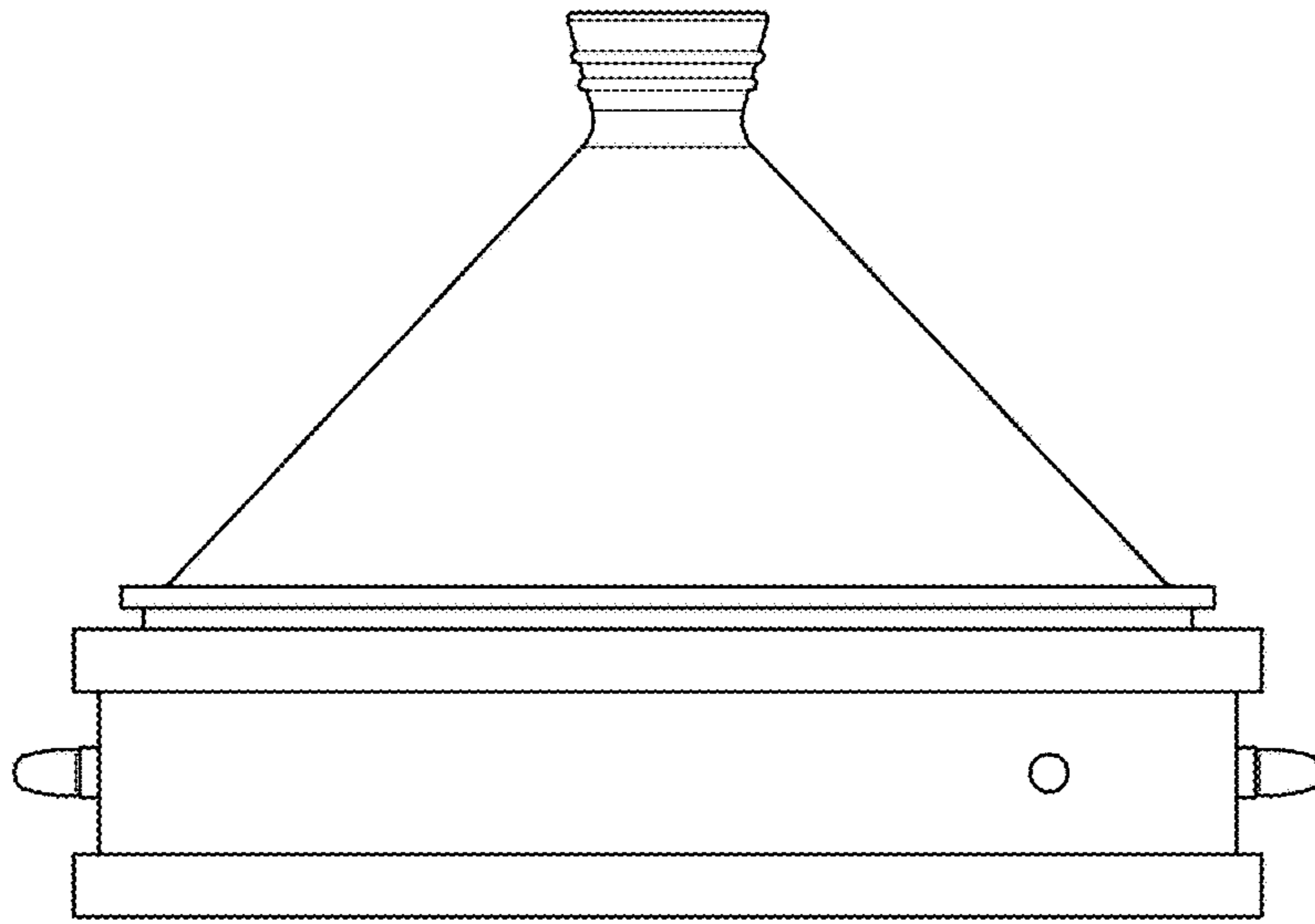


FIG. 2

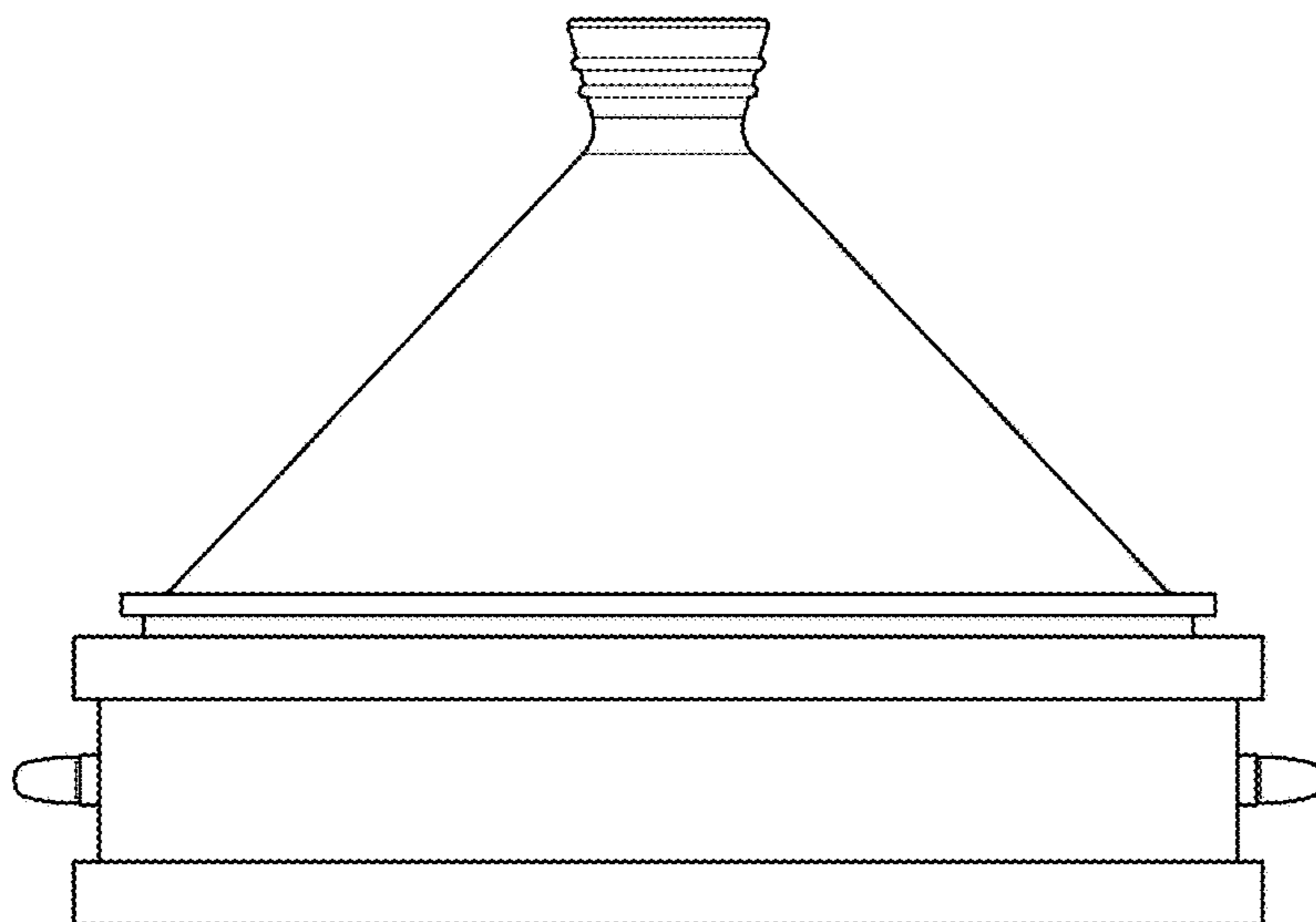


FIG. 3

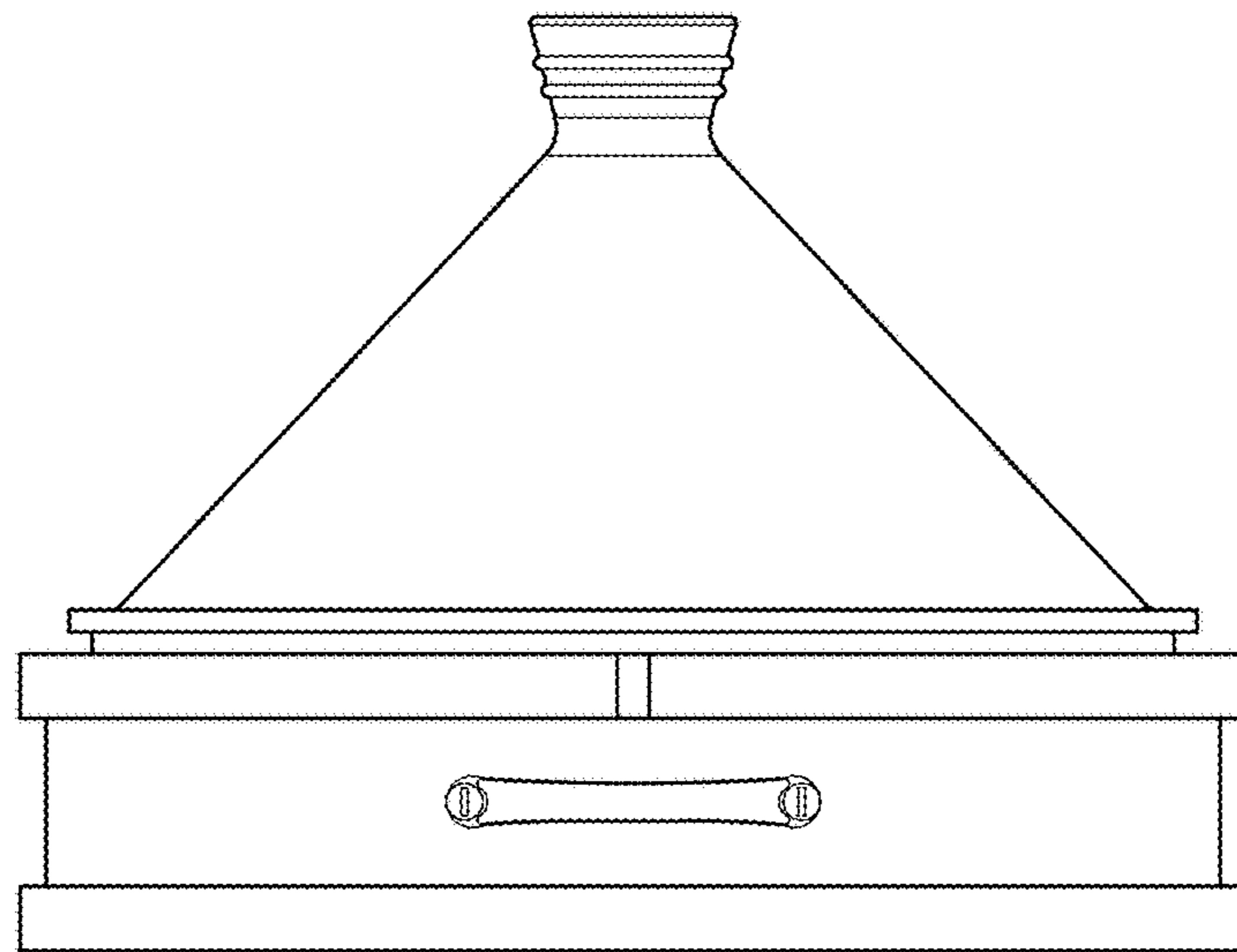


FIG. 4

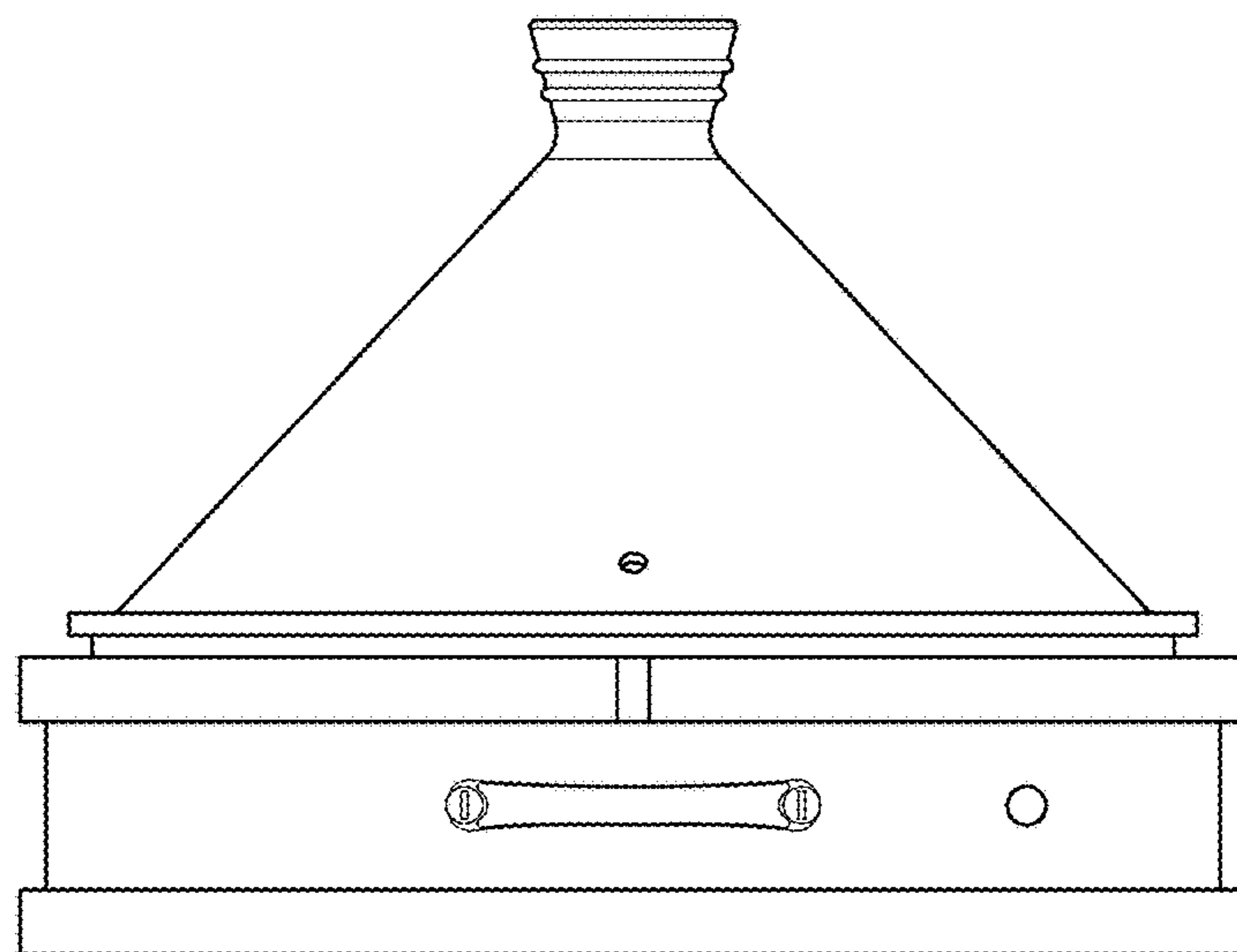


FIG. 5

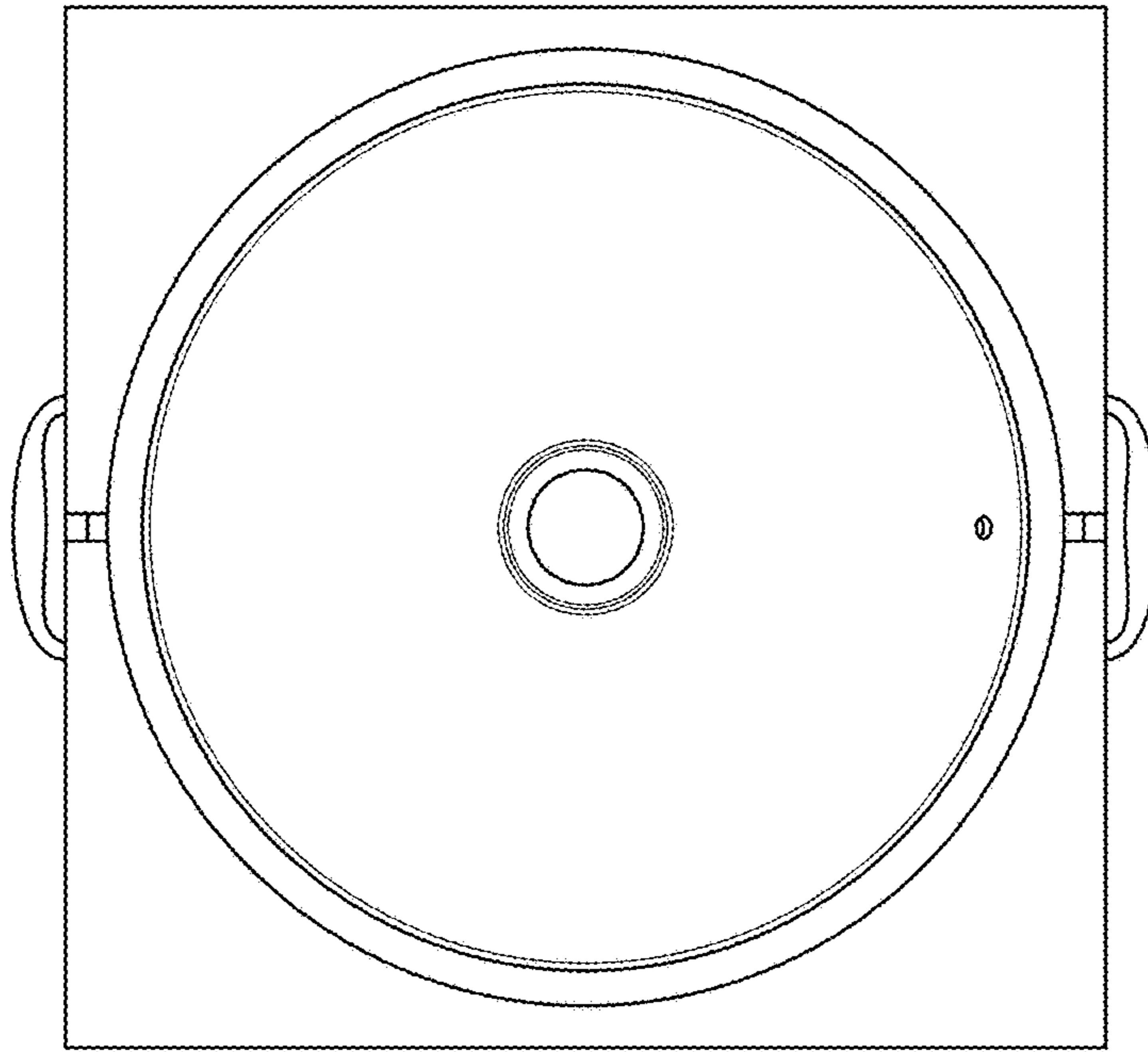


FIG. 6

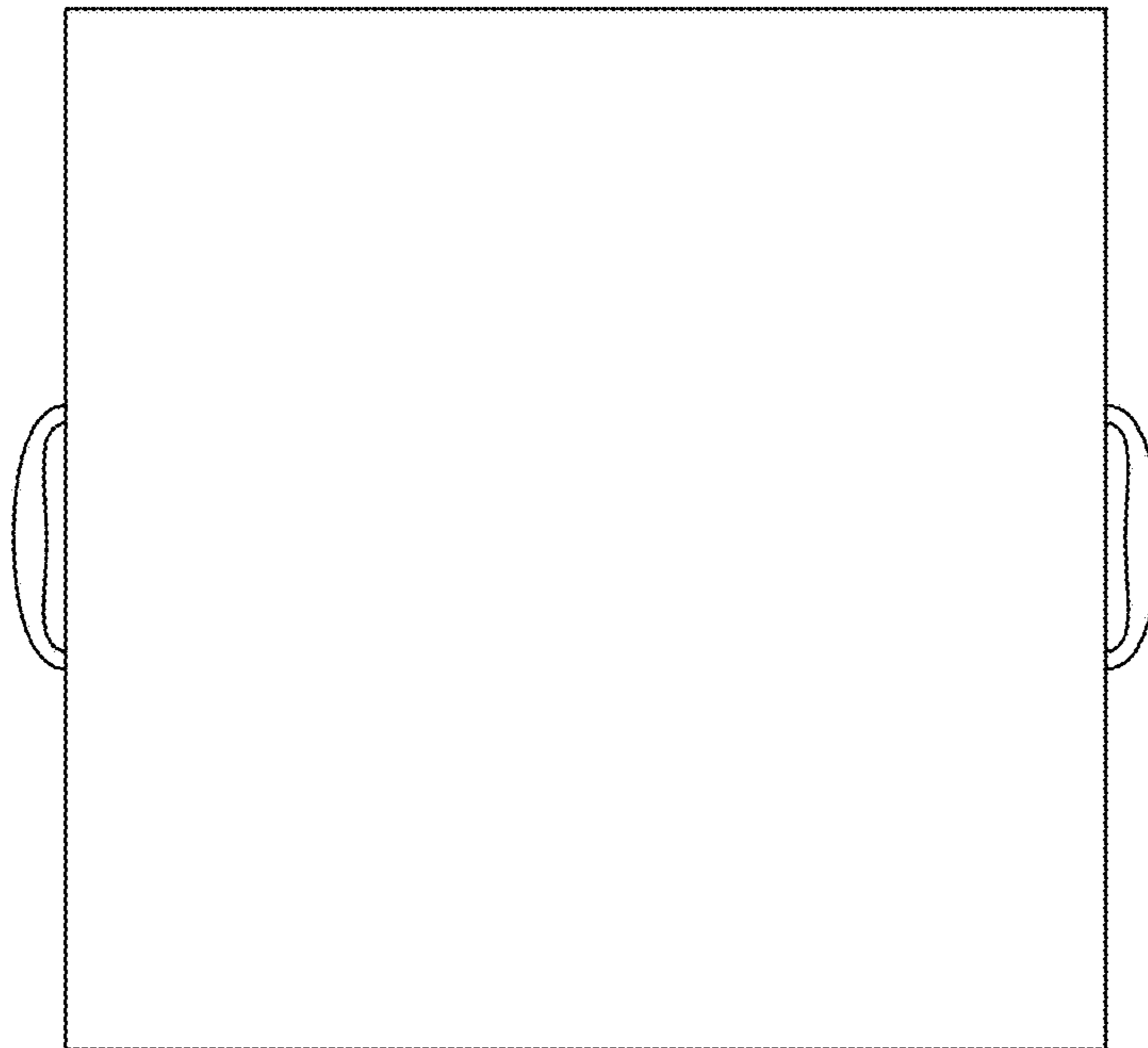


FIG. 7