



US00D785398S

(12) **United States Design Patent**  
**Kim et al.**

(10) **Patent No.:** **US D785,398 S**

(45) **Date of Patent:** **\*\* May 2, 2017**

(54) **GAS OVEN RANGE**

(71) Applicant: **LG ELECTRONICS INC.**, Seoul (KR)

(72) Inventors: **Myungshik Kim**, Seoul (KR);  
**Sangwoog Cho**, Seoul (KR); **Jaehun Chung**, Seoul (KR); **Sangwoo Kim**, Seoul (KR)

(73) Assignee: **LG Electronics Inc.**, Seoul (KR)

(\*\*) Term: **15 Years**

(21) Appl. No.: **29/568,614**

(22) Filed: **Jun. 20, 2016**

(30) **Foreign Application Priority Data**

Dec. 21, 2015 (KR) ..... 30-2015-0065224

(51) **LOC (10) Cl.** ..... **07-02**

(52) **U.S. Cl.**  
USPC ..... **D7/340; D7/348; D7/346; D7/347**

(58) **Field of Classification Search**  
USPC ..... **D7/323, 328, 336-337, 339-342, D7/346-349, 363, 387, 402-408**  
CPC ..... **A47J 36/26; A47J 37/00; A47J 37/0807; F24C 1/00; F24C 3/00; F24C 7/00; F24C 7/002; F24C 7/046; F24C 7/067**

See application file for complete search history.

(56) **References Cited**

**U.S. PATENT DOCUMENTS**

D400,778 S \* 11/1998 Holbrook, Jr. .... D8/311  
D524,095 S \* 7/2006 Pino ..... D7/349  
D530,972 S \* 10/2006 Park ..... D7/340  
D555,976 S \* 11/2007 Baldwin ..... D7/405  
D560,955 S \* 2/2008 Shin ..... D7/340  
D564,282 S \* 3/2008 Suh ..... D7/340

D578,823 S \* 10/2008 Kim ..... D7/340  
D604,987 S \* 12/2009 Jung ..... D7/348  
D605,456 S \* 12/2009 Bengtson ..... D7/340  
D609,966 S \* 2/2010 Bengtson ..... D7/405  
D610,863 S \* 3/2010 Kim ..... D7/340  
D612,680 S \* 3/2010 Baker ..... D7/405  
D612,683 S \* 3/2010 Baker ..... D7/405  
D612,685 S \* 3/2010 Baker ..... D7/405  
D617,133 S \* 6/2010 Grey ..... D7/340  
D622,537 S \* 8/2010 Kim ..... D7/340  
D623,889 S \* 9/2010 Kim ..... D7/340  
D634,156 S \* 3/2011 Fuller ..... D7/393  
D637,886 S \* 5/2011 Bengtson ..... D8/311  
D642,042 S \* 7/2011 Kim ..... D8/311  
D646,921 S \* 10/2011 Kim ..... D7/340  
D651,461 S \* 1/2012 Browne ..... D7/405  
D653,900 S \* 2/2012 Kim ..... D7/340  
D655,128 S \* 3/2012 Kim ..... D7/340  
D670,527 S \* 11/2012 Kim ..... D7/340  
D670,969 S \* 11/2012 Bengtson ..... D7/406  
D685,602 S \* 7/2013 Lee ..... D7/340  
D697,358 S \* 1/2014 Kim ..... D7/340

(Continued)

*Primary Examiner* — Caron D Veynar

*Assistant Examiner* — Mehri Bajoul

(74) *Attorney, Agent, or Firm* — Birch, Stewart, Kolasch & Birch, LLP

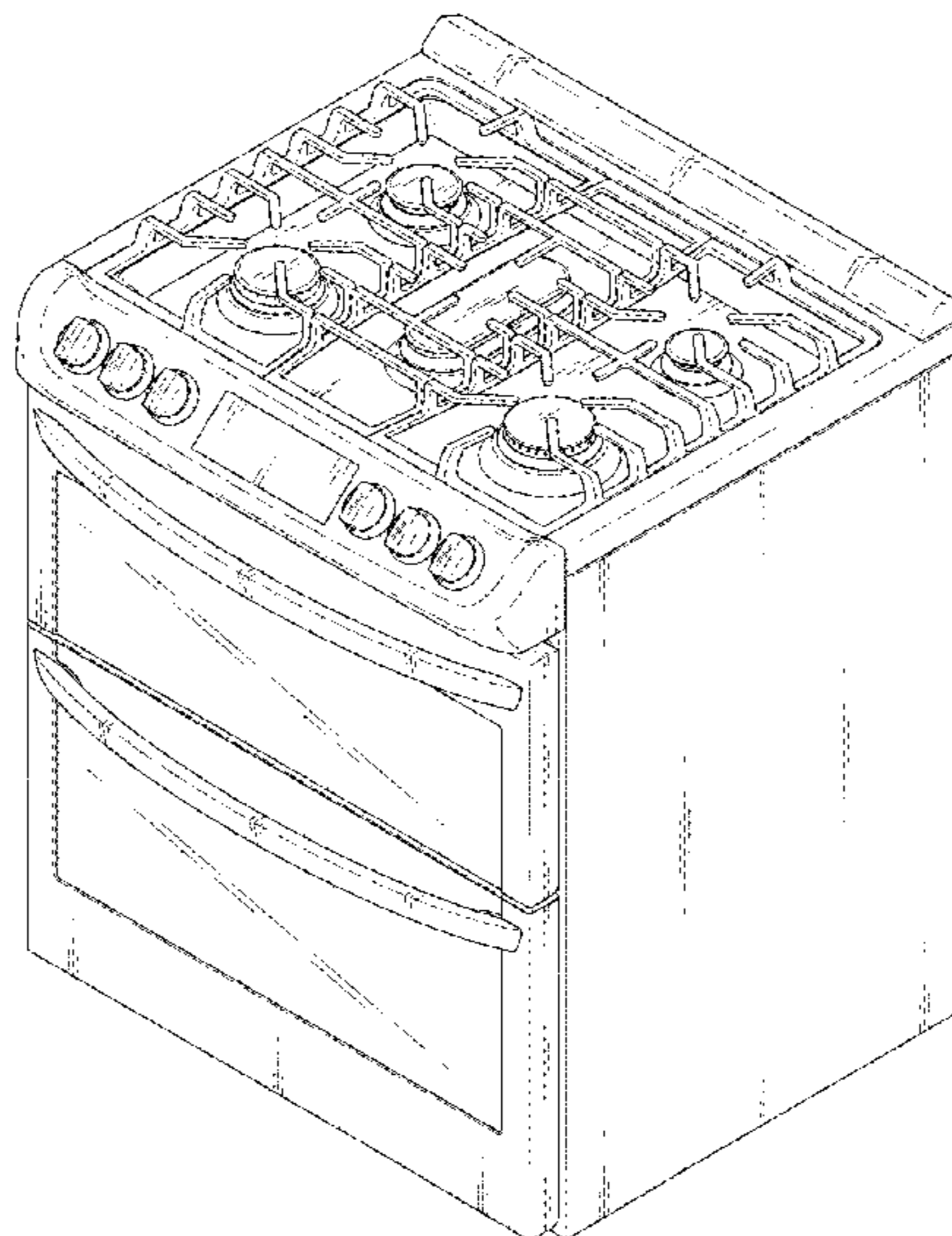
(57) **CLAIM**

The ornamental design for a gas oven range, as shown and described.

**DESCRIPTION**

FIG. 1 is a front, right side, perspective view of a gas oven range showing our new design;  
FIG. 2 is a front view thereof;  
FIG. 3 is a rear view thereof;  
FIG. 4 is a left side view thereof;  
FIG. 5 is a right side view thereof;  
FIG. 6 is a top view thereof; and,  
FIG. 7 is a bottom view.

**1 Claim, 6 Drawing Sheets**



(56)

References Cited

U.S. PATENT DOCUMENTS

D700,469	S *	3/2014	Reay	.....	D7/340
D703,998	S *	5/2014	Funnell, II	.....	D7/393
8,778,180	B2 *	7/2014	Nothen	.....	A21B 1/36 126/369
D710,644	S *	8/2014	Kim	.....	D7/340
D710,645	S *	8/2014	Kim	.....	D7/340
D714,096	S *	9/2014	Boo	.....	D7/406
D722,815	S *	2/2015	Fuller	.....	D7/393
D731,844	S *	6/2015	Kim	.....	D7/340
D731,845	S *	6/2015	Kim	.....	D7/340
D736,553	S *	8/2015	Funnell, II	.....	D7/339
D750,413	S *	3/2016	Funnell, II	.....	D7/348
D755,007	S *	5/2016	Lee	.....	D7/405
D755,558	S *	5/2016	Lee	.....	D7/340
D755,563	S *	5/2016	Kim	.....	D7/406
9,404,661	B2 *	8/2016	Kim	.....	F24C 7/067
D765,459	S *	9/2016	Shoemaker	.....	D7/339
D773,232	S *	12/2016	Shoemaker	.....	D7/339
D775,493	S *	1/2017	Funnell, II	.....	D7/406
2004/0107545	A1 *	6/2004	Worrell	.....	G05G 1/10 16/441
2008/0105248	A1 *	5/2008	Lee	.....	F24C 15/02 126/19 R
2013/0019853	A1 *	1/2013	Kim	.....	F24C 15/02 126/190
2014/0035453	A1 *	2/2014	Kwon	.....	A47B 95/02 312/325
2014/0097172	A1 *	4/2014	Kang	.....	F24C 15/02 219/394

\* cited by examiner

FIG. 1

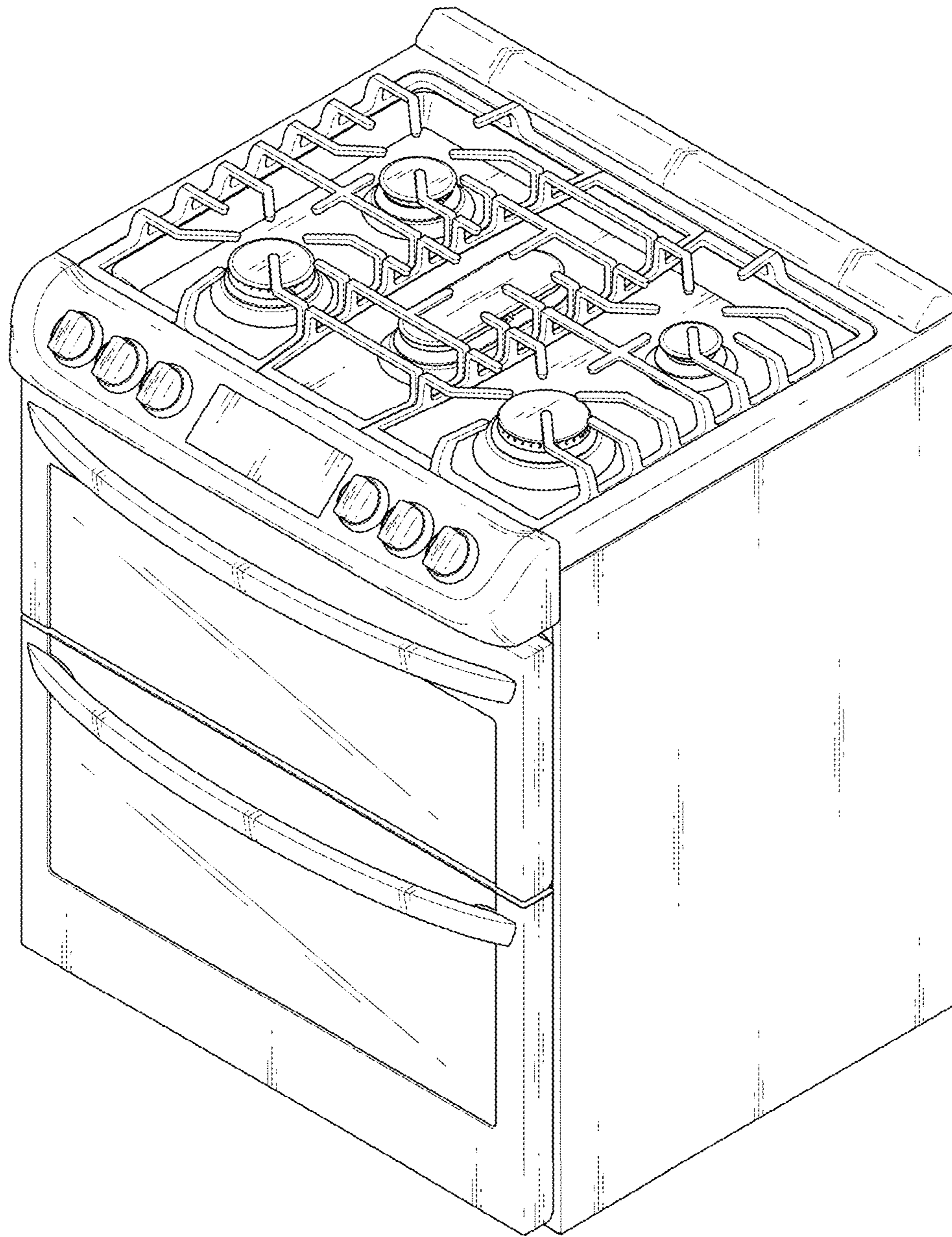


FIG. 2

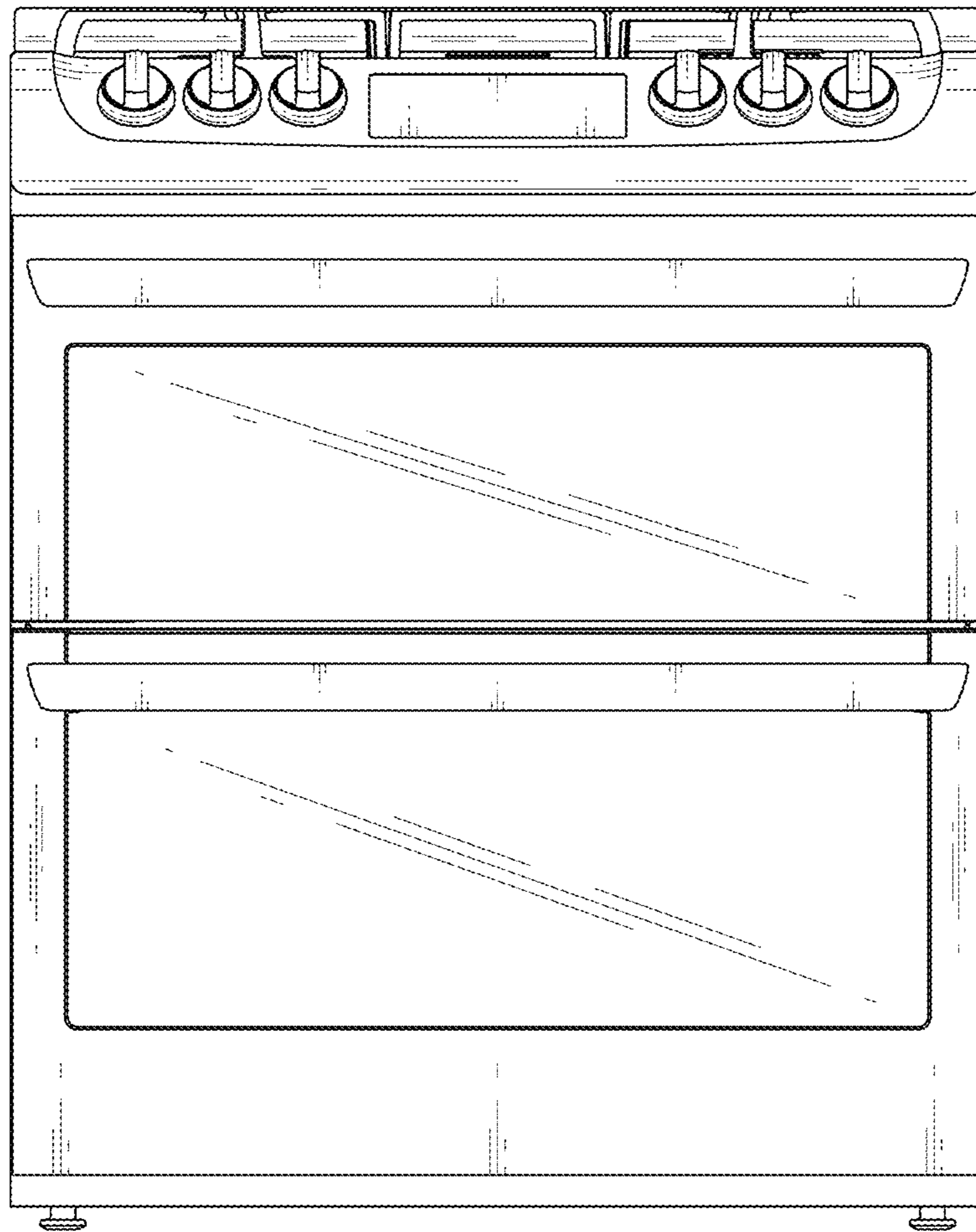


FIG. 3

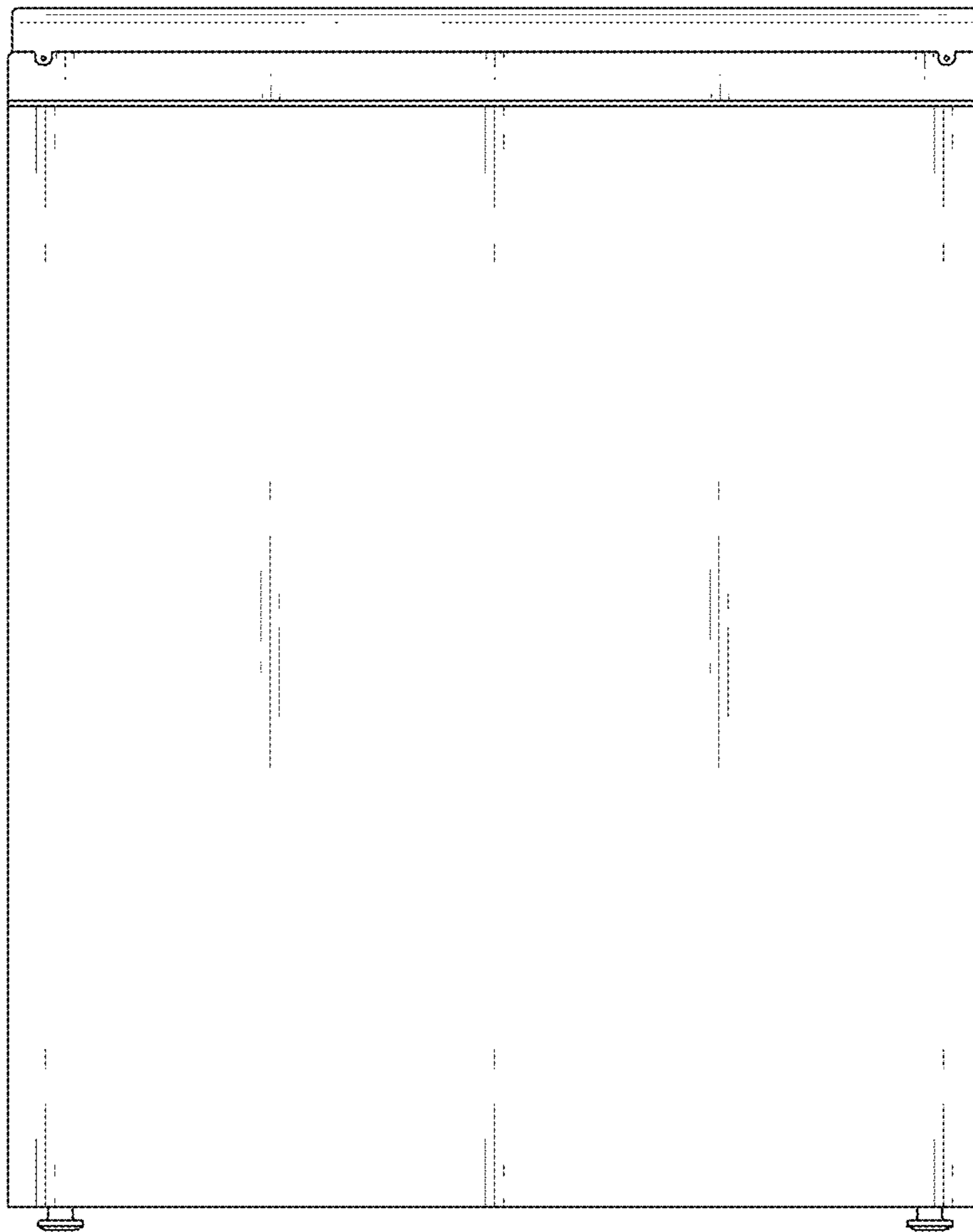


FIG. 4

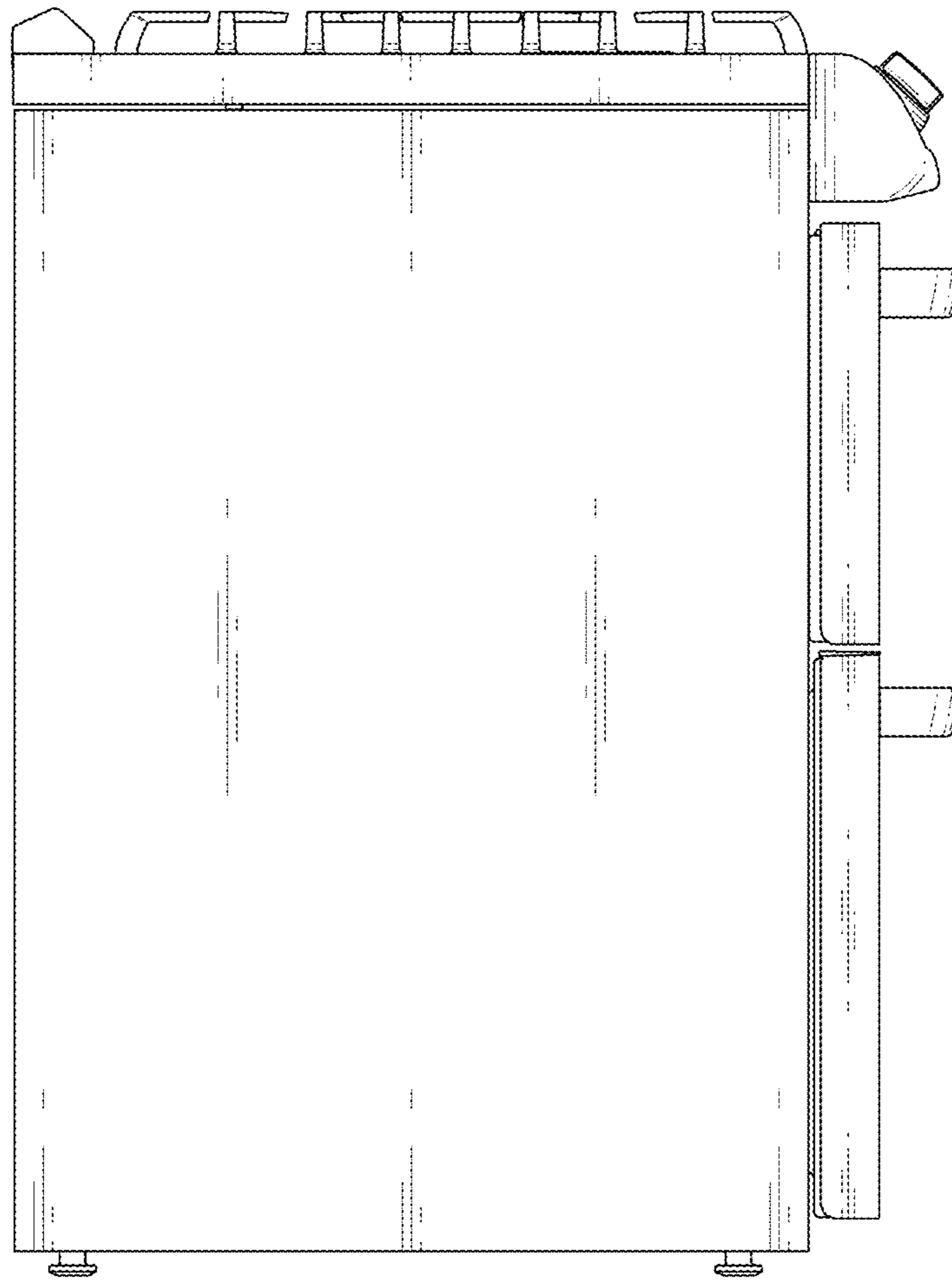


FIG. 5

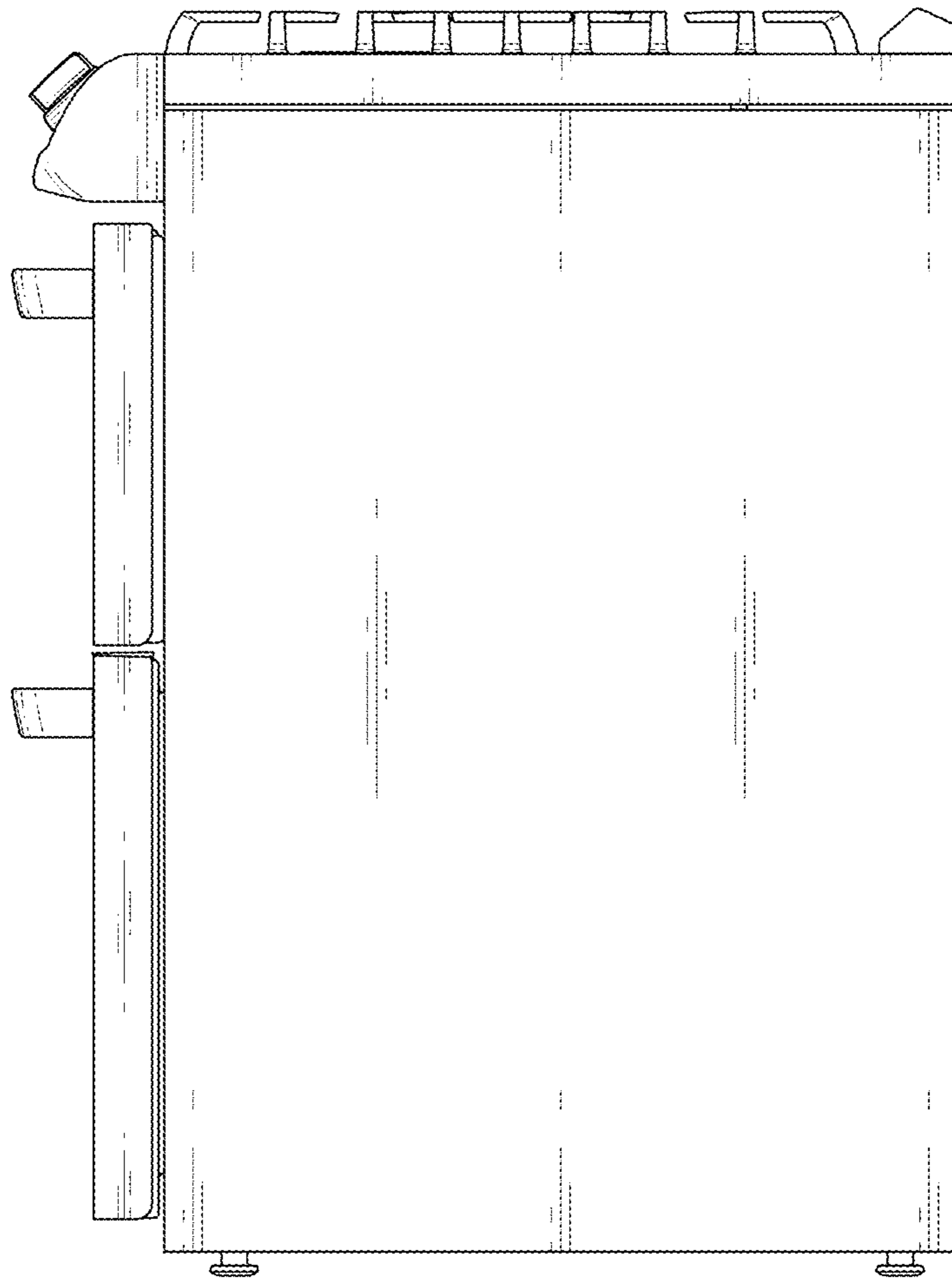


FIG. 6

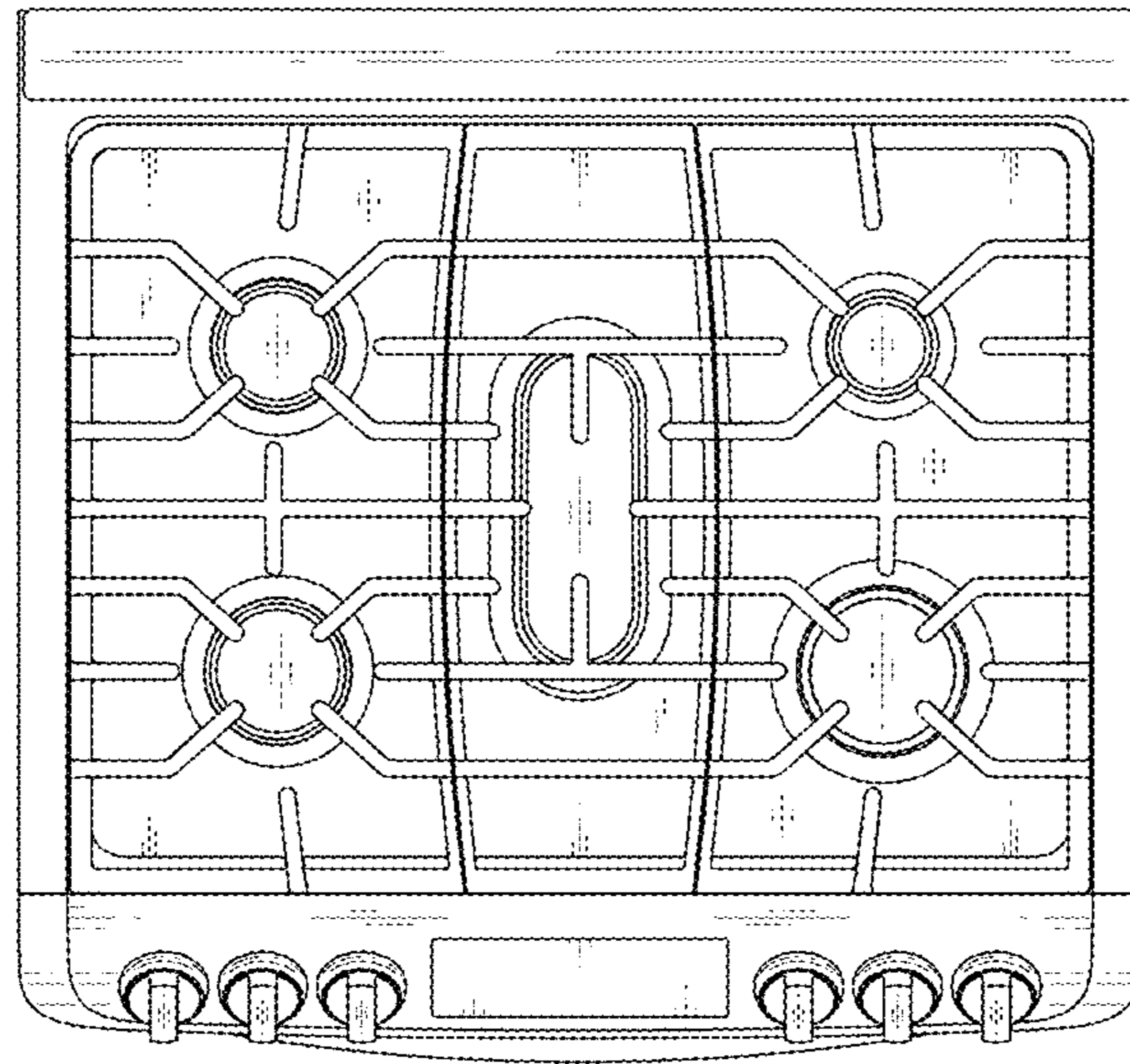


FIG. 7

