



US00D785397S

(12) **United States Design Patent**  
**Sawhney et al.**

(10) **Patent No.:** **US D785,397 S**

(45) **Date of Patent:** **\*\* May 2, 2017**

- (54) **PORTABLE BBQ GRILL**
- (71) Applicant: **POINTELEVATE, INC.**, City of Industry, CA (US)
- (72) Inventors: **Ravi Sawhney**, Thousand Oaks, CA (US); **Lance Hussey**, Thousand Oaks, CA (US)
- (73) Assignee: **RKS Design, Inc.**, Thousand Oaks, CA (US)
- (\*\*) Term: **14 Years**
- (21) Appl. No.: **29/513,452**
- (22) Filed: **Dec. 31, 2014**
- (51) **LOC (10) Cl.** ..... **07-02**
- (52) **U.S. Cl.**  
USPC ..... **D7/337**
- (58) **Field of Classification Search**  
USPC ..... D7/352, 353, 327-337, 362, 363, 409;  
126/25 R, 9 R  
CPC A47J 37/0611; A47J 37/0676; A47J 37/0763;  
A47J 37/0713; A47J 2037/0777  
See application file for complete search history.

- 5,423,308 A 6/1995 Huang
- 6,369,366 B1 4/2002 Mullen
- 6,439,111 B1 8/2002 Lu
- 6,484,624 B1 \* 11/2002 Wu ..... A47J 37/0611  
99/339
- 6,776,085 B1 \* 8/2004 Tang ..... A47J 37/0676  
219/386
- D519,775 S \* 5/2006 Chung ..... D7/332
- 7,367,332 B2 5/2008 Mosher, II et al.
- D600,065 S \* 9/2009 Tienor ..... D7/352

(Continued)

*Primary Examiner* — Susan Bennett Hattan

*Assistant Examiner* — Brett Miller

(74) *Attorney, Agent, or Firm* — Risso I.P.

(57) **CLAIM**

The ornamental design for a portable BBQ grill, as shown and described.

**DESCRIPTION**

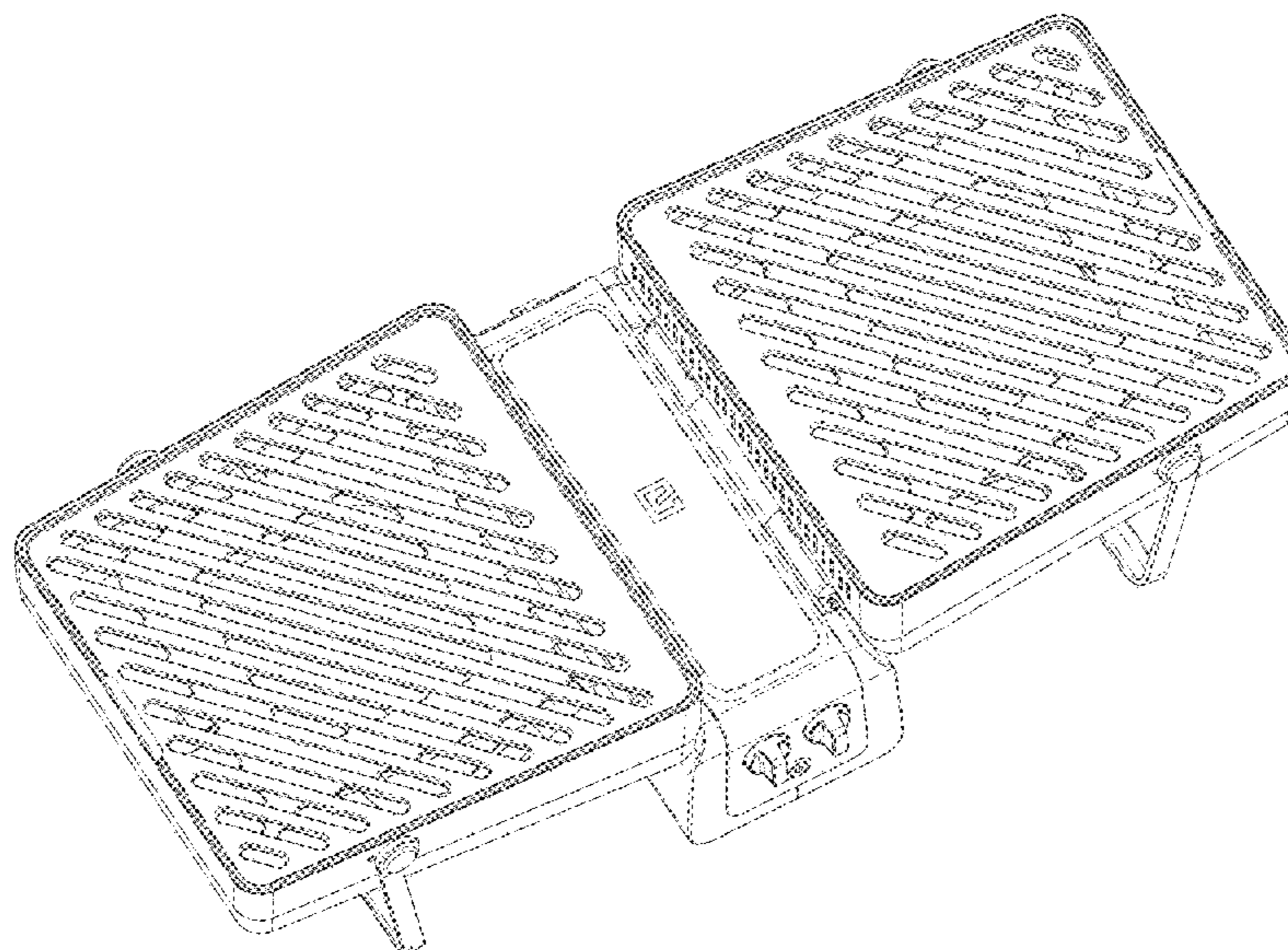
FIG. 1 is a right, side-view illustration of a portable BBQ grill depicting the BBQ grill in a closed configuration; FIG. 2 is a left, side-view illustration of the portable BBQ grill, depicting the BBQ grill in a closed configuration; FIG. 3 is a front-view illustration of the portable BBQ grill, depicting the BBQ grill in a closed configuration; FIG. 4 is a rear-view illustration of the portable BBQ grill, depicting the BBQ grill in a closed configuration; FIG. 5 is a top-view illustration of the portable BBQ grill, depicting the BBQ grill in a closed configuration; FIG. 6 is a bottom-view illustration of the portable BBQ grill, depicting the BBQ grill in a closed configuration; FIG. 7 is a top, perspective-view illustration of the portable BBQ grill, depicting the BBQ grill in an open configuration; and, FIG. 8 is a bottom, perspective-view illustration of the portable BBQ grill, depicting the BBQ grill in an open configuration.

**1 Claim, 8 Drawing Sheets**

(56) **References Cited**

**U.S. PATENT DOCUMENTS**

- 3,068,852 A 12/1962 Purtzer
- 3,297,016 A 1/1967 Rhodes
- 3,692,013 A 9/1972 Grafton et al.
- 3,789,821 A 2/1974 Fick et al.
- 4,046,132 A 9/1977 White
- 4,418,678 A 12/1983 Erickson
- 4,561,417 A 12/1985 Chen
- 4,582,041 A 4/1986 Erickson
- 4,587,948 A 5/1986 Haglund
- 4,884,499 A 12/1989 Rensch
- D339,500 S \* 9/1993 Chan ..... D7/328
- 5,313,928 A 5/1994 Rodgers et al.



(56)

**References Cited**

U.S. PATENT DOCUMENTS

7,775,202 B2 \* 8/2010 Chen ..... A47J 37/0623  
126/25 R  
D639,110 S \* 6/2011 Biondi ..... D7/362  
2004/0194774 A1 \* 10/2004 Nugent ..... A47J 37/0713  
126/41 R  
2004/0261623 A1 \* 12/2004 Huggler ..... A47J 37/0676  
99/275  
2006/0191895 A1 \* 8/2006 Li ..... A47J 37/0676  
219/497  
2007/0095337 A1 \* 5/2007 Mosher, II ..... F24C 3/14  
126/25 R  
2008/0142503 A1 \* 6/2008 Li ..... A47J 37/0676  
219/450.1  
2011/0192392 A1 8/2011 Chen  
2016/0206148 A1 \* 7/2016 Sawhney ..... A47J 37/0763

\* cited by examiner

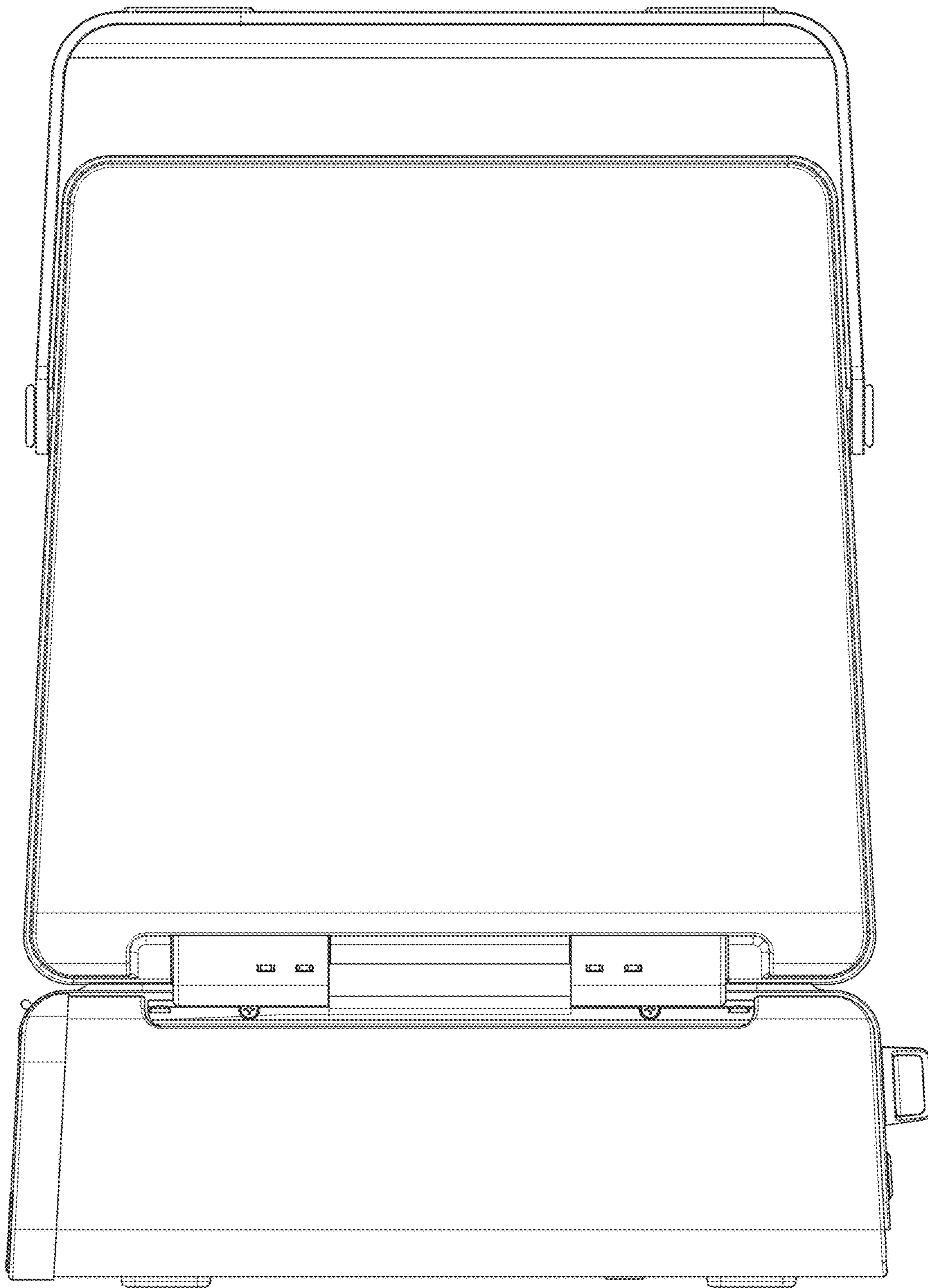


FIG. 1



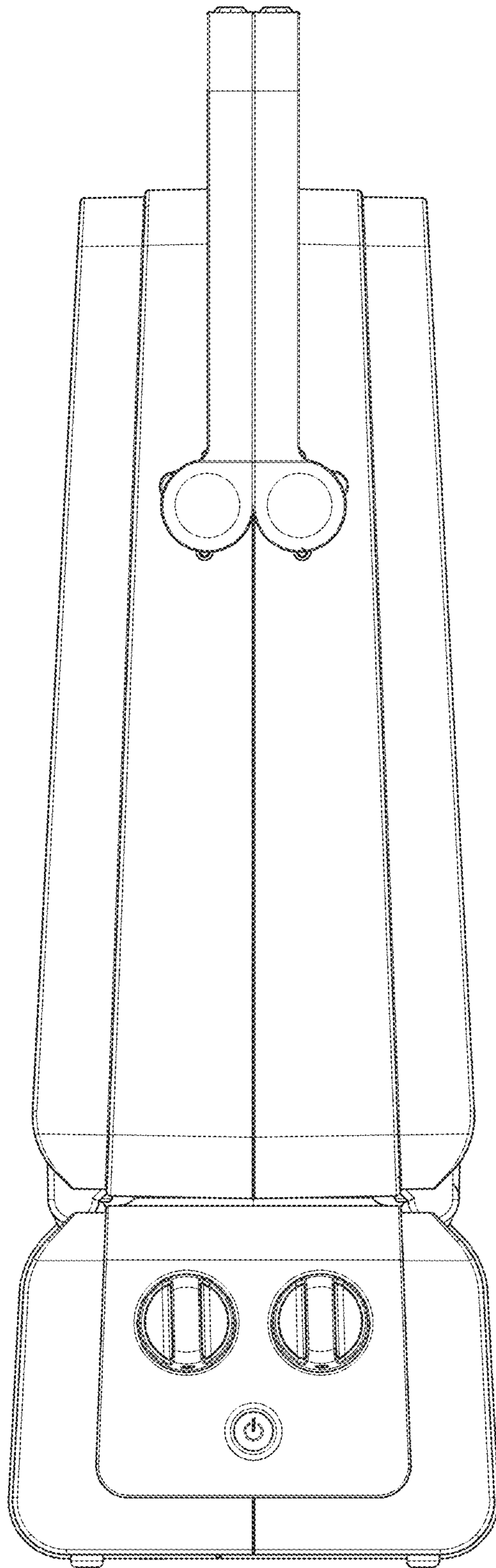


FIG. 2

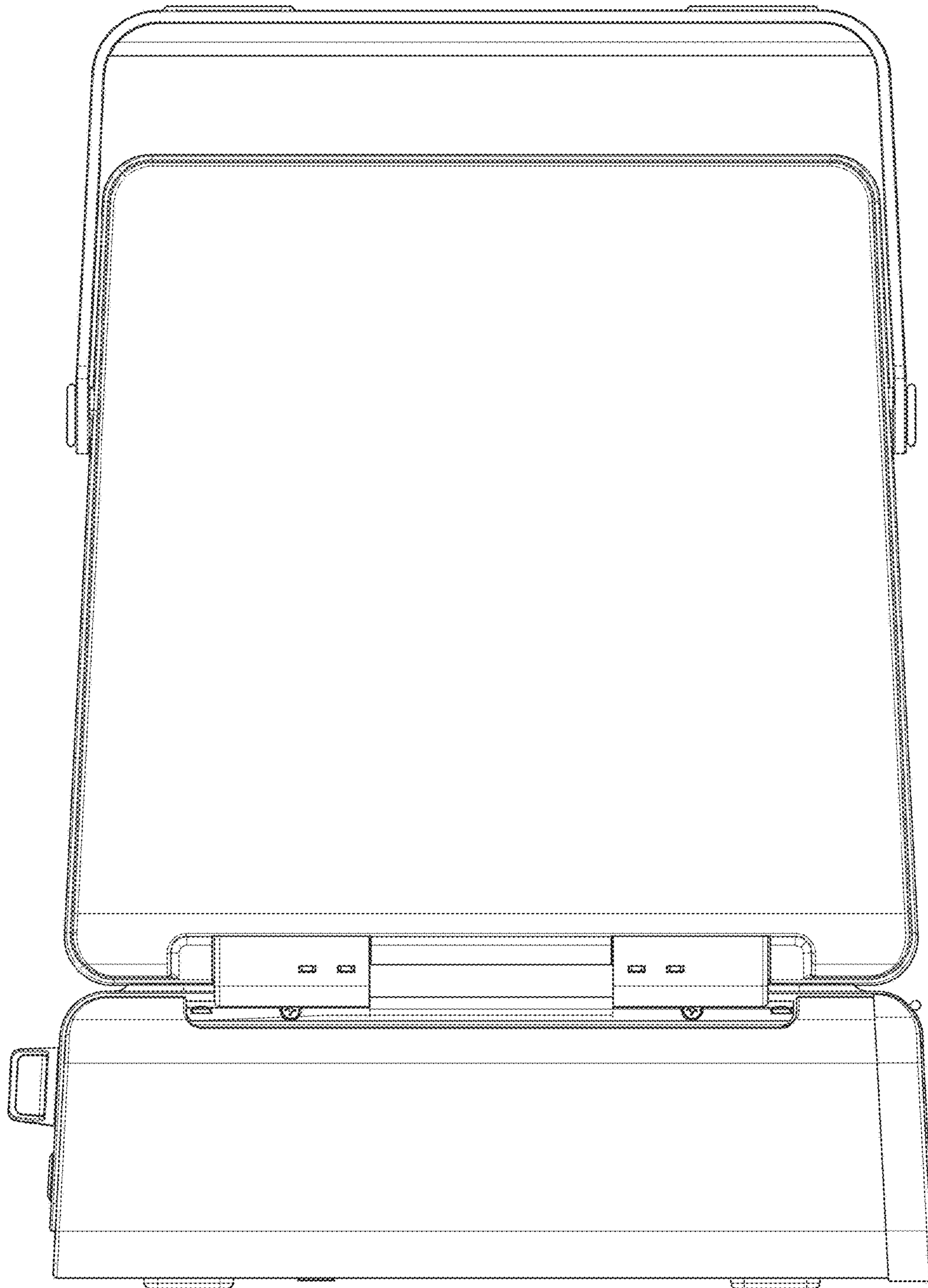


FIG. 3

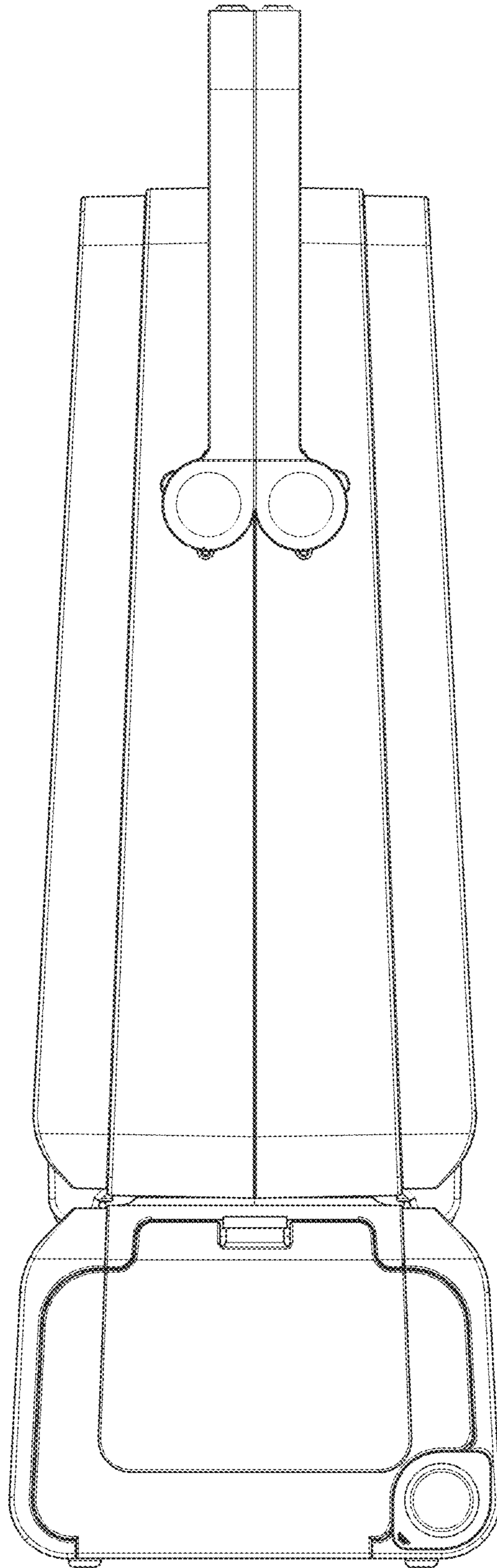


FIG. 4

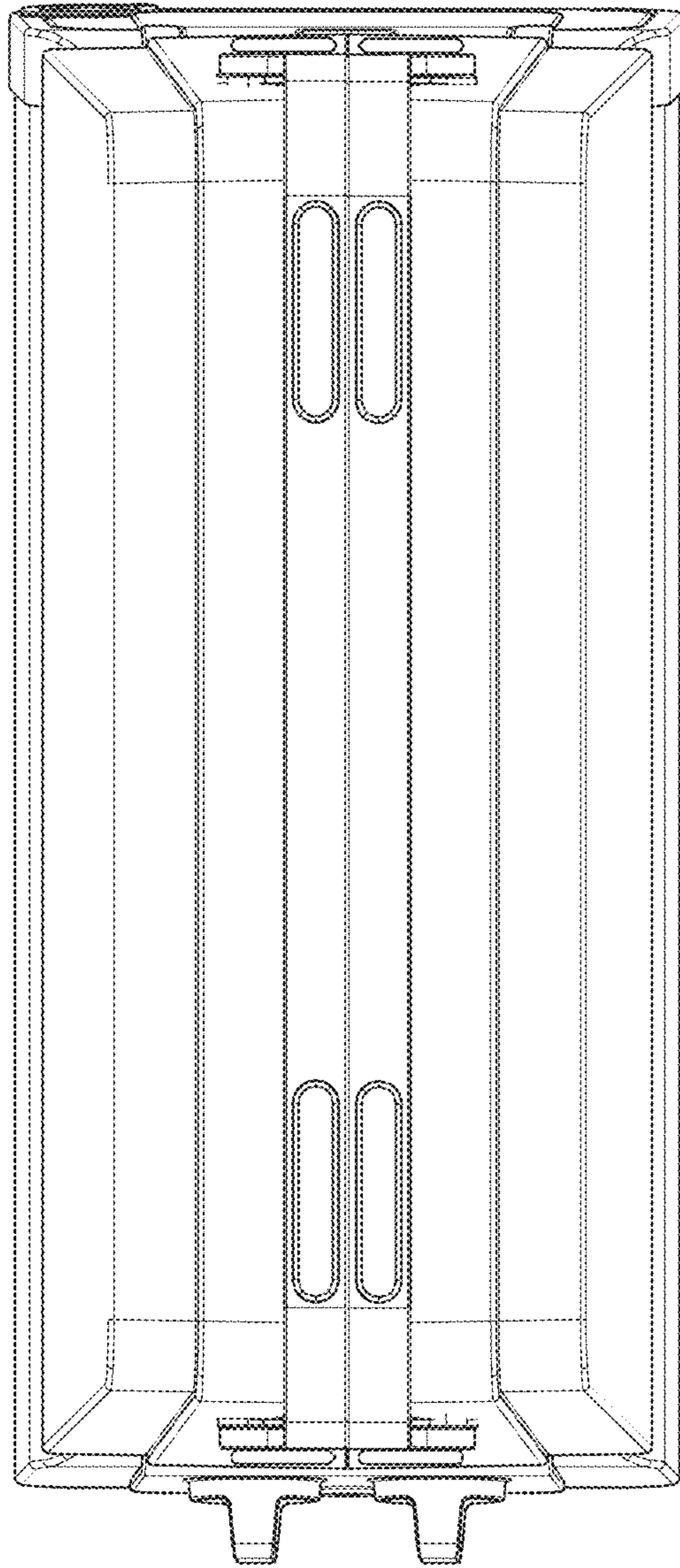


FIG. 5

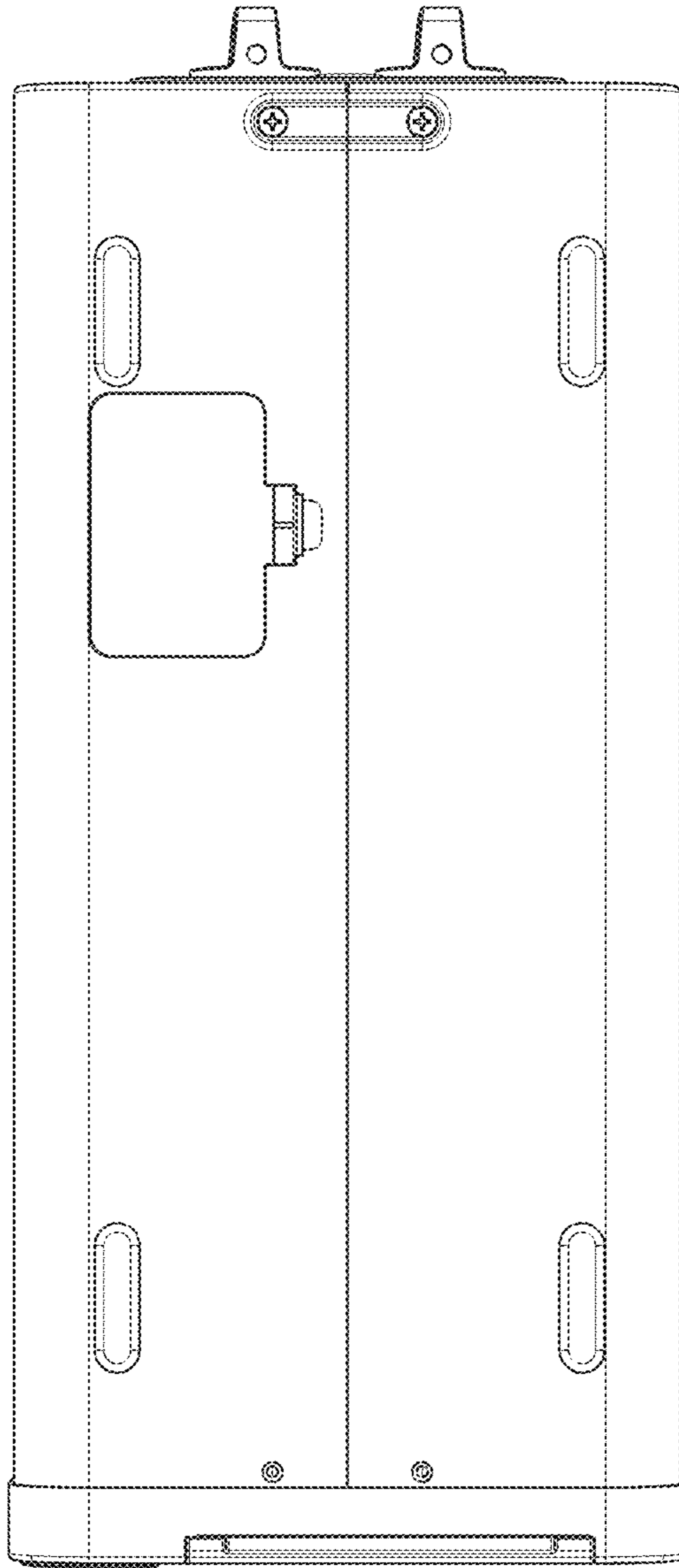


FIG. 6



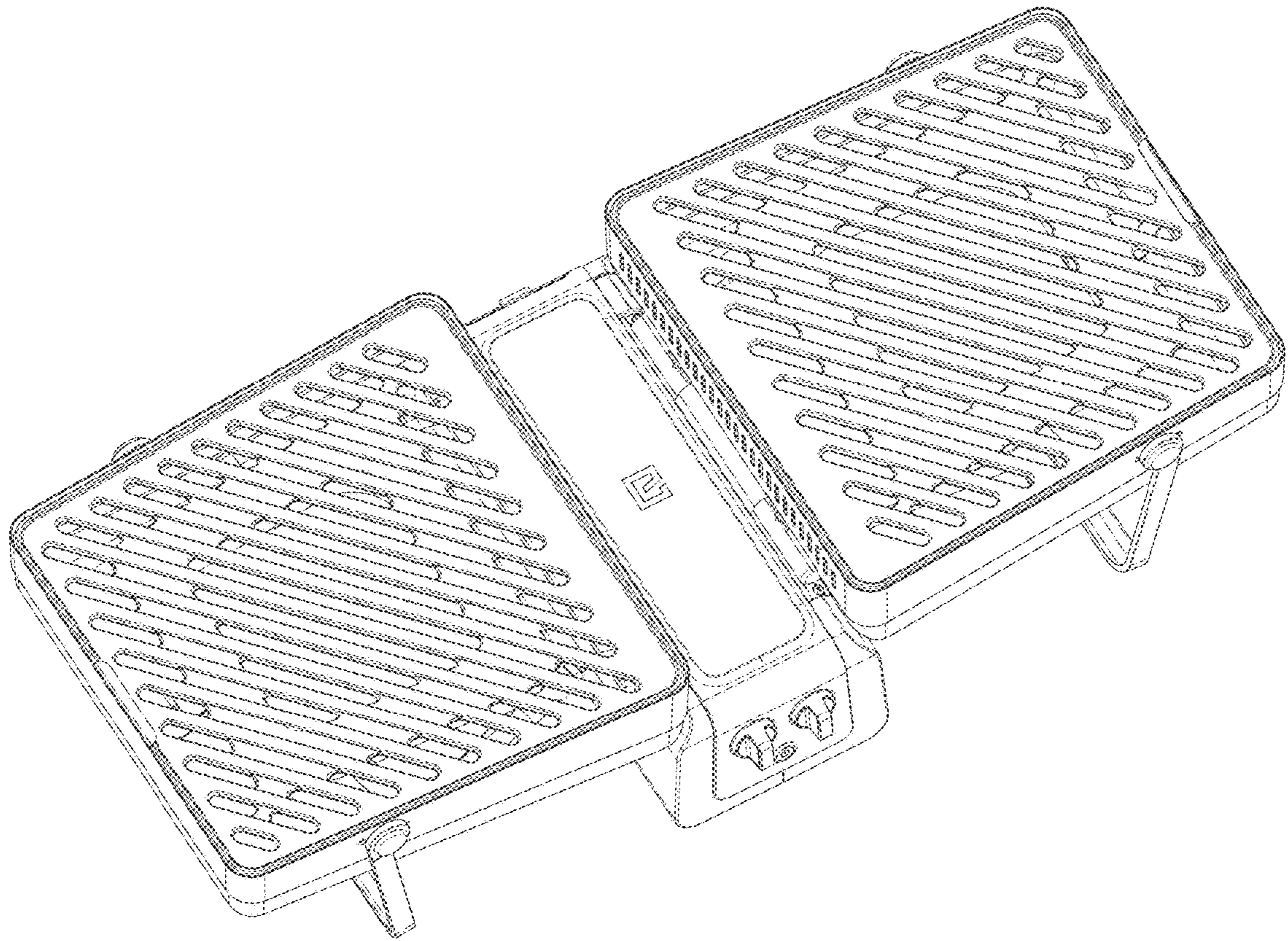


FIG. 7

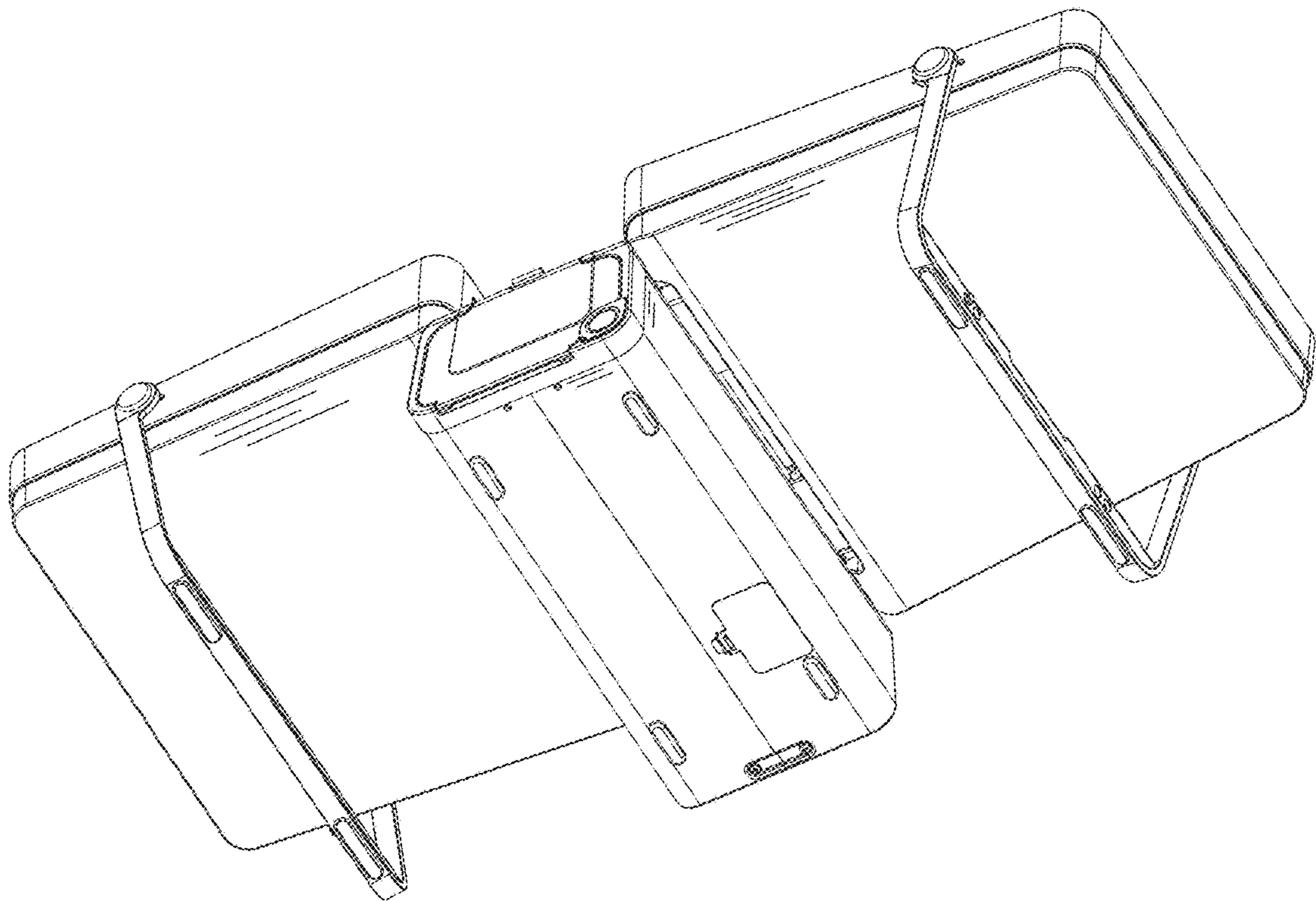


FIG. 8