



US00D785396S

(12) **United States Design Patent** (10) **Patent No.:** **US D785,396 S**  
**Bodum** (45) **Date of Patent:** **\*\* May 2, 2017**

(54) **COFFEE MAKER** 3,739,932 A \* 6/1973 Westover ..... A47J 45/10  
16/435  
(71) Applicant: **PI-Design AG**, Triengen (CH) 3,985,069 A \* 10/1976 Cavalluzzi ..... B65D 85/8043  
426/77  
(72) Inventor: **Jorgen Bodum**, Meggen (CH) D250,804 S \* 1/1979 Nilsson ..... D7/400  
4,629,866 A \* 12/1986 Proctor ..... A47J 27/002  
126/378.1  
(73) Assignee: **PI-Design AG** (CH) D302,093 S \* 7/1989 Palsby ..... D7/317  
D452,408 S \* 12/2001 Liu ..... D7/316  
D453,657 S \* 2/2002 Eklin ..... D7/315  
D515,349 S \* 2/2006 Gillisie ..... D7/317  
D536,205 S \* 2/2007 Jensen ..... D7/300  
D560,091 S \* 1/2008 Bodum ..... D7/312  
D567,005 S \* 4/2008 Bodum ..... D7/312  
(\*\*) Term: **15 Years**  
(21) Appl. No.: **29/544,673**  
(22) Filed: **Nov. 5, 2015**  
(Continued)

(30) **Foreign Application Priority Data**  
May 7, 2015 (WO) ..... DM/086414  
(51) **LOC (10) Cl.** ..... **07-01**  
(52) **U.S. Cl.**  
USPC ..... **D7/319**  
(58) **Field of Classification Search**  
USPC ..... D7/316-322, 598, 600, 536, 507;  
222/188, 465.1, 713; D23/209; 99/285,  
99/304, 292  
CPC .... A47J 41/0027; A47J 31/50; A47J 45/0077;  
A47J 31/053; A47J 31/20; A47J 31/02;  
A47J 45/10; A47J 31/14; A47J 411/02;  
A47J 31/38; A47J 31/306; A47G 19/22;  
A47G 19/12  
See application file for complete search history.

**FOREIGN PATENT DOCUMENTS**  
WO DM/085858 3/2015  
**OTHER PUBLICATIONS**  
Bodum, U.S. Appl. No. 29/539,231, filed Sep. 11, 2015, 11 pages.  
Select portions of Bodum Collection Catalogue, Jan. 2015, 6 pages.

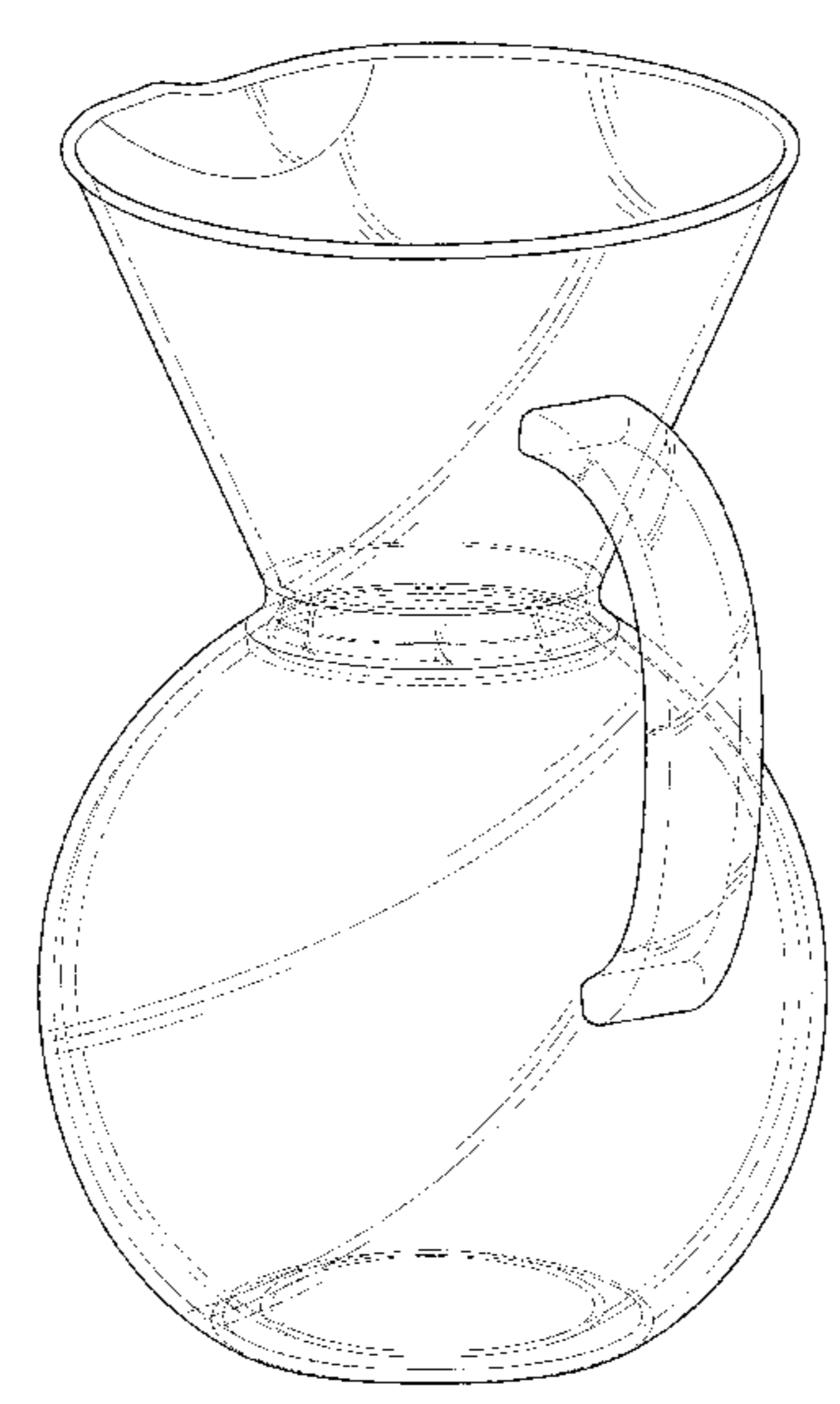
*Primary Examiner* — Marianne Pandozzi  
(74) *Attorney, Agent, or Firm* — McDonnell Boehnen  
Hulbert & Bergoff LLP

(57) **CLAIM**  
The ornamental design for a coffee maker, as shown and  
described.

**DESCRIPTION**  
FIG. 1 is a perspective view of a coffee maker showing my  
new design;  
FIG. 2 is a front view thereof;  
FIG. 3 is a rear view thereof;  
FIG. 4 is a left side view thereof;  
FIG. 5 is a right side view thereof;  
FIG. 6 is a top view thereof; and,  
FIG. 7 is a bottom view thereof.

**1 Claim, 7 Drawing Sheets**

(56) **References Cited**  
**U.S. PATENT DOCUMENTS**  
2,411,340 A \* 11/1946 Schlumbohm ..... A47G 19/12  
222/465.1  
2,705,086 A \* 3/1955 Schlumbohm ..... A47J 45/10  
215/396  
D205,236 S \* 7/1966 Ilg ..... 141/331  
3,334,574 A \* 8/1967 Douglas ..... A47J 31/02  
210/455  
D224,034 S \* 6/1972 Douglas ..... D7/318



(56)

**References Cited**

U.S. PATENT DOCUMENTS

D567,009 S *	4/2008	Bodum .....	D7/312
D568,086 S *	5/2008	Brown .....	D7/317
D580,696 S *	11/2008	Bodum .....	D7/316
D598,234 S *	8/2009	Bodum .....	D7/317
D611,754 S *	3/2010	Bodum .....	D7/310
D655,563 S *	3/2012	Kern .....	D7/317
D661,939 S *	6/2012	Kern .....	D7/316
D742,160 S *	11/2015	Bodum .....	D7/316
D745,739 S *	12/2015	Abadi .....	D27/162
D746,092 S *	12/2015	Melzer .....	D7/325
D752,376 S *	3/2016	Melzer .....	D7/317

\* cited by examiner

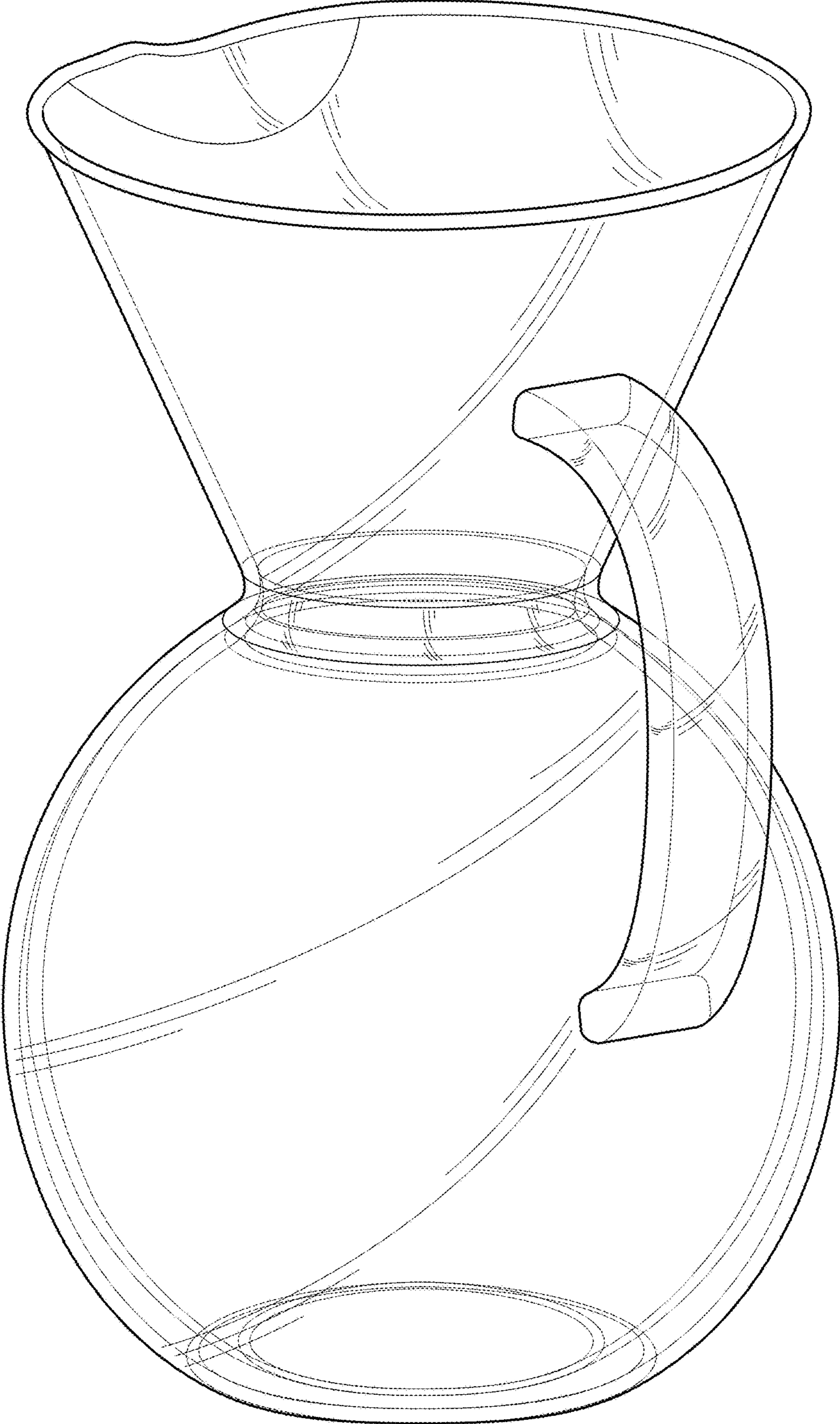


FIG. 1

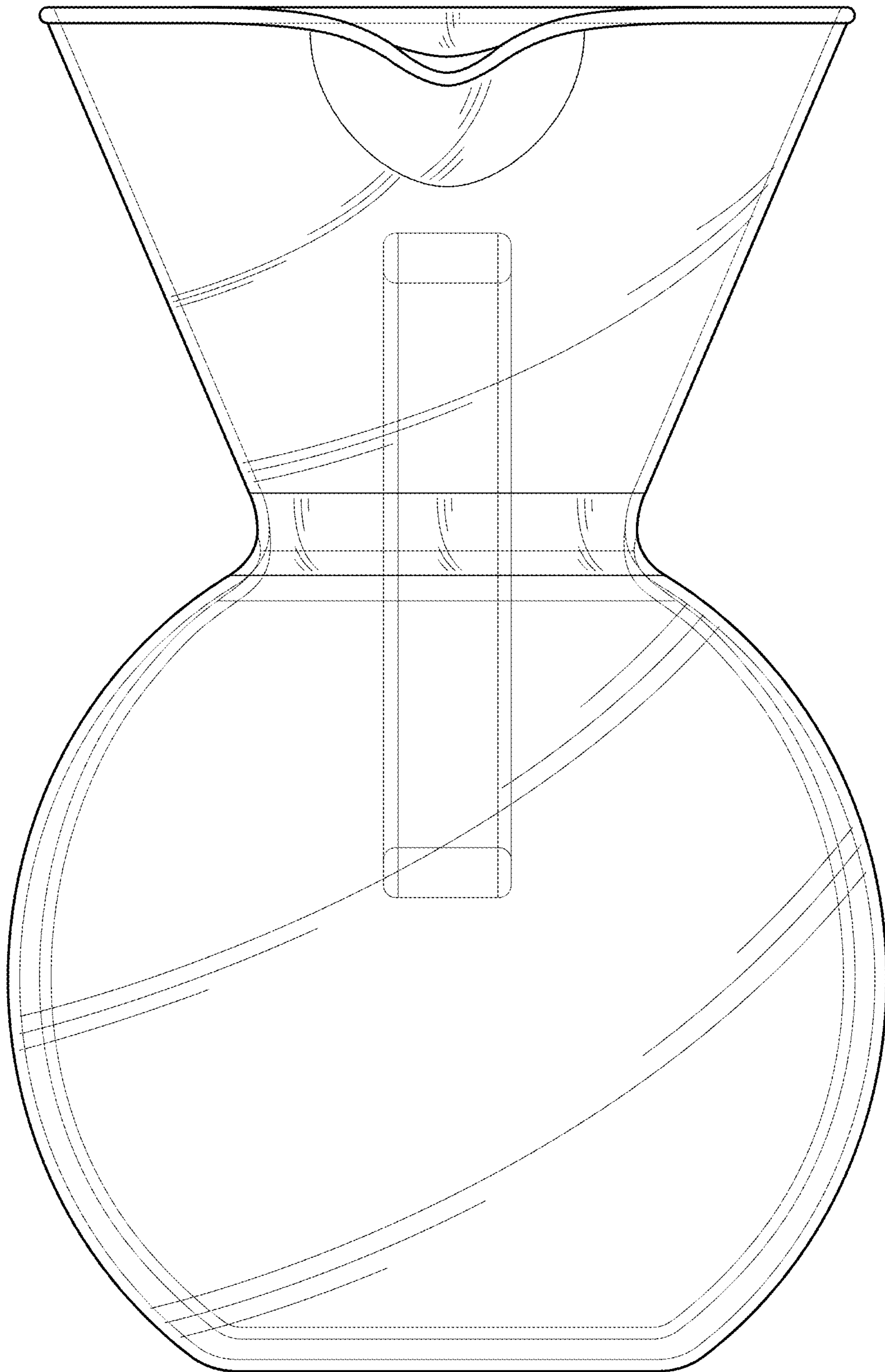


FIG. 2



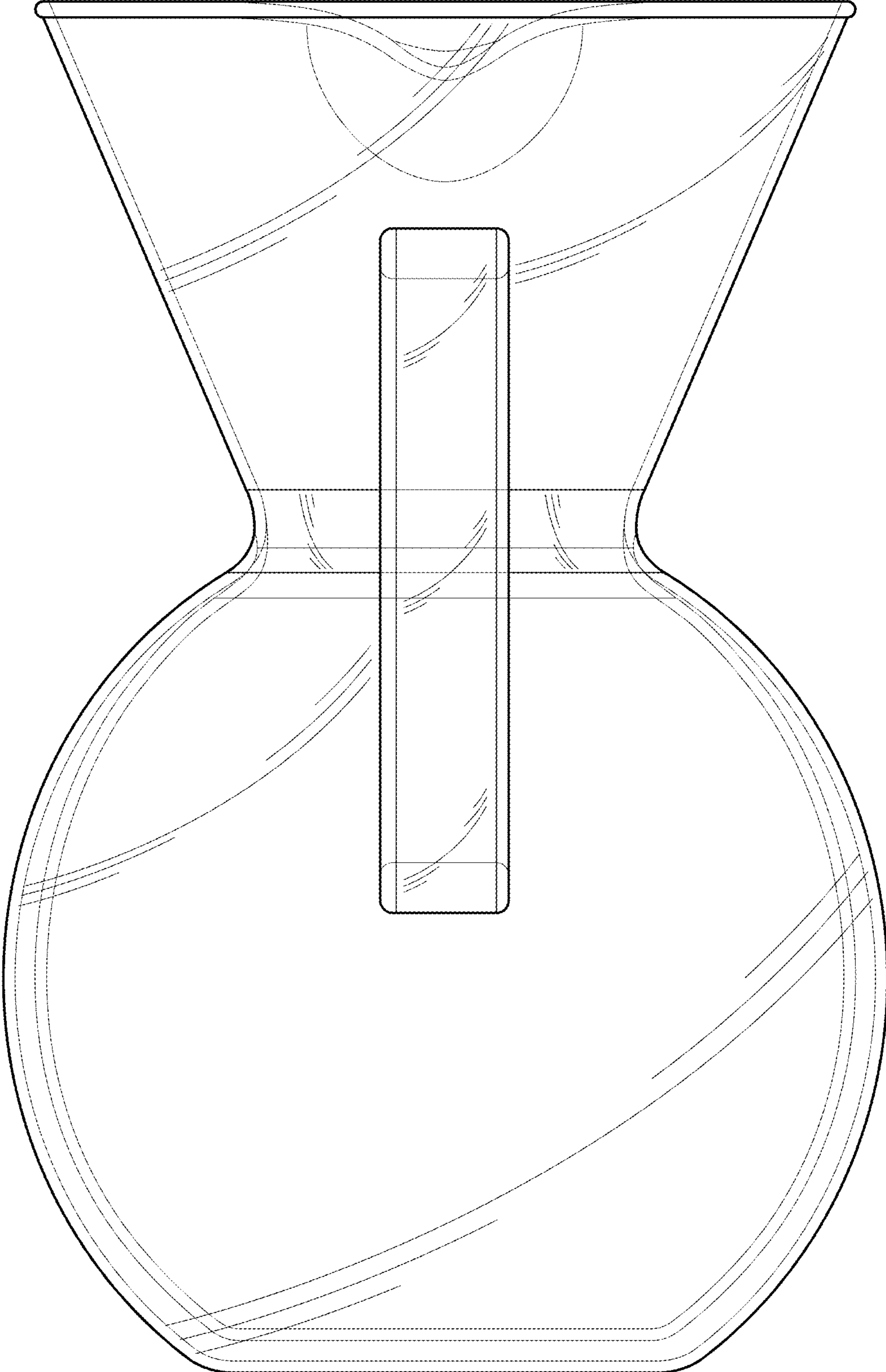


FIG. 3

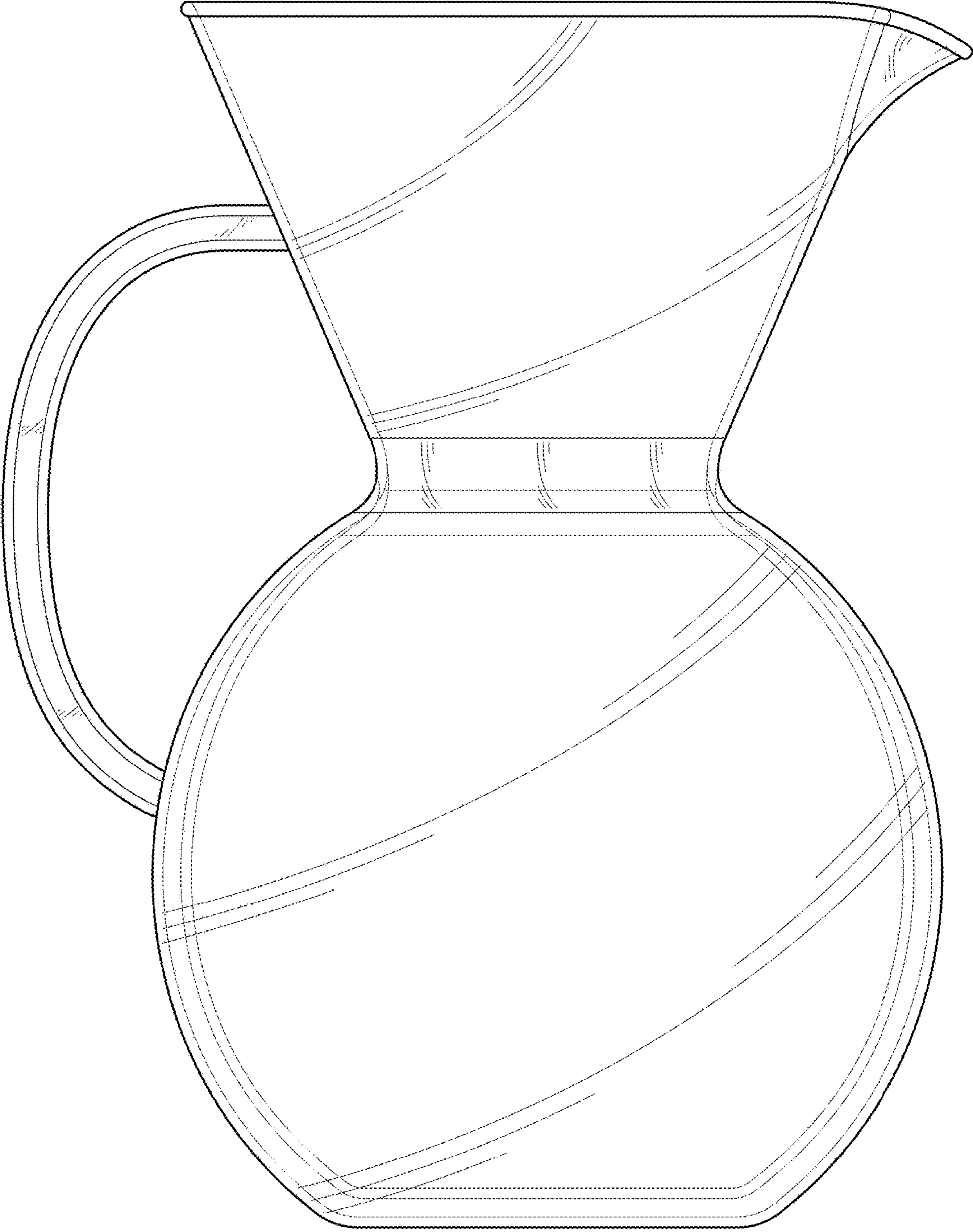


FIG. 4

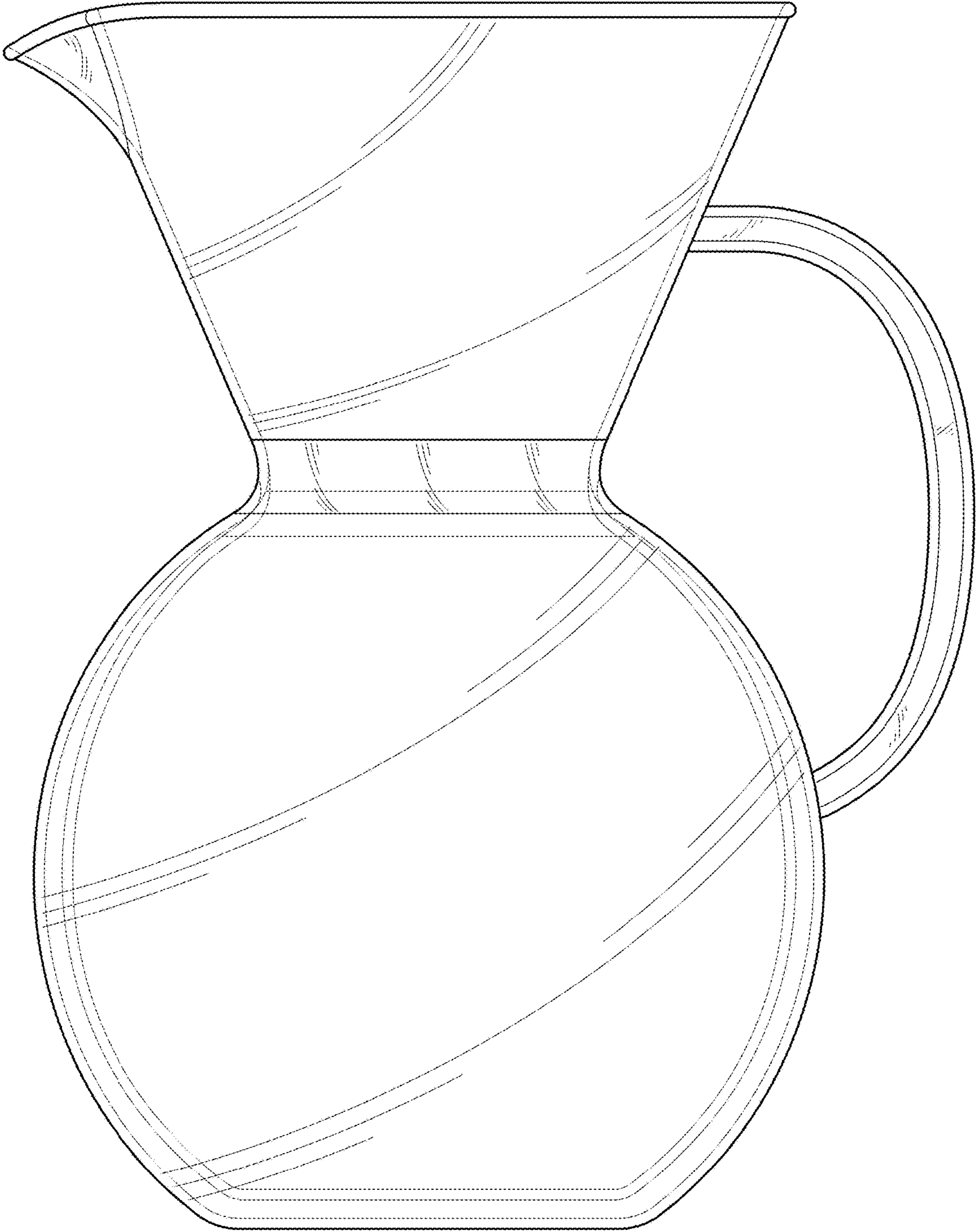


FIG. 5

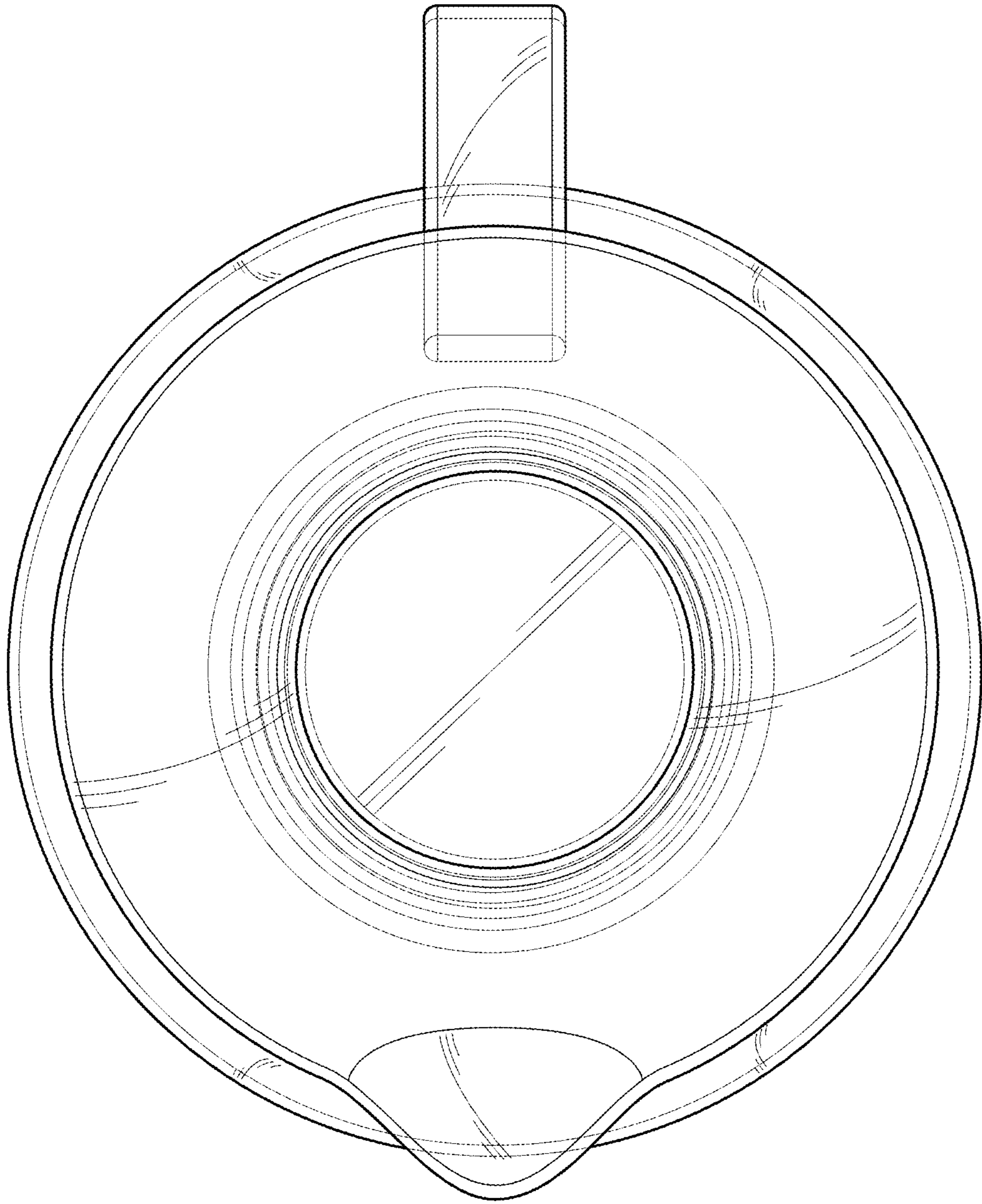


FIG. 6



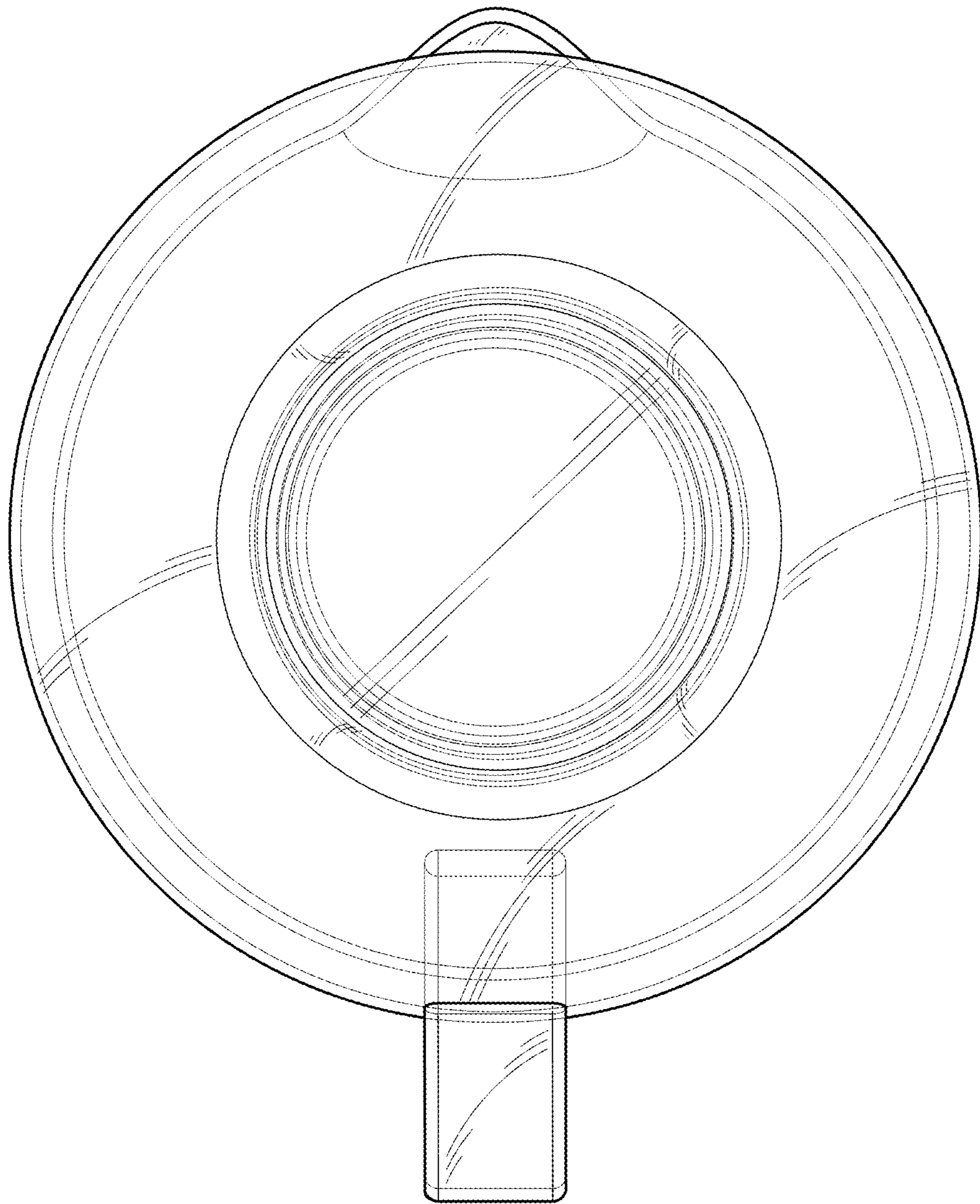


FIG. 7