



US00D785394S

(12) **United States Design Patent** (10) **Patent No.:** **US D785,394 S**  
**Palermo et al.** (45) **Date of Patent:** **\*\* May 2, 2017**

(54) **HOT BEVERAGE APPLIANCE**  
(71) Applicant: **Sunbeam Products, Inc.**, Boca Raton, FL (US)  
(72) Inventors: **Joseph Palermo**, Boynton Beach, FL (US); **Augusto A. Picozza**, Boca Raton, FL (US); **Sandra Lin**, Appleton, WI (US); **Damien Vizcarra**, Pasadena, CA (US)  
(73) Assignee: **Sunbeam Products, Inc.**, Boca Raton, FL (US)

D317,546 S \* 6/1991 Rakocy ..... D7/309  
D343,758 S \* 2/1994 Beeren ..... D7/309  
5,335,589 A \* 8/1994 Yerves, Jr. .... A47G 19/14  
215/6  
D387,245 S \* 12/1997 Hippen ..... D7/309  
D511,066 S \* 11/2005 Garner ..... D7/309  
D604,985 S \* 12/2009 Taylor ..... D7/309  
D670,132 S \* 11/2012 De'Longhi ..... D7/309  
D720,567 S \* 1/2015 Cauwood ..... D7/306  
D721,911 S \* 2/2015 Cauwood ..... D7/306  
D738,152 S \* 9/2015 Grasselli ..... D7/309  
D739,169 S \* 9/2015 Shao ..... D7/309  
D760,008 S \* 6/2016 Moon ..... D7/306  
D774,348 S \* 12/2016 Veeravagu ..... D7/306  
D774,820 S \* 12/2016 Yang ..... D7/306  
D777,499 S \* 1/2017 McConnell ..... D7/309

(\*\*) Term: **15 Years**

\* cited by examiner

(21) Appl. No.: **29/556,349**

*Primary Examiner* — Marianne Pandozzi

(22) Filed: **Feb. 29, 2016**

(74) *Attorney, Agent, or Firm* — Michael J. Corrigan

(51) **LOC (10) Cl.** ..... **07-01**

(57) **CLAIM**

(52) **U.S. Cl.**  
USPC ..... **D7/306; D7/311; D7/309**

The ornamental design for a hot beverage appliance, as shown and described.

(58) **Field of Classification Search**  
USPC ..... D7/305-311, 313; D15/82; 222/129.1, 222/146.6; 99/295

**DESCRIPTION**

CPC ..... A47J 31/44; A47J 31/4403; A47J 31/46; B67D 1/36; B67D 2210/0065; B67D 1/0864  
See application file for complete search history.

FIG. 1 is a front perspective view of a hot beverage appliance showing our new design;  
FIG. 2 is a front view thereof;  
FIG. 3 is a rear view thereof;  
FIG. 4 is a left side view thereof;  
FIG. 5 is a right side view thereof; and,  
FIG. 6 is a top plan view thereof.

(56) **References Cited**

**U.S. PATENT DOCUMENTS**

The broken lines in the drawing depict portions of the hot beverage appliance that form no part of the claimed design.

D239,758 S \* 5/1976 Claxton et al. .... D7/309  
4,748,901 A \* 6/1988 Burmeister ..... A47J 31/0573  
99/295

**1 Claim, 3 Drawing Sheets**

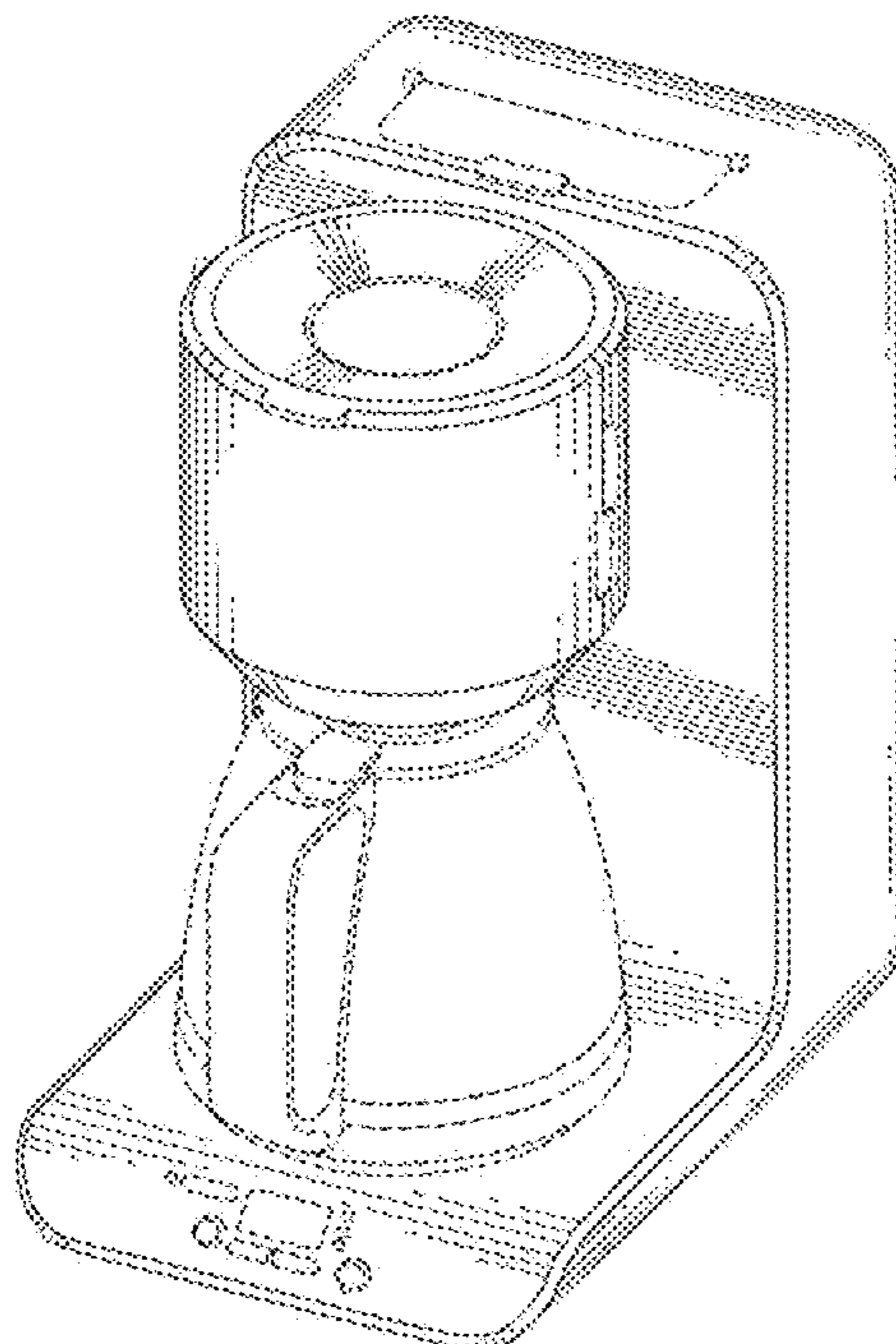


FIG. 1

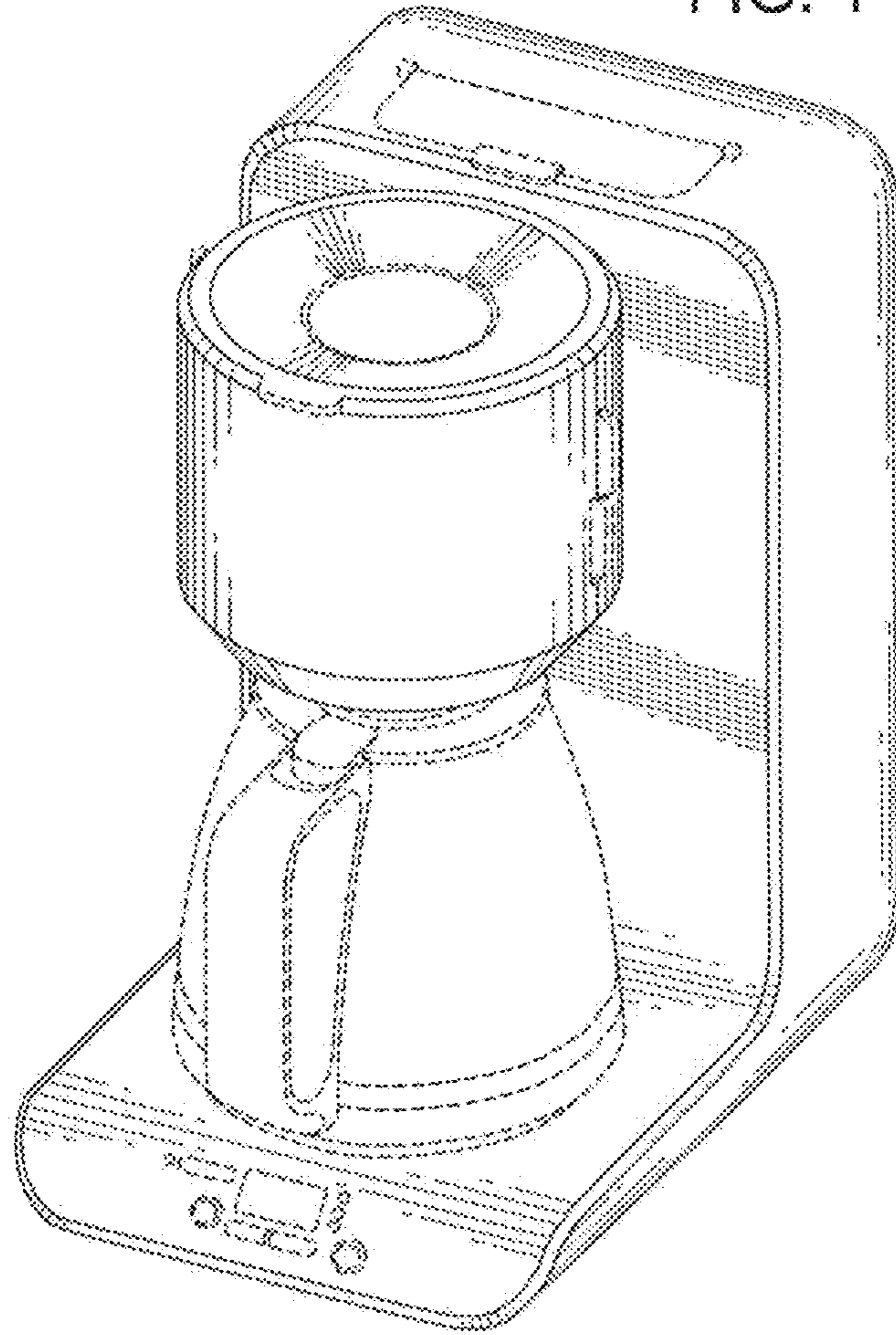


FIG. 6

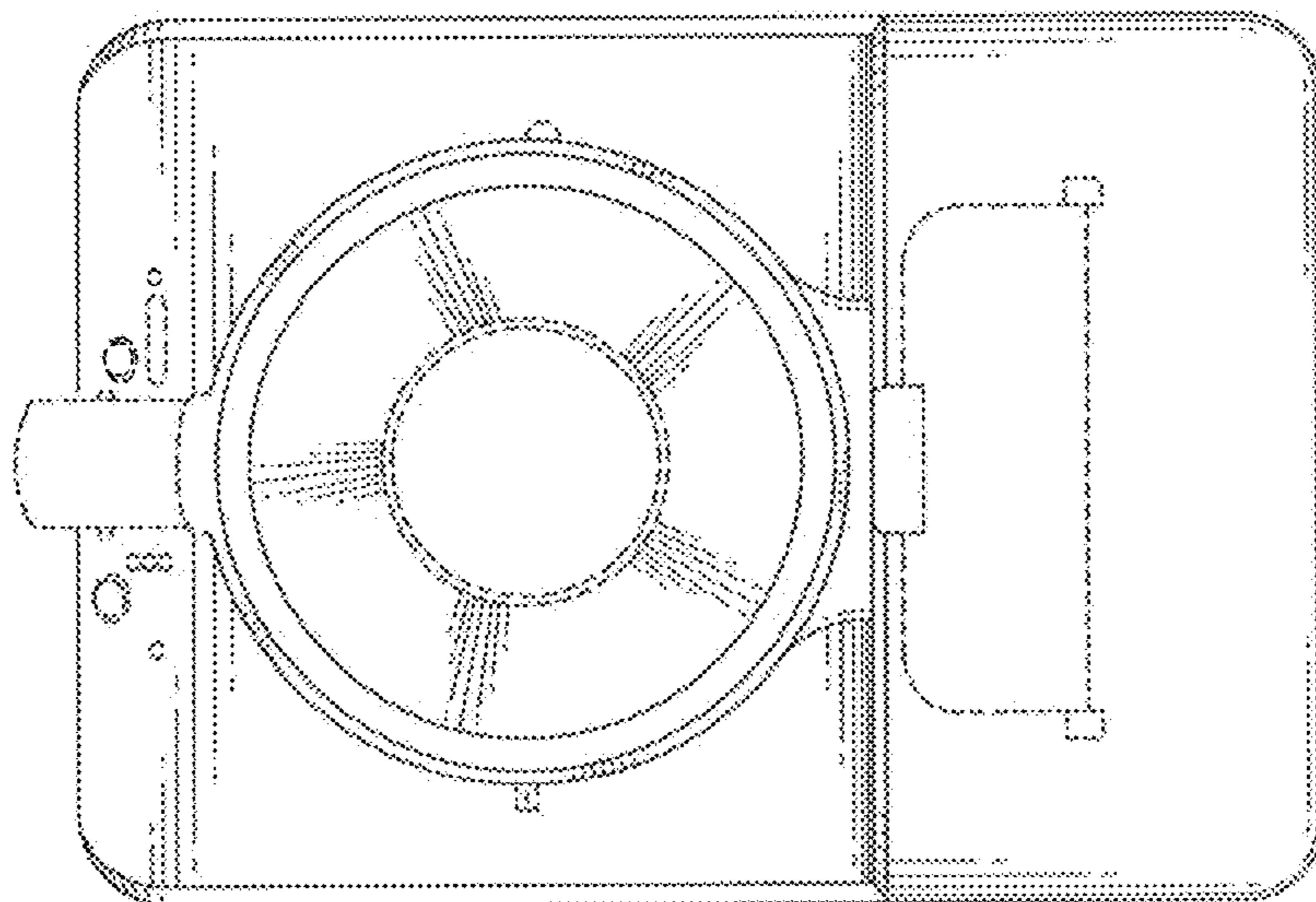


FIG. 3

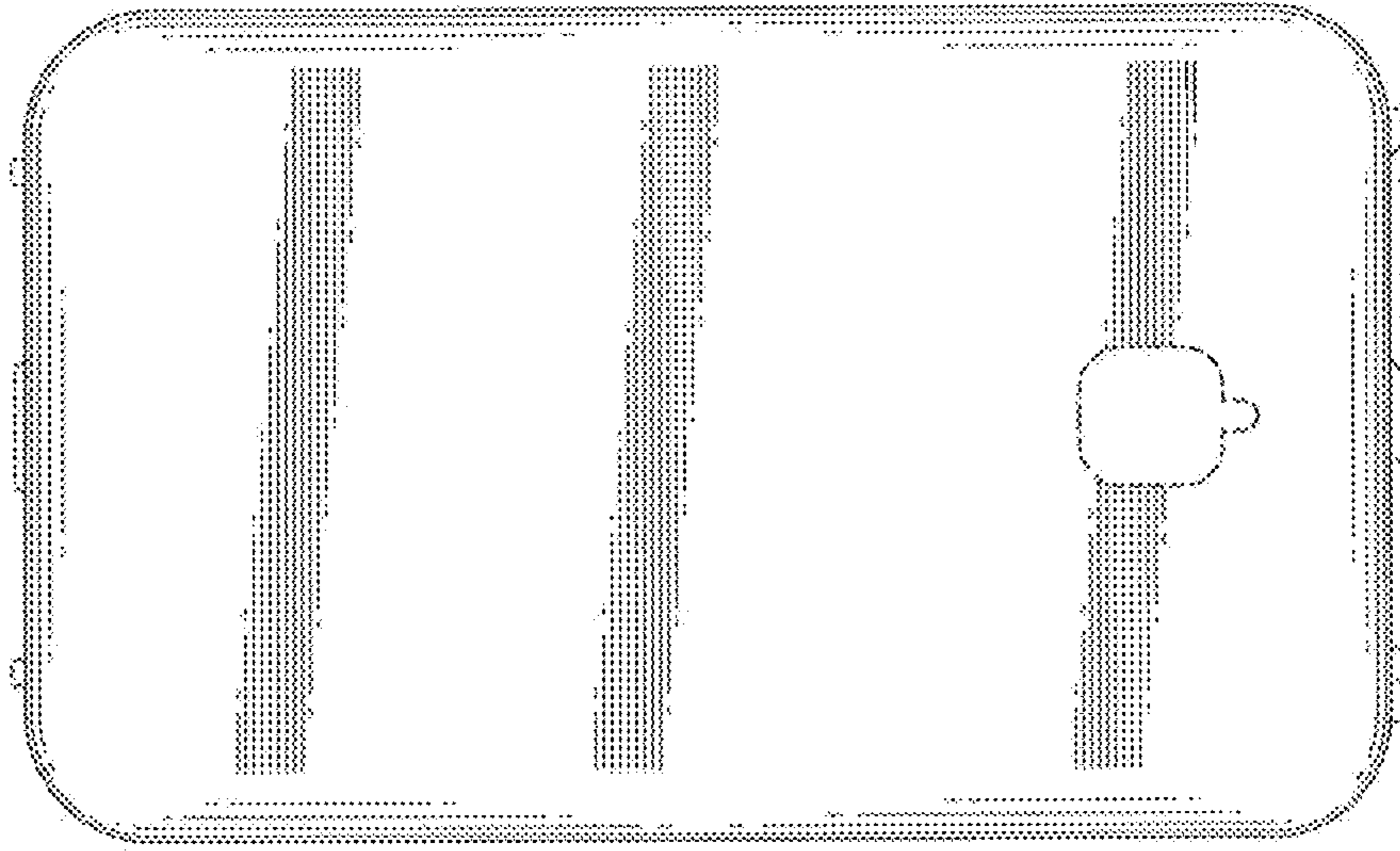


FIG. 2

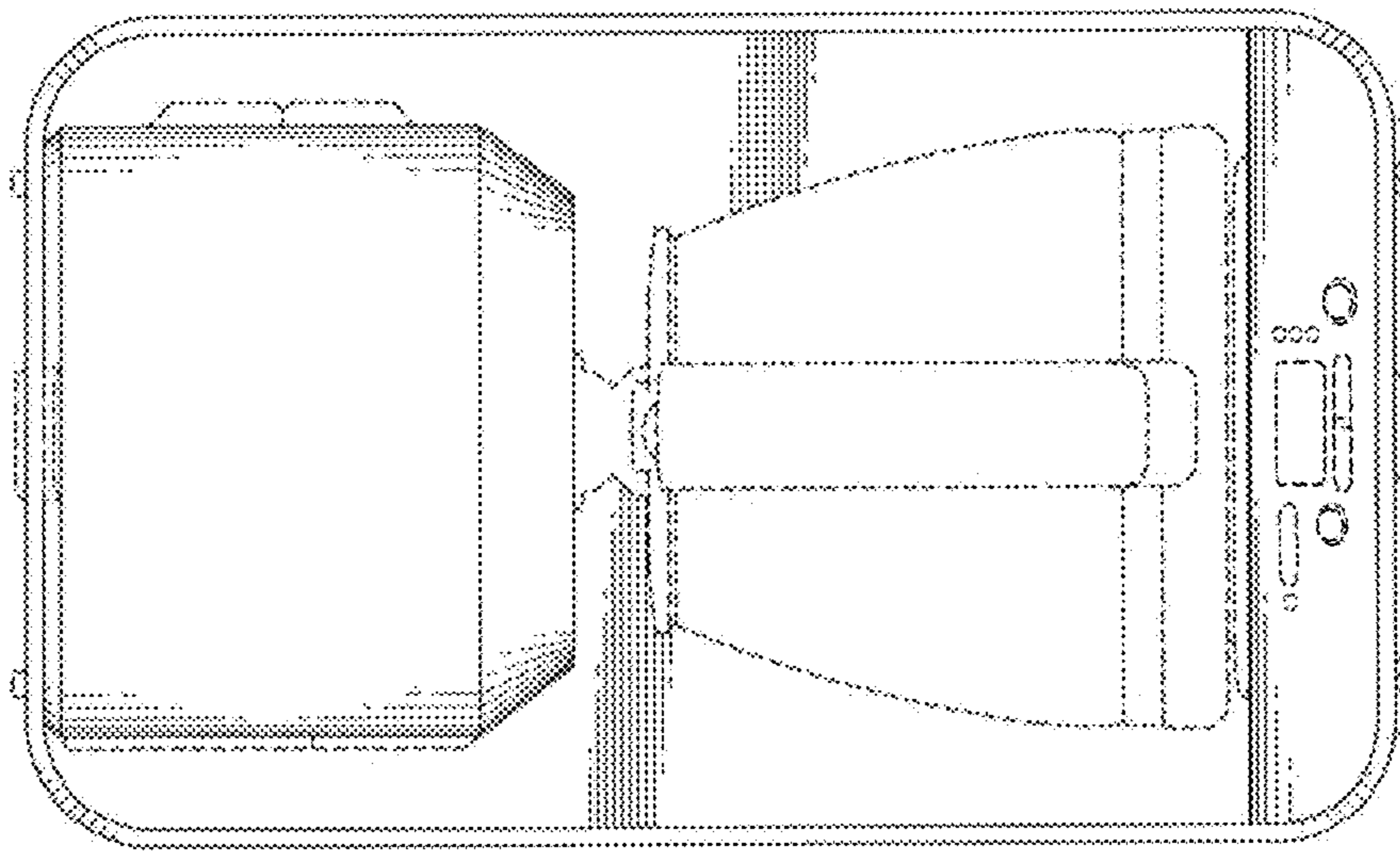


FIG. 5

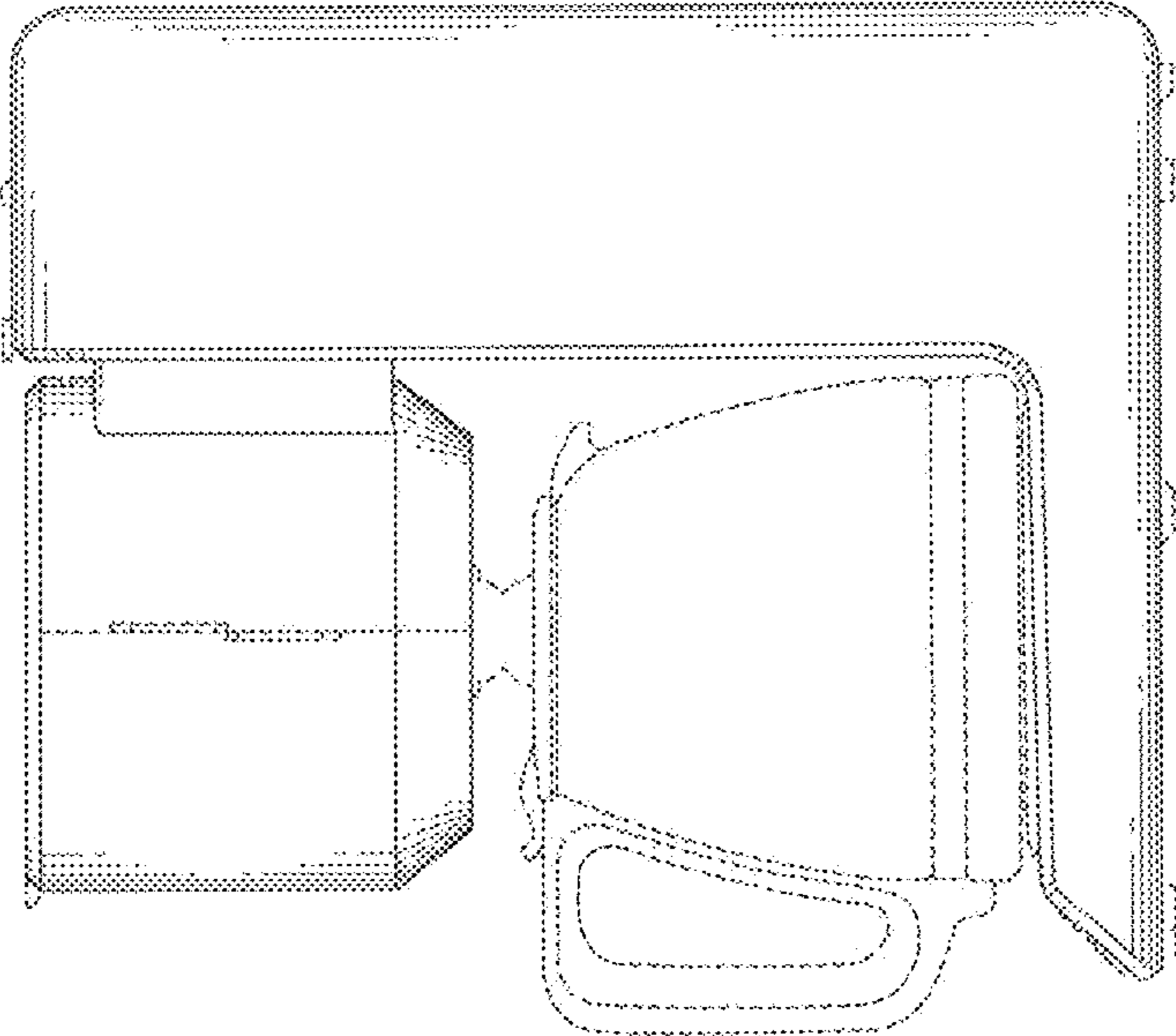


FIG. 4

