



US00D785393S

(12) **United States Design Patent** (10) **Patent No.:** **US D785,393 S**
Palermo et al. (45) **Date of Patent:** **** May 2, 2017**

(54) **HOT BEVERAGE APPLIANCE**
(71) Applicant: **Sunbeam Products, Inc.**, Boca Raton, FL (US)
(72) Inventors: **Joseph Palermo**, Boynton Beach, FL (US); **Augusto A. Picozza**, Boca Raton, FL (US); **Sandra Lin**, Appleton, WI (US); **Damien Vizcarra**, Pasadena, CA (US)
(73) Assignee: **Sunbeam Products, Inc.**, Boca Raton, FL (US)

D317,546 S * 6/1991 Rakocy D7/309
D343,758 S * 2/1994 Beeren D7/309
5,335,589 A * 8/1994 Yerves, Jr. A47G 19/14
215/6
D387,245 S * 12/1997 Hippen D7/309
D511,066 S * 11/2005 Garner D7/309
D604,985 S * 12/2009 Taylor D7/309
D670,132 S * 11/2012 De'Longhi D7/309
D720,567 S * 1/2015 Cauwood D7/306
D721,911 S * 2/2015 Cauwood D7/306
D738,152 S * 9/2015 Grasselli D7/309
D739,169 S * 9/2015 Shao D7/309
D760,008 S * 6/2016 Moon D7/306
D774,348 S * 12/2016 Veeravagu D7/306
D774,820 S * 12/2016 Yang D7/306
D777,499 S * 1/2017 McConnell D7/309

(**) Term: **15 Years**

* cited by examiner

(21) Appl. No.: **29/556,332**

Primary Examiner — Marianne Pandozzi

(22) Filed: **Feb. 29, 2016**

(74) *Attorney, Agent, or Firm* — Michael J. Corrigan

(51) **LOC (10) Cl.** **07-01**

(57) **CLAIM**

(52) **U.S. Cl.**
USPC **D7/306; D7/311; D7/309**

The ornamental design for a hot beverage appliance, as shown and described.

(58) **Field of Classification Search**
USPC D7/305-311, 313; D15/82; 222/129.1, 222/146.6; 99/295

DESCRIPTION

CPC A47J 31/44; A47J 31/4403; A47J 31/46; B67D 1/36; B67D 2210/0065; B67D 1/0864
See application file for complete search history.

FIG. 1 is a front perspective view of a hot beverage appliance showing our new design;
FIG. 2 is a front view thereof;
FIG. 3 is a rear view thereof;
FIG. 4 is a left side view thereof;
FIG. 5 is a right side view thereof; and,
FIG. 6 is a top plan view thereof.

(56) **References Cited**

U.S. PATENT DOCUMENTS

The broken lines in the drawing depict portions of the hot beverage appliance that form no part of the claimed design.

D239,758 S * 5/1976 Claxton et al. D7/309
4,748,901 A * 6/1988 Burmeister A47J 31/0573
99/295

1 Claim, 3 Drawing Sheets

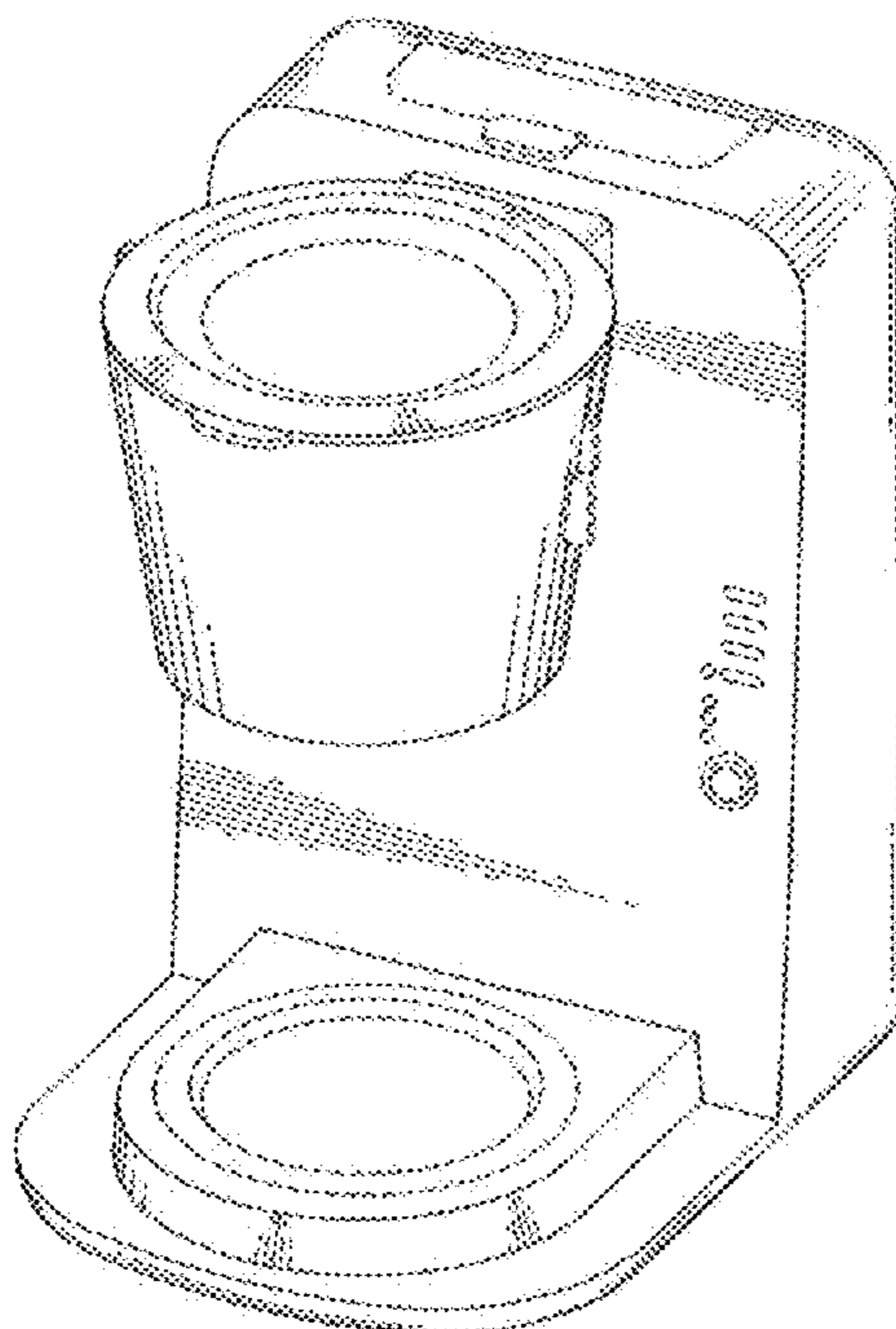


FIG. 1

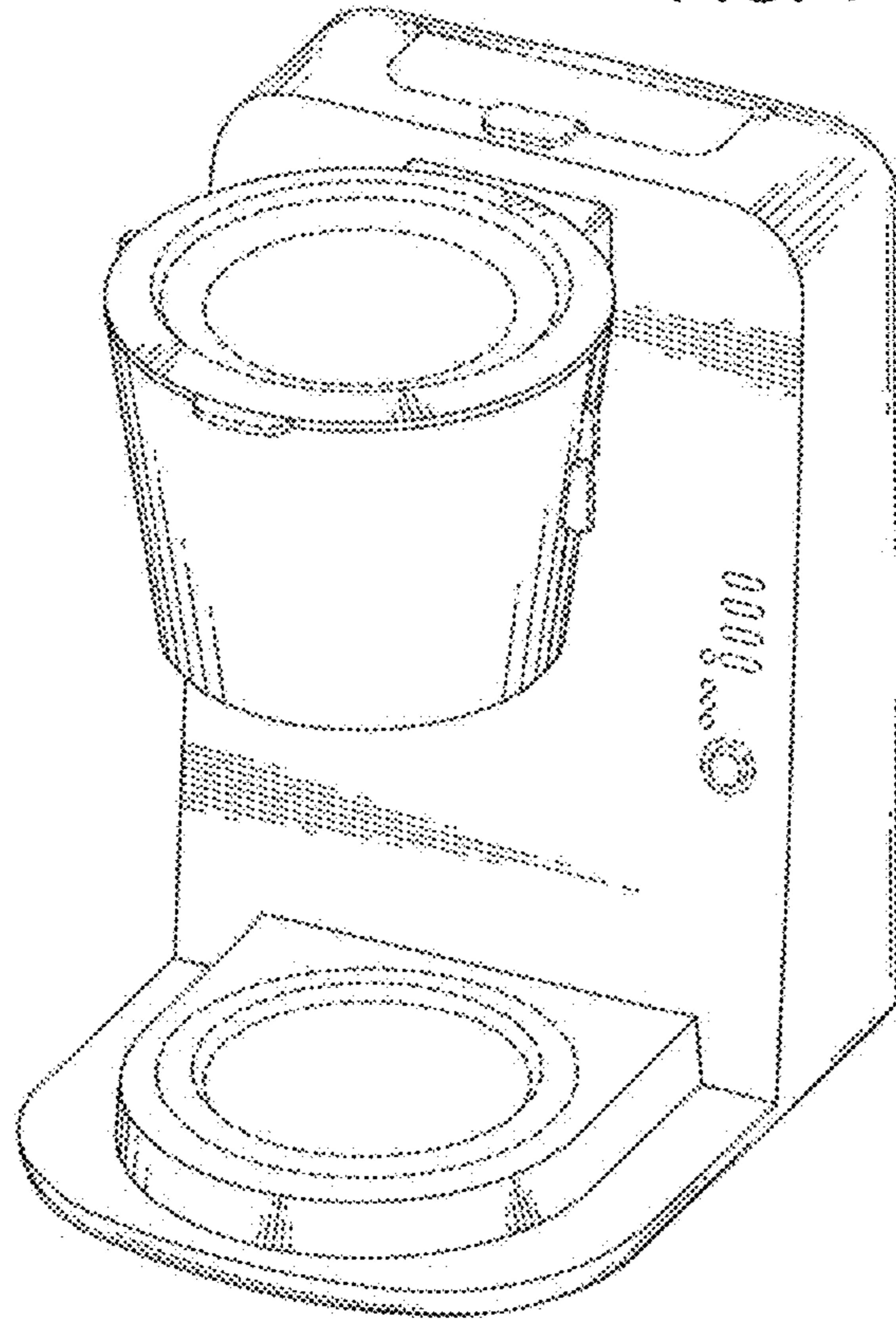


FIG. 6

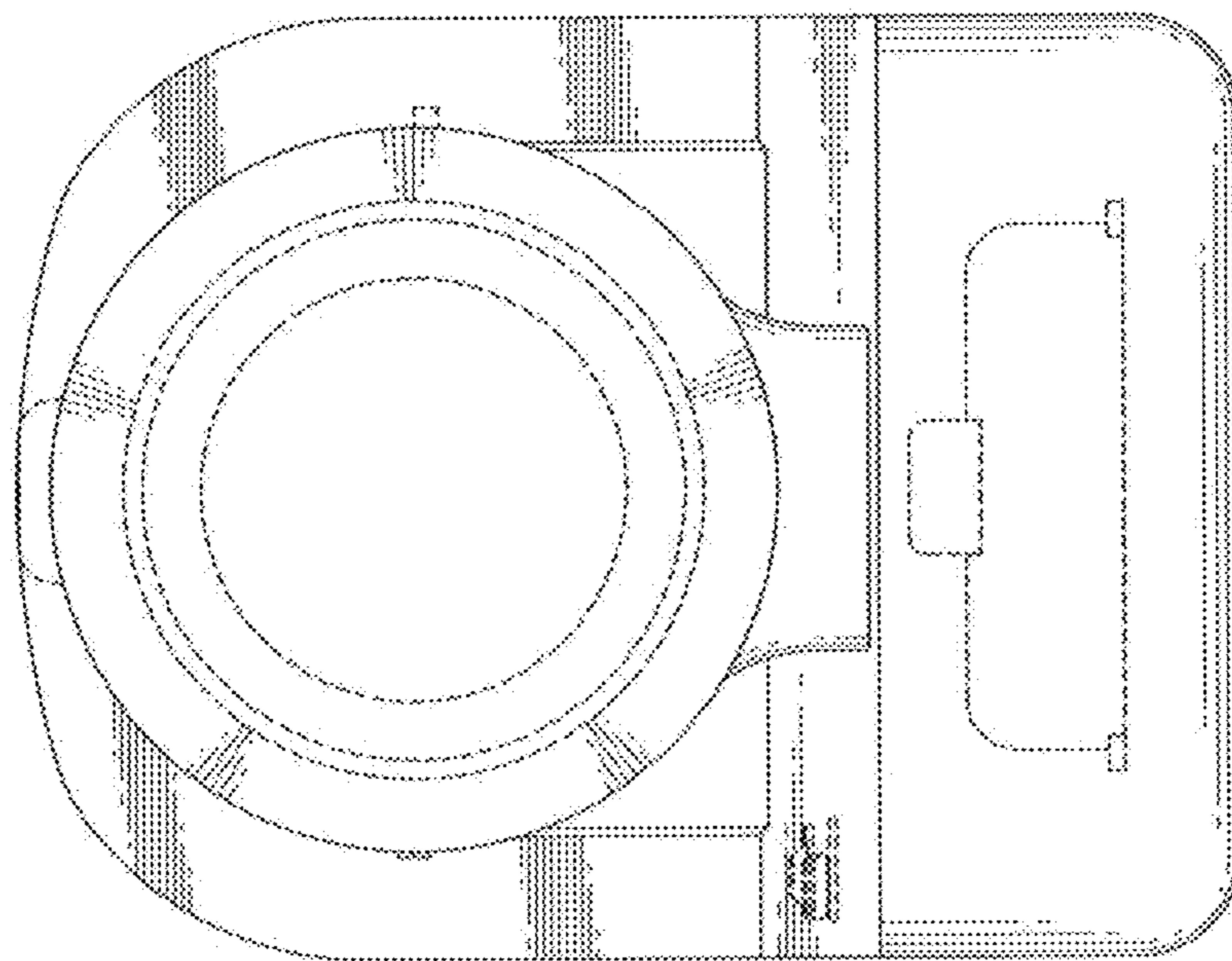


FIG. 3

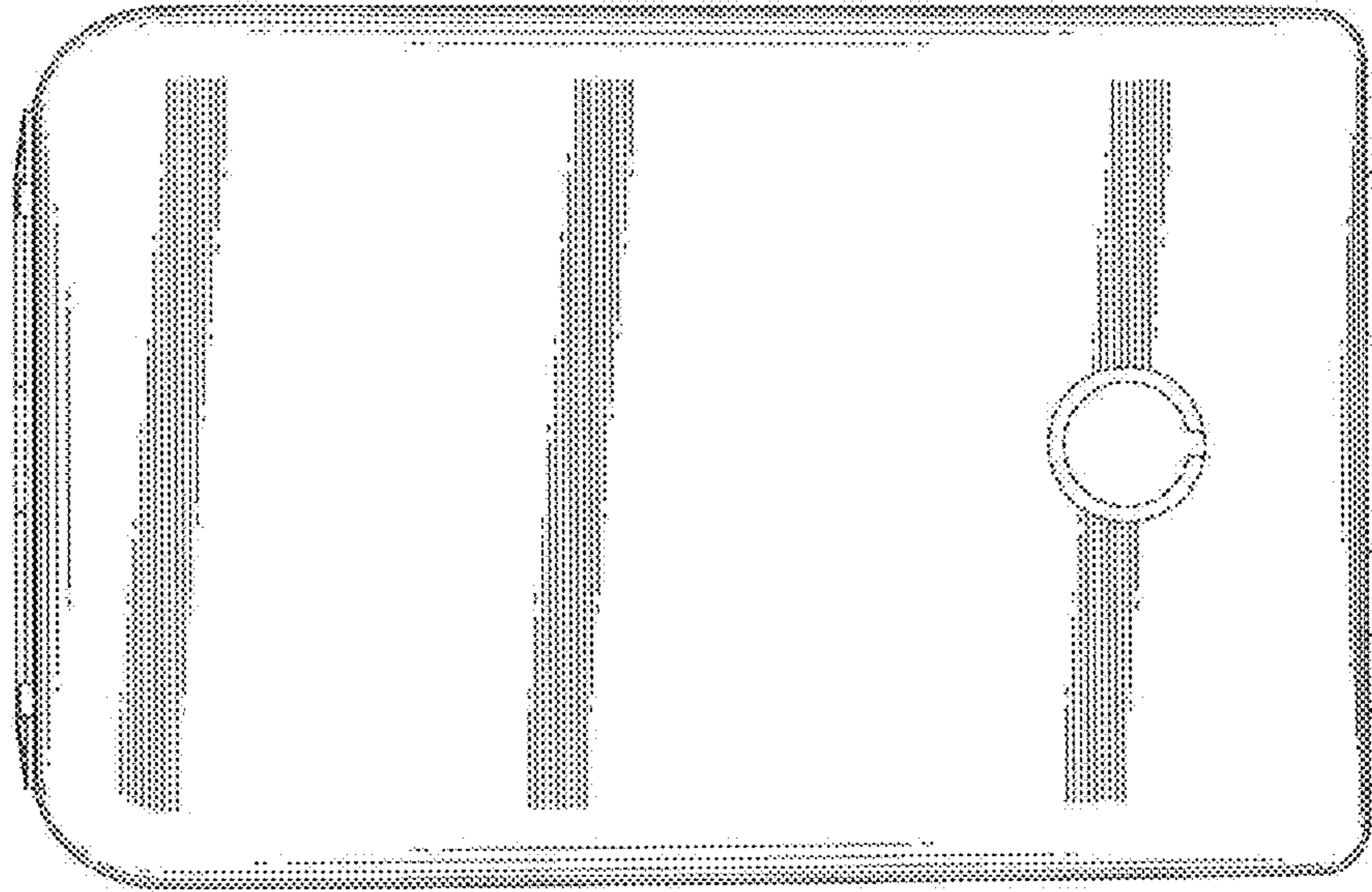


FIG. 2

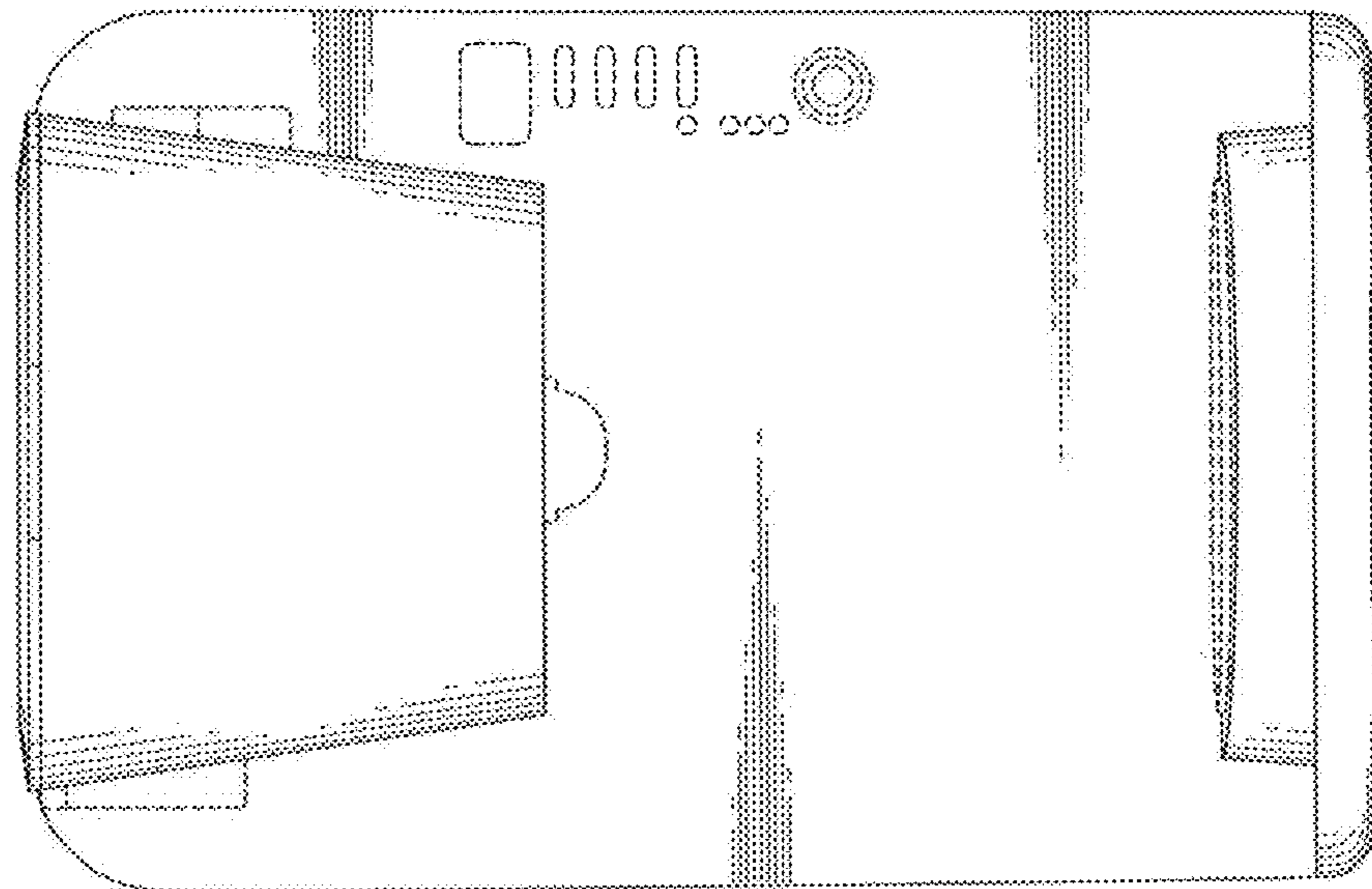


FIG. 5

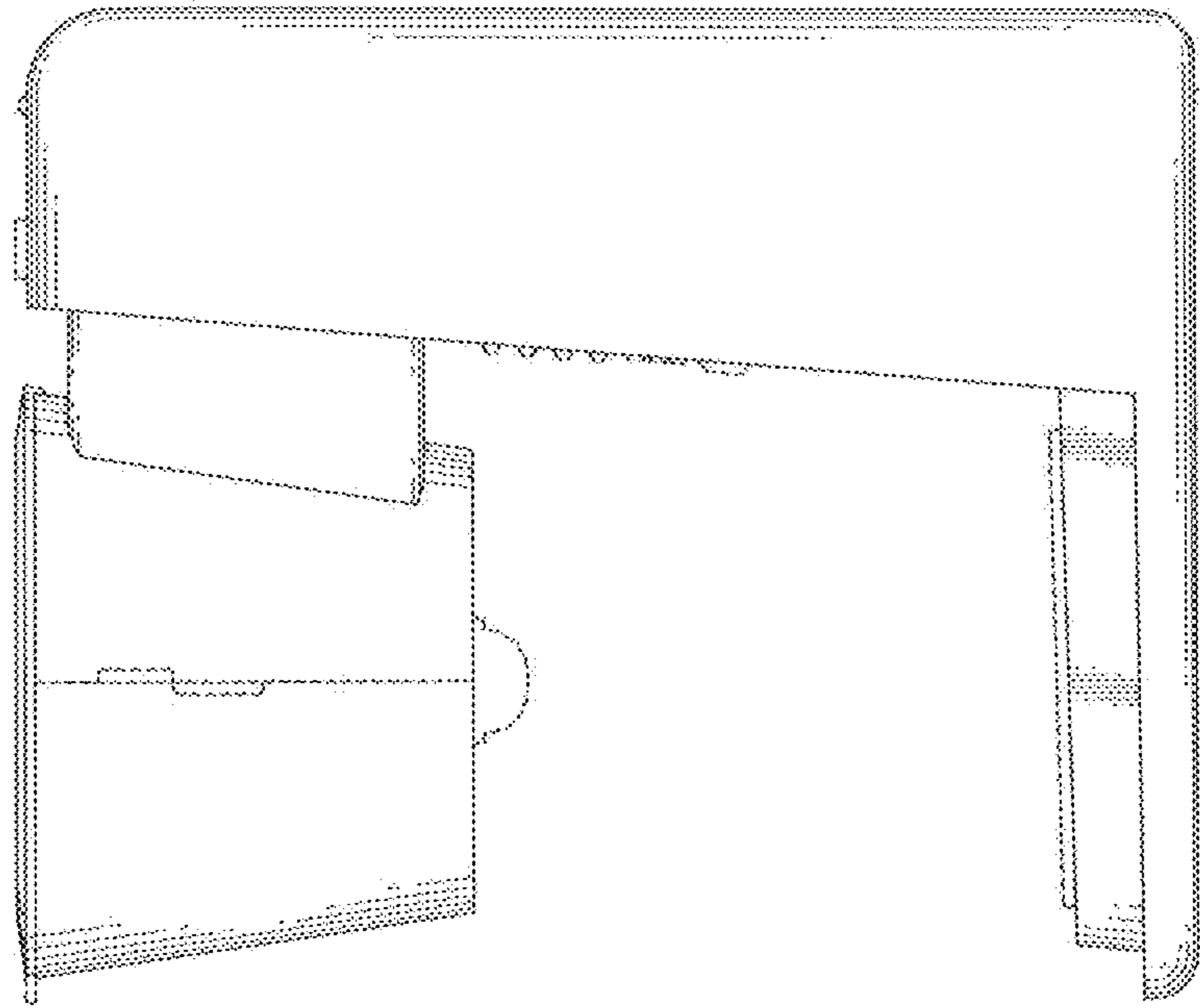


FIG. 4

