



US00D785389S

(12) **United States Design Patent** (10) **Patent No.:** **US D785,389 S**
Andrus (45) **Date of Patent:** **** May 2, 2017**

(54) **SEAT**

(71) Applicant: **Neal R. Andrus**, Rigby, ID (US)

(72) Inventor: **Neal R. Andrus**, Rigby, ID (US)

(**) Term: **15 Years**

(21) Appl. No.: **29/532,294**

(22) Filed: **Jul. 4, 2015**

(51) **LOC (10) Cl.** **06-01**

(52) **U.S. Cl.**
USPC **D6/716**; D6/358; D6/360

(58) **Field of Classification Search**
USPC D6/334-336, 358, 360, 364, 365, 375,
D6/380, 716, 716.1, 716.4
CPC .. B60B 3/04; B60B 3/16; B60B 11/00; B60B
11/06; B60B 21/00; B60B 21/04; B60B
25/00; B60B 25/04; B60B 25/16
See application file for complete search history.

(56) **References Cited**

U.S. PATENT DOCUMENTS

1,555,138	A *	9/1925	Main	B60B 3/16 301/63.109
1,665,485	A *	4/1928	Walther	B60B 11/06 301/35.628
2,090,254	A *	8/1937	Eksergian	B60B 3/04 301/63.101
2,143,457	A *	1/1939	Sinclair	B60B 3/04 301/35.625
2,145,377	A *	1/1939	Sinclair	B60B 3/04 301/35.59
2,157,175	A *	5/1939	Hunt	B60B 3/04 301/35.59

(Continued)

Primary Examiner — Mimoso De

(74) *Attorney, Agent, or Firm* — Flaig Law Office, PLLC;
Jason E. Flaig

(57) **CLAIM**

The ornamental design for a seat, as shown and described.

DESCRIPTION

FIG. 1 is a perspective view of a seat, in accordance with the present invention;

FIG. 2 is a front view of the seat in FIG. 1;

FIG. 3 is a rear view of the seat in FIG. 1;

FIG. 4 is a right side view of the seat in FIG. 1;

FIG. 5 is a left side view of the seat in FIG. 1;

FIG. 6 is a top view of the seat in FIG. 1;

FIG. 7 is a bottom view of the seat in FIG. 1;

FIG. 8 is a perspective view of an alternative embodiment of the seat show in FIGS. 1-7, in accordance with the present invention, with cushion and stool components being disclaimed, and all claimed aspects of the invention contained in FIGS. 1-7 are hereby incorporated by reference into FIG. 8;

FIG. 9 is a front view of the seat in FIG. 8;

FIG. 10 is a rear view of the seat in FIG. 8;

FIG. 11 is a right side view of the seat in FIG. 8;

FIG. 12 is a left side view of the seat in FIG. 8;

FIG. 13 is a top view of the seat in FIG. 8;

FIG. 14 is a bottom view of the seat in FIG. 8;

FIG. 15 is a perspective view of an alternative embodiment of the seat show in FIGS. 1-7, in accordance with the present invention, with stool components being disclaimed and a cushion being claimed, and all claimed aspects of the invention contained in FIGS. 1-7 are hereby incorporated by reference into FIG. 15;

FIG. 16 is a front view of the seat in FIG. 15;

FIG. 17 is a rear view of the seat in FIG. 15;

FIG. 18 is a right side view of the seat in FIG. 15;

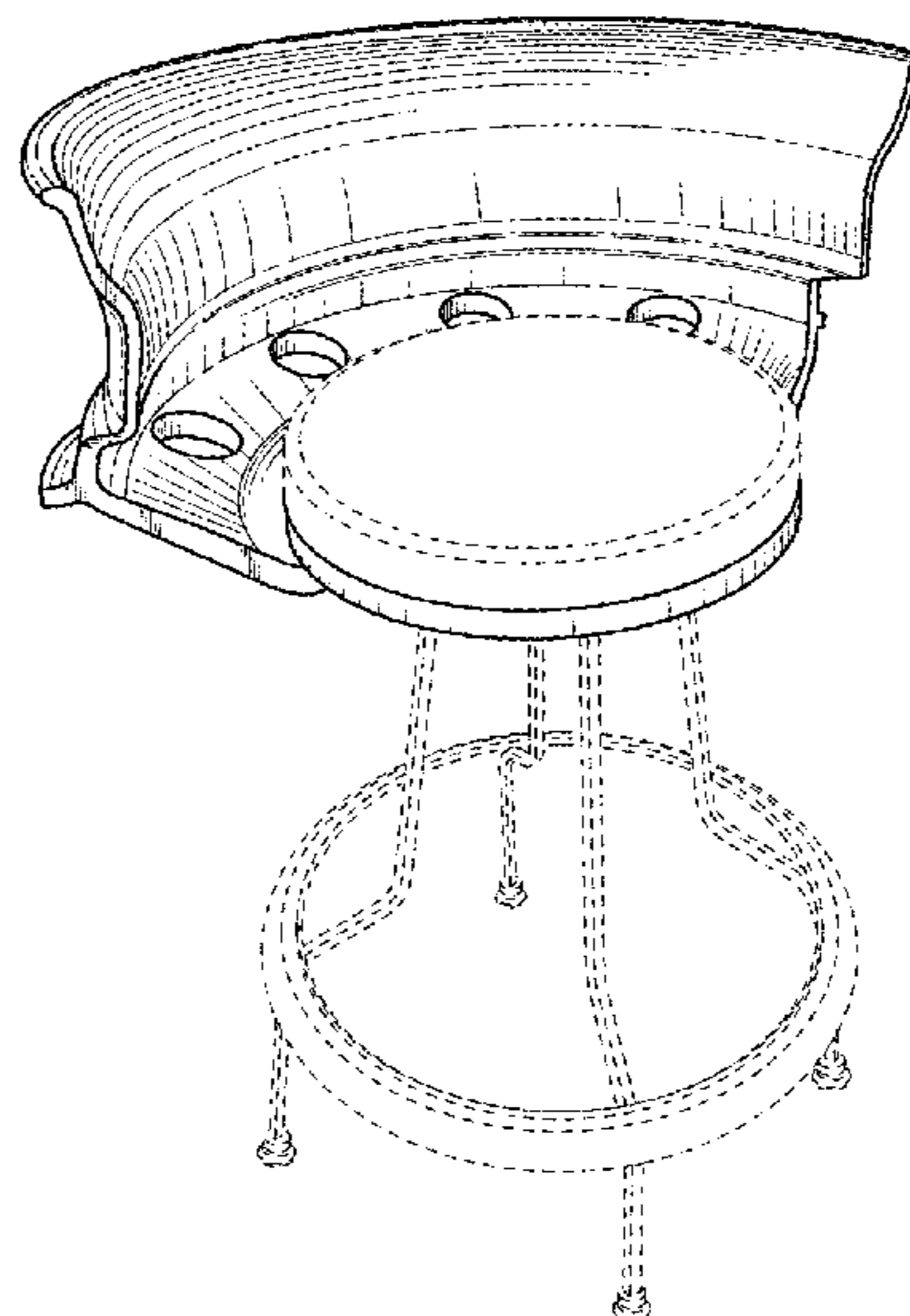
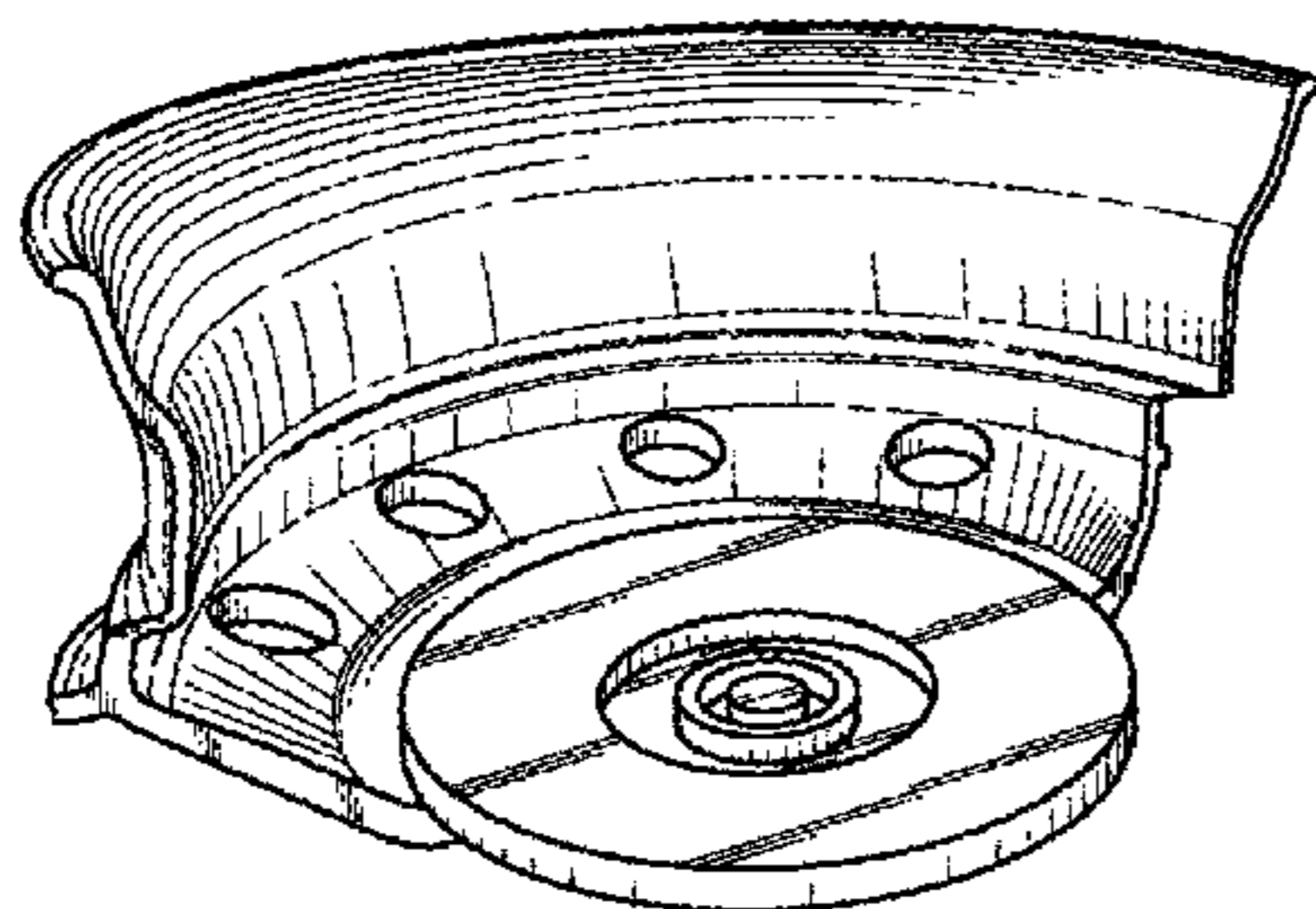
FIG. 19 is a left side view of the seat in FIG. 15;

FIG. 20 is a top view of the seat in FIG. 15; and,

FIG. 21 is a bottom view of the seat in FIG. 15.

The broken lines in the drawings are included for the purpose of illustrating environmental structure only and form no part of the claimed design.

1 Claim, 6 Drawing Sheets



(56)

References Cited

U.S. PATENT DOCUMENTS

2,488,762 A * 11/1949 Burns, Jr. B60B 25/00
301/64.305
D164,032 S * 7/1951 Lyon D12/210
D164,044 S * 7/1951 Lyon D12/210
2,559,288 A * 7/1951 Ebert B60B 25/16
152/412
D164,185 S * 8/1951 Lyon D12/210
D164,189 S * 8/1951 Lyon D12/210
D165,182 S * 11/1951 Lyon D12/210
2,826,456 A * 3/1958 Atkin B60B 11/06
301/11.1
D196,789 S * 11/1963 Pyshe D12/210
3,138,407 A * 6/1964 Duggan B60B 3/04
301/35.626
D226,657 S * 4/1973 Grawey D12/210
D231,879 S * 6/1974 Veillette D6/358
4,146,274 A * 3/1979 Lejeune B60B 21/00
301/64.703
D252,564 S * 8/1979 Harty, Jr. D12/210
D284,753 S * 7/1986 Hedlund D12/210
D313,896 S * 1/1991 Kaye D6/360
D327,466 S * 6/1992 Lipper D12/210
5,362,134 A * 11/1994 Carmona B60B 3/16
301/105.1
6,637,486 B1 * 10/2003 Rolla B60B 21/04
152/381.6
D502,678 S * 3/2005 Weld D12/210
D512,845 S * 12/2005 O'Hare D6/360
D519,433 S * 4/2006 Finn D12/210
D664,793 S * 8/2012 Petruccelli D6/360
D708,448 S * 7/2014 Hernandez D6/360
8,807,666 B2 * 8/2014 Cragg B60B 3/16
301/95.101
9,469,156 B2 * 10/2016 Bueter B60B 25/16

* cited by examiner

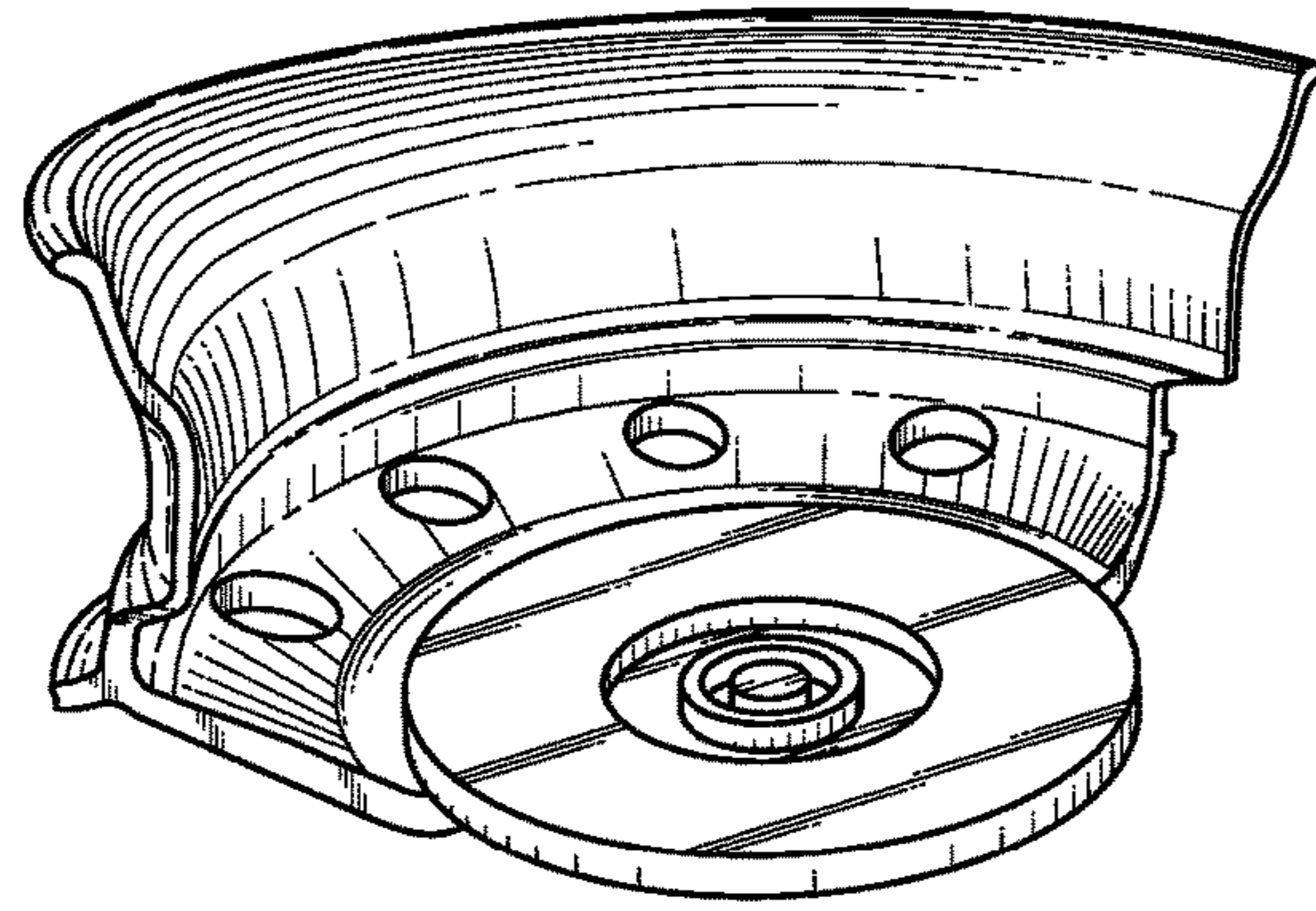


FIG. 1

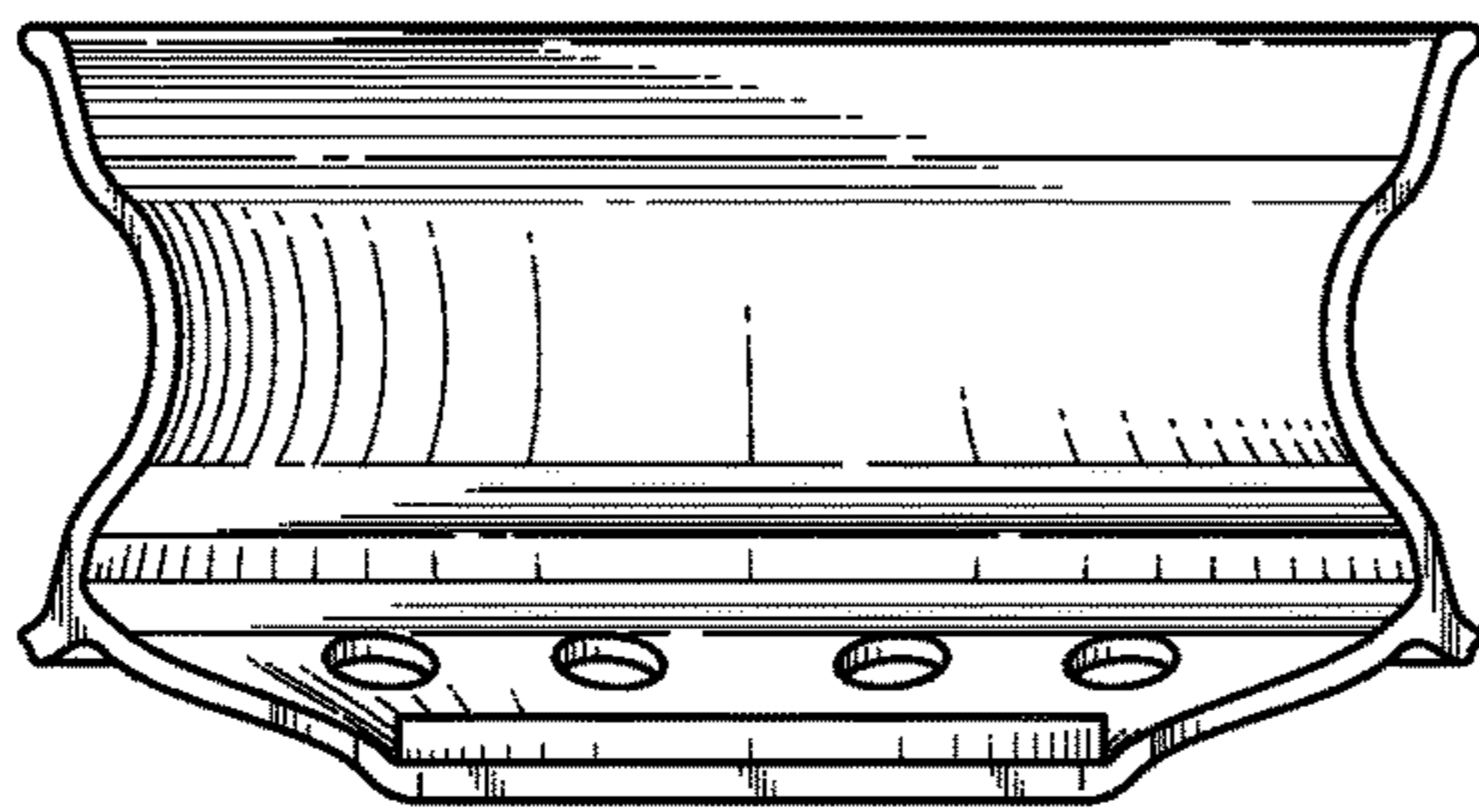


FIG. 2

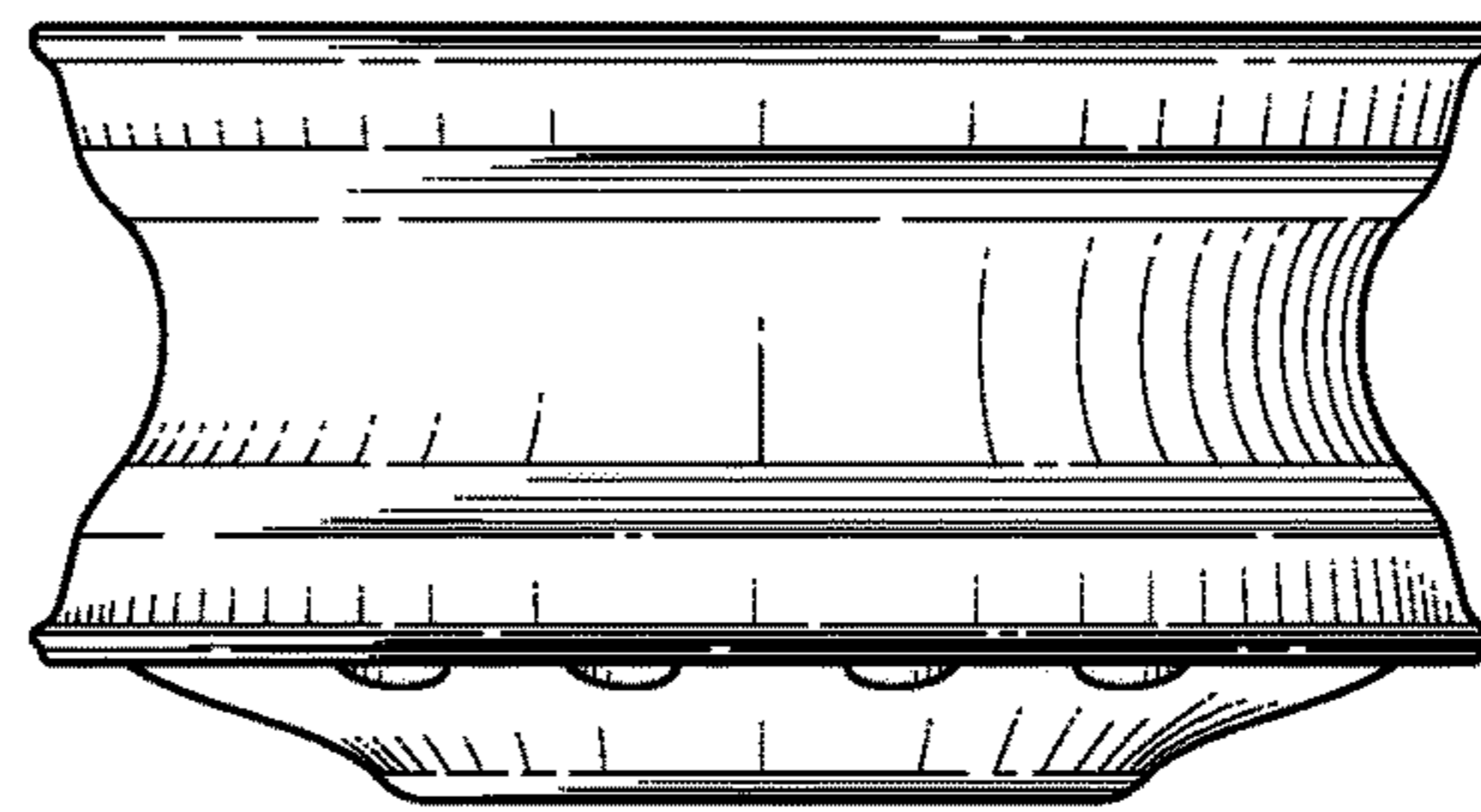


FIG. 3

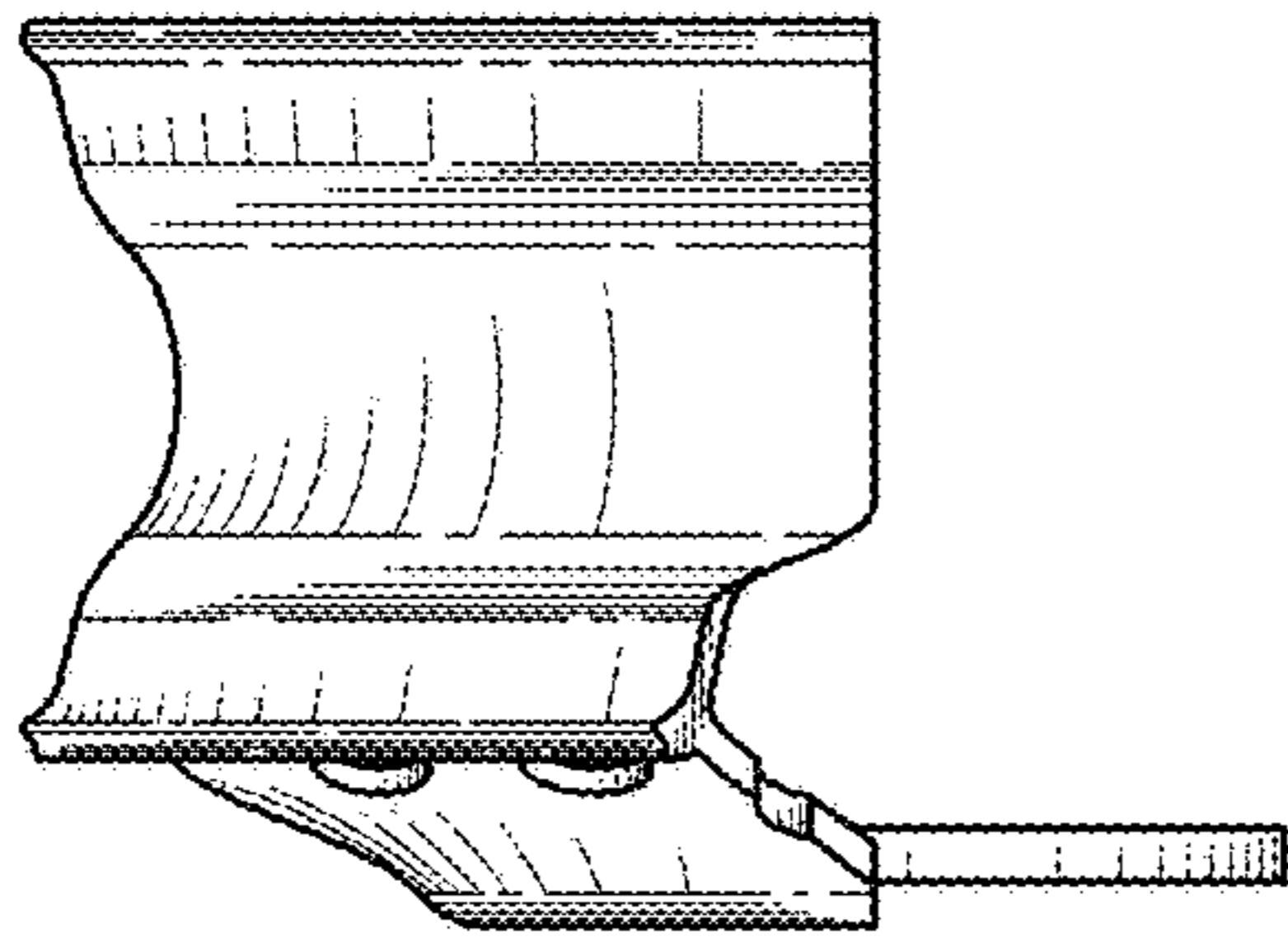


FIG. 4

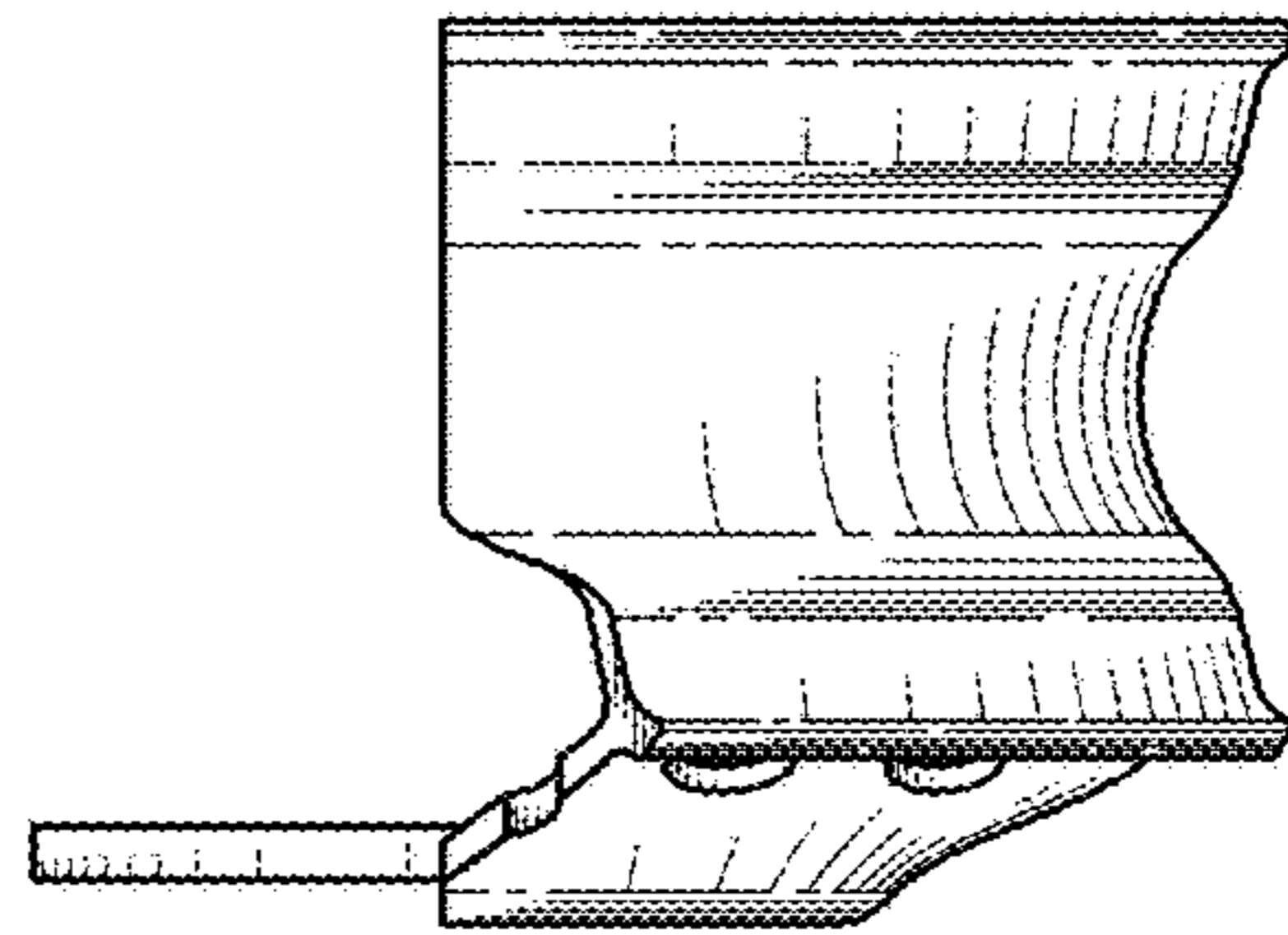


FIG. 5

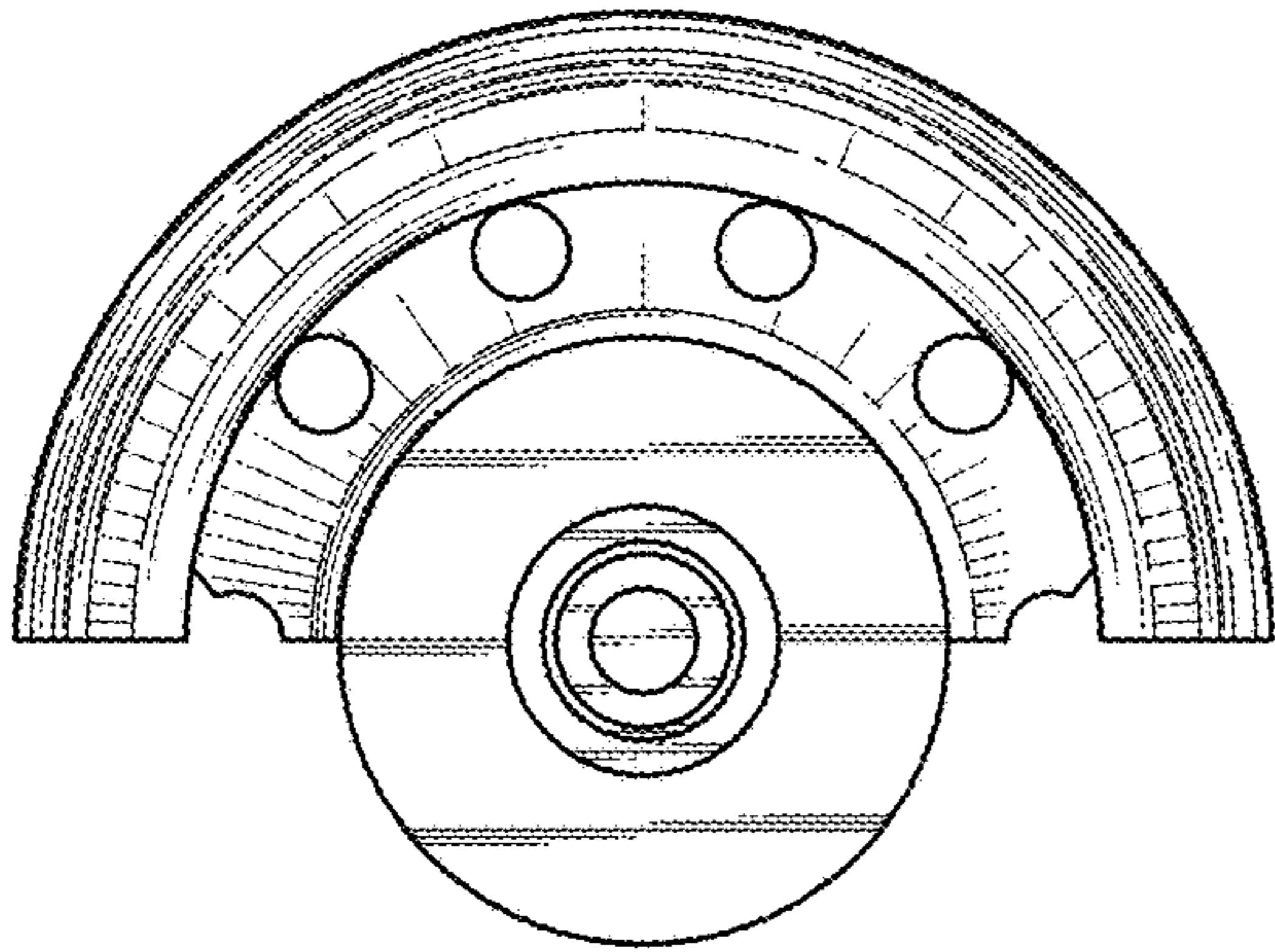


FIG. 6

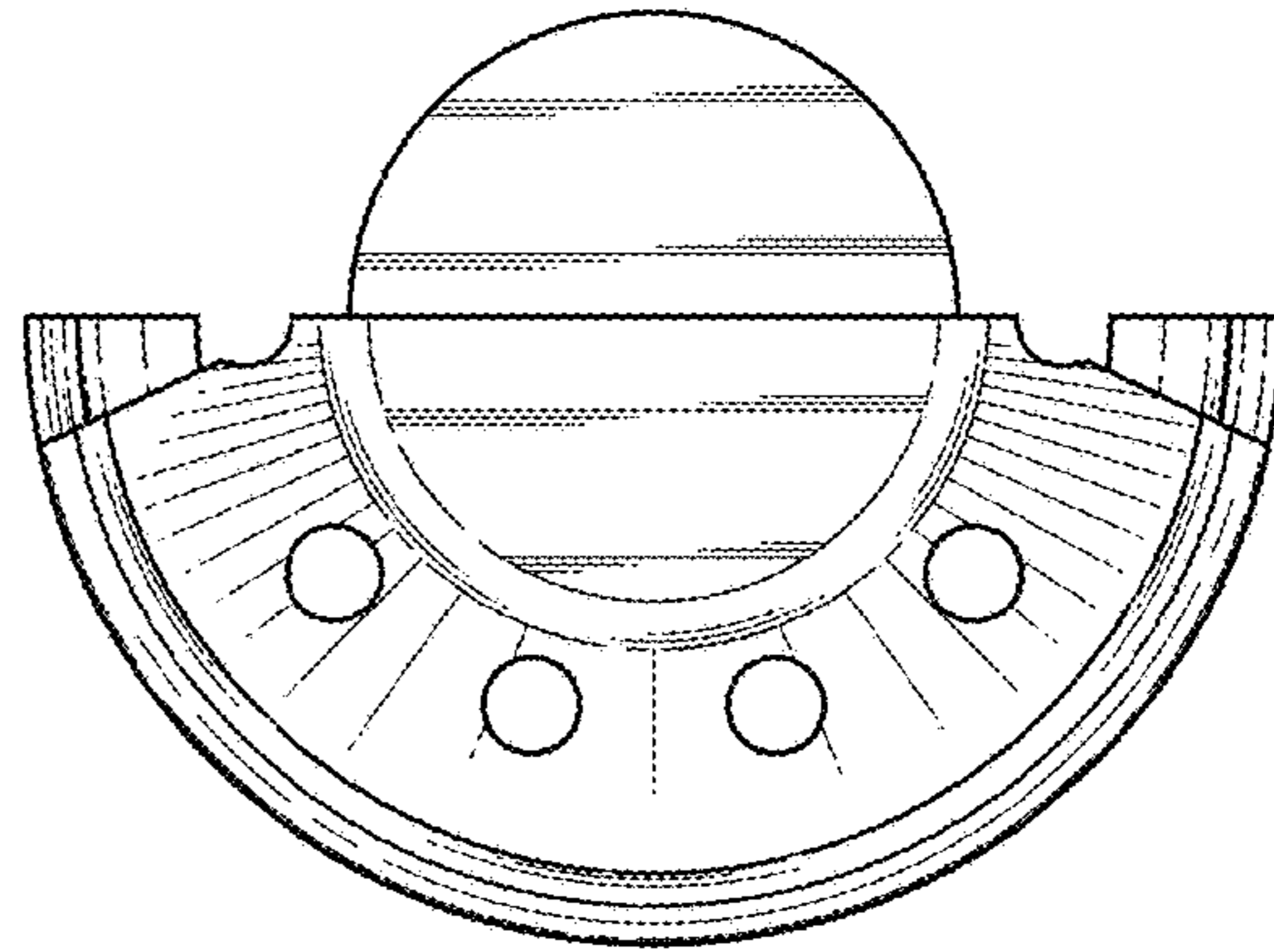


FIG. 7

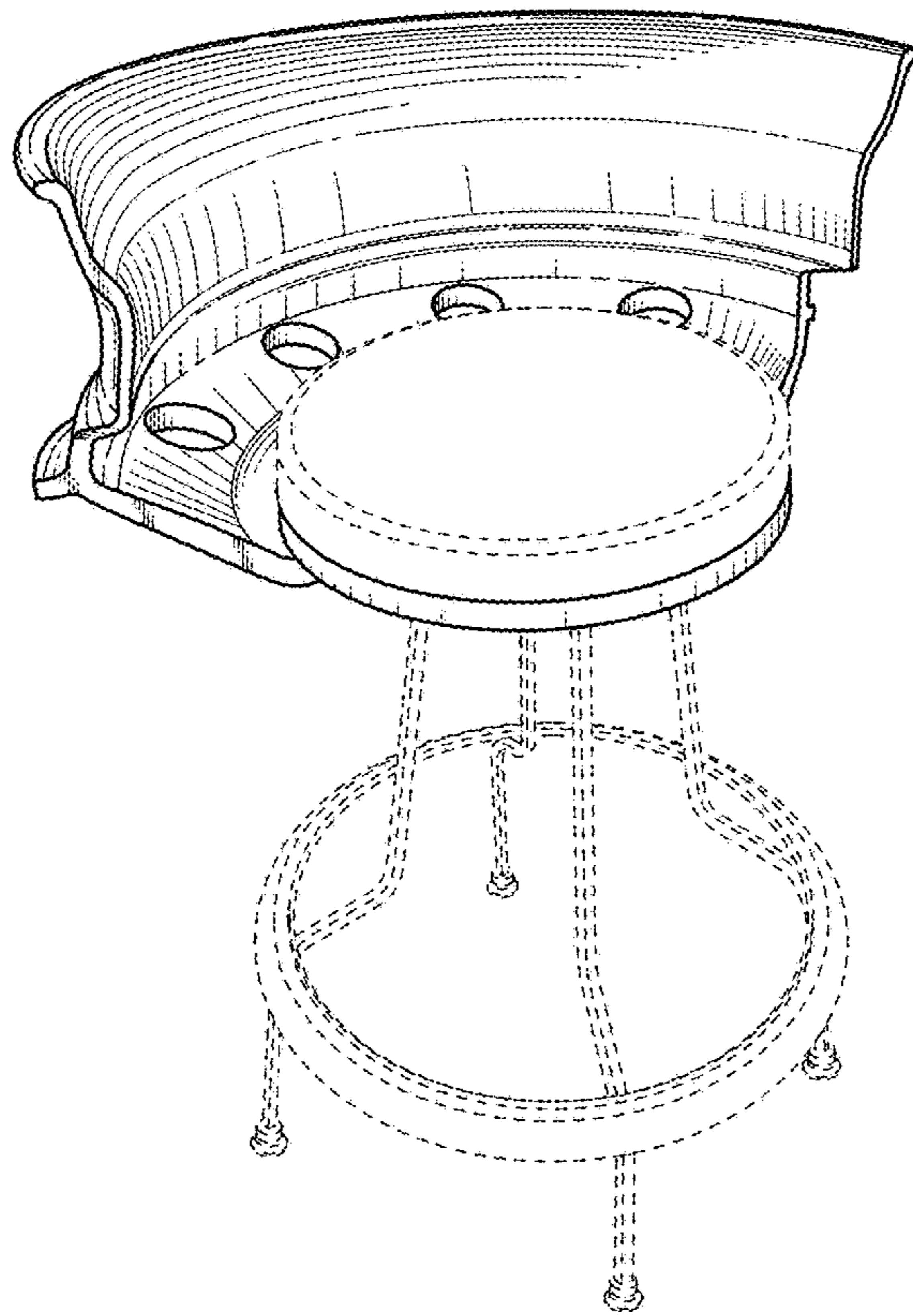


FIG. 8

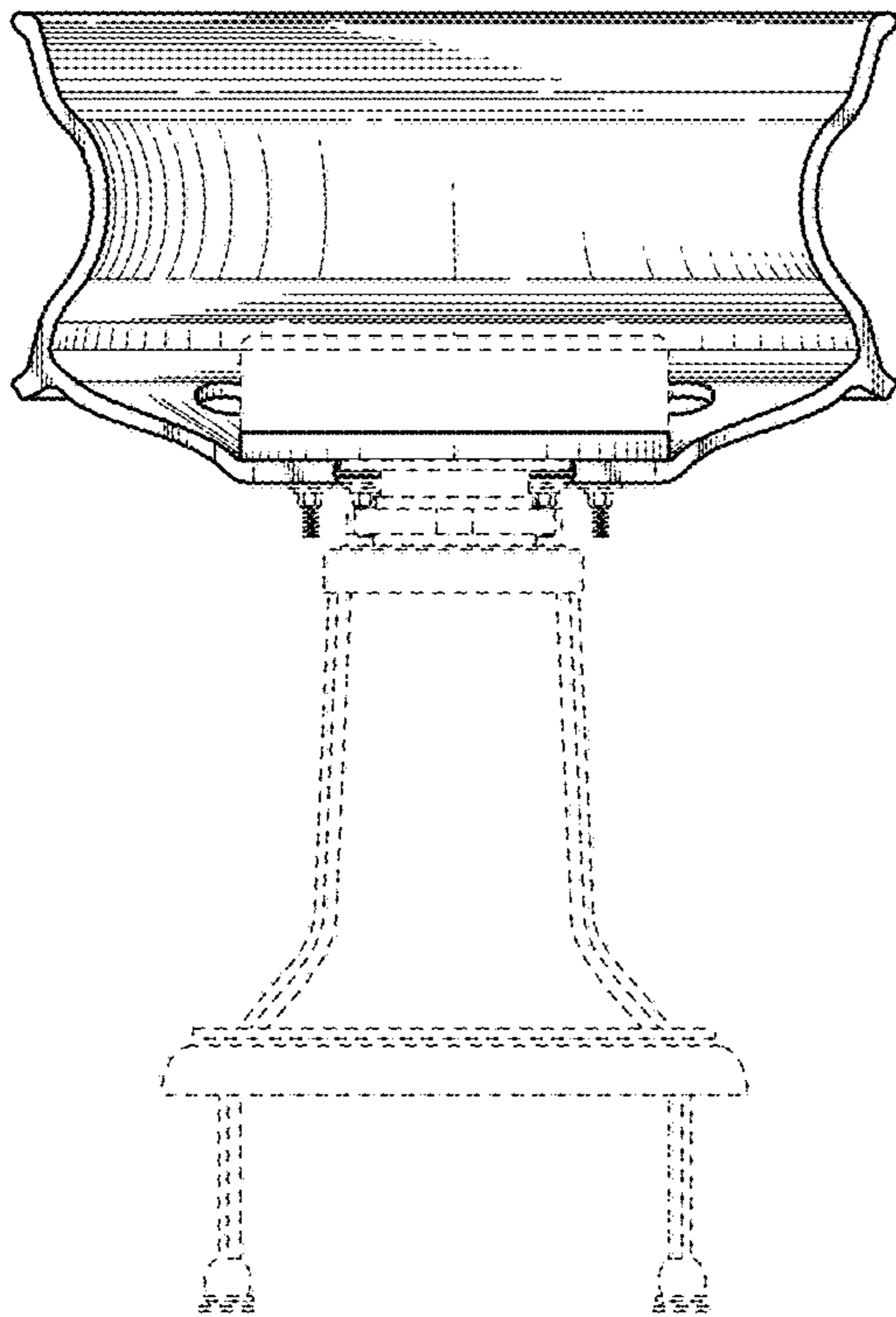


FIG. 9

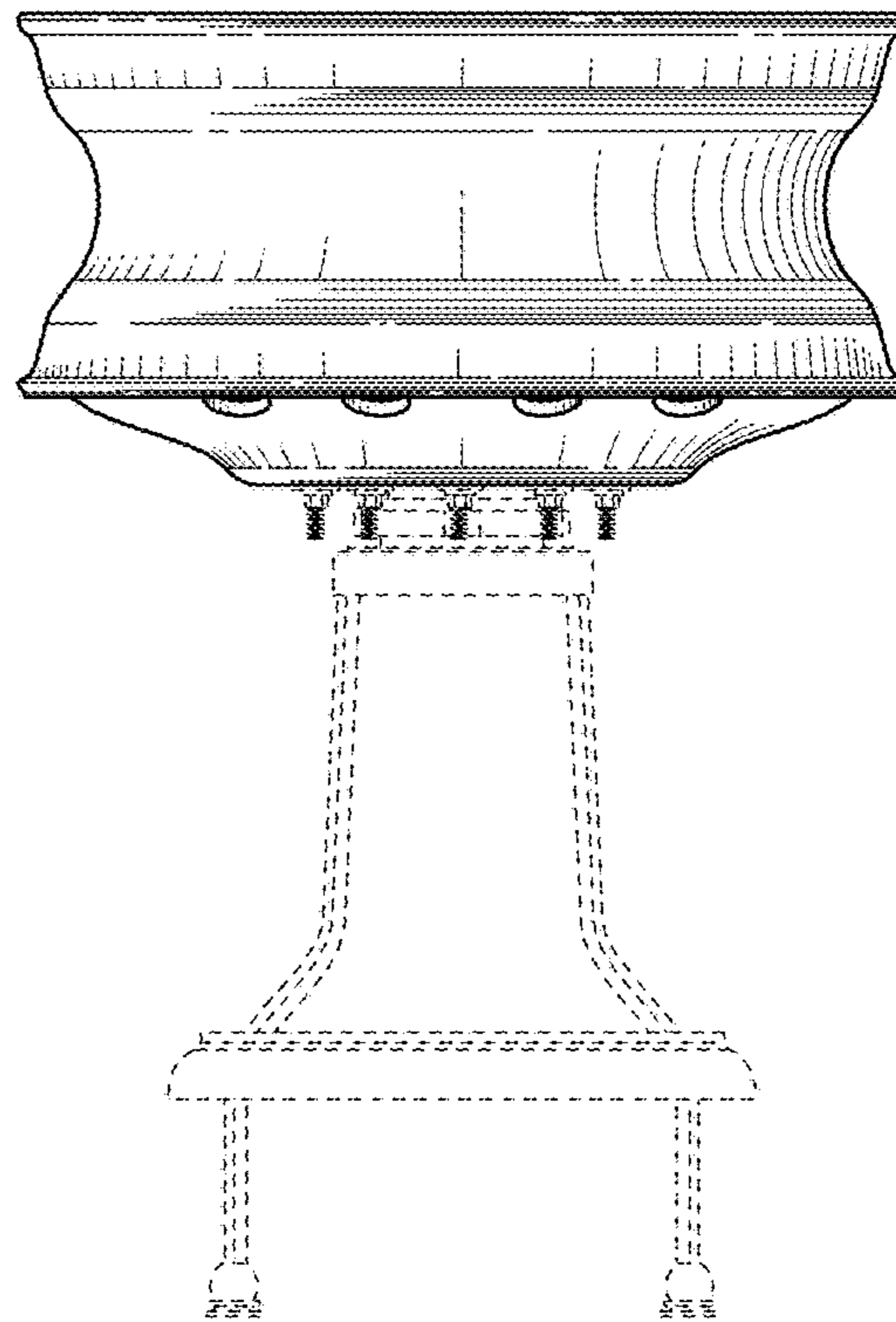


FIG. 10

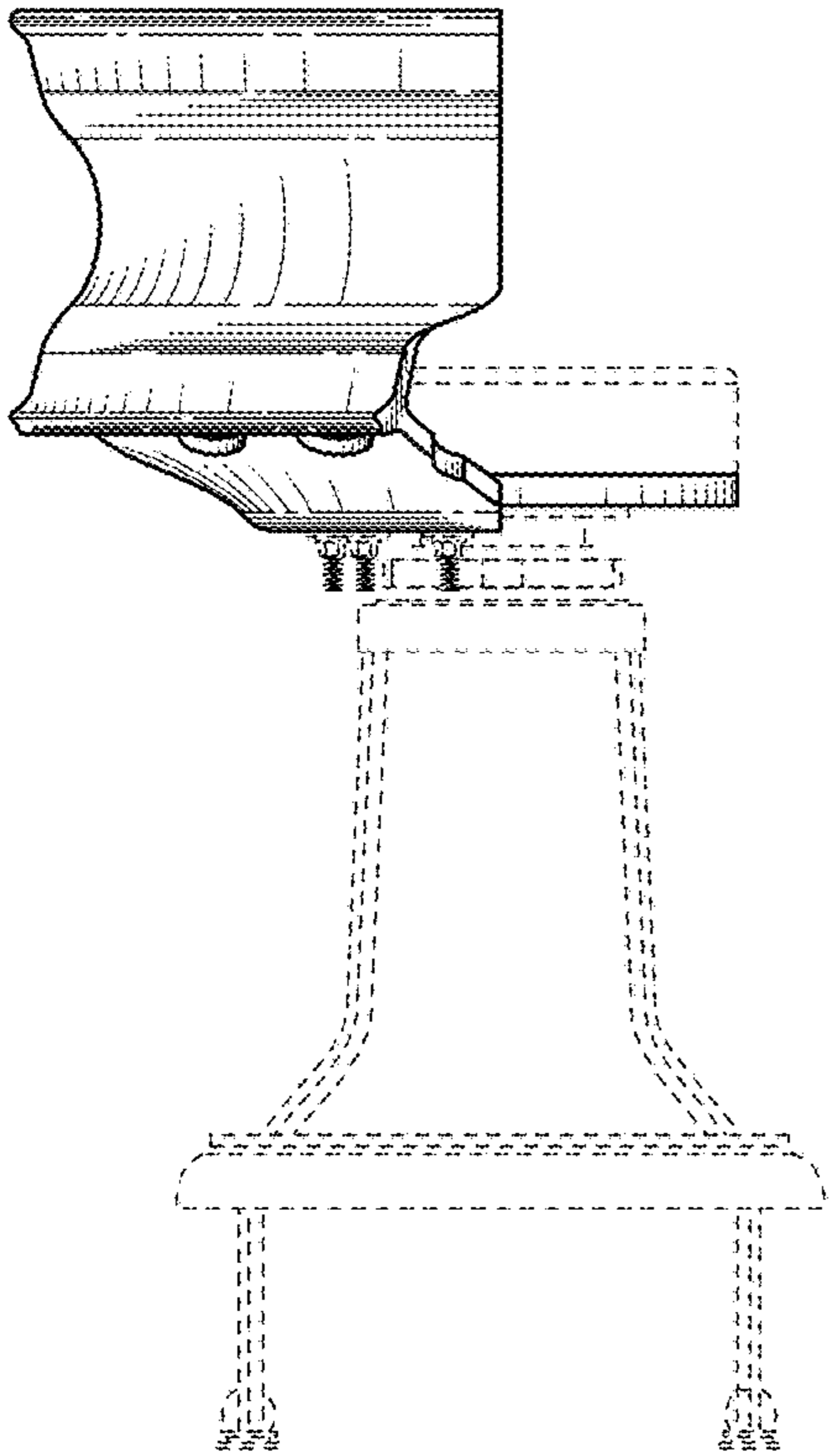


FIG. 11

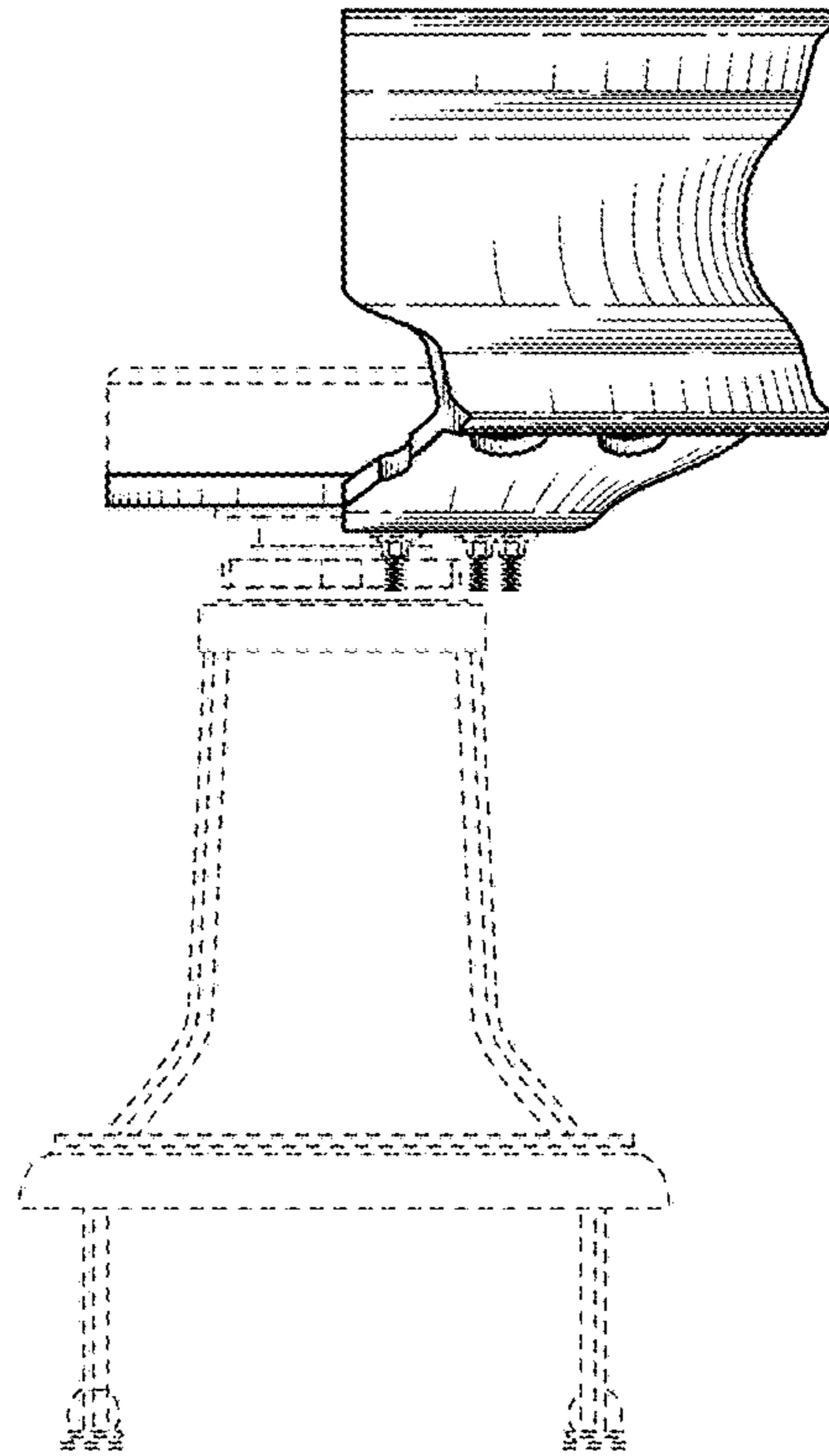


FIG. 12

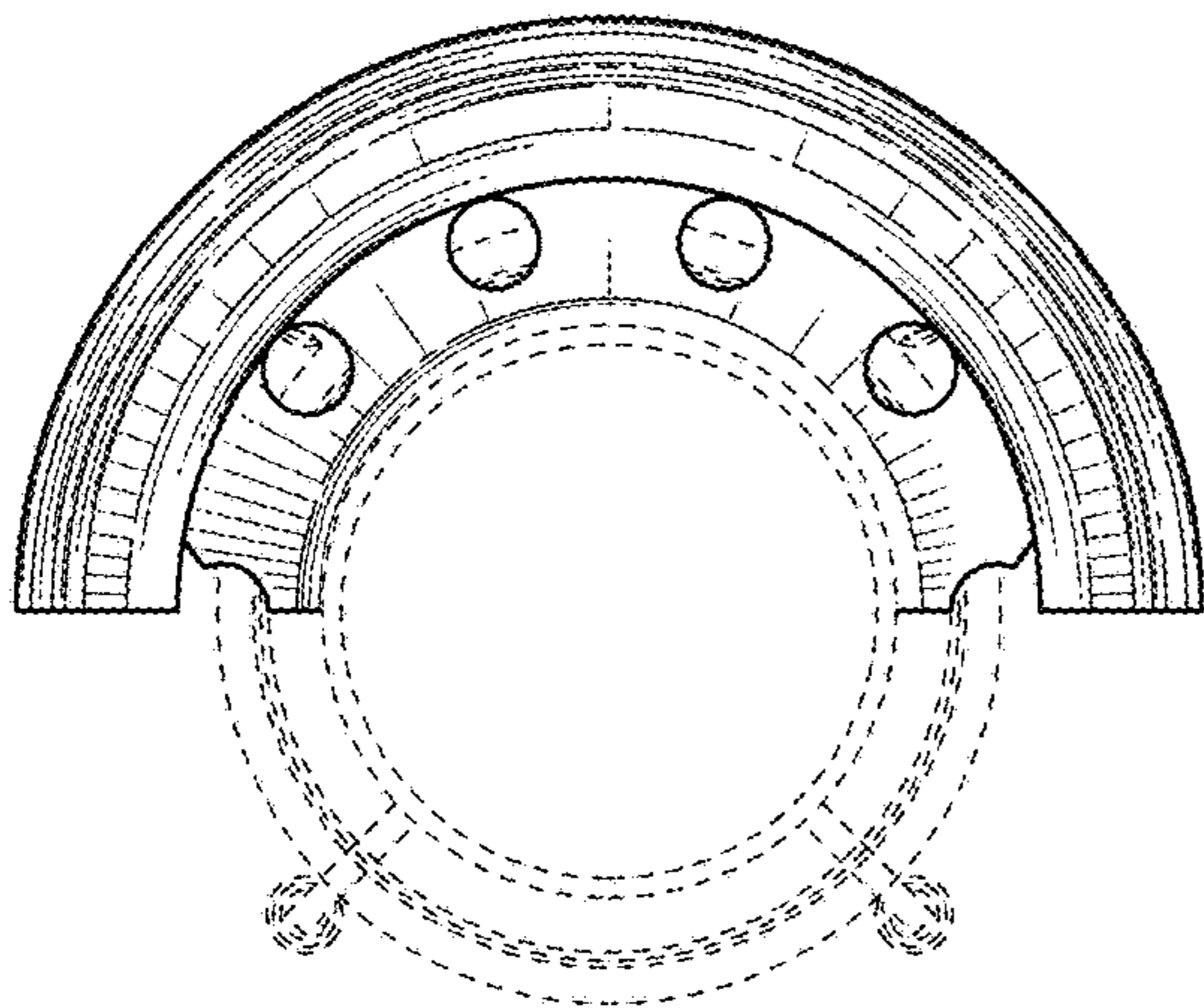


FIG. 13

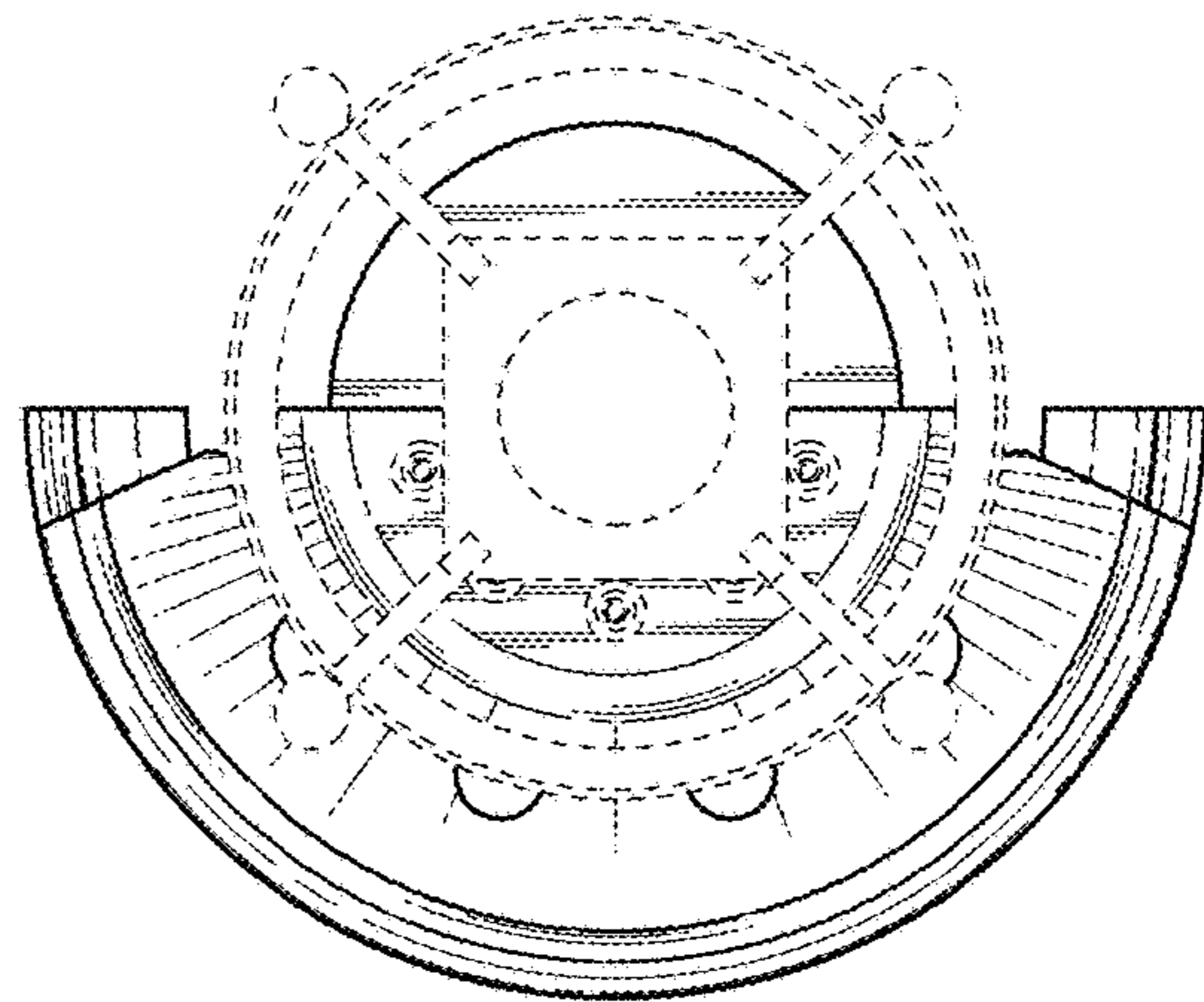


FIG. 14

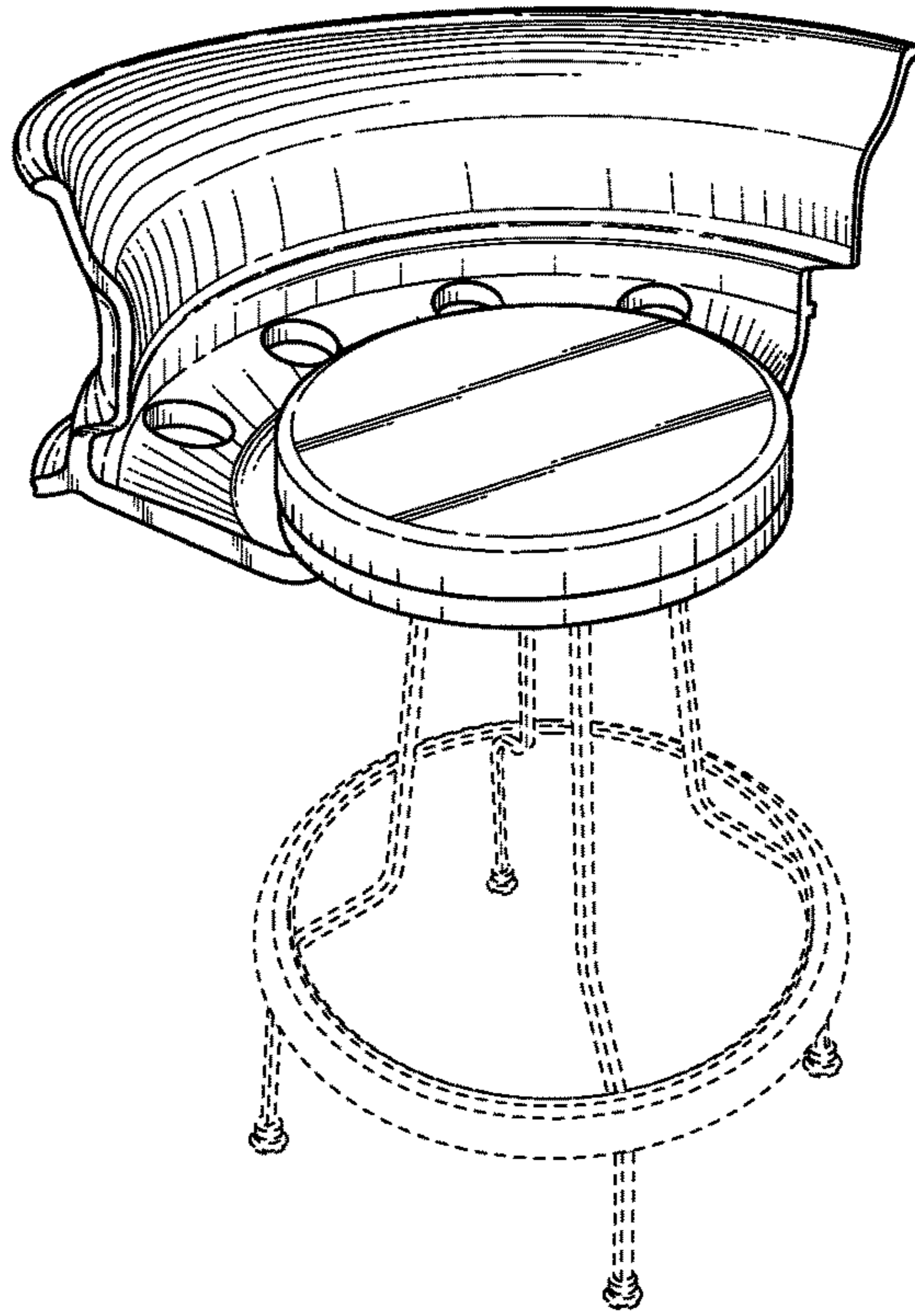


FIG. 15

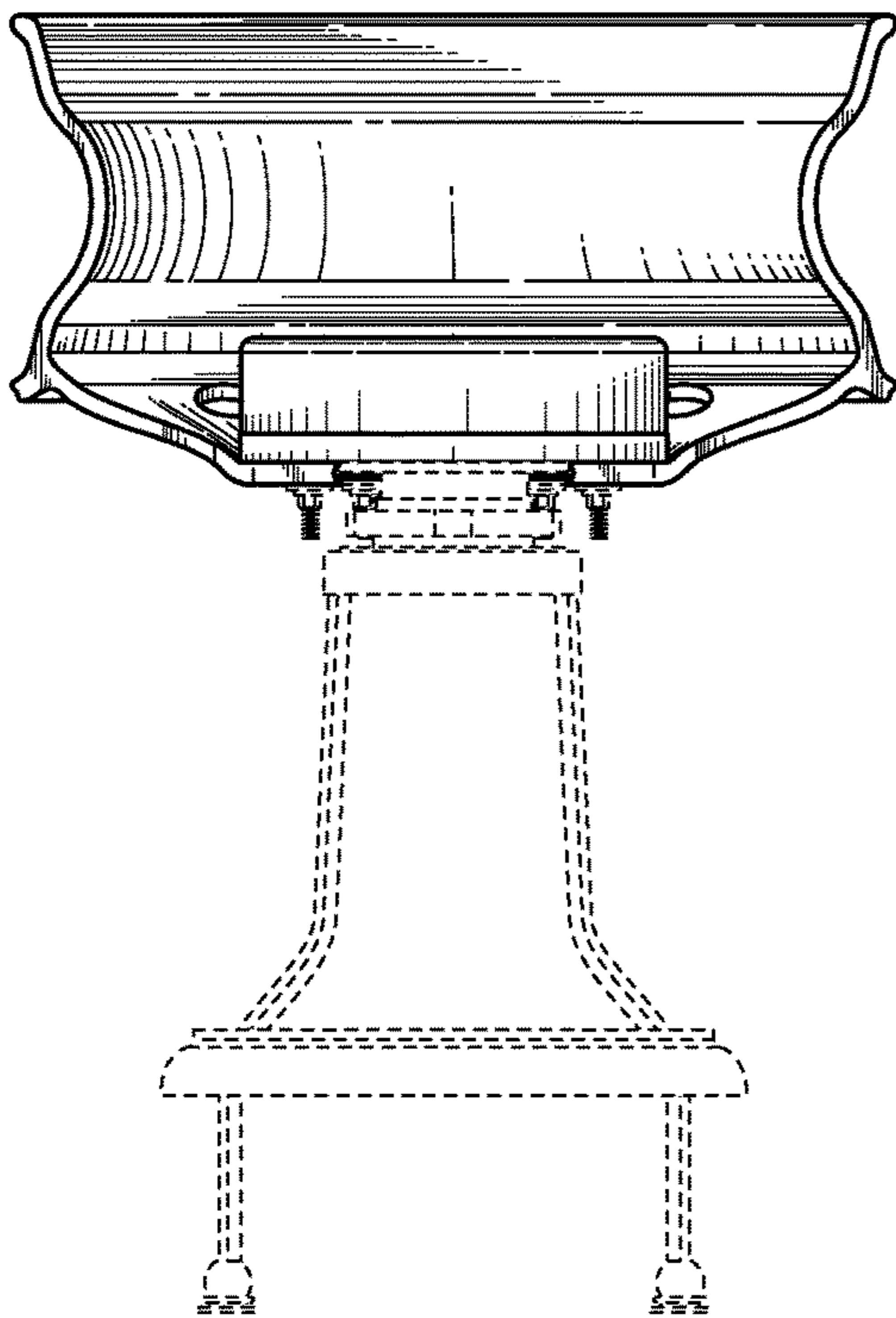


FIG. 16

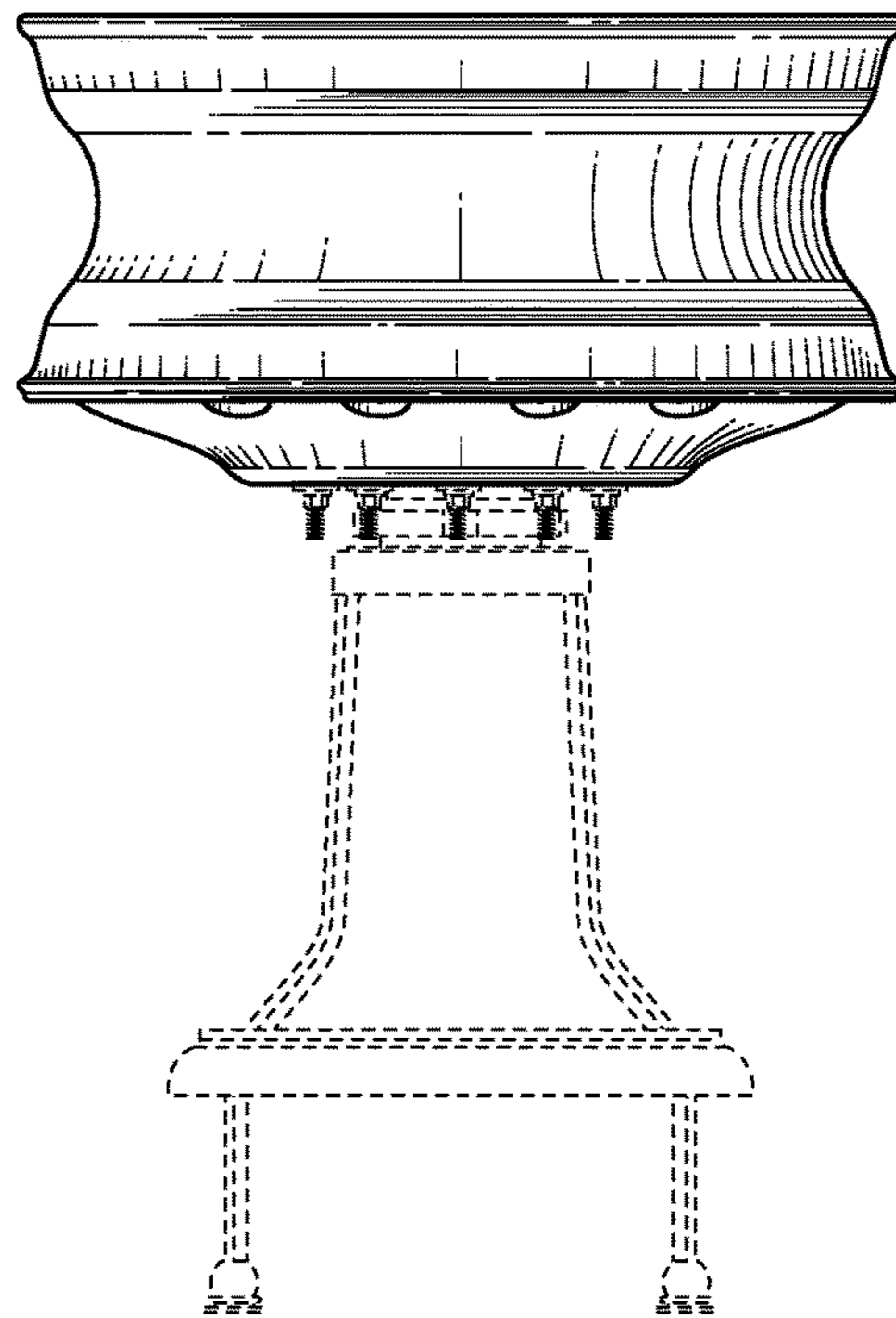


FIG. 17

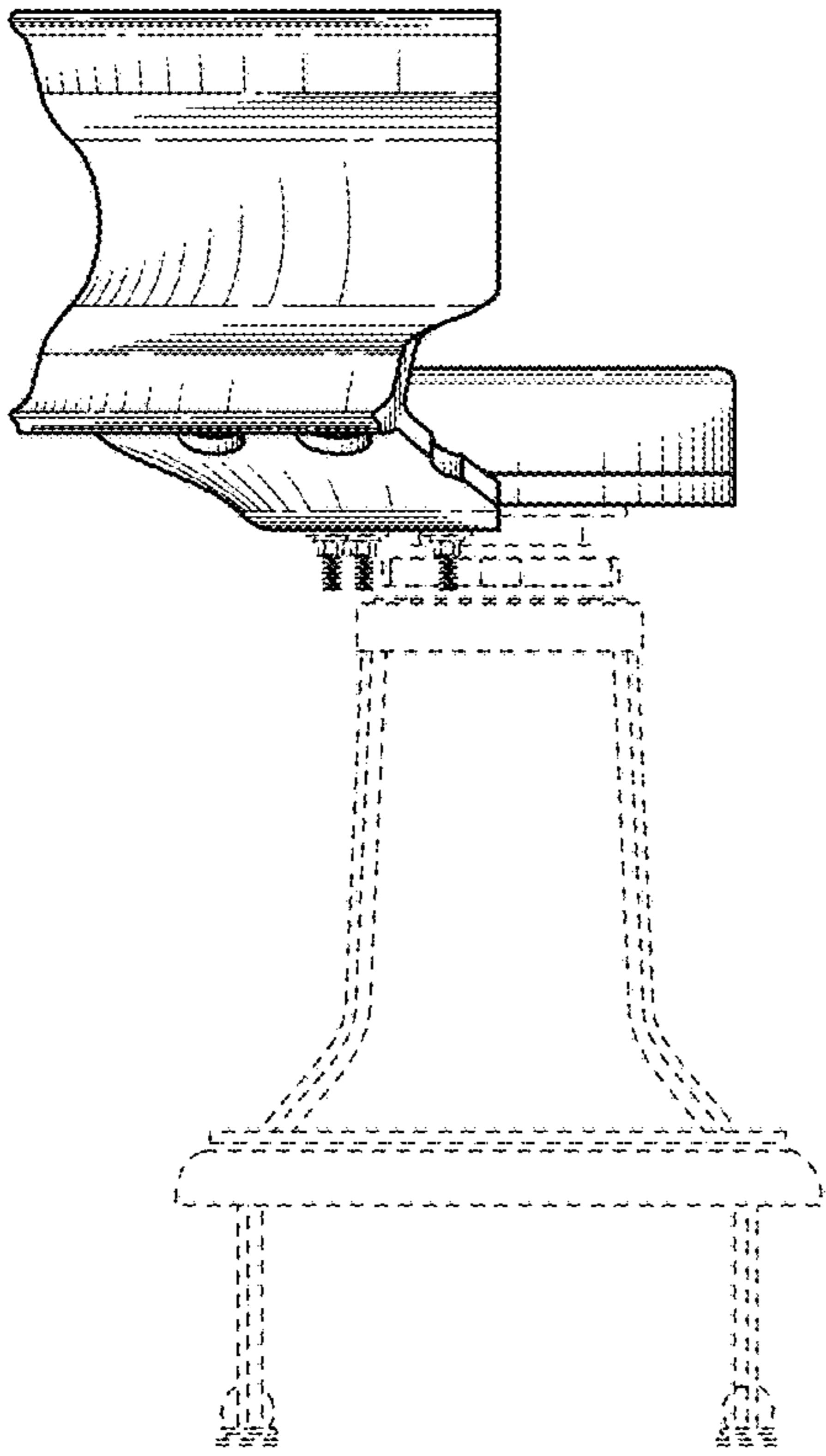


FIG. 18

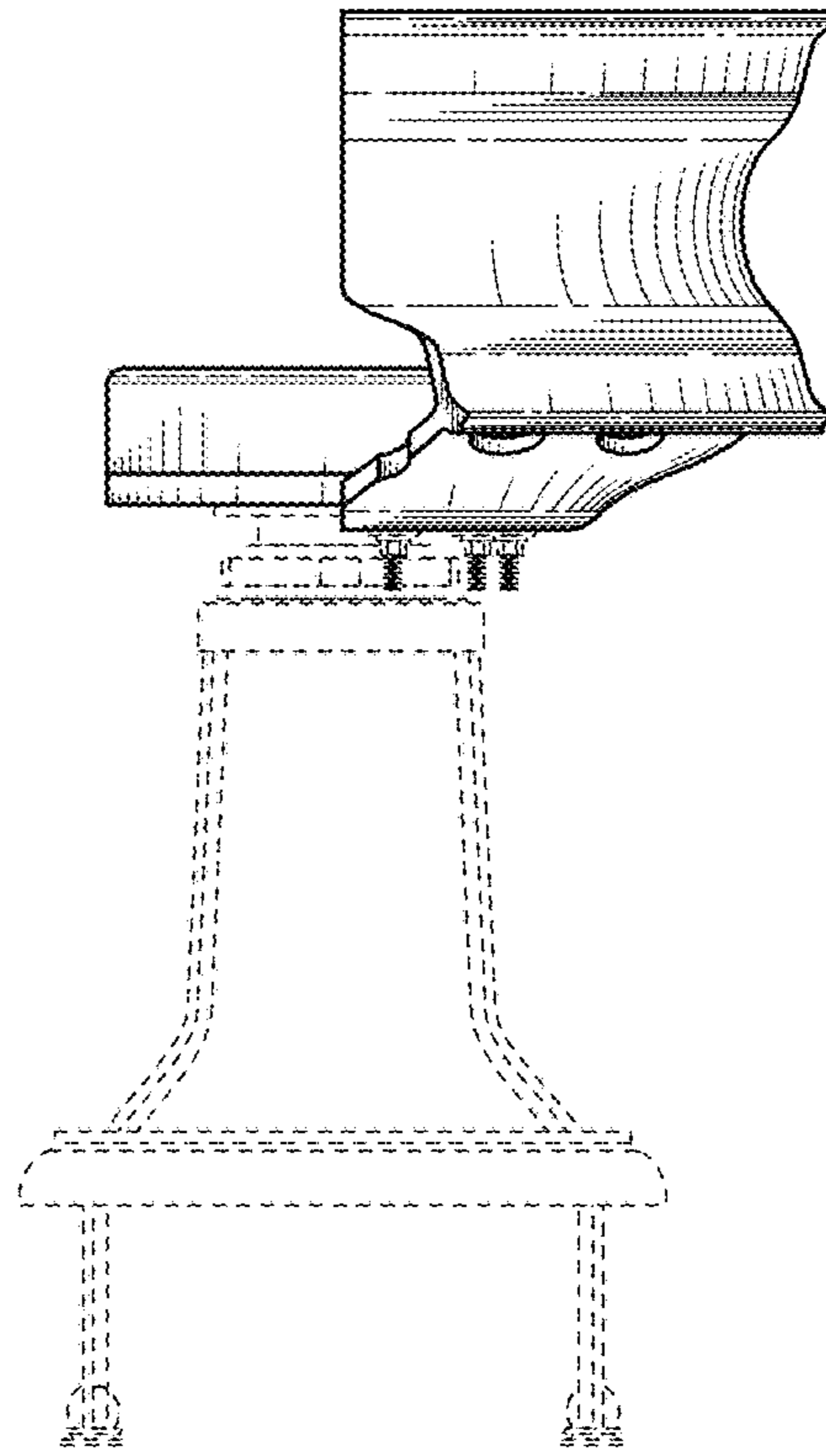


FIG. 19

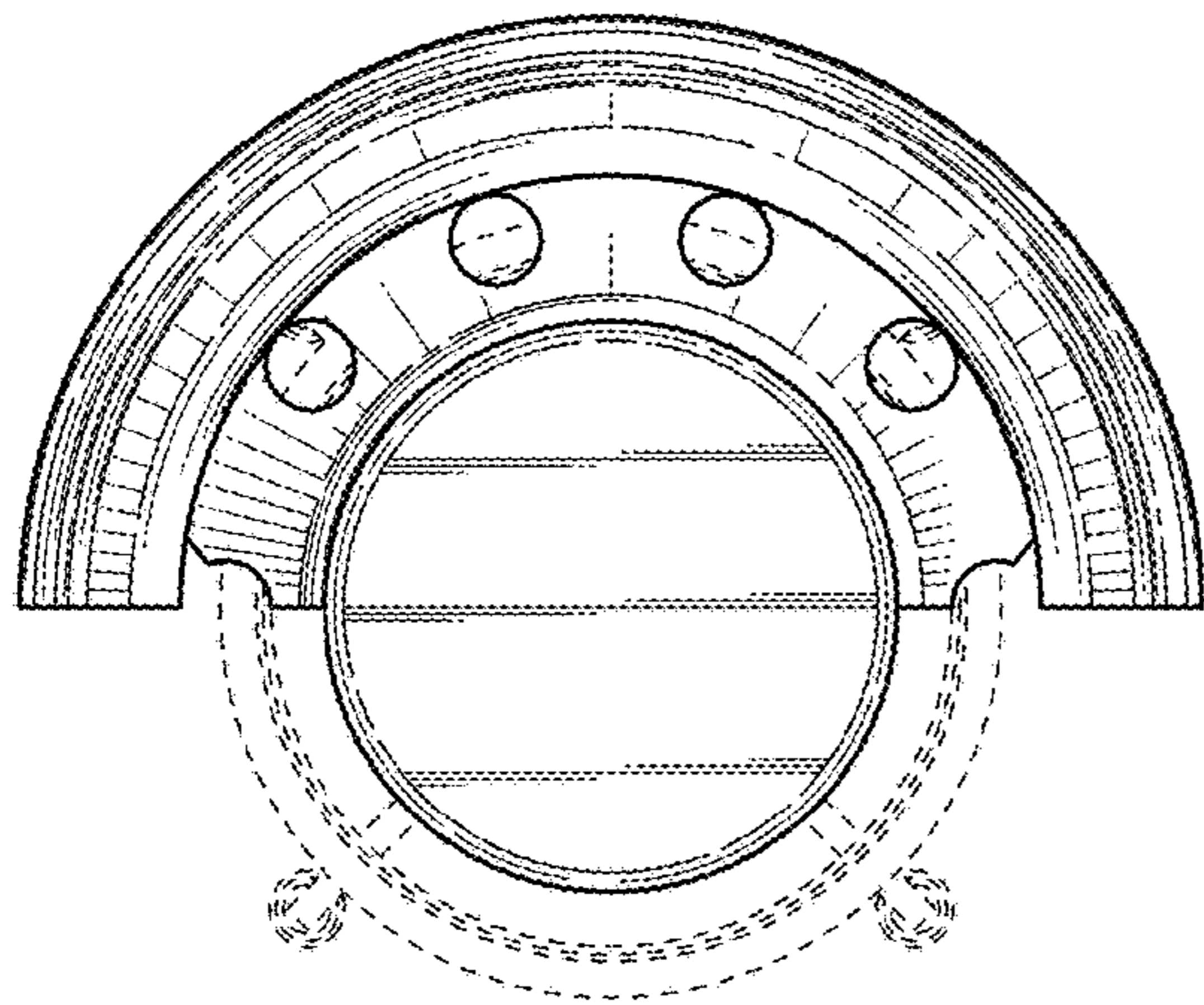


FIG. 20

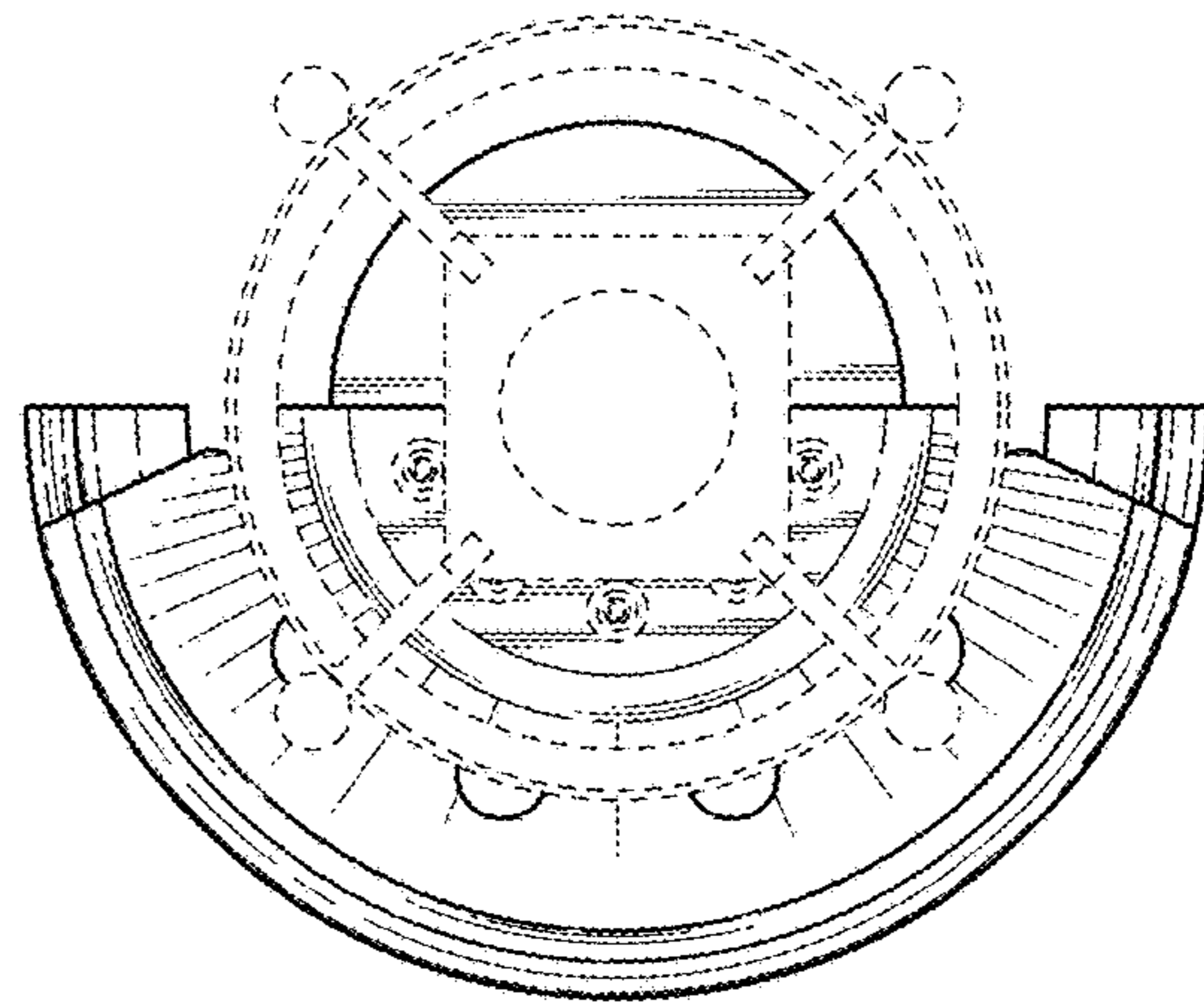


FIG. 21