



US00D785385S

(12) **United States Design Patent** (10) **Patent No.:** **US D785,385 S**  
**Traeger** (45) **Date of Patent:** **\*\* May 2, 2017**

(54) **COFFEE TABLE**  
(71) Applicant: **Philip Traeger**, San Pedro, CA (US)  
(72) Inventor: **Philip Traeger**, San Pedro, CA (US)  
(\*\*) Term: **15 Years**  
(21) Appl. No.: **29/533,241**  
(22) Filed: **Jul. 21, 2015**  
(51) **LOC (10) Cl.** ..... **06-03**  
(52) **U.S. Cl.**  
USPC ..... **D6/692**  
(58) **Field of Classification Search**  
USPC ..... D6/641, 685, 690, 692, 692.2, 708.1,  
D6/708.23; 108/150, 151, 153.1, 156,  
108/158.12; 248/188, 188.1, 188.7, 440,  
248/163.1, 431  
CPC ..... A47B 2009/006; A47B 3/06; A47B 3/08;  
A47B 3/0818; A47B 3/12; A47B 11/00;  
A47B 13/02; A47B 13/04; A47B 13/12  
See application file for complete search history.

(56) **References Cited**  
U.S. PATENT DOCUMENTS  
2,759,780 A \* 8/1956 Barker, Jr. .... A47B 3/12  
108/157.17  
3,074,771 A \* 1/1963 Wilson ..... A47B 9/00  
108/12  
3,396,933 A \* 8/1968 Ward ..... A47B 13/04  
108/118  
D291,393 S \* 8/1987 Livi ..... D6/692  
D311,840 S \* 11/1990 Glendinning ..... D6/708  
D337,010 S \* 7/1993 Bennett ..... D6/692  
6,132,129 A \* 10/2000 Frazier ..... A47B 13/04  
403/217  
D541,560 S \* 5/2007 Muller ..... D6/708  
D566,996 S \* 4/2008 Muller ..... D6/708  
D566,997 S \* 4/2008 Muller ..... D26/111  
D591,984 S \* 5/2009 Steigerwalt ..... D6/708  
D604,066 S \* 11/2009 Muller ..... D6/708

D613,974 S \* 4/2010 Muller ..... D6/708  
D627,993 S \* 11/2010 Peart ..... D6/708  
D642,406 S \* 8/2011 Sofield ..... D6/691.8  
D661,923 S \* 6/2012 McCracken ..... D6/691  
D662,730 S \* 7/2012 Villiers ..... D6/692  
D675,847 S \* 2/2013 Mehran ..... D6/691  
D679,522 S \* 4/2013 Hamill ..... D6/692  
D738,654 S \* 9/2015 Xiong ..... D6/708.16

\* cited by examiner

*Primary Examiner* — John Windmuller  
*Assistant Examiner* — Steven Czyz  
(74) *Attorney, Agent, or Firm* — Robert J. Lauson;  
Lauson & Tarver LLP

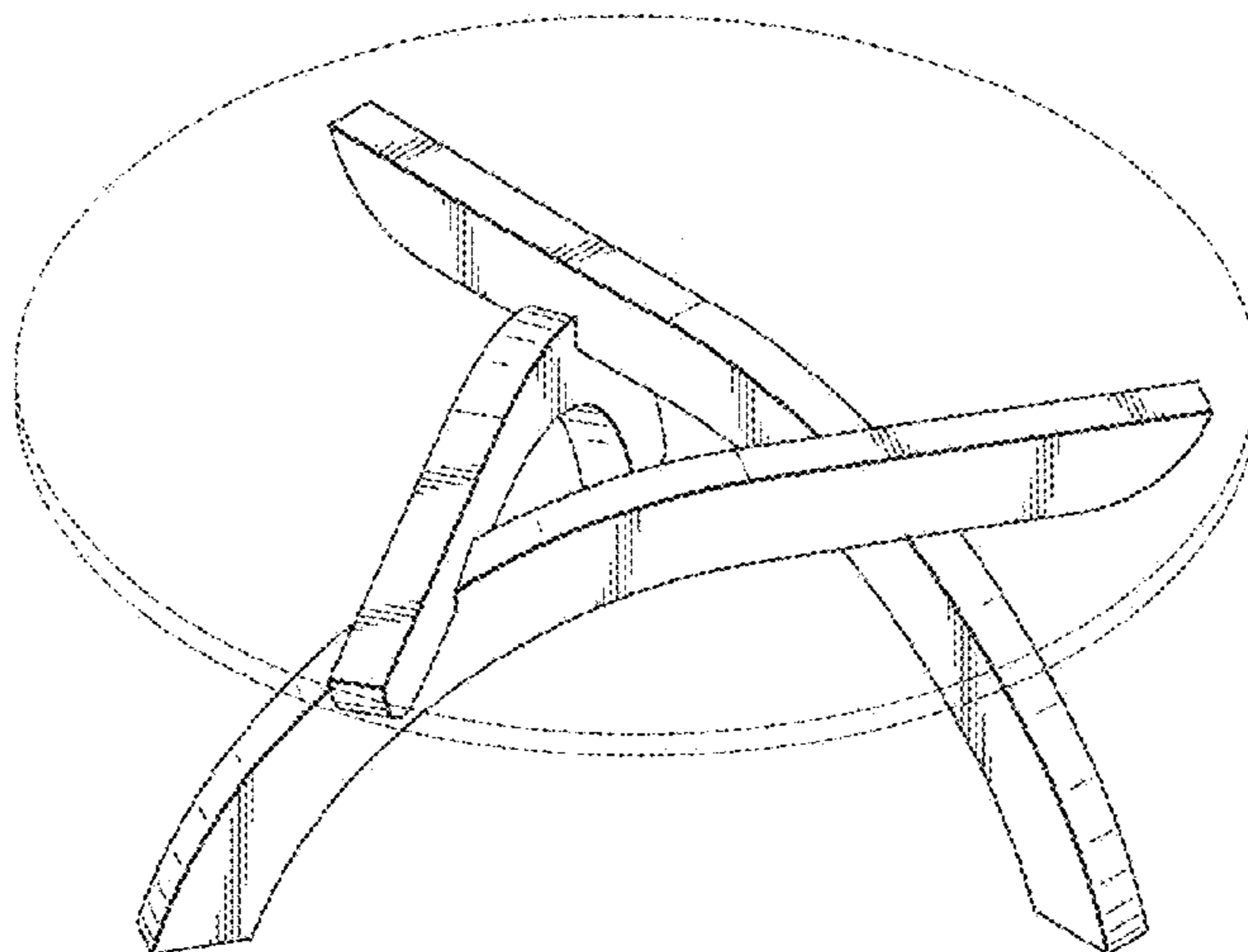
(57) **CLAIM**

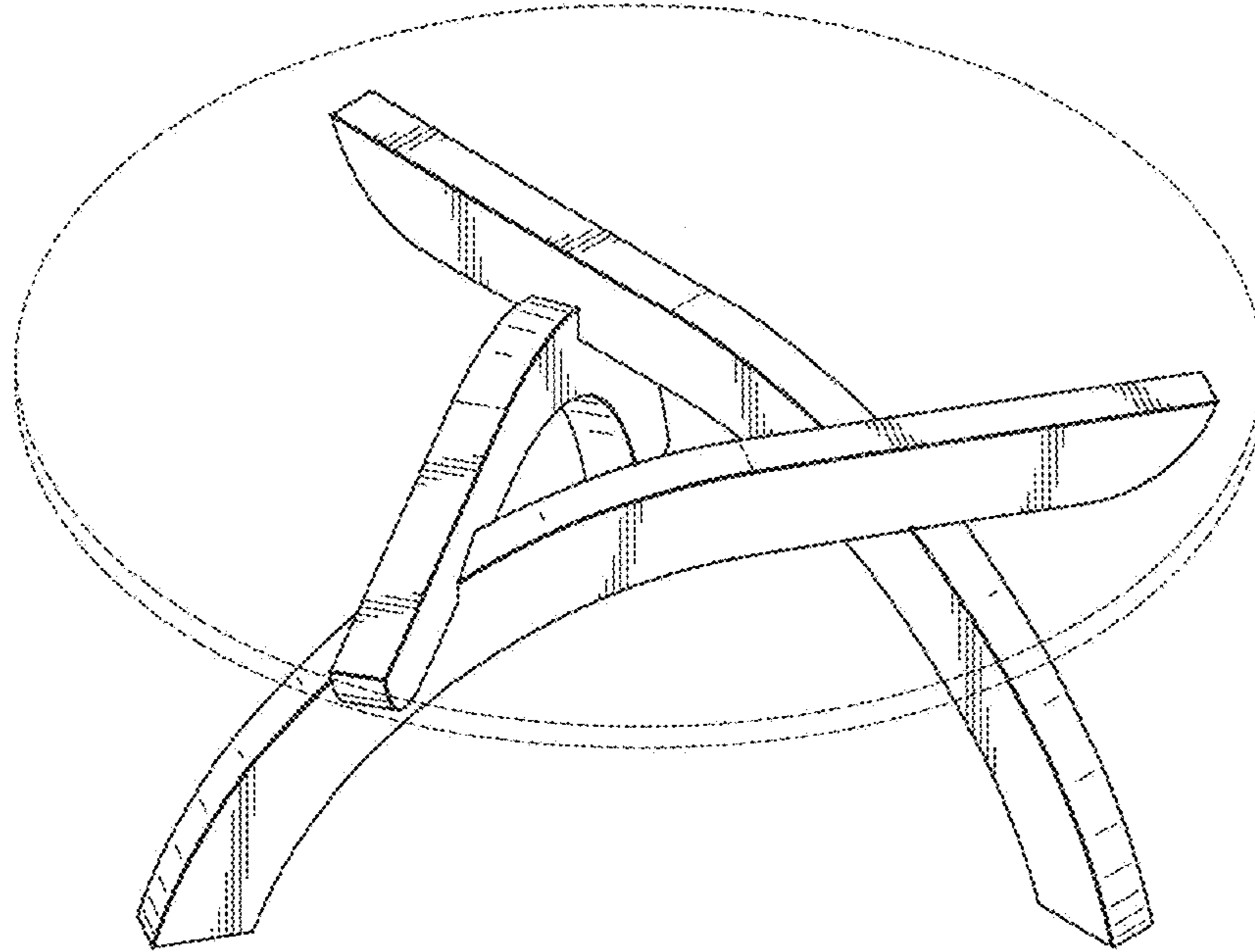
The ornamental design for a coffee table, as shown and described.

**DESCRIPTION**

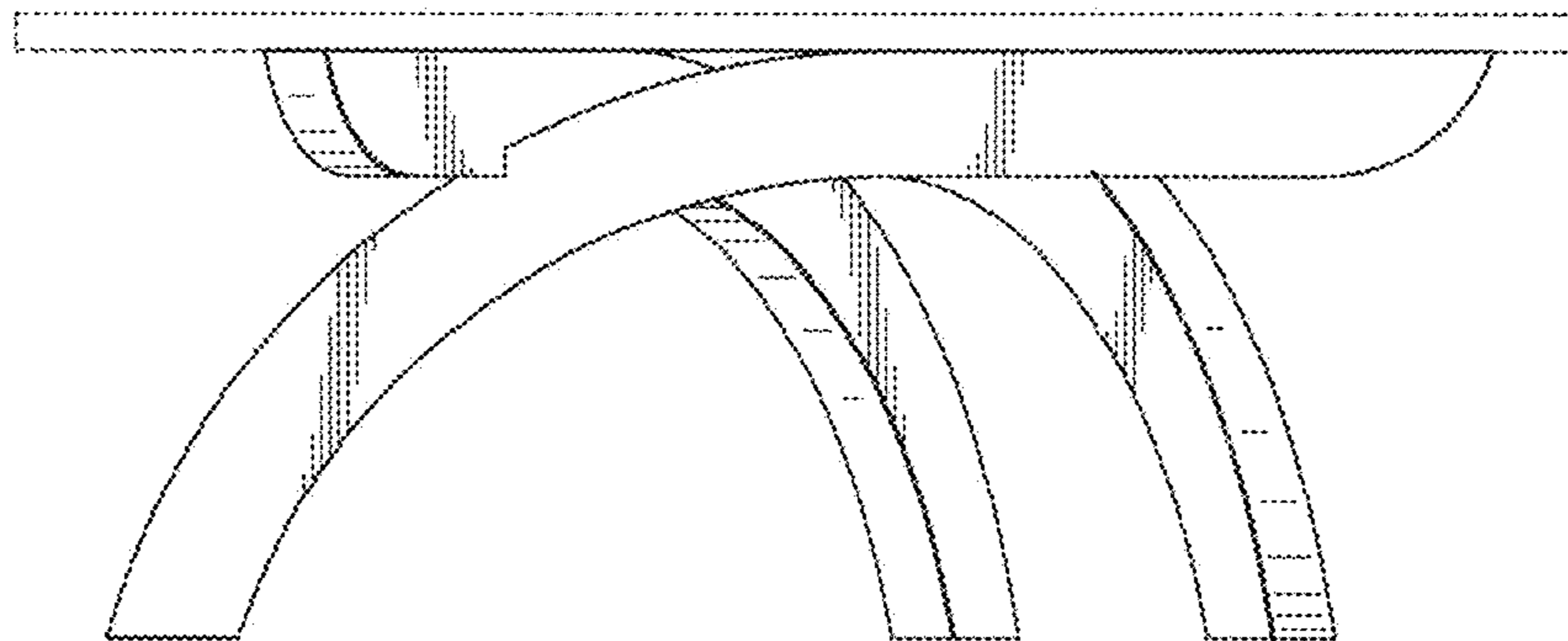
FIG. 1 is a perspective view of a coffee table;  
FIG. 2 is a front view thereof;  
FIG. 3 is a rear view thereof;  
FIG. 4 is a right side elevation view thereof;  
FIG. 5 is a left side elevation view thereof;  
FIG. 6 is a top view thereof;  
FIG. 7 is a bottom view thereof;  
FIG. 8 is a perspective view of the coffee table shown in an alternate state;  
FIG. 9 is a front view thereof;  
FIG. 10 is a rear view thereof;  
FIG. 11 is a right side elevation view thereof;  
FIG. 12 is a left side elevation view thereof;  
FIG. 13 is a top view thereof; and,  
FIG. 14 is a bottom view thereof.  
The broken lines depict portions of the coffee table that form no part of the claimed design.  
The second embodiment is an inverted version of the first embodiment but otherwise identical.

**1 Claim, 6 Drawing Sheets**

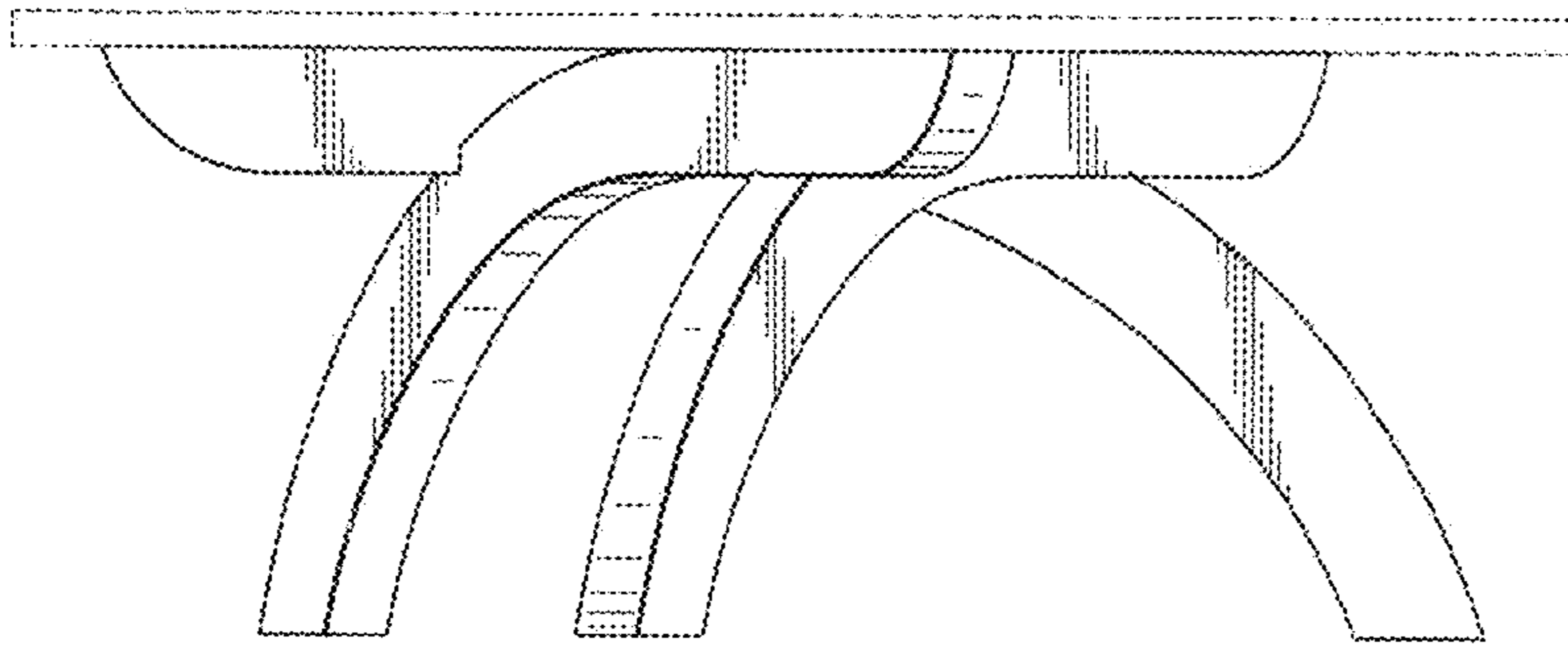




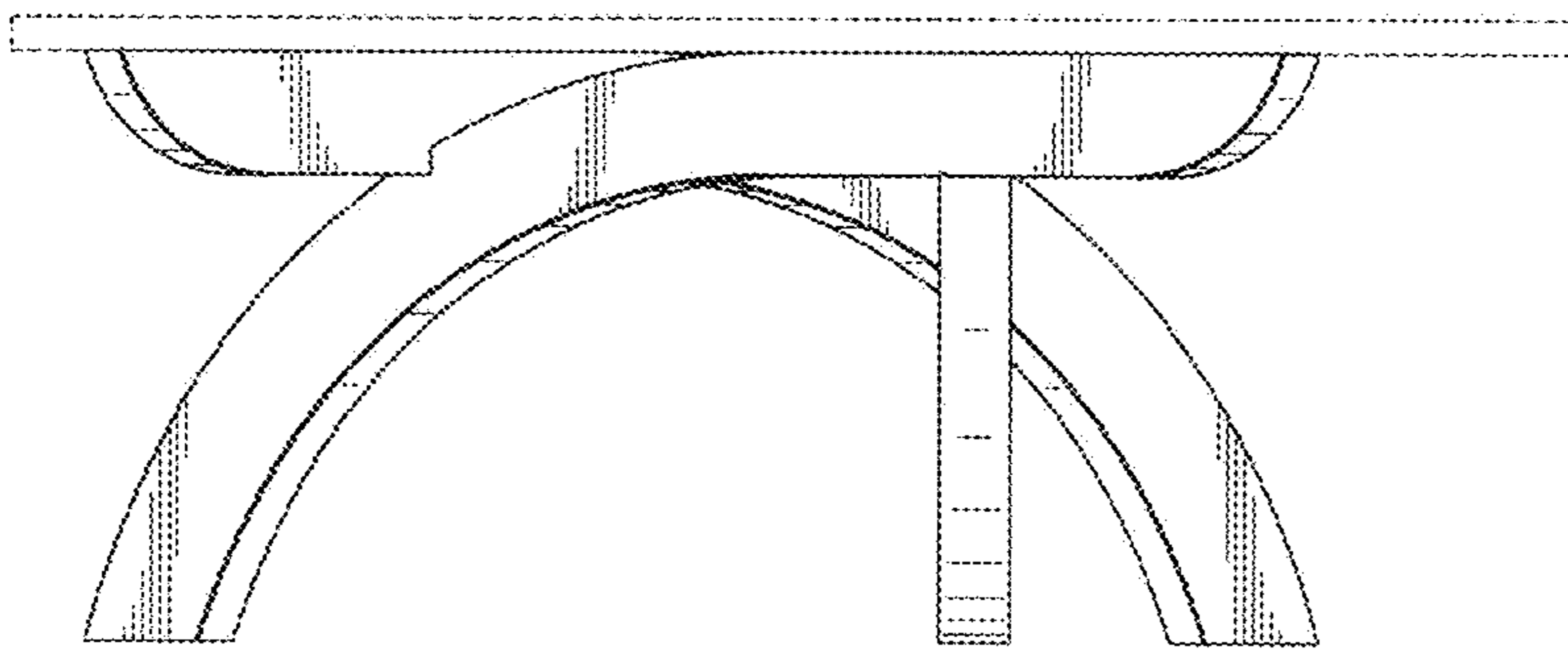
*FIG. 1*



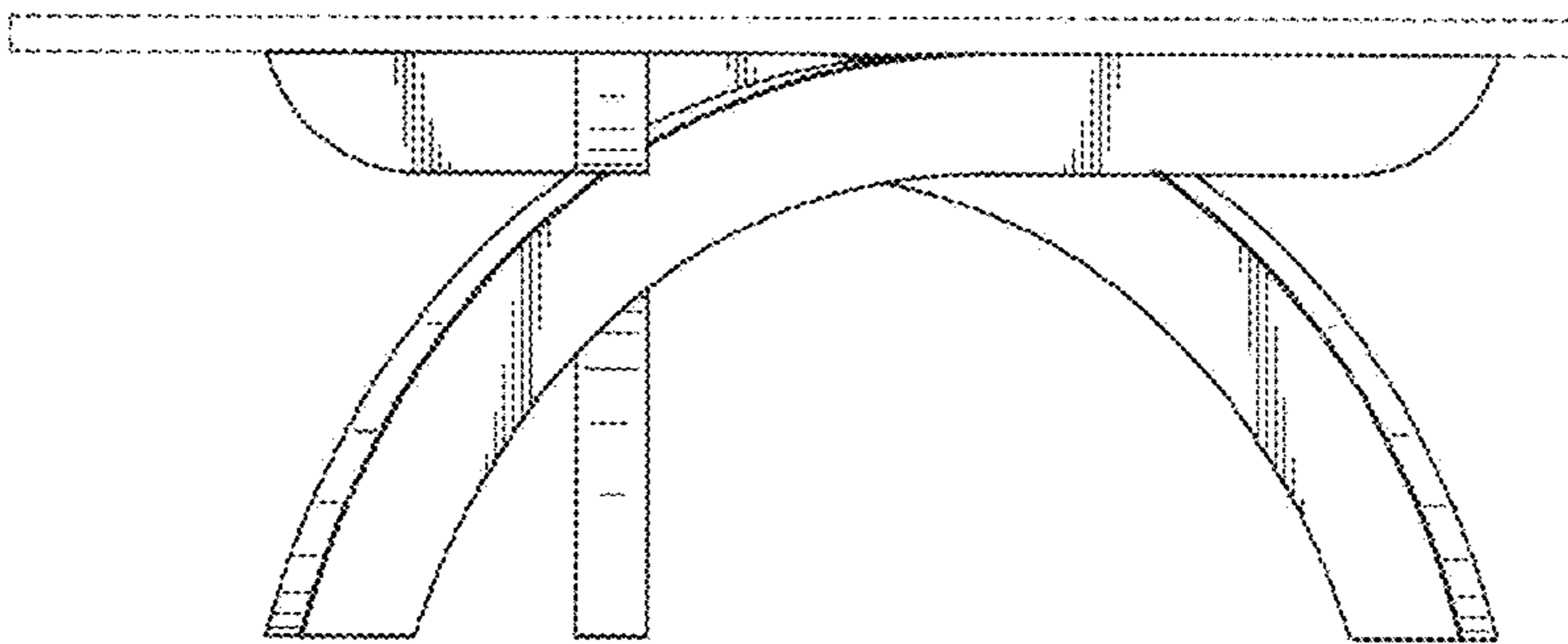
*FIG. 2*



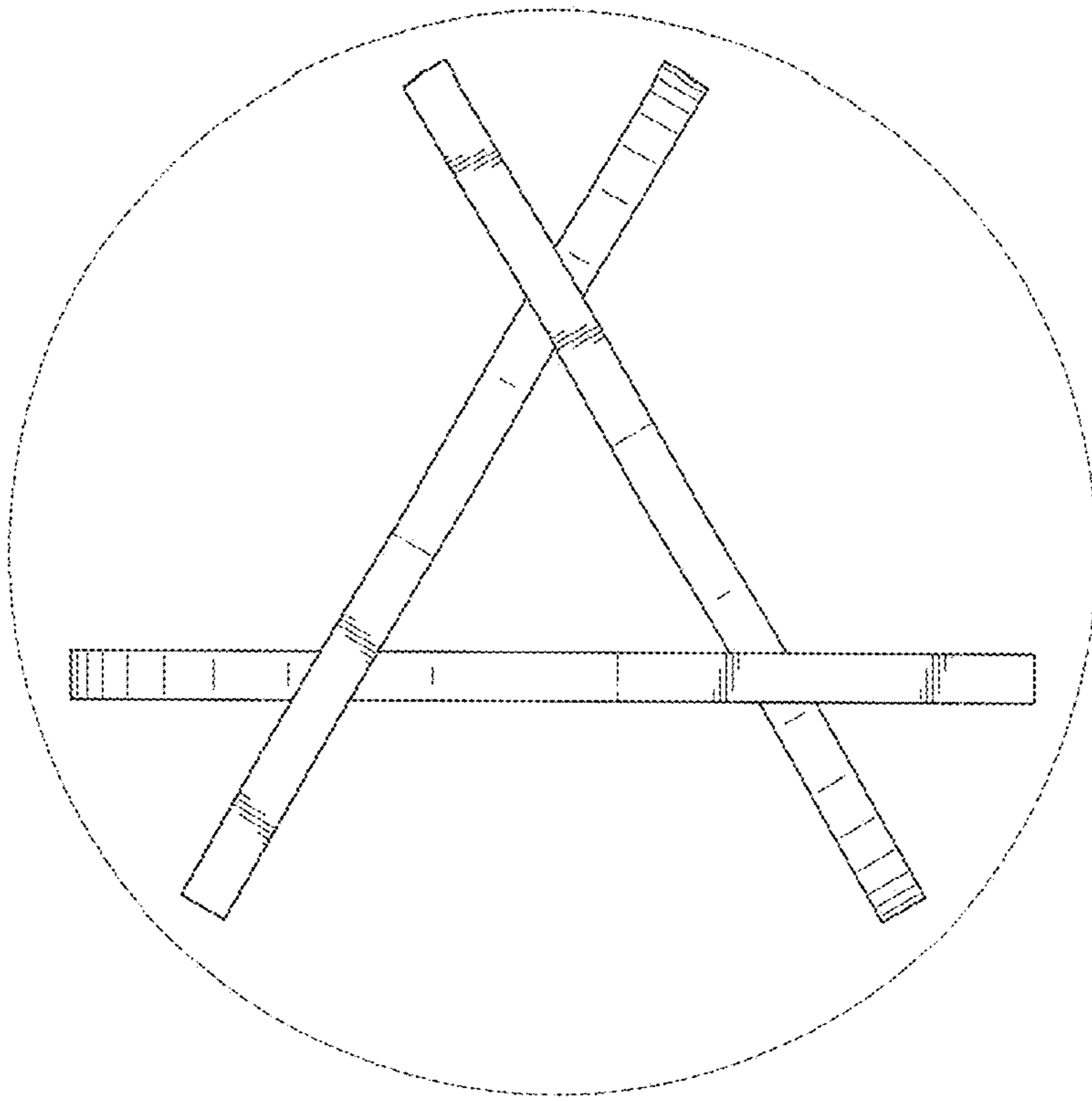
*FIG. 3*



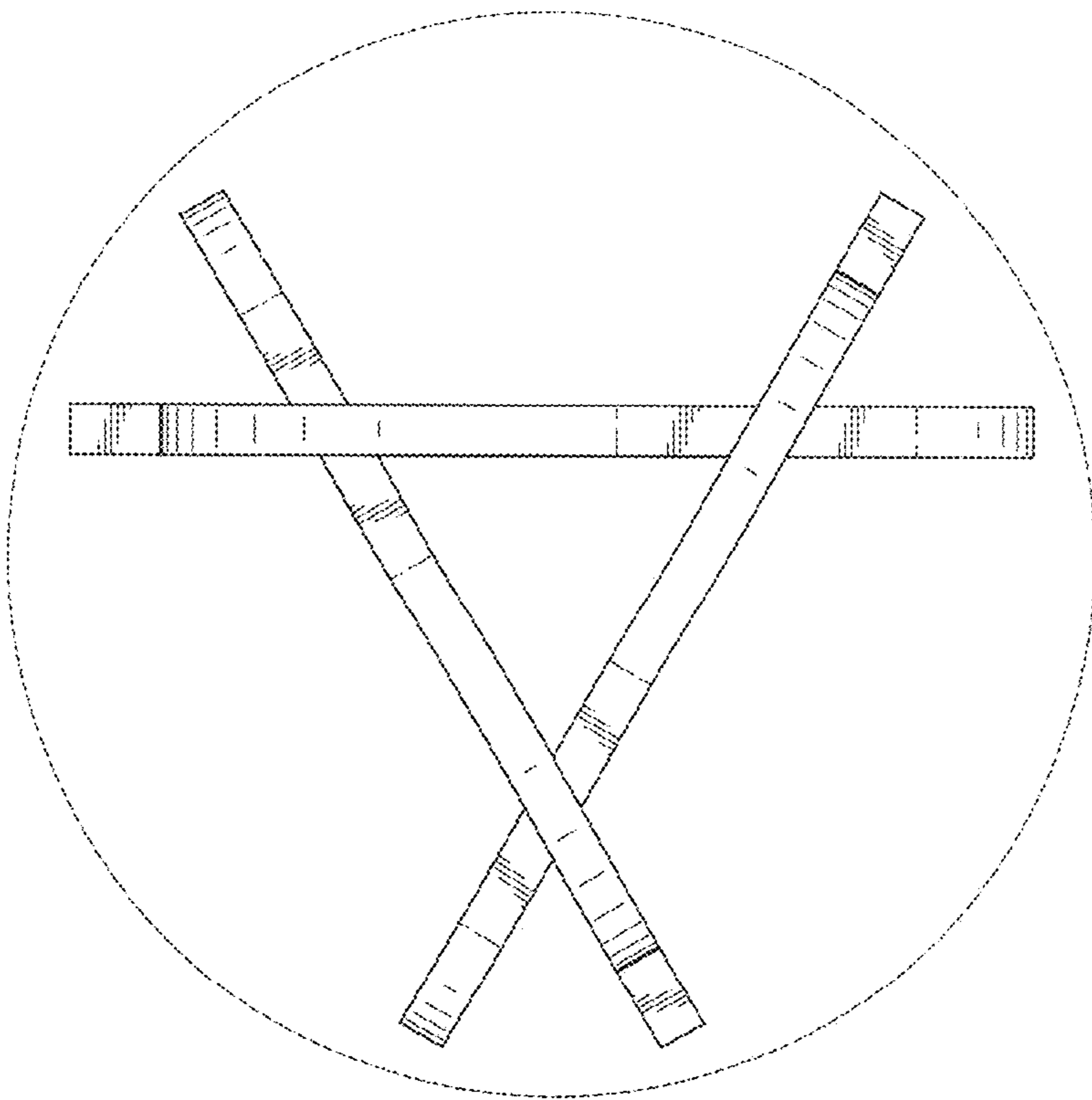
*FIG. 4*



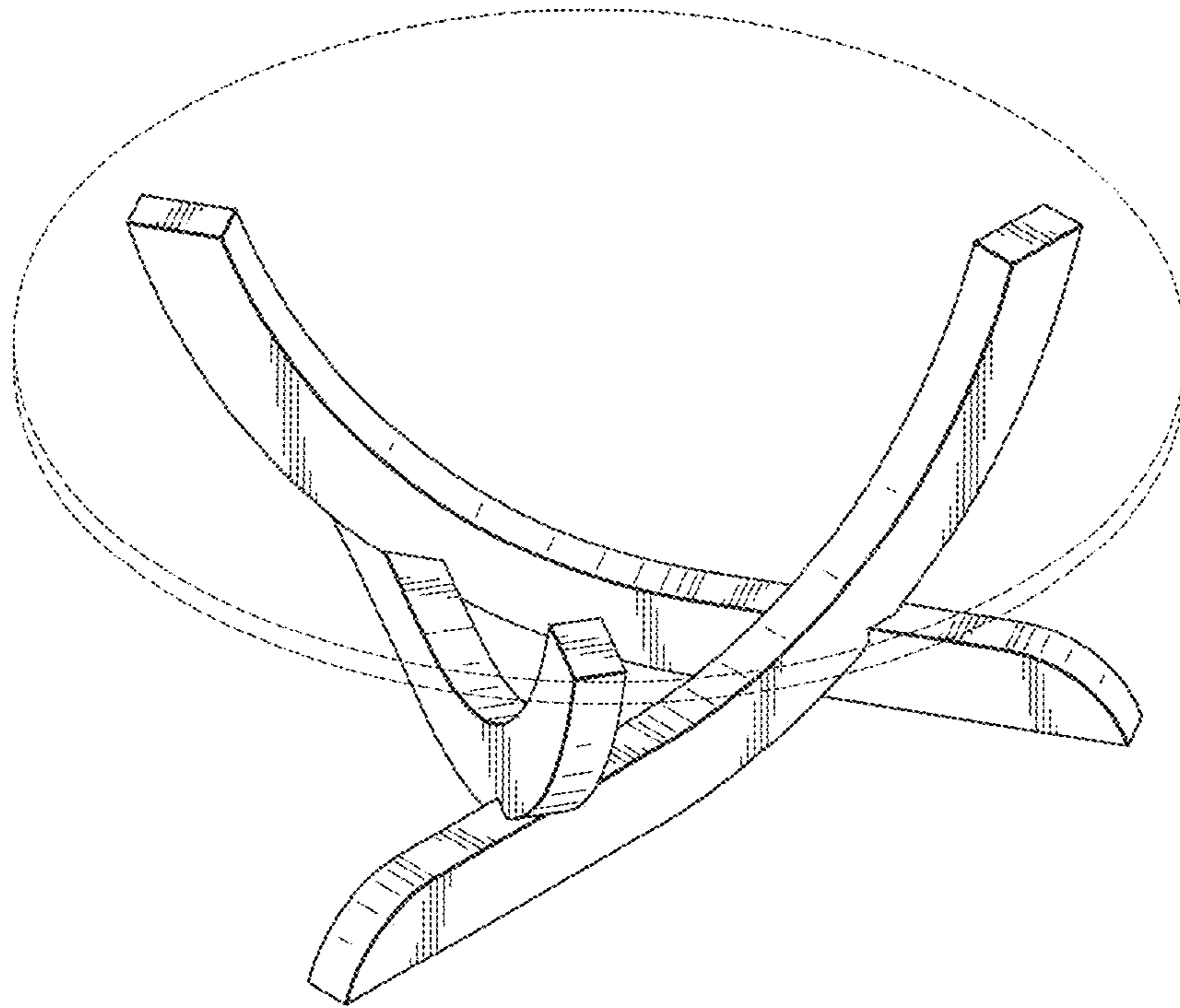
*FIG. 5*



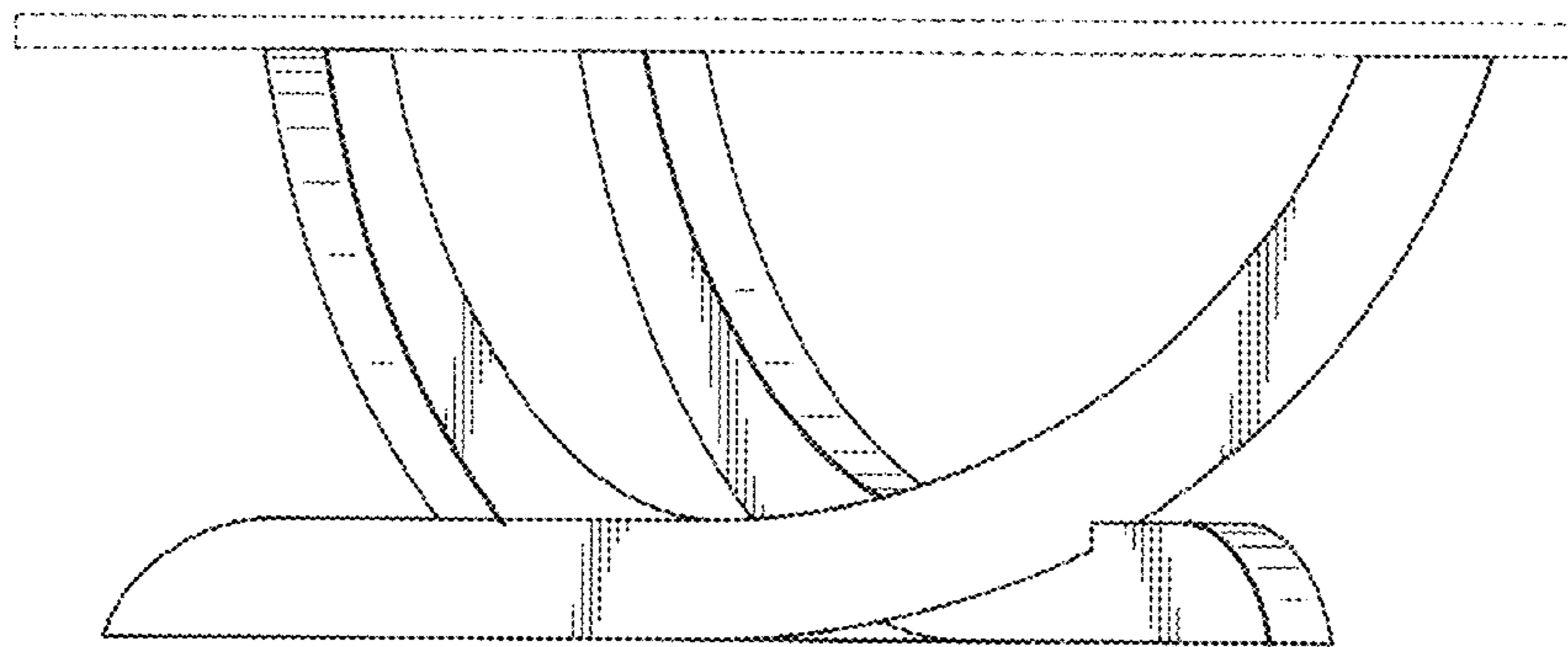
*FIG. 6*



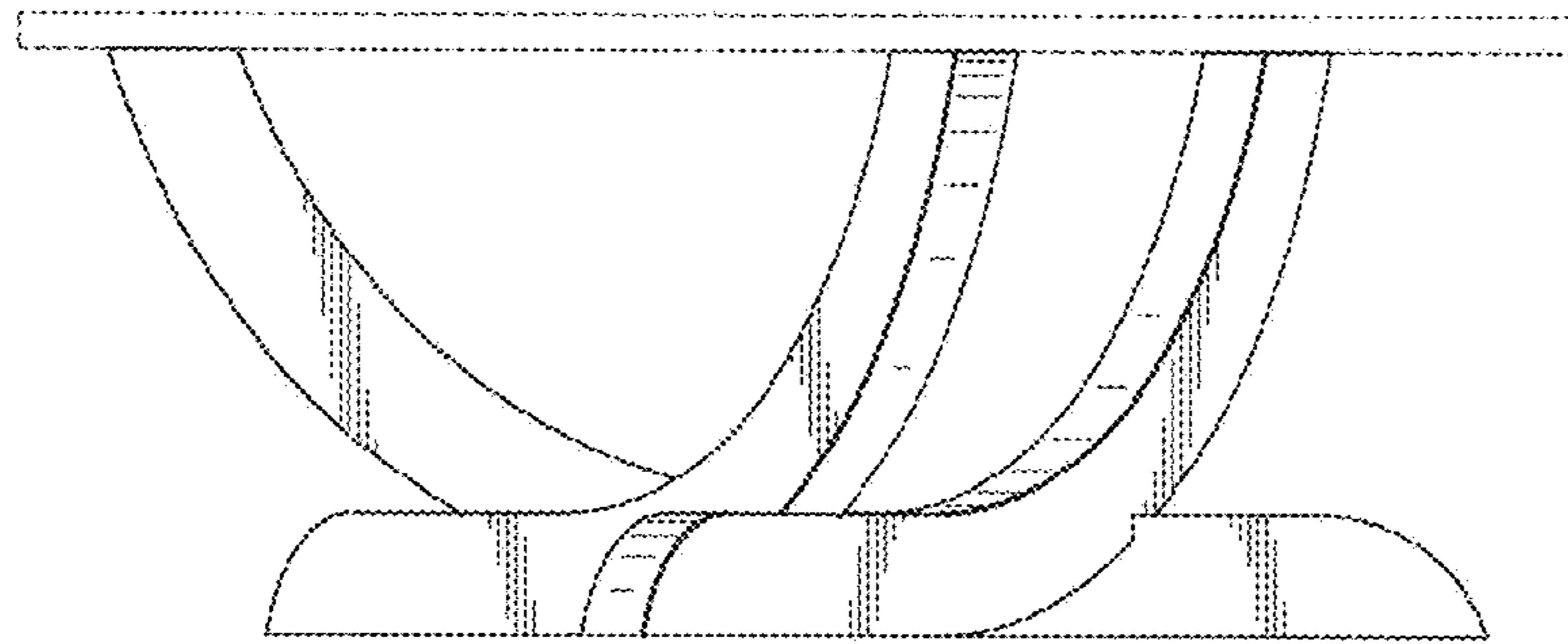
*FIG. 7*



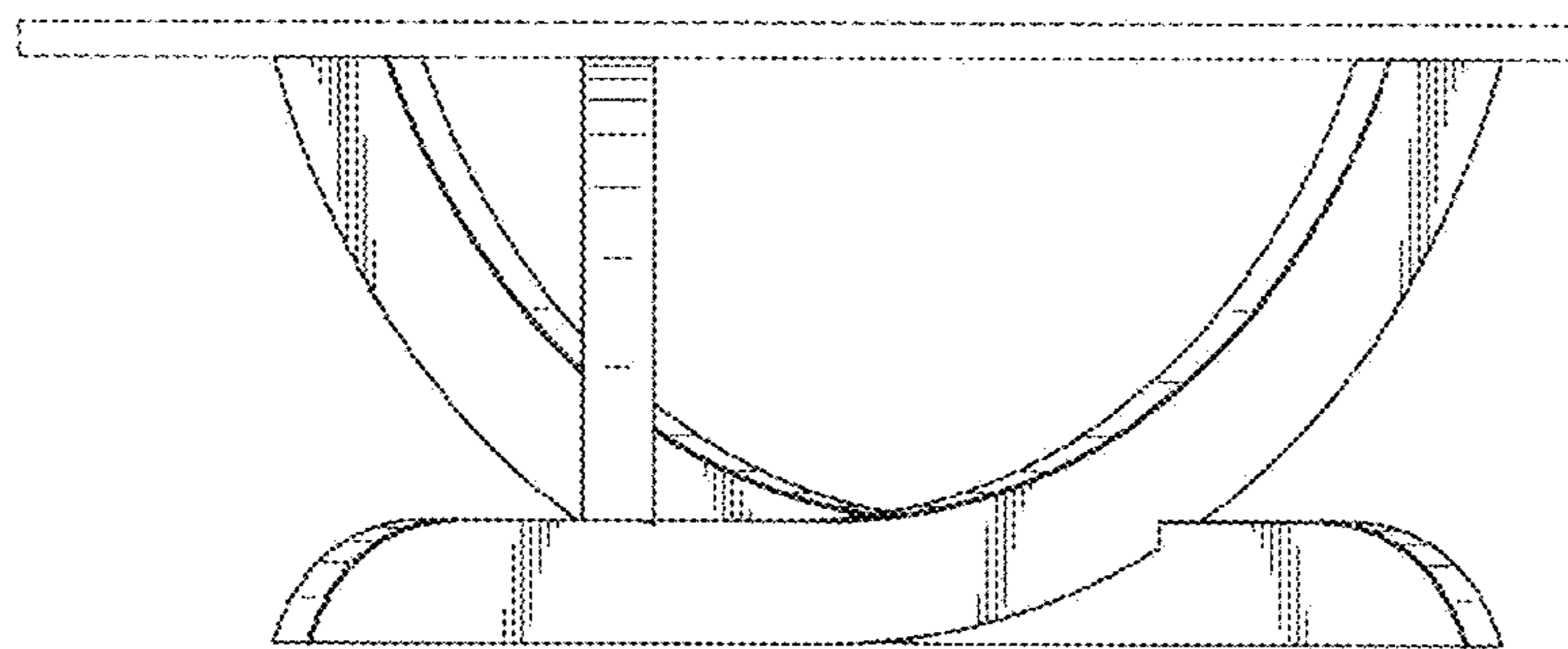
*FIG. 8*



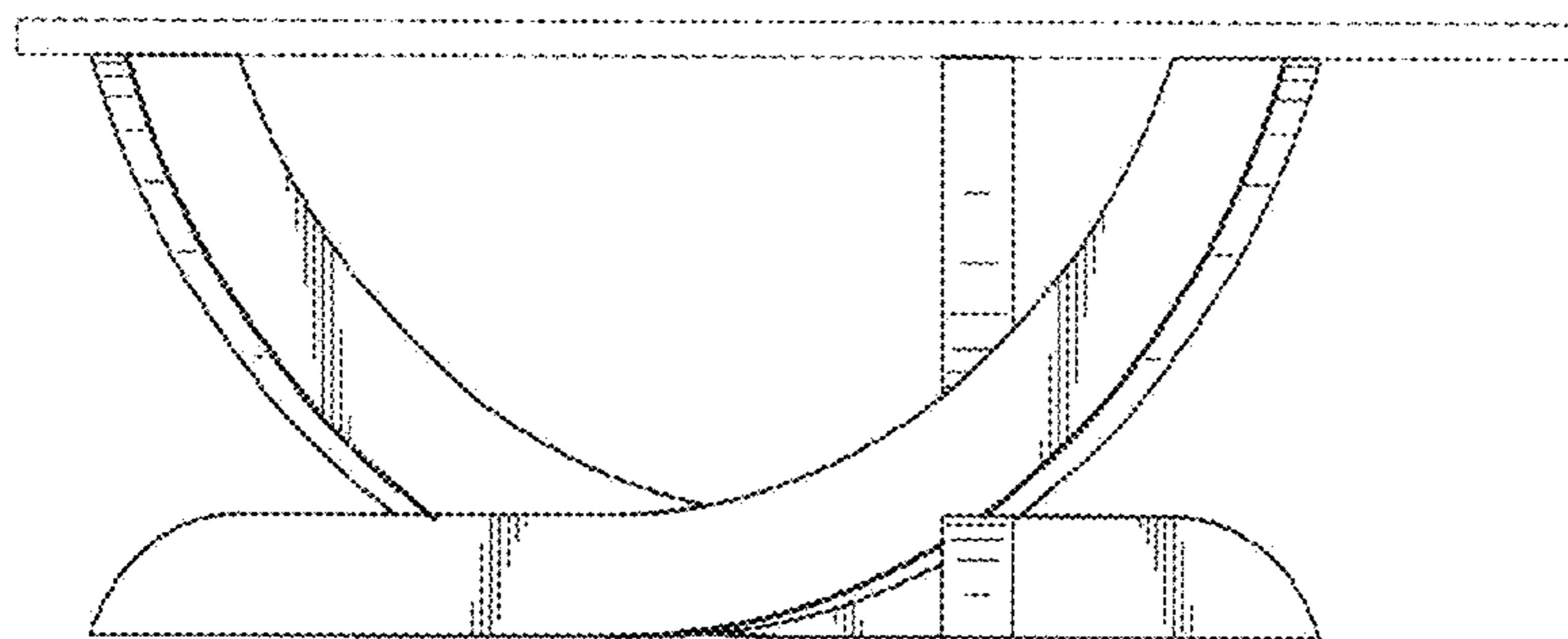
*FIG. 9*



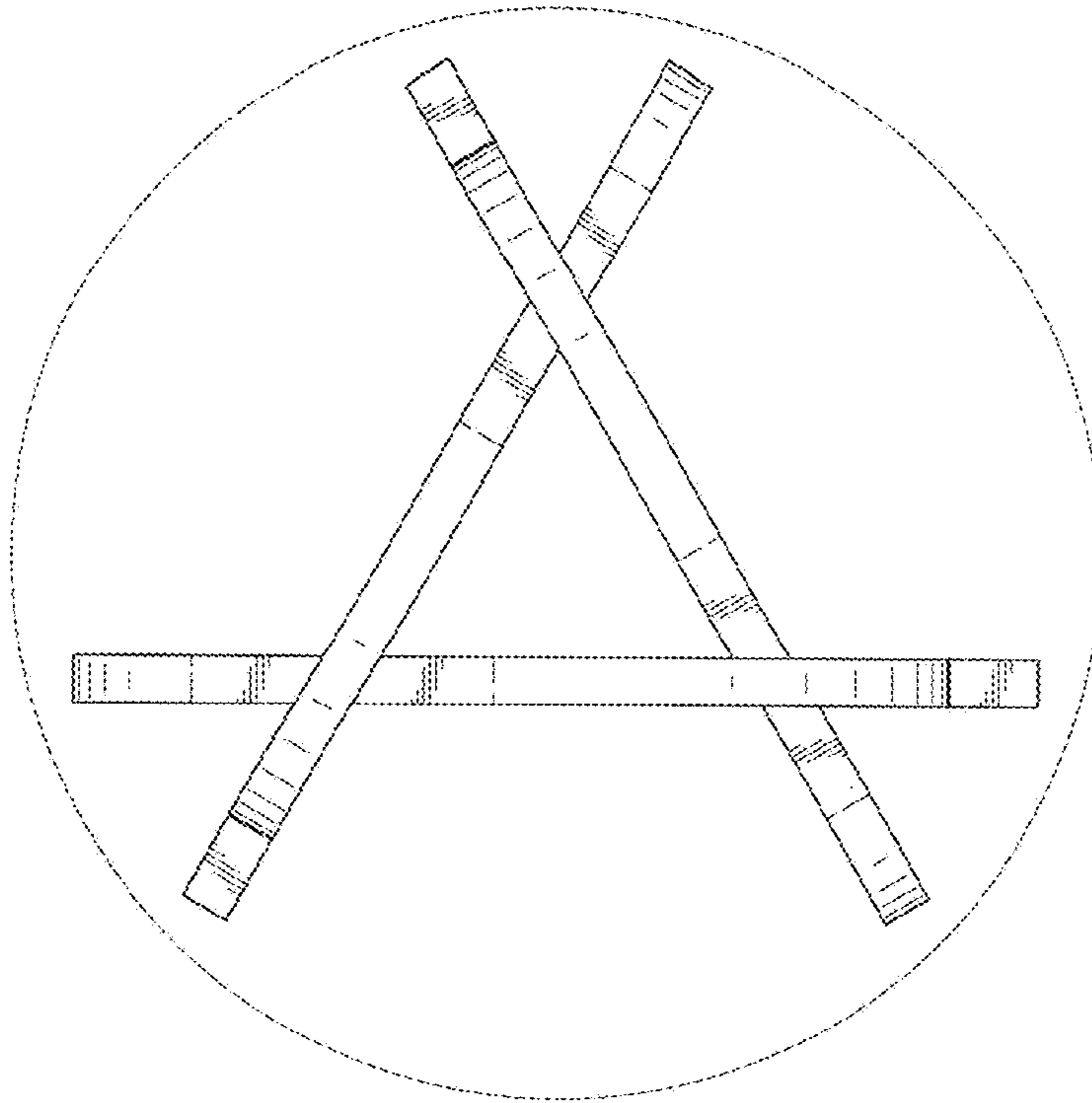
*FIG. 10*



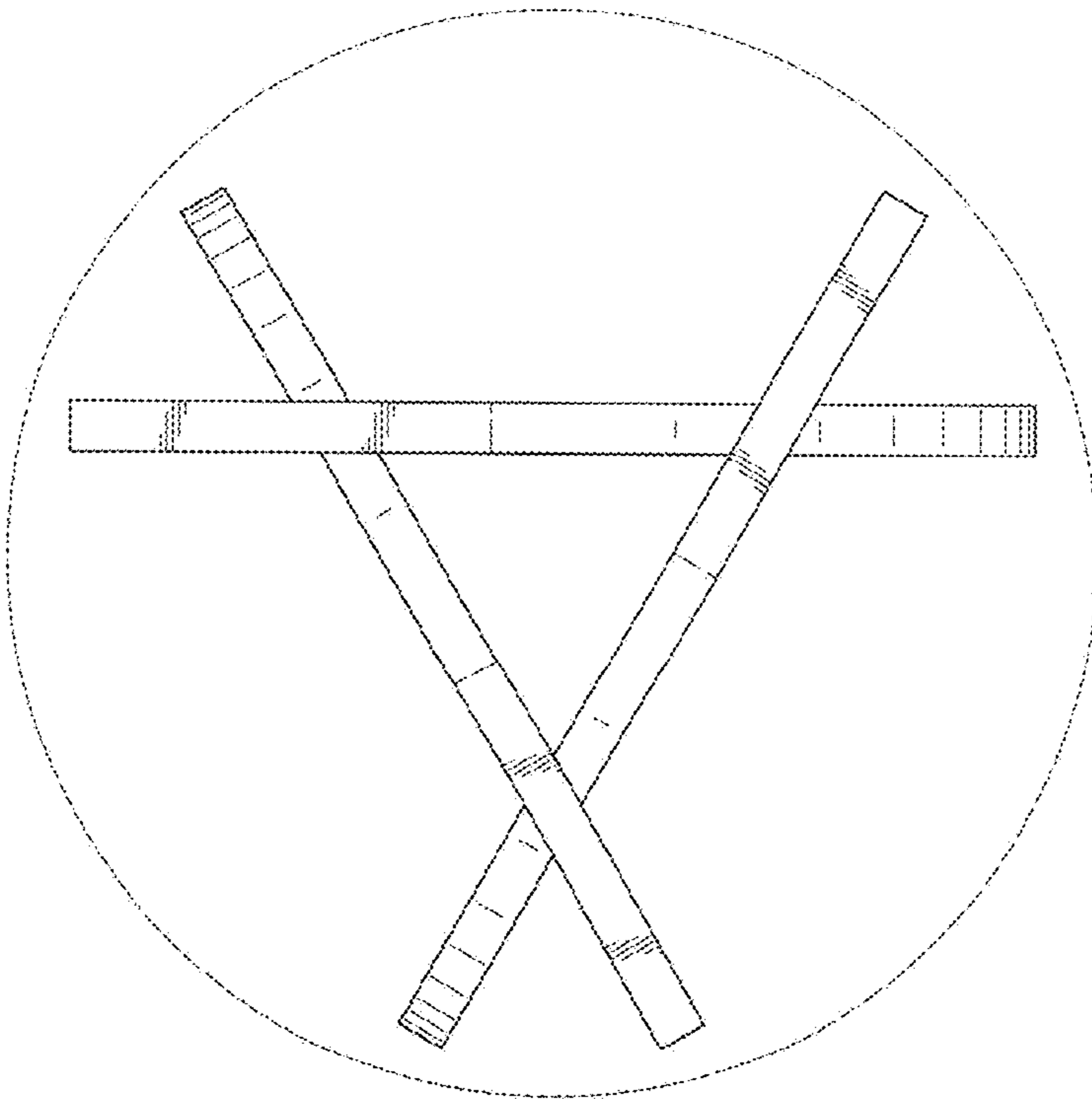
*FIG. 11*



*FIG. 12*



*FIG. 13*



*FIG. 14*