



US00D785384S

(12) **United States Design Patent** (10) **Patent No.:** **US D785,384 S**
Bettin (45) **Date of Patent:** **** May 2, 2017**

(54) **TABLE**

(71) Applicant: **Dario Bettin**, Bari (IT)

(72) Inventor: **Dario Bettin**, Bari (IT)

(**) Term: **15 Years**

(21) Appl. No.: **29/537,976**

(22) Filed: **Aug. 31, 2015**

(51) **LOC (10) Cl.** **06-03**

(52) **U.S. Cl.**
USPC **D6/691.7**

(58) **Field of Classification Search**
USPC D6/707.1, 642, 655.2, 685, 691, 691.6,
D6/691.7, 688.13, 691.1, 691.2, 691.8,
D6/691.9, 701, 707, 707.19, 707.23, 641,
D6/644, 656, 657, 656.19, 691.4, 691.5,
D6/691.3, 650, 708.23, 708.24
CPC A47B 7/00; A47B 13/08; A47B 13/10;
A47B 21/00; A47B 2009/006; A47B
11/00

See application file for complete search history.

(56) **References Cited**

U.S. PATENT DOCUMENTS

D96,633 S * 8/1935 Swanson D6/691.7
2,717,815 A * 9/1955 Hubbard A47B 13/08
108/161
D220,704 S * 5/1971 Kramer D6/691.8
D281,555 S * 12/1985 Levy D6/406.6
D385,126 S * 10/1997 Howland D6/406.6
D510,492 S * 10/2005 Sakurai D6/709
D514,356 S * 2/2006 Ng D6/691

D558,489 S * 1/2008 Christensen D6/691.5
D588,380 S * 3/2009 Bucholz D6/691.5
D608,568 S * 1/2010 Manz D6/691.5
D637,836 S * 5/2011 Cortivo D6/656
D683,161 S * 5/2013 Polloni D6/691.8
D703,465 S * 4/2014 Weatherly D6/656.16
D711,670 S * 8/2014 Woods D6/681
8,967,054 B2 * 3/2015 Henriott A47B 13/06
108/147.19
D729,557 S * 5/2015 Jiang D6/691
D757,471 S * 5/2016 Domingo D6/691
D757,473 S * 5/2016 Thompson D6/691.4
D758,113 S * 6/2016 Domingo D6/691

OTHER PUBLICATIONS

Techfurniture. Metal Tables. Received Mar. 23, 1976. [Catalogue retrieved on Jul. 29, 2016].*

* cited by examiner

Primary Examiner — Mary Ann Calabrese
Assistant Examiner — Sloan Rozin
(74) *Attorney, Agent, or Firm* — Egbert Law Offices,
PLLC

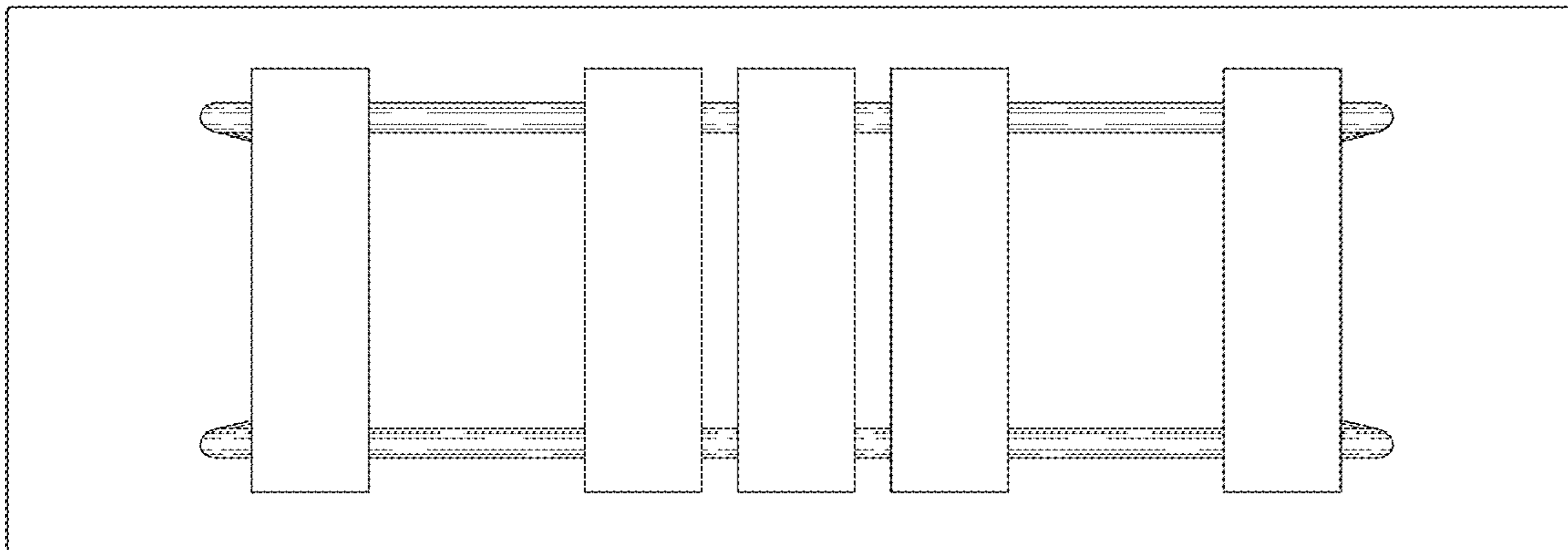
(57) **CLAIM**

The ornamental design for a table, as shown and described.

DESCRIPTION

FIG. 1 is a front perspective view of a table showing my new design.
FIG. 2 is a top view thereof;
FIG. 3 is a side perspective view thereof; and,
FIG. 4 is a top perspective view thereof.

1 Claim, 2 Drawing Sheets



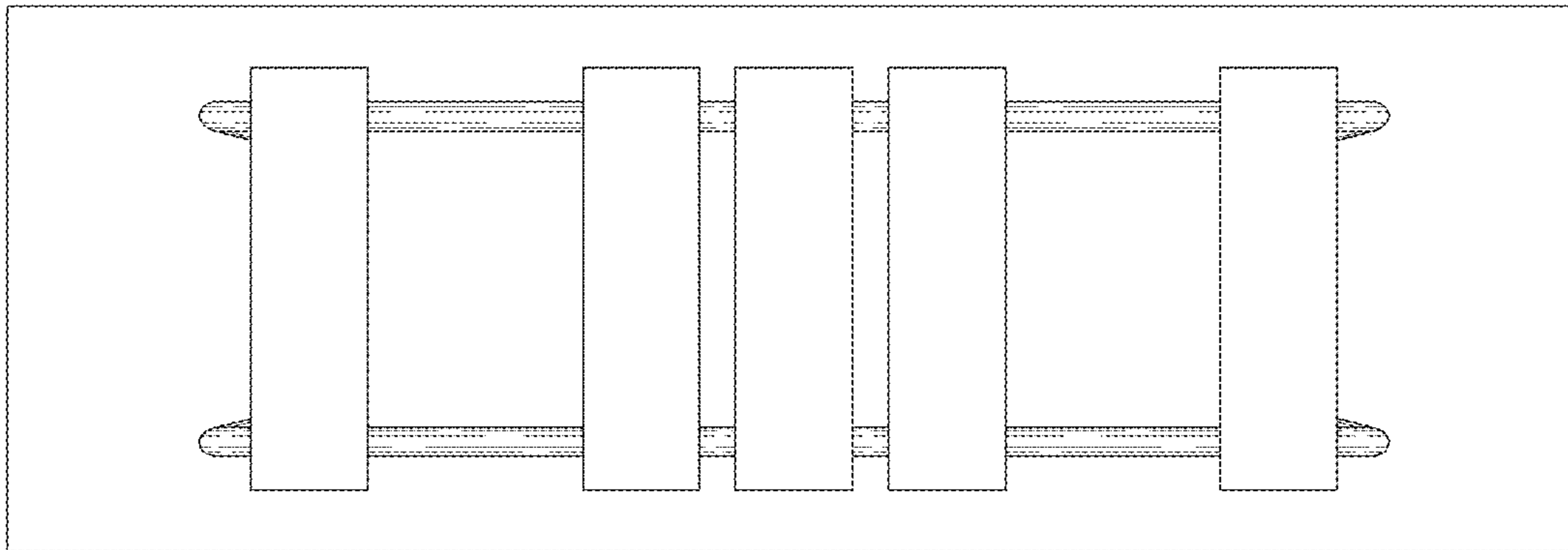


FIG. 1

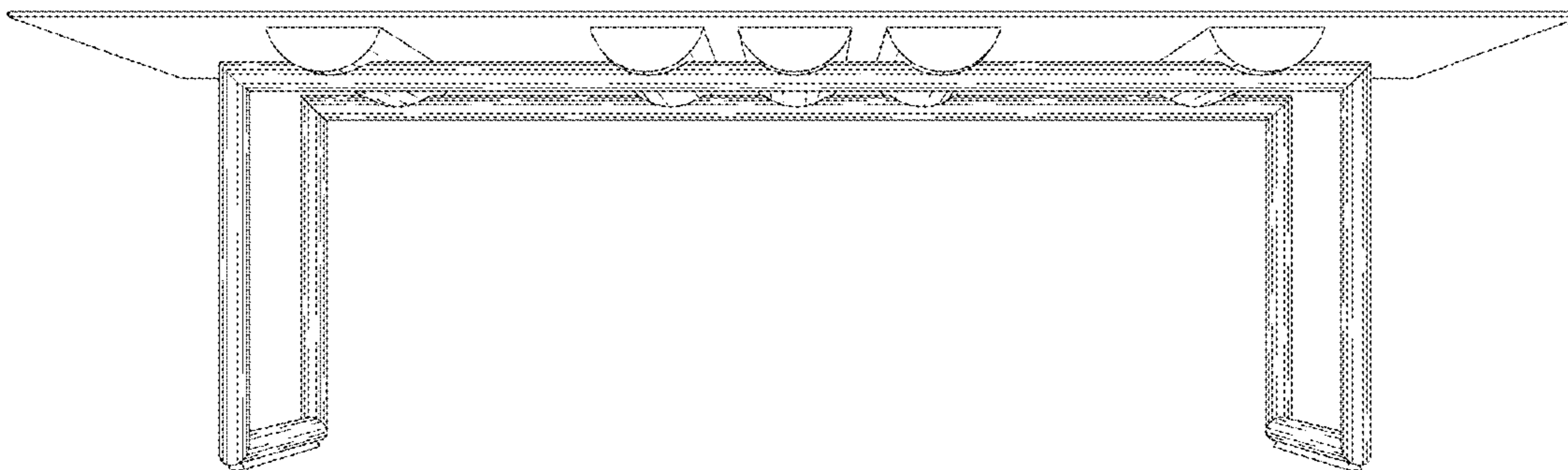


FIG. 2

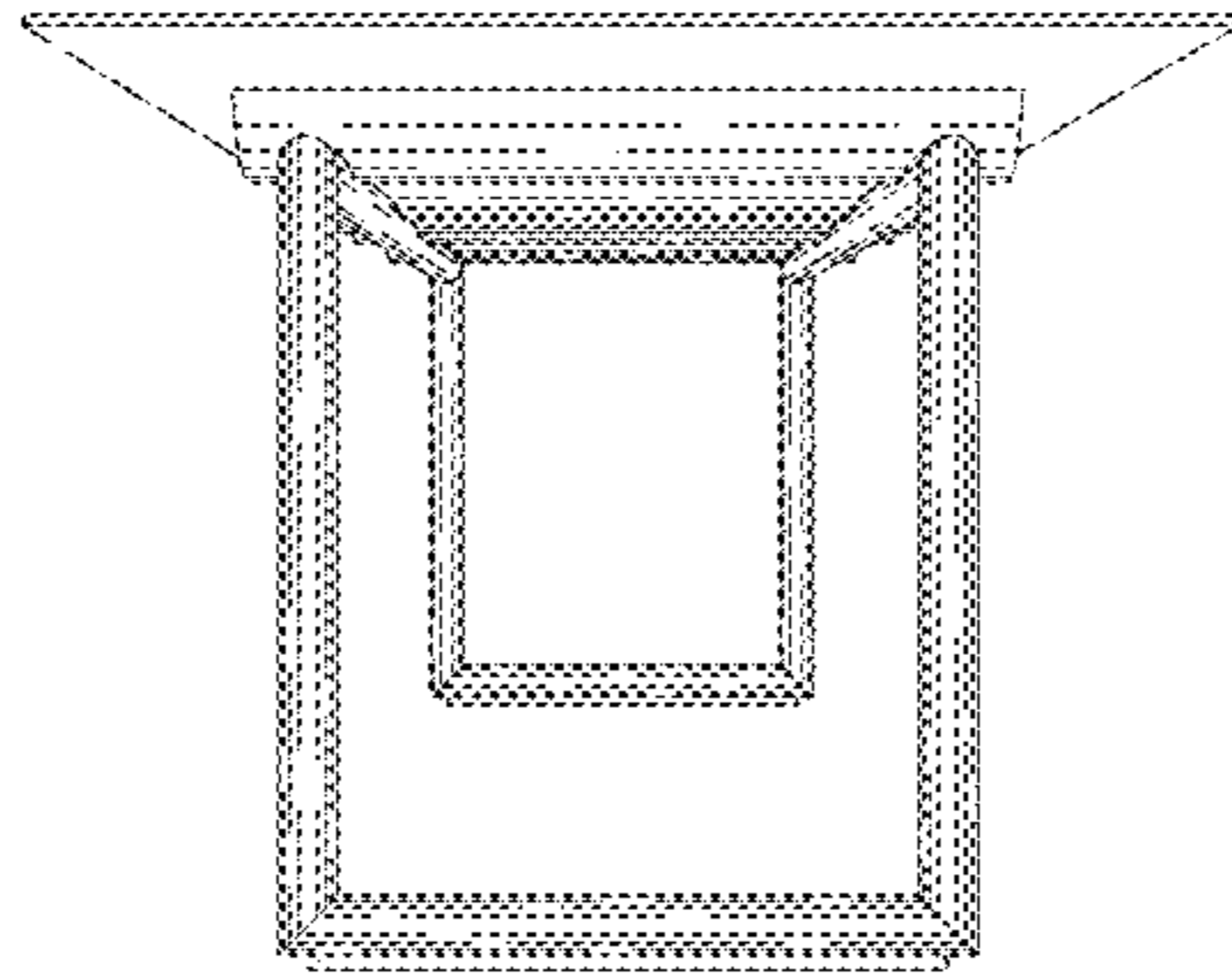


FIG. 3

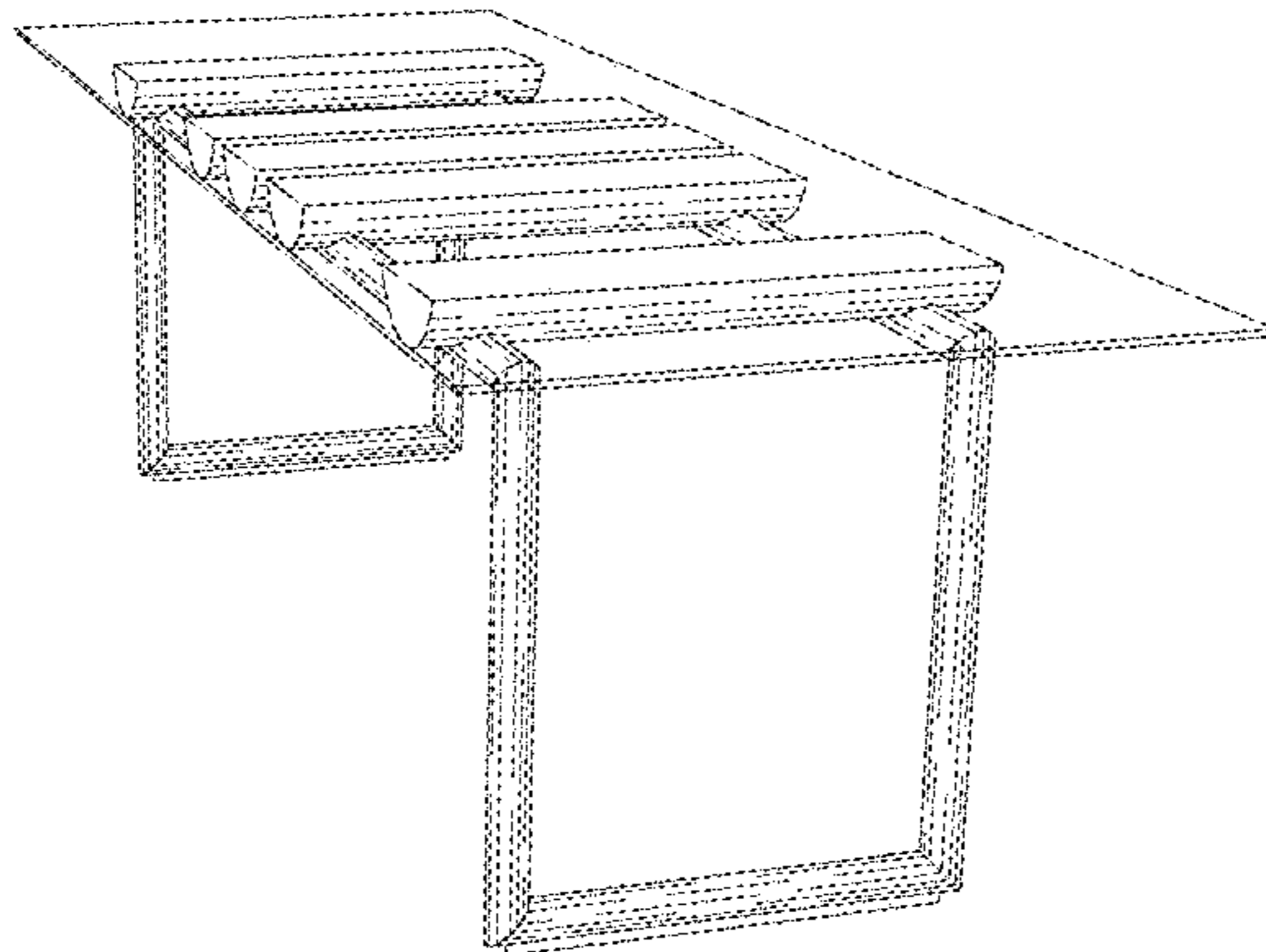


FIG. 4