



US00D785382S

(12) **United States Design Patent**  
**Hausner**

(10) **Patent No.:** **US D785,382 S**

(45) **Date of Patent:** **\*\* May 2, 2017**

(54) **DEVICE HOLDER**

(71) Applicant: **Jackson Aran Hausner**, Atlanta, GA  
(US)

(72) Inventor: **Jackson Aran Hausner**, Atlanta, GA  
(US)

(\*\*) Term: **15 Years**

(21) Appl. No.: **29/553,310**

(22) Filed: **Jan. 29, 2016**

(51) **LOC (10) Cl.** ..... **06-04**

(52) **U.S. Cl.**  
USPC ..... **D6/681.2**

(58) **Field of Classification Search**

USPC ..... D6/310, 311, 312, 672, 673, 681, 681.1,  
D6/681.2, 682, 682.5, 512, 641; D25/67,  
D25/68

CPC ..... A47B 23/00; A47B 23/001; A47B 23/007;  
A47B 23/02; A47B 21/06; A47B 23/04;  
A47B 81/062; A47B 81/06; A47B 97/08;  
F16M 11/04; F16M 11/12; B65D 5/5206;  
H05K 7/18

See application file for complete search history.

(56) **References Cited**

U.S. PATENT DOCUMENTS

2,579,740	A *	12/1951	Hiemenz	.....	A47B 23/00 248/455
2,828,577	A *	4/1958	Anderson	.....	A47B 23/007 108/49
4,022,418	A *	5/1977	Kellner	.....	A47C 19/22 248/460
D298,041	S *	10/1988	Chang	.....	D17/9
5,085,427	A *	2/1992	Finn	.....	A63B 24/00 248/441.1
D334,811	S *	4/1993	Parks	.....	D25/67
D597,764	S *	8/2009	Topcuoglu	.....	D20/10

D634,858	S *	3/2011	Landau	.....	D25/67
D688,388	S *	8/2013	Ardoin	.....	D25/67
D723,311	S *	3/2015	Jiang	.....	D14/253
D729,554	S *	5/2015	Denby	.....	D6/681
2007/0012827	A1 *	1/2007	Fu	.....	A47B 23/007 248/163.1
2007/0120034	A1 *	5/2007	Sparling	.....	A47B 23/00 248/458
2009/0060473	A1 *	3/2009	Kohte	.....	F16M 11/041 386/200
2012/0175474	A1 *	7/2012	Barnard	.....	F16M 11/041 248/122.1
2013/0012791	A1 *	1/2013	Coles	.....	A45F 5/00 600/301
2013/0098852	A1 *	4/2013	Lausell	.....	A47B 23/00 211/26
2013/0213826	A1 *	8/2013	Partridge	.....	F16M 11/10 206/45.24

(Continued)

*Primary Examiner* — John Windmuller

*Assistant Examiner* — Steven Czyz

(74) *Attorney, Agent, or Firm* — Michele A. Kliem

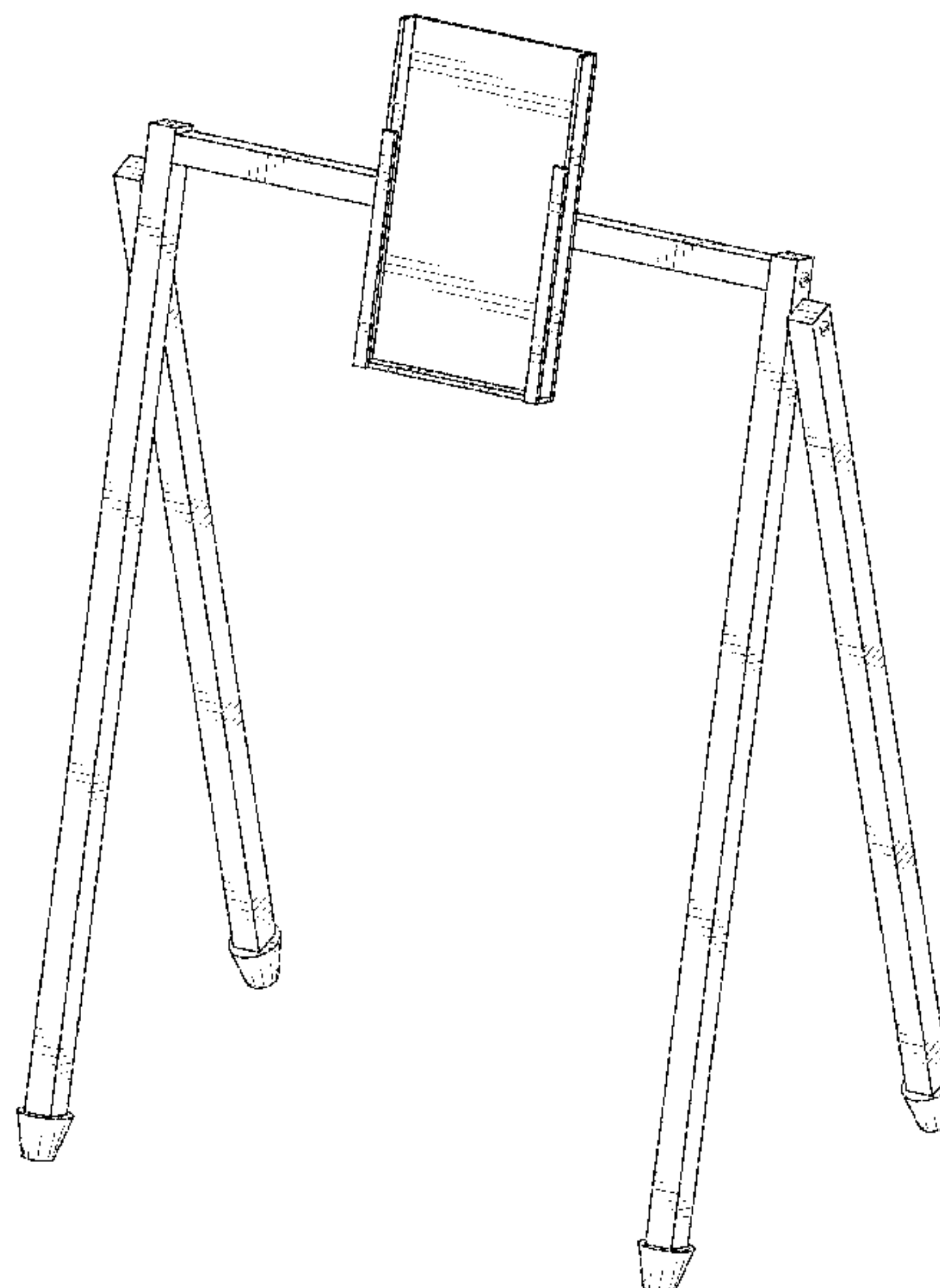
(57) **CLAIM**

The ornamental design for a device holder, as shown and described.

**DESCRIPTION**

FIG. 1 is a perspective view of a device holder showing my new design;  
FIG. 2 is a front elevation view of the device holder of FIG. 1;  
FIG. 3 is a rear view of the device holder of FIG. 1;  
FIG. 4 is a left side elevation view of the device holder of FIG. 1;  
FIG. 5 is a right elevation view of the device holder of FIG. 1;  
FIG. 6 is a top plan view of the device holder of FIG. 1; and,  
FIG. 7 is a bottom plan view of the device holder of FIG. 1.

**1 Claim, 6 Drawing Sheets**



(56)

**References Cited**

U.S. PATENT DOCUMENTS

2013/0342087	A1 *	12/2013	Guran .....	H05K 5/0017 312/7.2
2014/0091192	A1 *	4/2014	Mersky .....	F16M 11/041 248/447
2014/0117174	A1 *	5/2014	Tan .....	F16M 11/048 248/176.1
2015/0358044	A1 *	12/2015	Barstead .....	H04B 1/3888 455/575.1
2016/0108942	A1 *	4/2016	Yu .....	F16M 13/00 248/316.4

\* cited by examiner

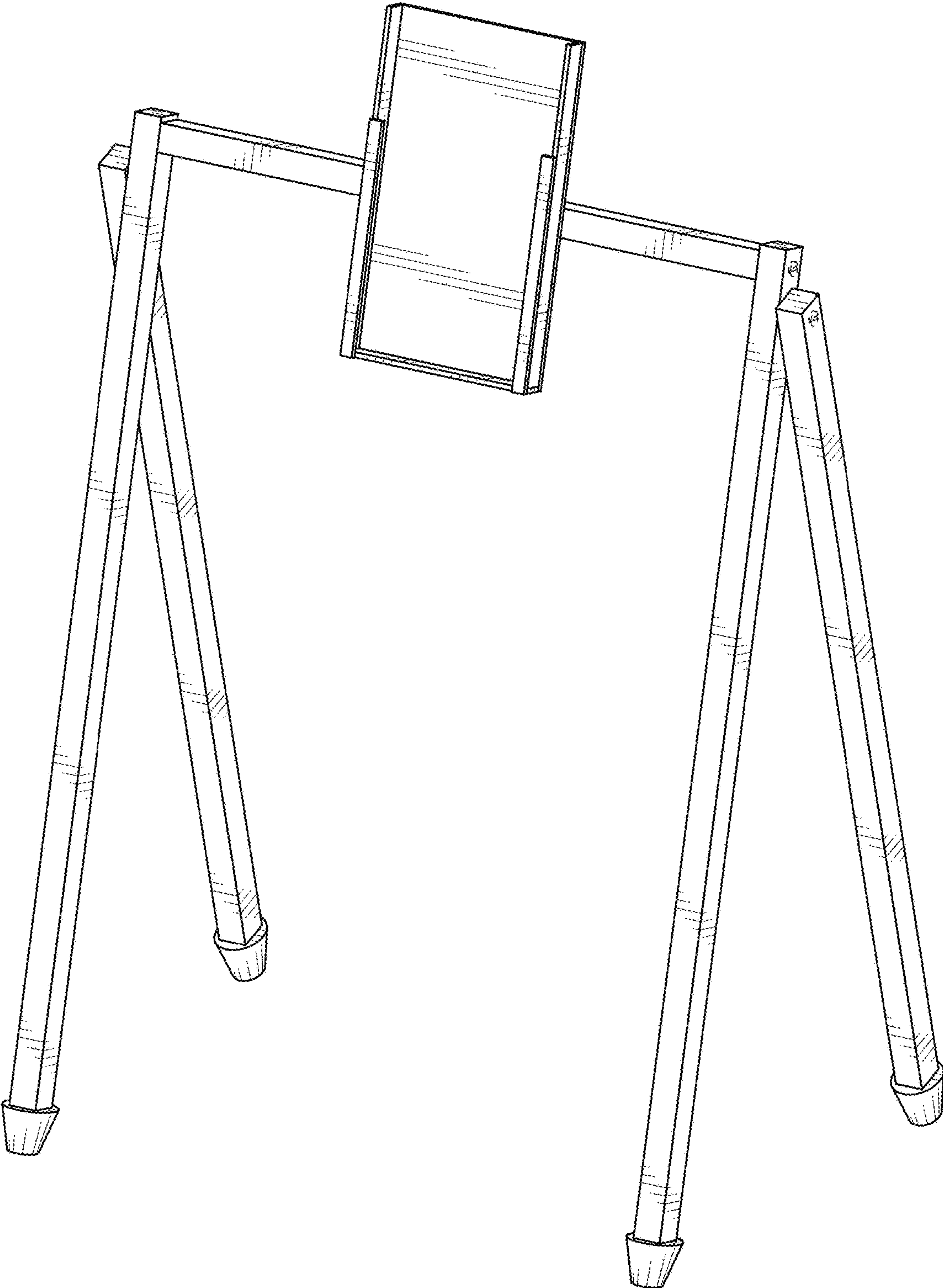


FIG. 1

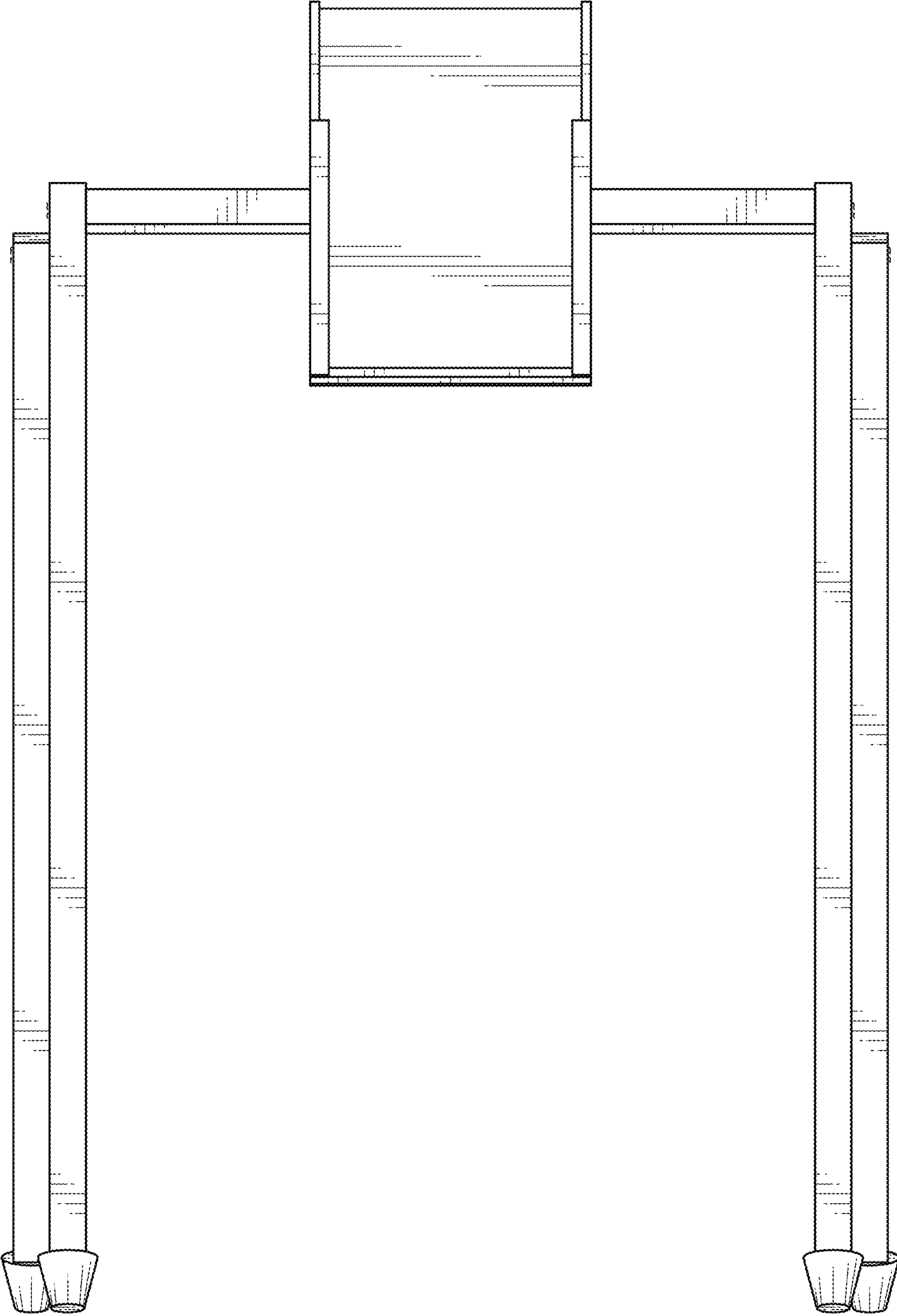


FIG. 2

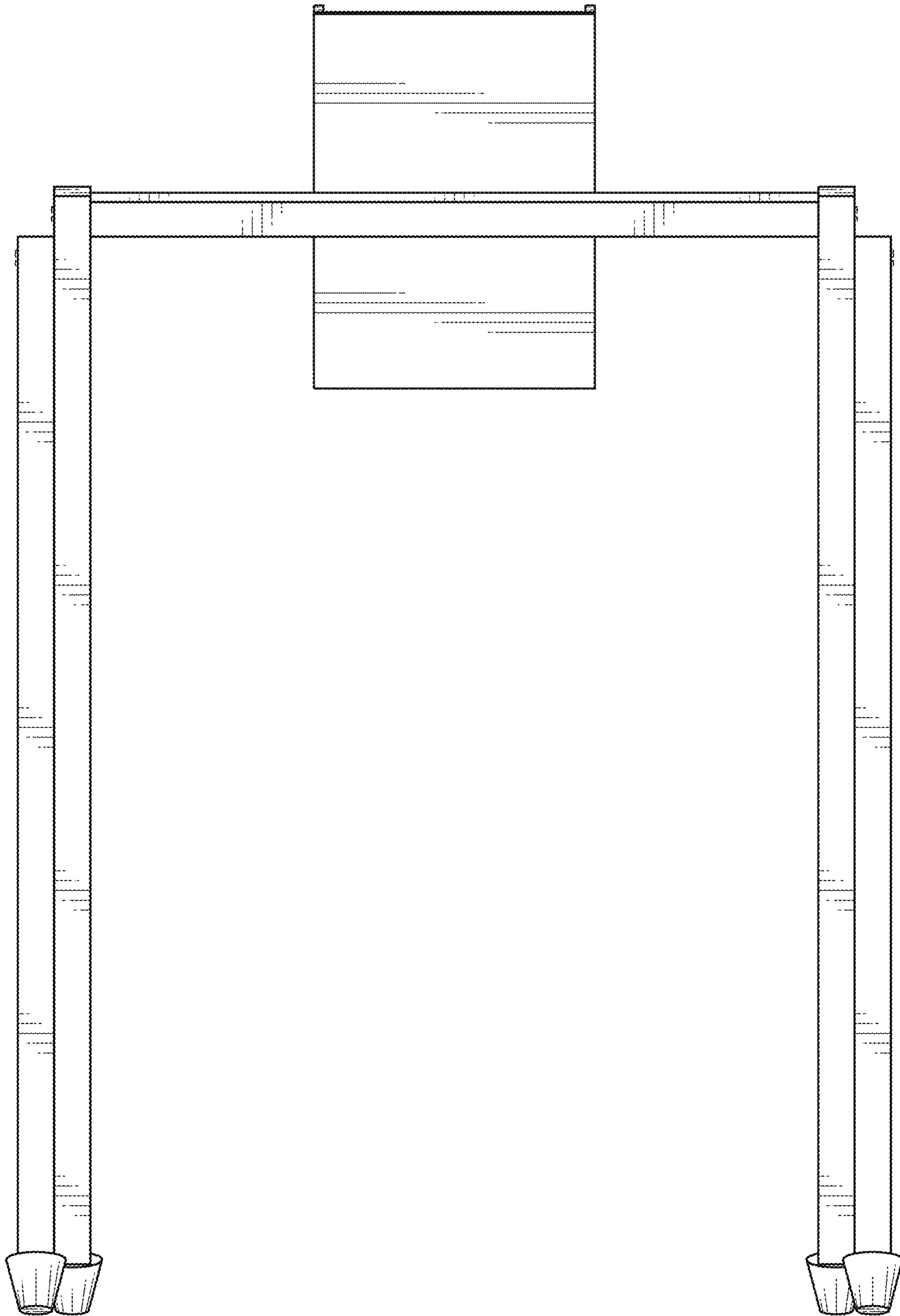


FIG. 3

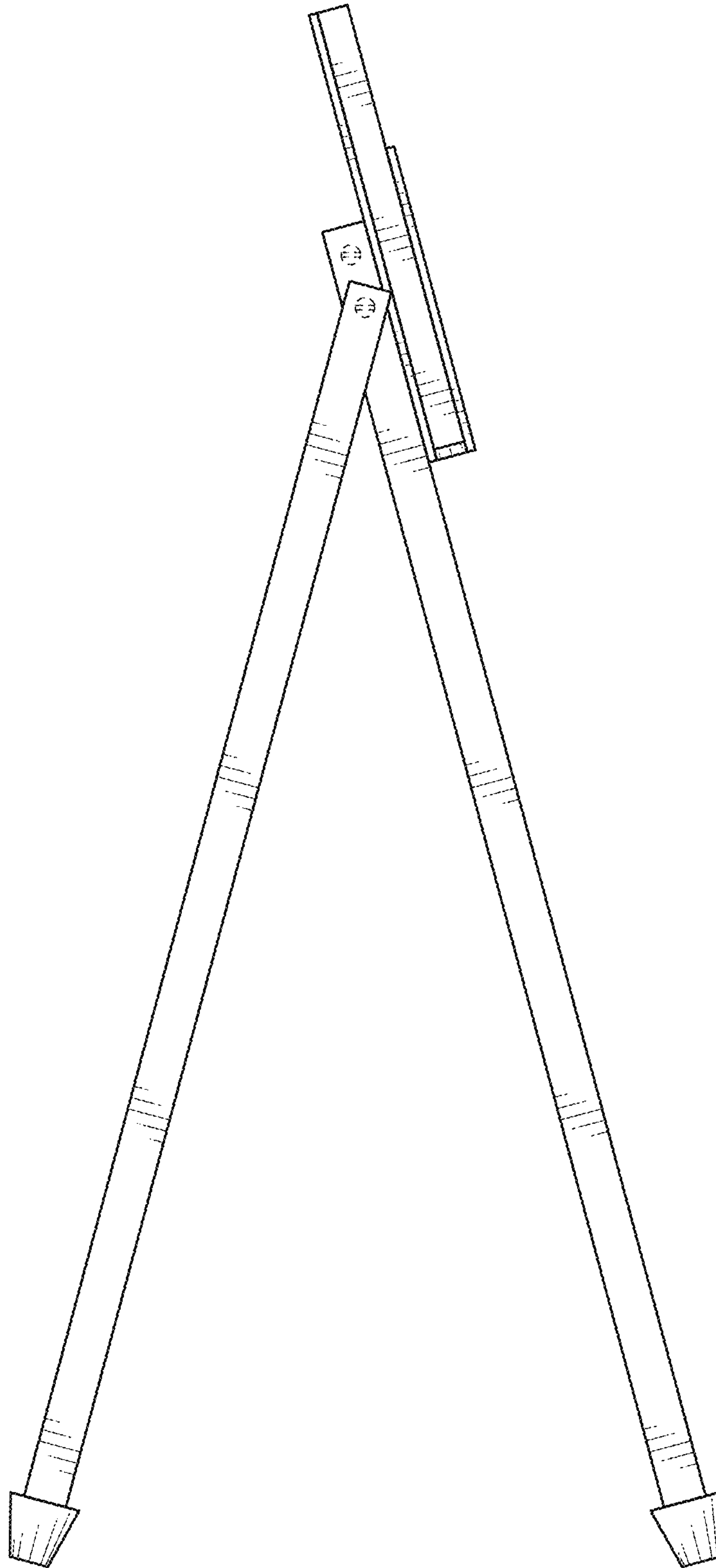


FIG. 4



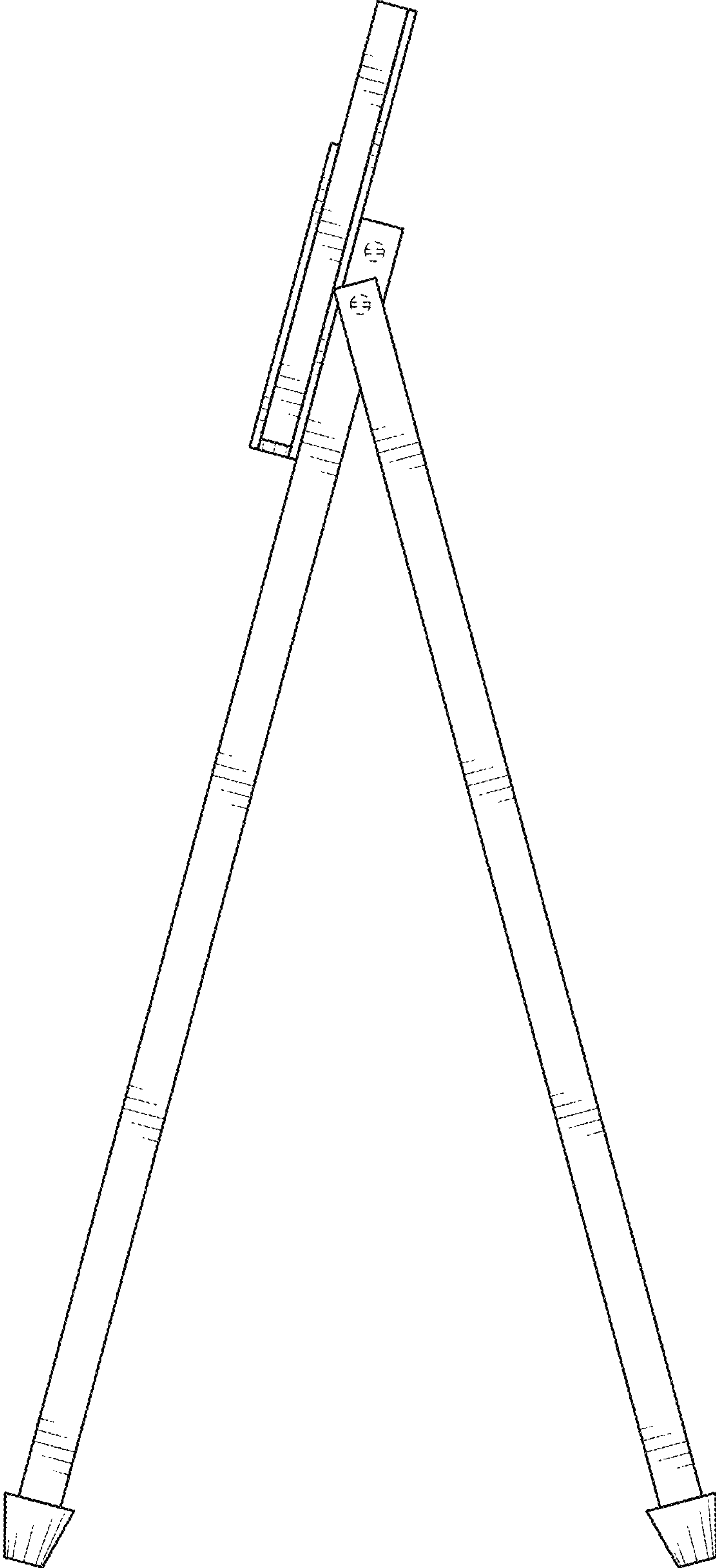


FIG. 5

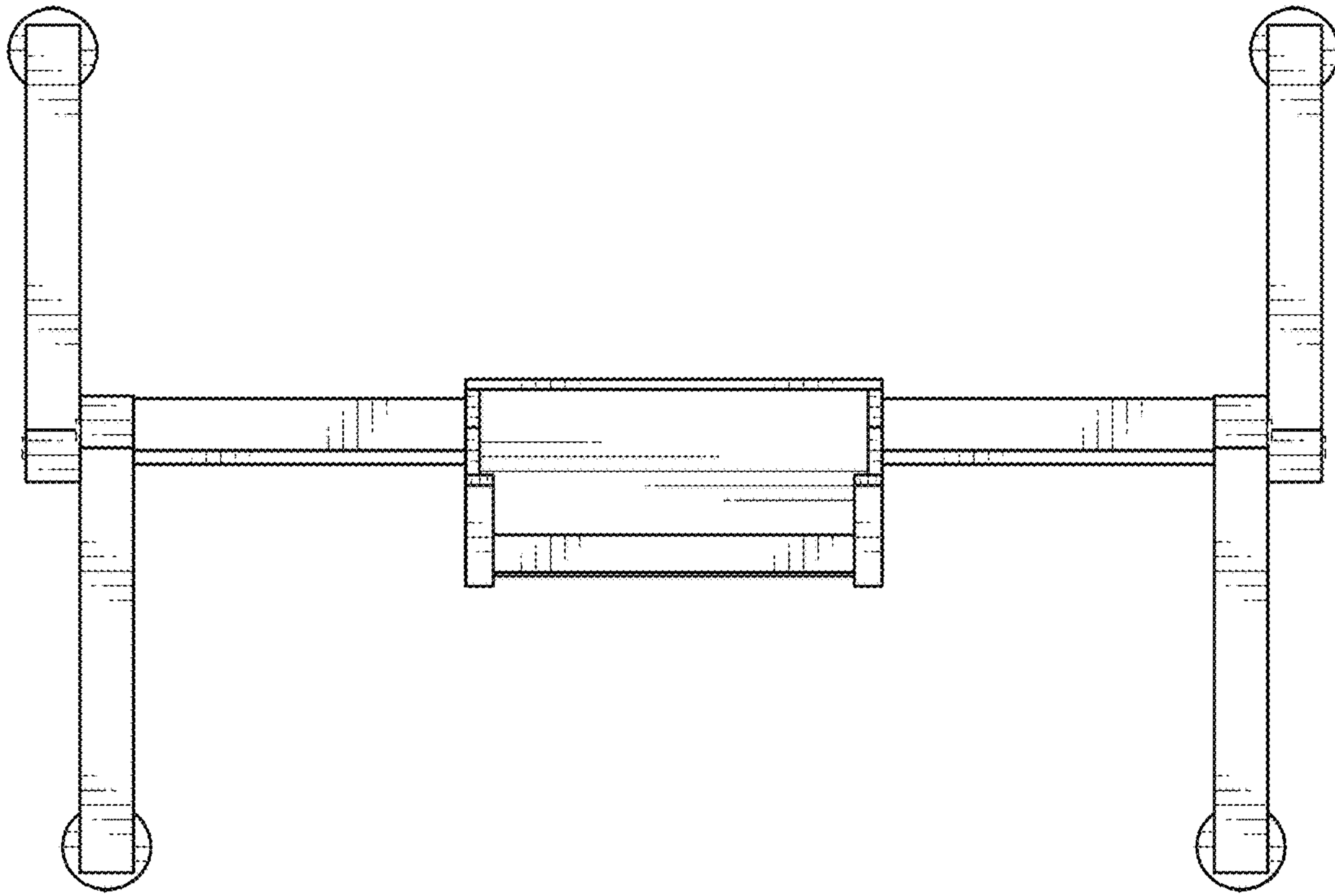


FIG. 6

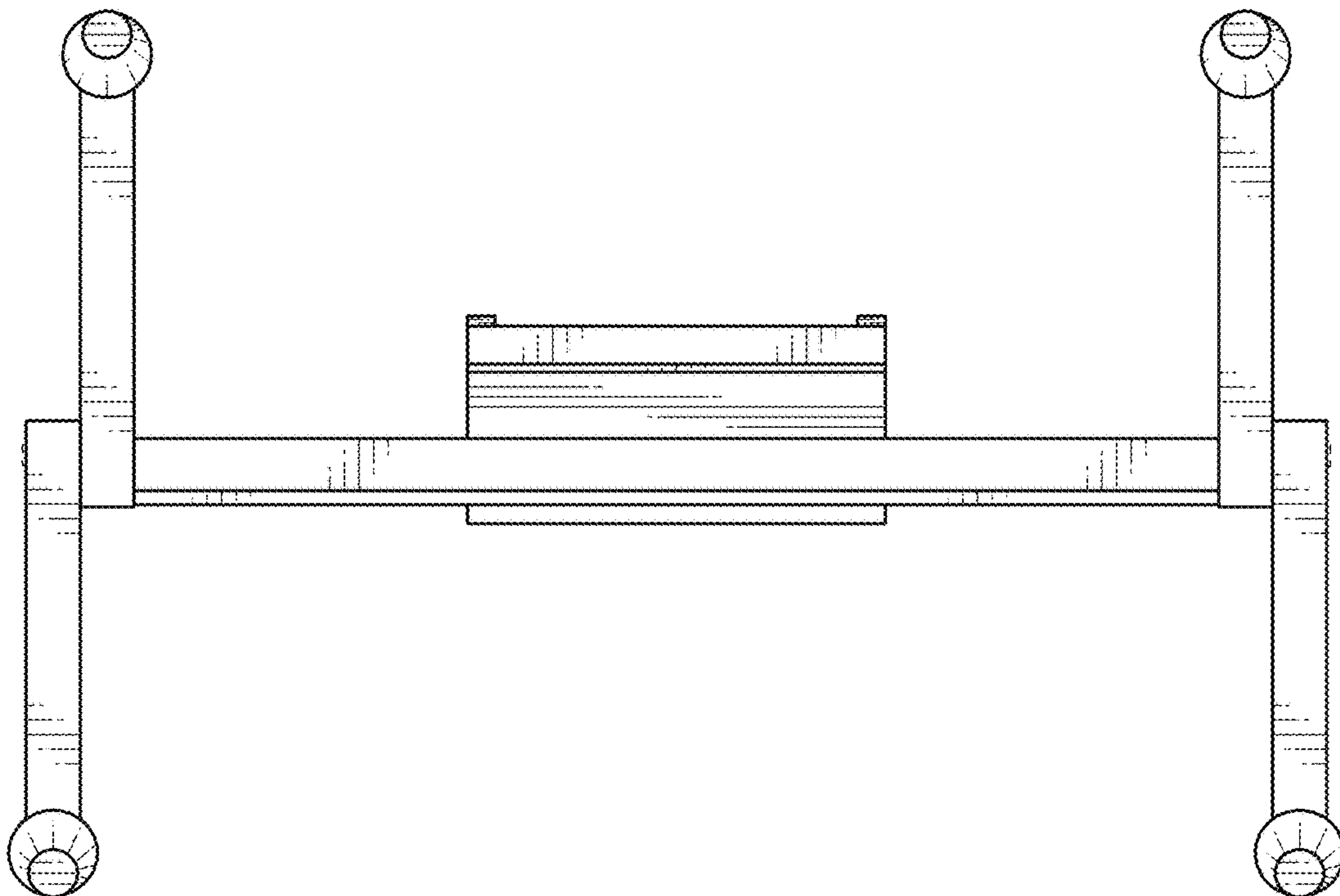


FIG. 7