



US00D785381S

(12) **United States Design Patent** (10) **Patent No.:** **US D785,381 S**  
**Johnson** (45) **Date of Patent:** **\*\* May 2, 2017**

(54) **DISPLAY RACK**

(71) Applicant: **Forever 21, Inc.**, Los Angeles, CA (US)

(72) Inventor: **Bradley Packer Johnson**, Los Angeles, CA (US)

(73) Assignee: **Forever 21, Inc.**, Los Angeles, CA (US)

(\*\*) Term: **15 Years**

(21) Appl. No.: **29/559,279**

(22) Filed: **Mar. 25, 2016**

(51) **LOC (10) Cl.** ..... **06-04**

(52) **U.S. Cl.**  
USPC ..... **D6/681**

(58) **Field of Classification Search**  
USPC ..... D6/672, 673, 681, 681.1, 682.5, 708.16, D6/567  
CPC ..... A47F 3/06; A47F 3/08; A47F 3/14; A47F 5/0018; A47F 5/0025; A47F 5/0031; A47F 5/005; A47F 5/0056; A47F 5/0081; A47F 5/01; A47F 5/08; A47F 5/0807; A47F 5/0838; A47G 25/0664  
See application file for complete search history.

D353,926 S \* 12/1994 Aguilar ..... D34/21  
5,718,344 A \* 2/1998 Joldeson ..... A47F 5/13  
211/182  
D404,208 S \* 1/1999 Beno ..... D6/300  
6,029,833 A \* 2/2000 Yeh ..... A47F 5/0838  
108/108  
D466,331 S \* 12/2002 Chang ..... D6/681.1  
D470,685 S \* 2/2003 Chang ..... D6/681.1  
D474,350 S \* 5/2003 Sardis ..... D6/681.1  
6,644,484 B1 11/2003 Sardis  
D487,124 S \* 2/2004 Toniolo ..... D21/691  
D491,742 S \* 6/2004 Harwanko ..... D6/681.1  
D494,778 S \* 8/2004 Vosbikian ..... D6/683.1  
D495,524 S \* 9/2004 Harwanko ..... D6/681.1  
6,935,523 B2 8/2005 Ahn  
D537,266 S \* 2/2007 Ward ..... D6/681.1  
D543,382 S \* 5/2007 Glassenberg ..... D6/678.4  
D602,713 S \* 10/2009 Stukenberg ..... D6/681.1  
D729,548 S \* 5/2015 Denby ..... D6/672  
D736,548 S \* 8/2015 Hornsby ..... D6/681.1  
9,119,487 B2 9/2015 Angvall et al.  
D753,940 S \* 4/2016 Ruiz ..... D6/681  
2005/0127018 A1 \* 6/2005 Sung ..... A47F 5/137  
211/206

\* cited by examiner

*Primary Examiner* — John Windmuller  
*Assistant Examiner* — Steven Czyz  
(74) *Attorney, Agent, or Firm* — Stetina Brunda Garred and Brucker

(57) **CLAIM**

The ornamental design for a display rack, as shown and described.

**DESCRIPTION**

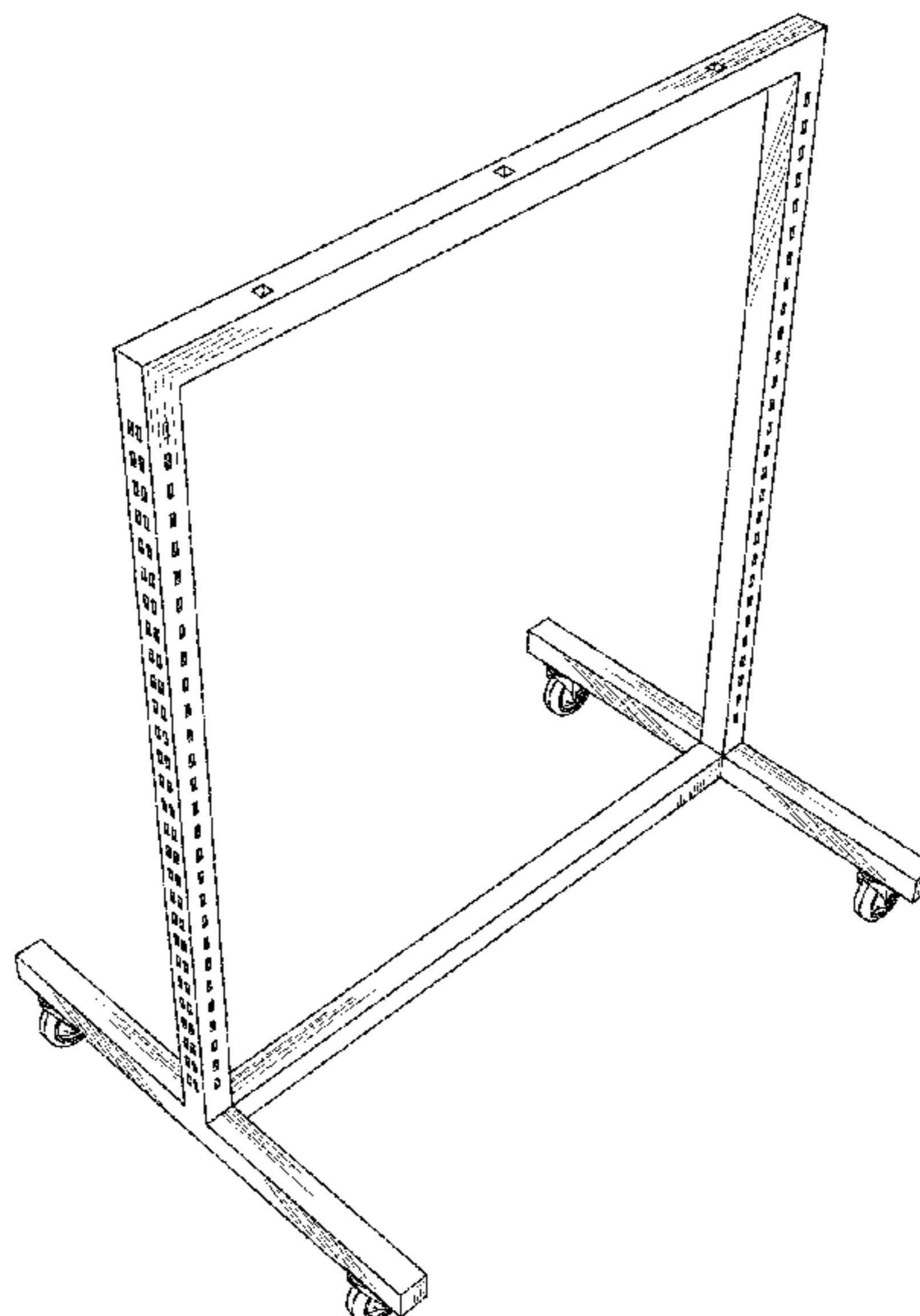
FIG. 1 is a side perspective view of a display rack;  
FIG. 2 is a side view of the invention;  
FIG. 3 is a front view of the invention;  
FIG. 4 is top view of the invention; and,  
FIG. 5 is a bottom view of the invention.

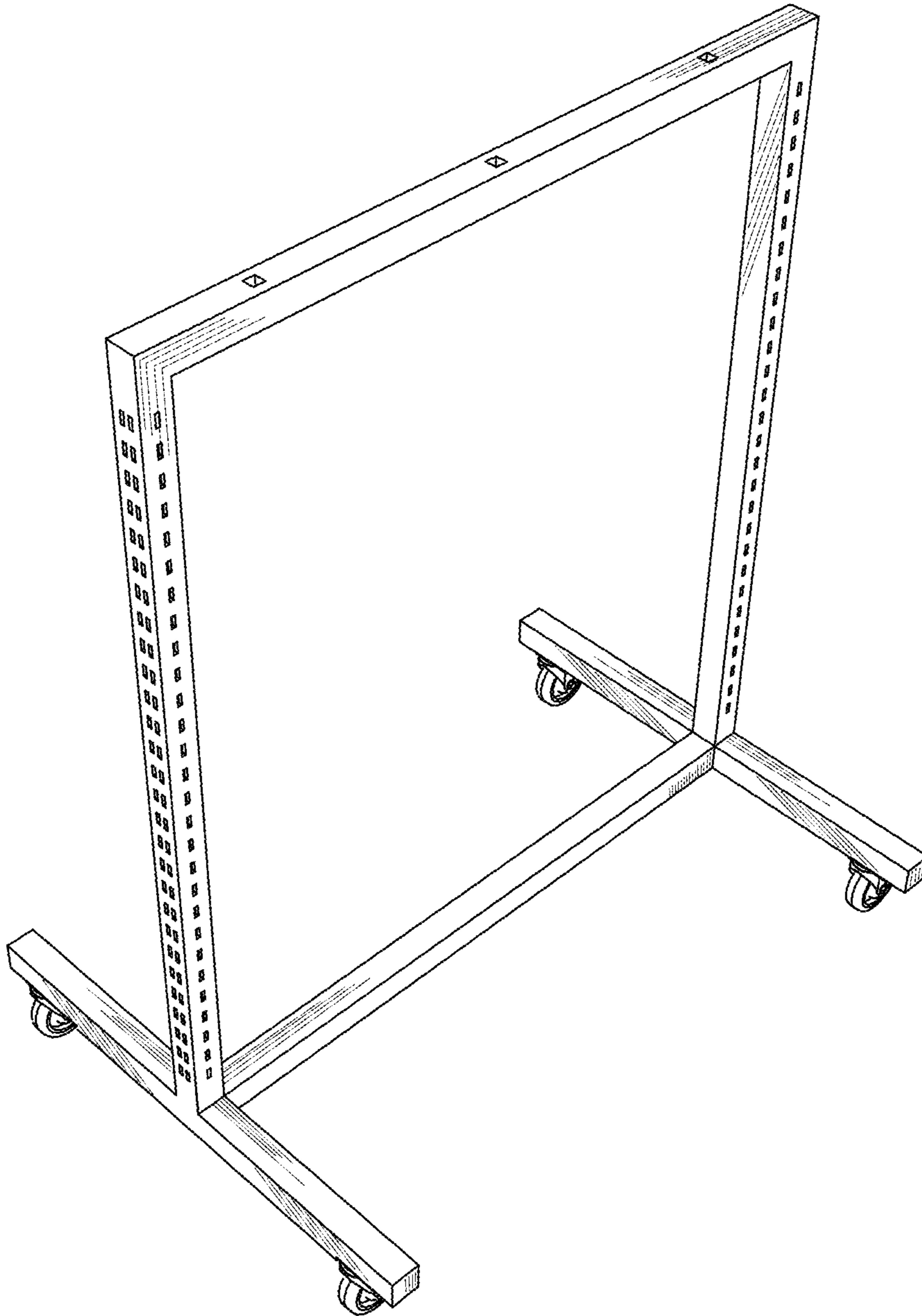
**1 Claim, 5 Drawing Sheets**

(56) **References Cited**

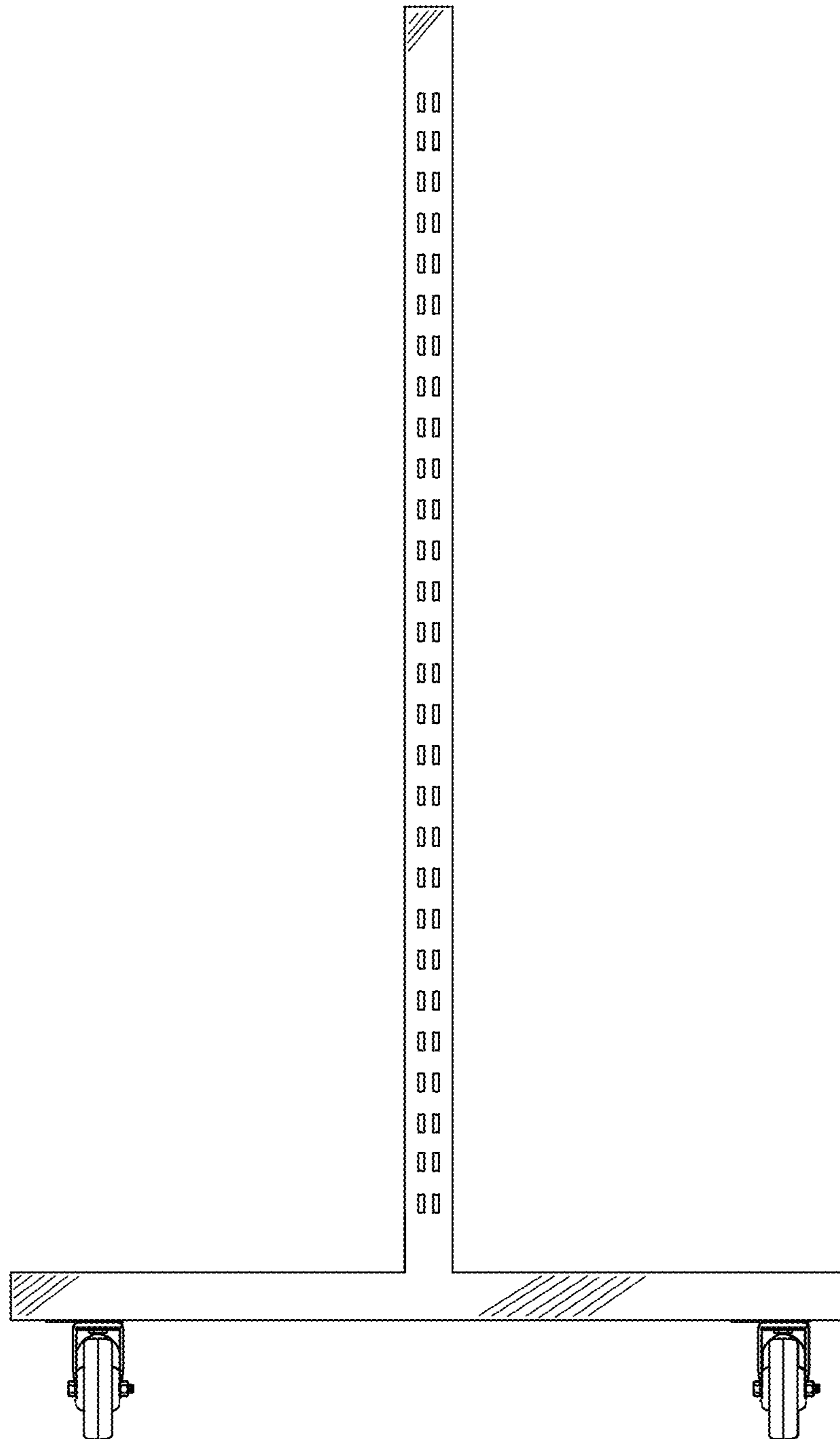
U.S. PATENT DOCUMENTS

1,661,667 A \* 3/1928 Mallach ..... A47F 7/24  
135/144  
D174,407 S \* 4/1955 Anderle et al. .... D6/672  
2,798,618 A \* 7/1957 Singer ..... A47G 25/0664  
211/204  
3,121,497 A 2/1964 Brochstein  
D272,954 S \* 3/1984 Sparks ..... D34/21  
D288,755 S \* 3/1987 Schoenig ..... D6/681.1  
D308,451 S \* 6/1990 Hughes ..... D6/681.1  
D352,190 S \* 11/1994 Tucker ..... D6/681.1

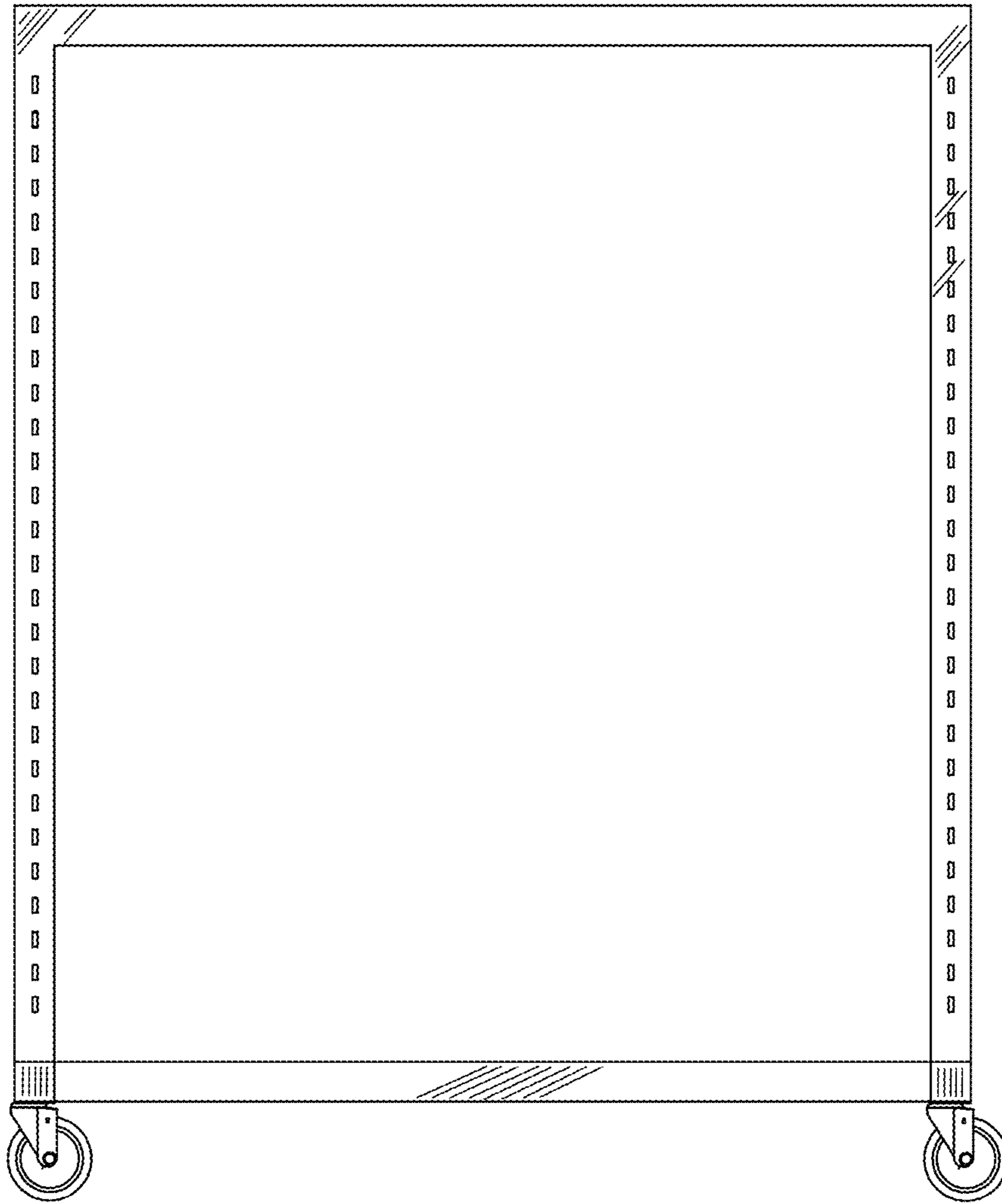




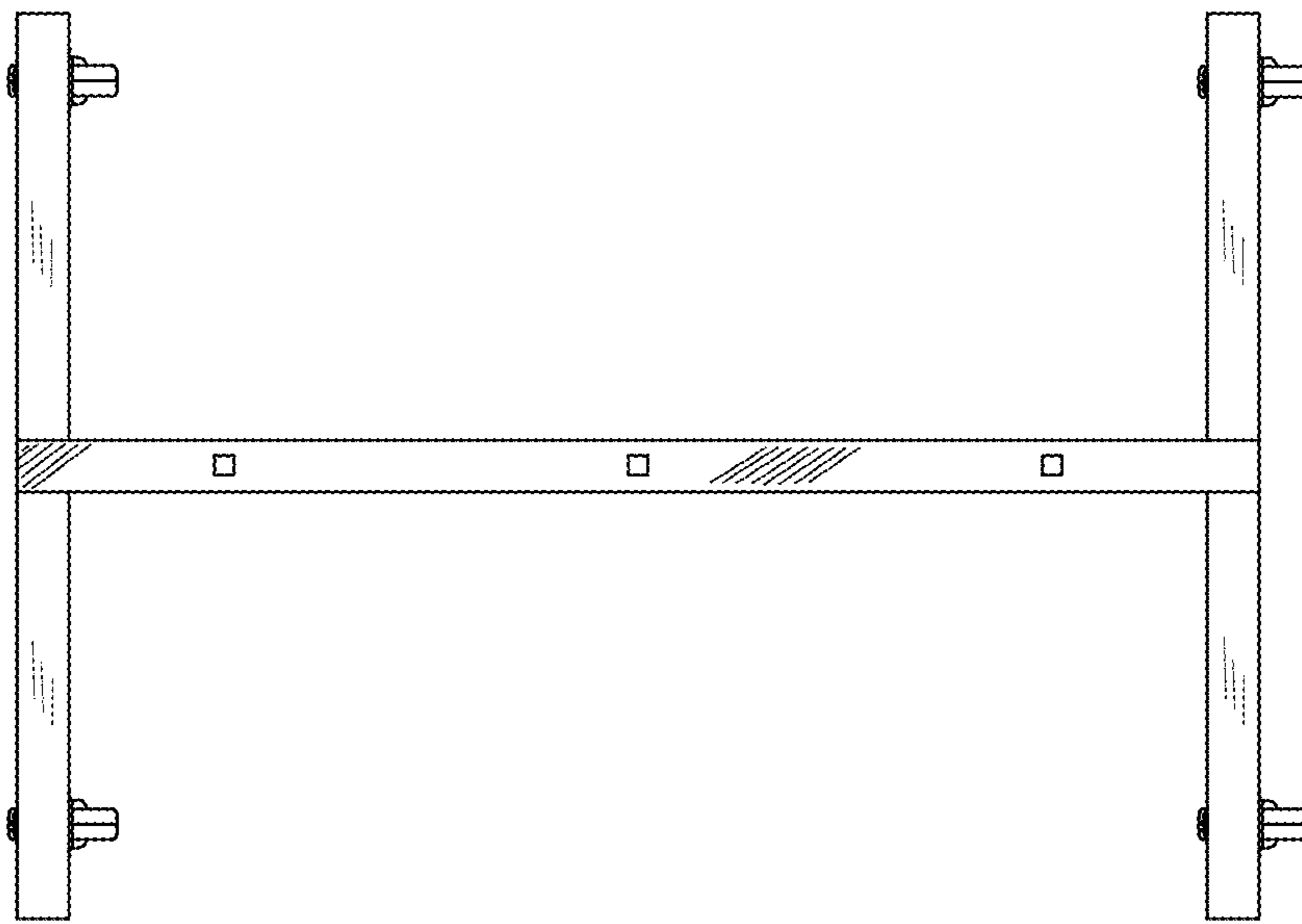
*Fig. 1*



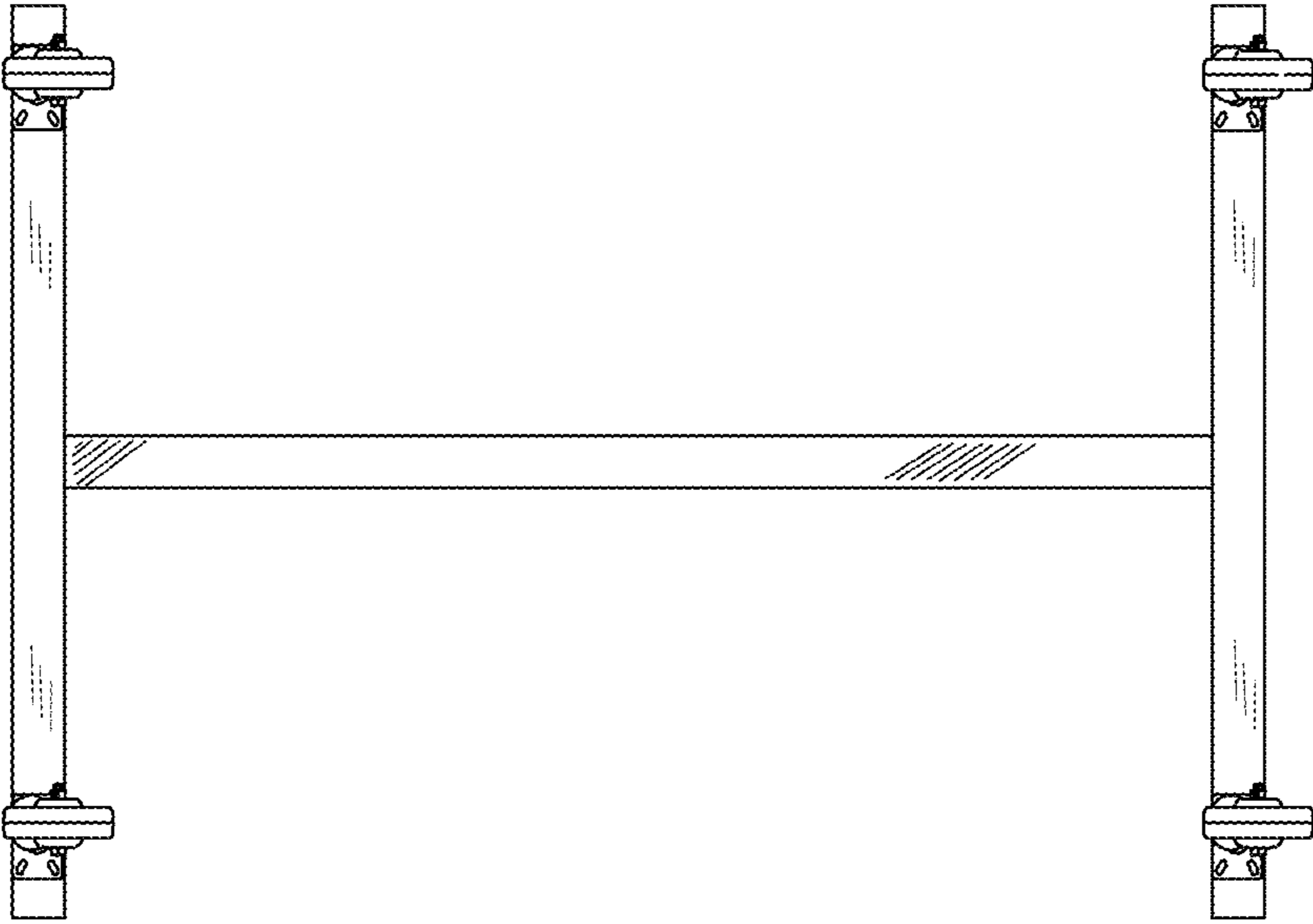
*Fig. 2*



*Fig. 3*



*Fig. 4*



*Fig. 5*