



US00D785380S

(12) **United States Design Patent** (10) **Patent No.:** **US D785,380 S**
King (45) **Date of Patent:** **** May 2, 2017**

(54) **GOGGLE STAND WITH NOSE GUARD**
(71) Applicant: **Steven G. King**, Richmond, CA (US)
(72) Inventor: **Steven G. King**, Richmond, CA (US)
(**) Term: **15 Years**
(21) Appl. No.: **29/549,993**
(22) Filed: **Dec. 29, 2015**
(51) **LOC (10) Cl.** **06-04**
(52) **U.S. Cl.**
USPC **D6/681**
(58) **Field of Classification Search**
USPC D6/672, 673, 681, 681.1, 682, 552, 678,
D6/675.5; D8/356; 211/4, 7, 85.1, 85.7,
211/85.26, 119, 119.005, 123
CPC A47F 5/0018; A47F 5/0031; A47F
2005/0075; A47F 5/01; A47F 5/0807;
A47F 7/00; A47F 7/02; A47F 7/021;
A47F 7/03; A47F 7/0243
See application file for complete search history.

5,178,283 A * 1/1993 Ennis A47F 7/021
211/4
D341,767 S * 11/1993 Brueske D8/356
D354,863 S * 1/1995 Pope D6/681
D358,957 S 6/1995 Propp
D373,584 S * 9/1996 Anand D14/126
D392,123 S 3/1998 Lynch
D406,958 S * 3/1999 Baldwin D6/682
6,059,215 A * 5/2000 Finnis B65H 75/366
242/400.1
D442,444 S * 5/2001 Bowling D8/1
6,364,124 B1 * 4/2002 Chen A47F 7/0243
211/4
D458,485 S * 6/2002 Tramontina D6/515
D458,770 S * 6/2002 Walter D6/681.1

(Continued)

Primary Examiner — John Windmuller
Assistant Examiner — Steven Czyz
(74) *Attorney, Agent, or Firm* — PatentBest; Andrew
McAleavey

(57) **CLAIM**

The ornamental design for a goggle stand with a nose guard, as shown and described.

DESCRIPTION

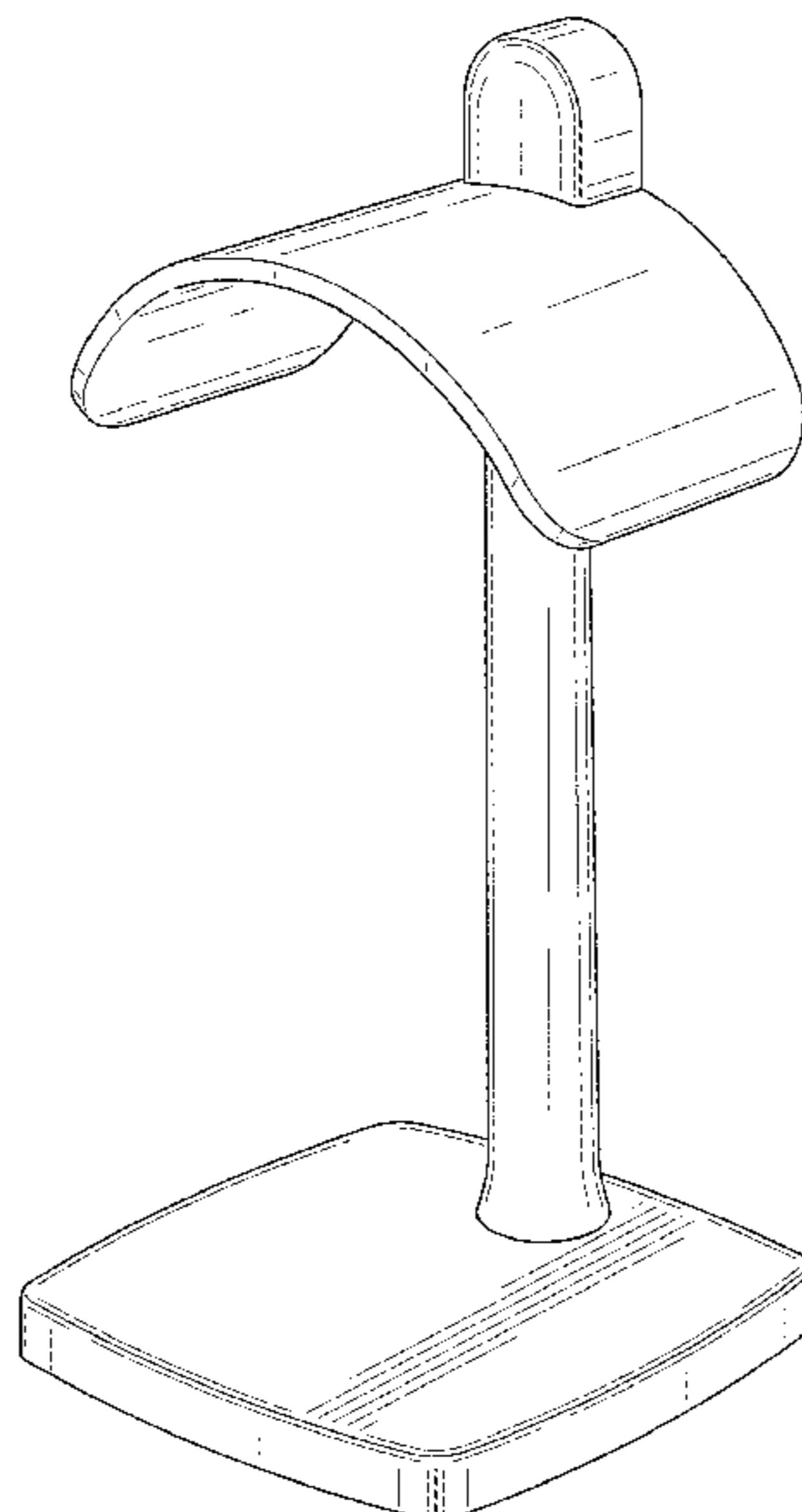
FIG. 1 is a perspective view of a goggle stand with a nose guard, illustrating my new design;
FIG. 2 is a front elevational view of the goggle stand;
FIG. 3 is a rear elevational view of the goggle stand;
FIG. 4 is a side elevational view of one side of the goggle stand;
FIG. 5 is a side elevational view of the other side of the goggle stand, the two sides being mirror images of one another;
FIG. 6 is a top plan view of the goggle stand; and,
FIG. 7 is a bottom plan view of the goggle stand.
The broken lines depict portions of the article that form no part of the claimed design.

(56) **References Cited**

U.S. PATENT DOCUMENTS

D141,722 S * 6/1945 Mankki et al. D6/681.1
2,434,140 A * 1/1948 Bernstein A62C 33/04
248/89
D154,207 S * 6/1949 Kraus et al. D20/41
D166,658 S * 5/1952 Cohen et al. 211/1
D170,497 S * 9/1953 Ehrman et al. D6/681.1
D183,511 S * 9/1958 Chesney et al. D6/681.1
D186,517 S * 11/1959 Walsh et al. D6/681.1
D219,562 S * 12/1970 Krainin et al. D6/681.1
D242,413 S 11/1976 Olsen
D267,445 S * 1/1983 Watson D6/681.1
D274,682 S 7/1984 Segel
D300,790 S 4/1989 Beckwith
4,830,203 A * 5/1989 Ennis A47F 5/0846
211/105.2

1 Claim, 7 Drawing Sheets



(56)

References Cited

U.S. PATENT DOCUMENTS

D462,603 S *	9/2002	Wright	B65H 75/366				
					D8/356			
D506,774 S	6/2005	Stevens						
D511,431 S	11/2005	Spielvogel et al.						
D539,066 S	3/2007	Coquillette						
D554,979 S *	11/2007	Hsu	D8/356				
D613,524 S	4/2010	Jeffers						
D613,987 S	4/2010	Heeter						
D628,830 S	12/2010	Mono						
D631,109 S	1/2011	Morin						
D655,530 S *	3/2012	Denby	D6/681.1				
D658,189 S	4/2012	Zhao et al.						
D664,788 S *	8/2012	Baylon	D6/681.1				
D672,782 S	12/2012	Gross						
8,328,028 B1 *	12/2012	Freilich	A47F 7/021				
					211/85.1			
D675,039 S	1/2013	Foisy						
D690,306 S	9/2013	Malisse et al.						
D690,308 S	9/2013	McCoy						
D690,969 S	10/2013	Wilson						
D691,839 S *	10/2013	Dallenbach	D6/681.1				
D706,940 S	6/2014	Julian et al.						
8,777,020 B2 *	7/2014	Winig	A47F 7/0243				
					211/7			
D712,691 S *	9/2014	Xiang	D6/678.1				
D714,775 S	10/2014	Yoo et al.						
D716,958 S	11/2014	Thomas et al.						
D723,011 S *	2/2015	Symons	D14/224				
D724,934 S *	3/2015	Lu	D8/356				
D725,407 S	3/2015	McCracken						
D730,914 S	6/2015	Park et al.						
D734,967 S *	7/2015	Lundy	D6/681				
D737,606 S *	9/2015	King	D6/682				
D746,620 S	1/2016	King						
D748,936 S *	2/2016	Kanrilak	D6/681				
D761,601 S *	7/2016	Simmons	D6/681				
D762,403 S *	8/2016	Williams	D6/681.1				
2009/0255886 A1 *	10/2009	Winig	A47F 7/0243				
					211/85.1			
2010/0307994 A1 *	12/2010	Pezzati	B62J 11/00				
					211/85.1			
2013/0326815 A1	12/2013	Smart-Thomas						
2014/0075676 A1	3/2014	Cho						
2014/0305441 A1	10/2014	Porter						

* cited by examiner

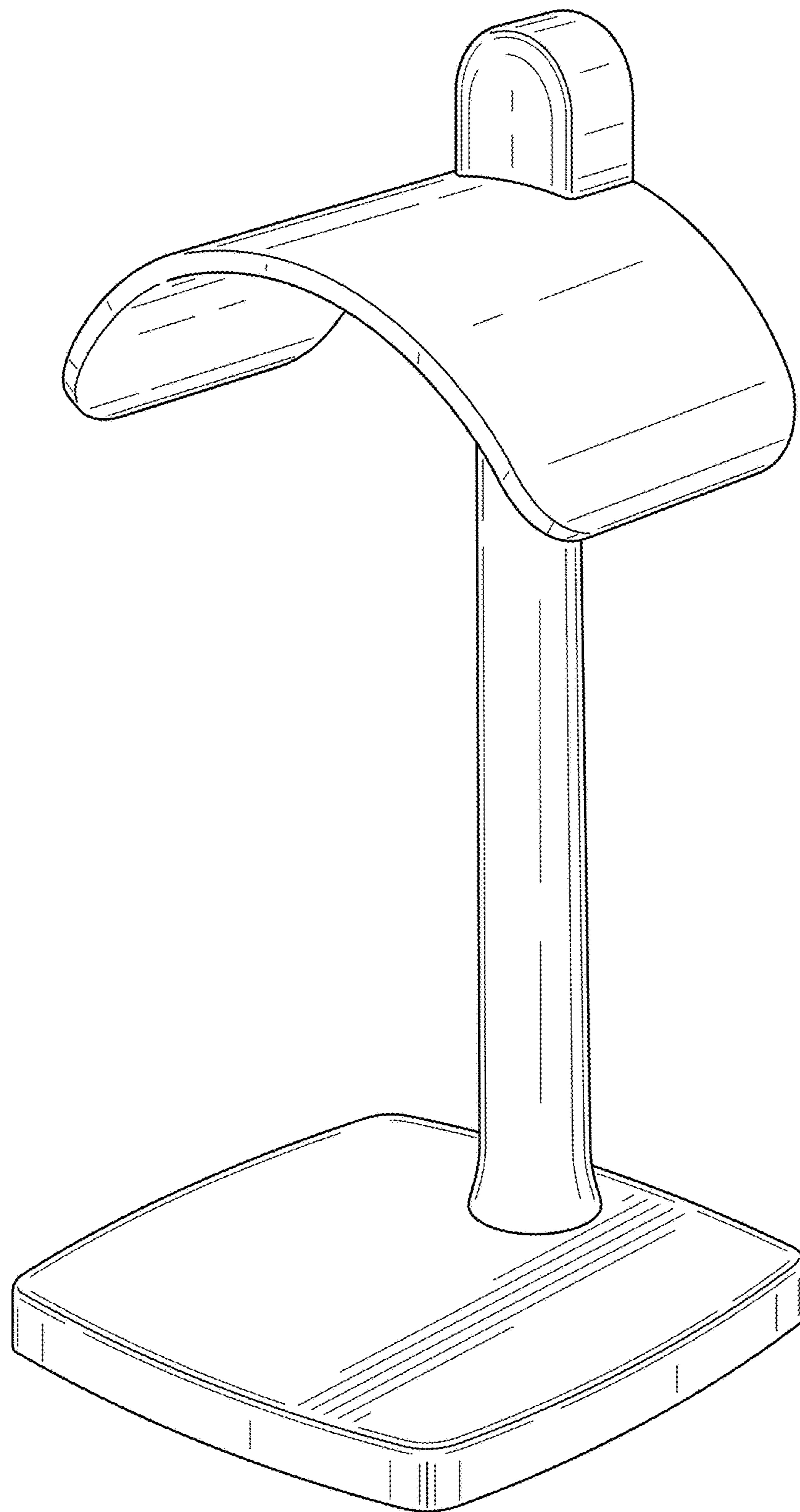


FIG. 1

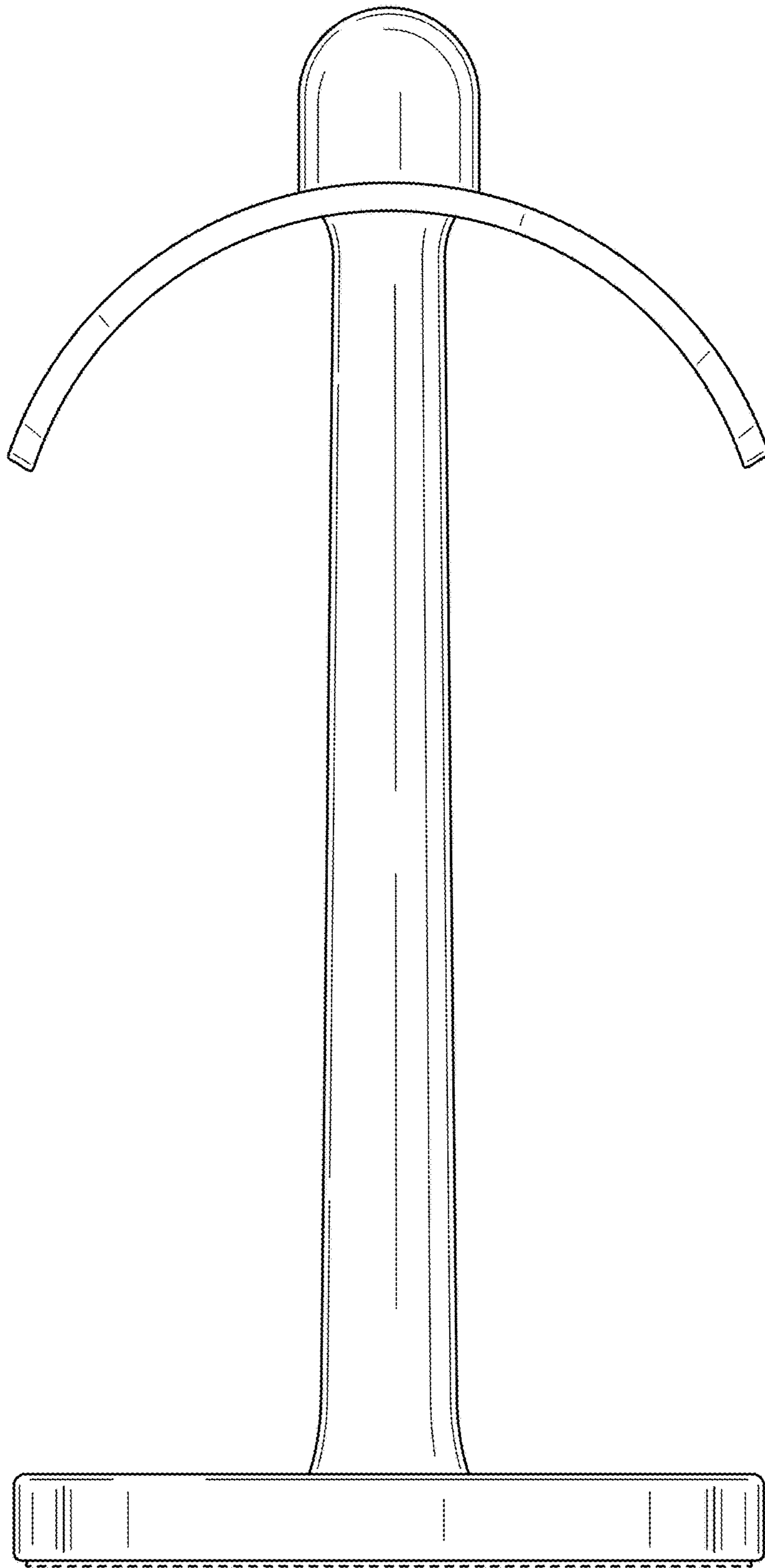


FIG. 2

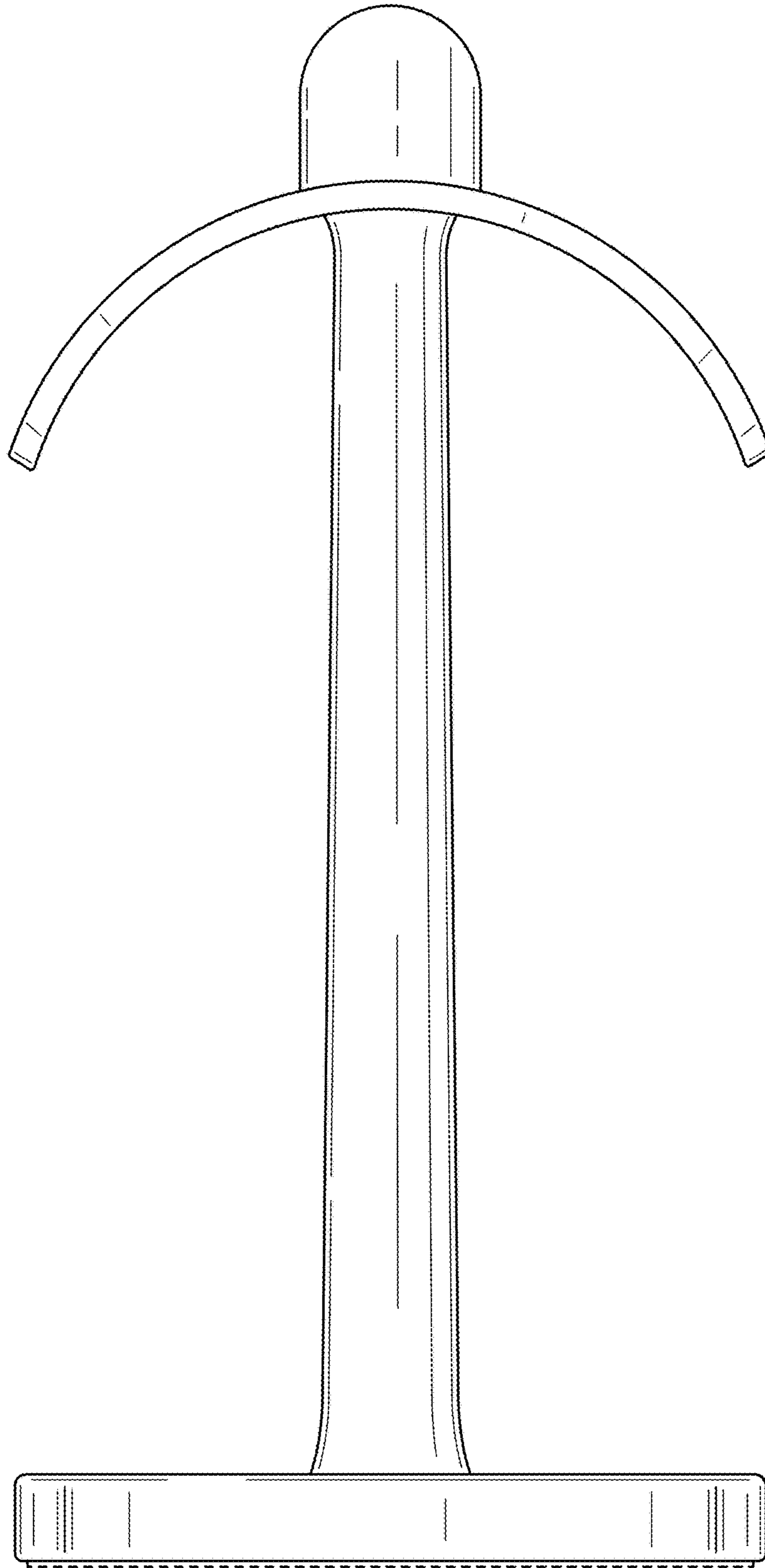


FIG. 3

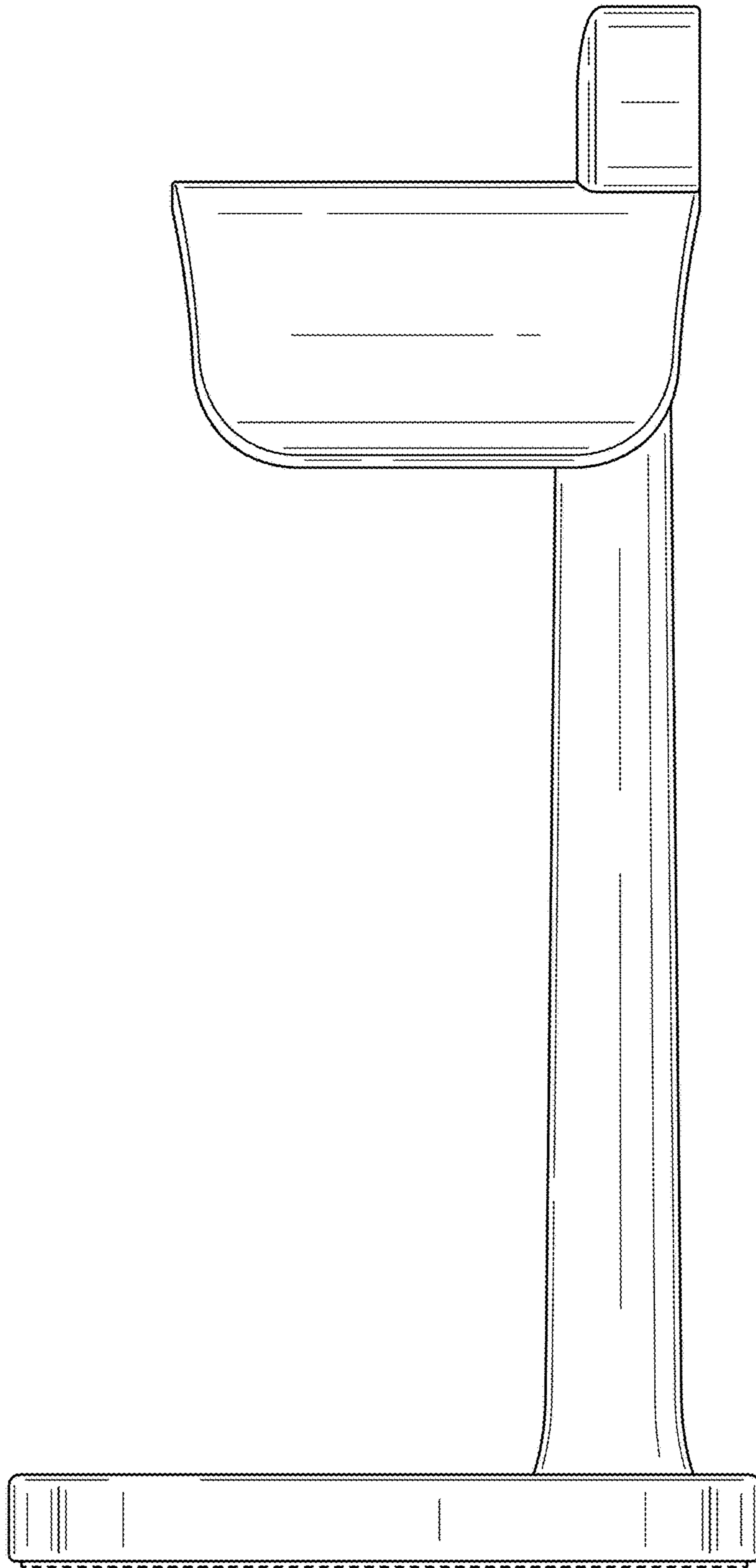


FIG. 4

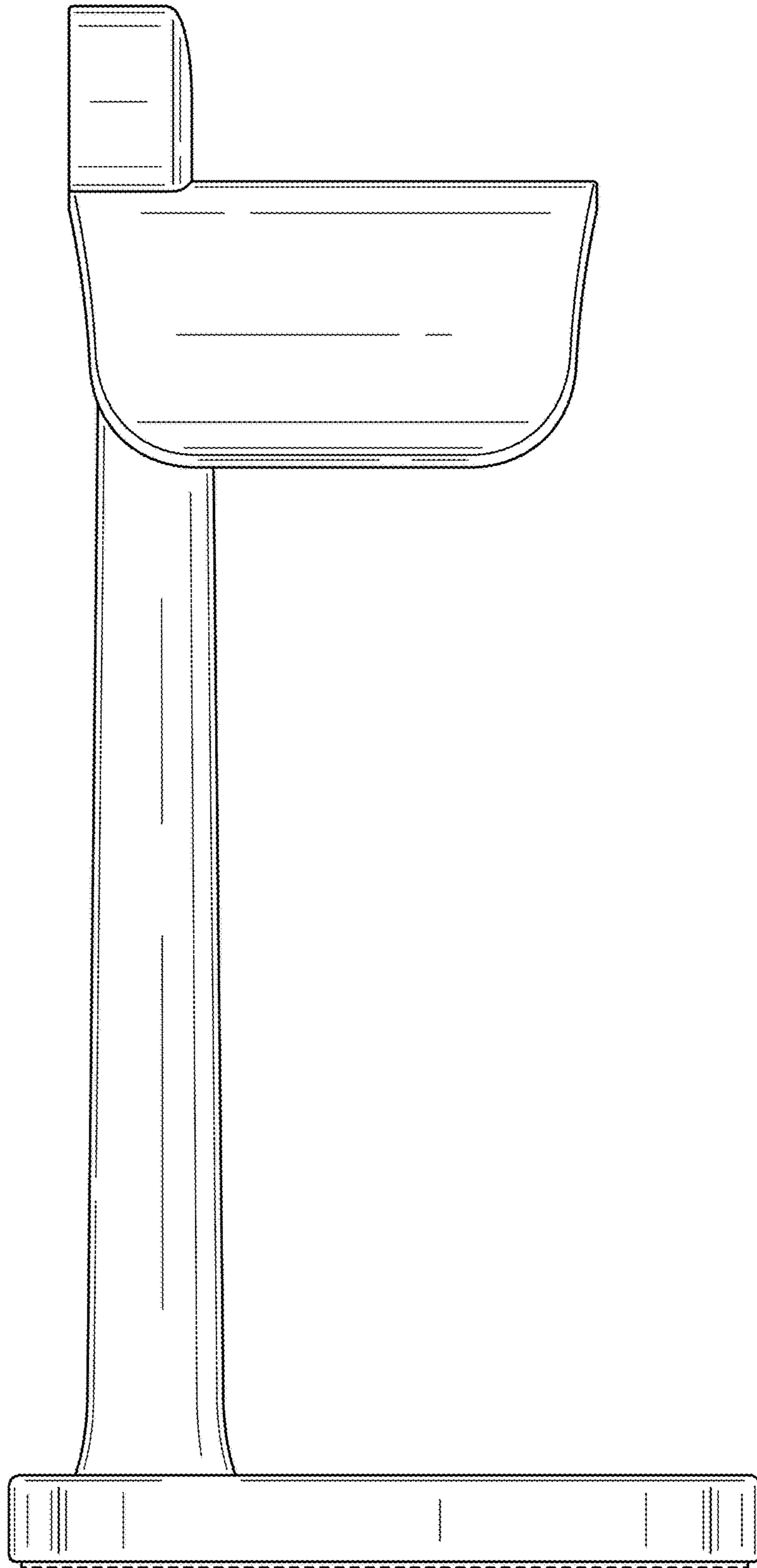


FIG. 5

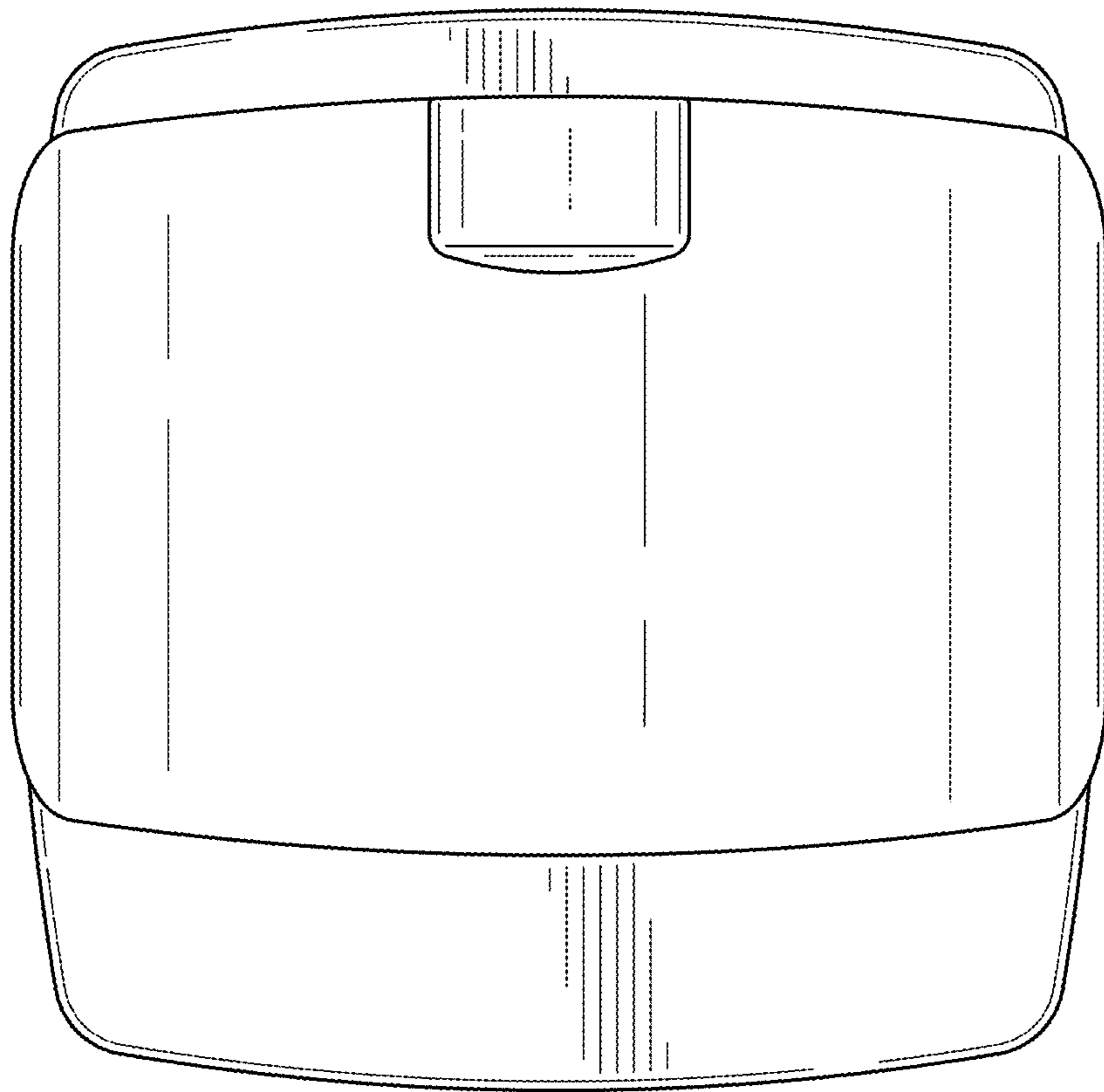


FIG. 6

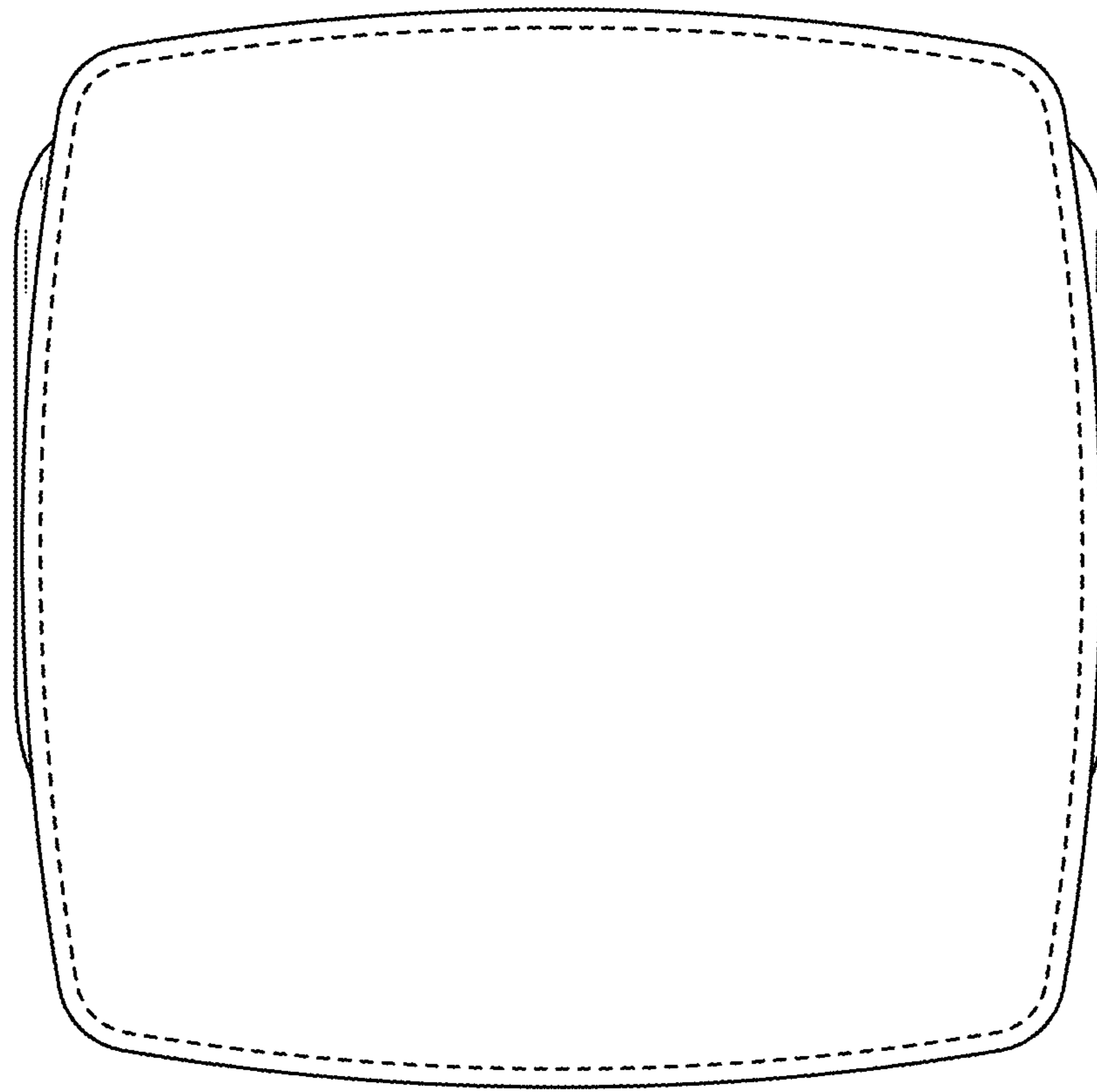


FIG. 7