



US00D785378S

(12) **United States Design Patent** (10) **Patent No.:** **US D785,378 S**
Brown et al. (45) **Date of Patent:** **** May 2, 2017**

(54) **FLOOR RACK**
(71) Applicants: **William Brown**, Columbia, MD (US);
Katrina Brown, Columbia, MD (US)
(72) Inventors: **William Brown**, Columbia, MD (US);
Katrina Brown, Columbia, MD (US)
(**) Term: **15 Years**
(21) Appl. No.: **29/549,049**
(22) Filed: **Dec. 18, 2015**
(51) **LOC (10) Cl.** **06-06**
(52) **U.S. Cl.**
USPC **D6/675.1**
(58) **Field of Classification Search**
USPC D6/672-673, 675, 675.1, 680.2; D26/13
CPC A47B 55/02; A47B 96/14; A47F 5/0006;
A47F 5/0018; A47F 5/0081; A47F 5/04
See application file for complete search history.

6,112,909 A 9/2000 Moseley
D431,949 S * 10/2000 Nesch D6/552
D434,619 S * 12/2000 Janis D7/702
D442,711 S 5/2001 Patterson
D465,946 S 11/2002 Boyd, Jr.
D520,281 S * 5/2006 Lin D6/523
D558,529 S * 1/2008 McDavitt D11/125
7,451,882 B2 11/2008 McKay
D606,332 S * 12/2009 Horkey D6/680.3
D610,370 S 2/2010 Quan
D668,801 S * 10/2012 Oliver D26/13
D713,186 S * 9/2014 Miserendino D6/691.4
D752,370 S * 3/2016 Mchatet D6/675
2014/0103001 A1 4/2014 Epps

* cited by examiner

Primary Examiner — Kelley Donnelly

(57) **CLAIM**

The ornamental design for a floor rack, as shown and described.

DESCRIPTION

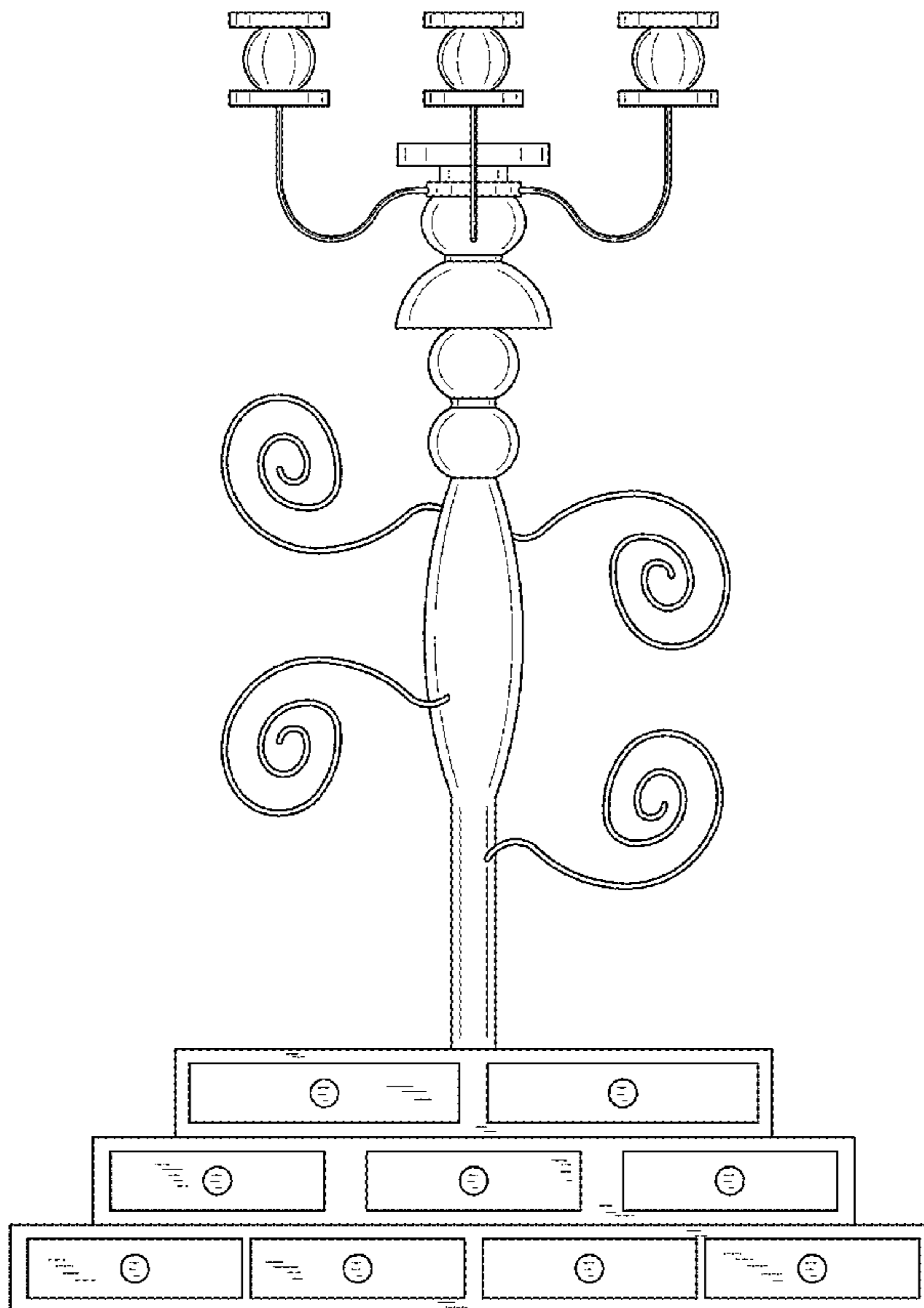
FIG. 1 is a front view of a floor rack showing my new design;
FIG. 2 is a rear view of the floor rack;
FIG. 3 is a left side view of the floor rack;
FIG. 4 is a right side view of the floor rack;
FIG. 5 is a top view of the floor rack; and,
FIG. 6 is a bottom view of the floor rack.

1 Claim, 6 Drawing Sheets

(56) **References Cited**

U.S. PATENT DOCUMENTS

D288,723 S * 3/1987 Liu D26/13
D330,293 S 10/1992 Basica
D345,871 S * 4/1994 Anderson D6/405
D401,434 S * 11/1998 Meteer D26/51
D403,212 S * 12/1998 Doret, Jr. D7/600.2



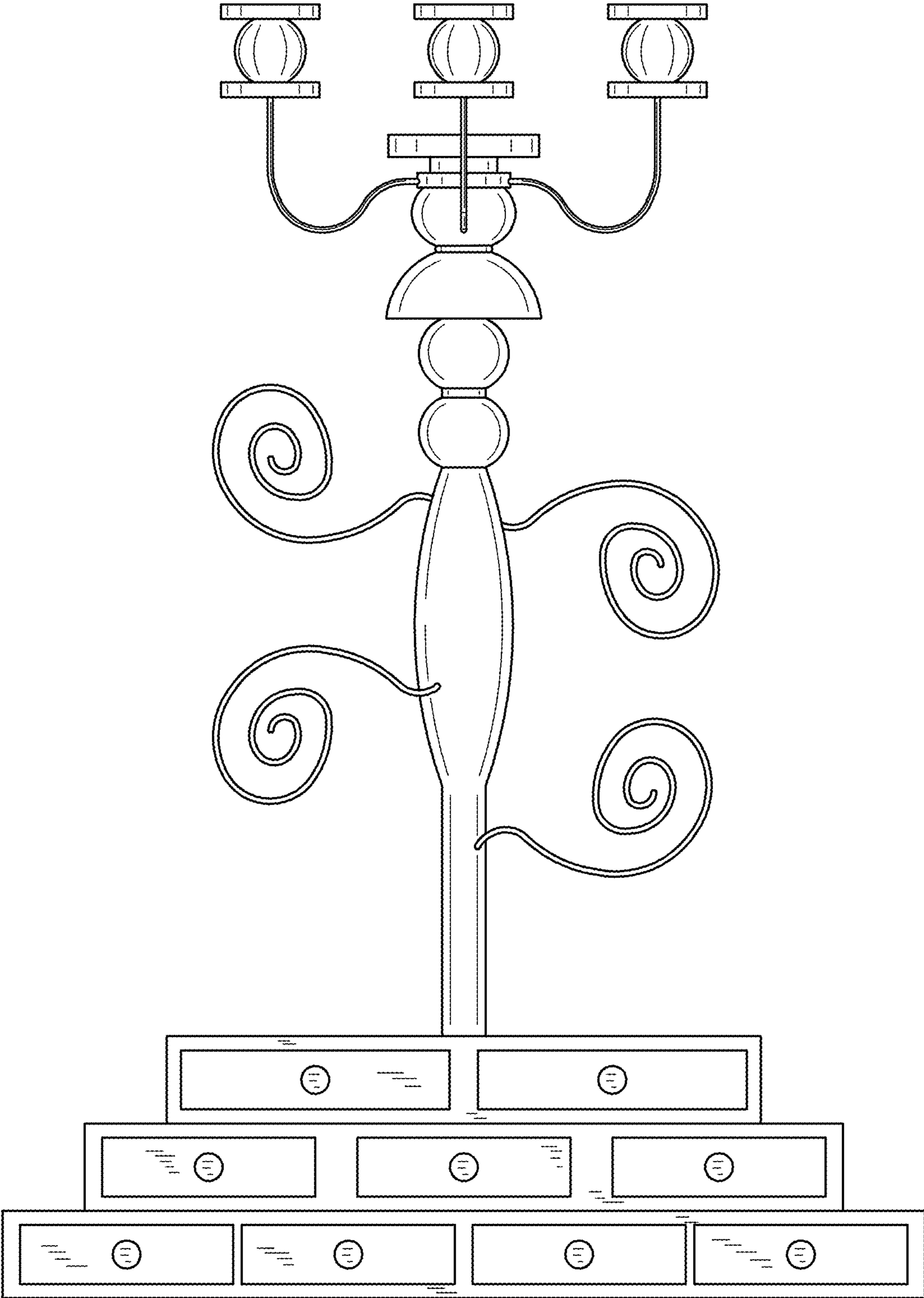


FIG. 1

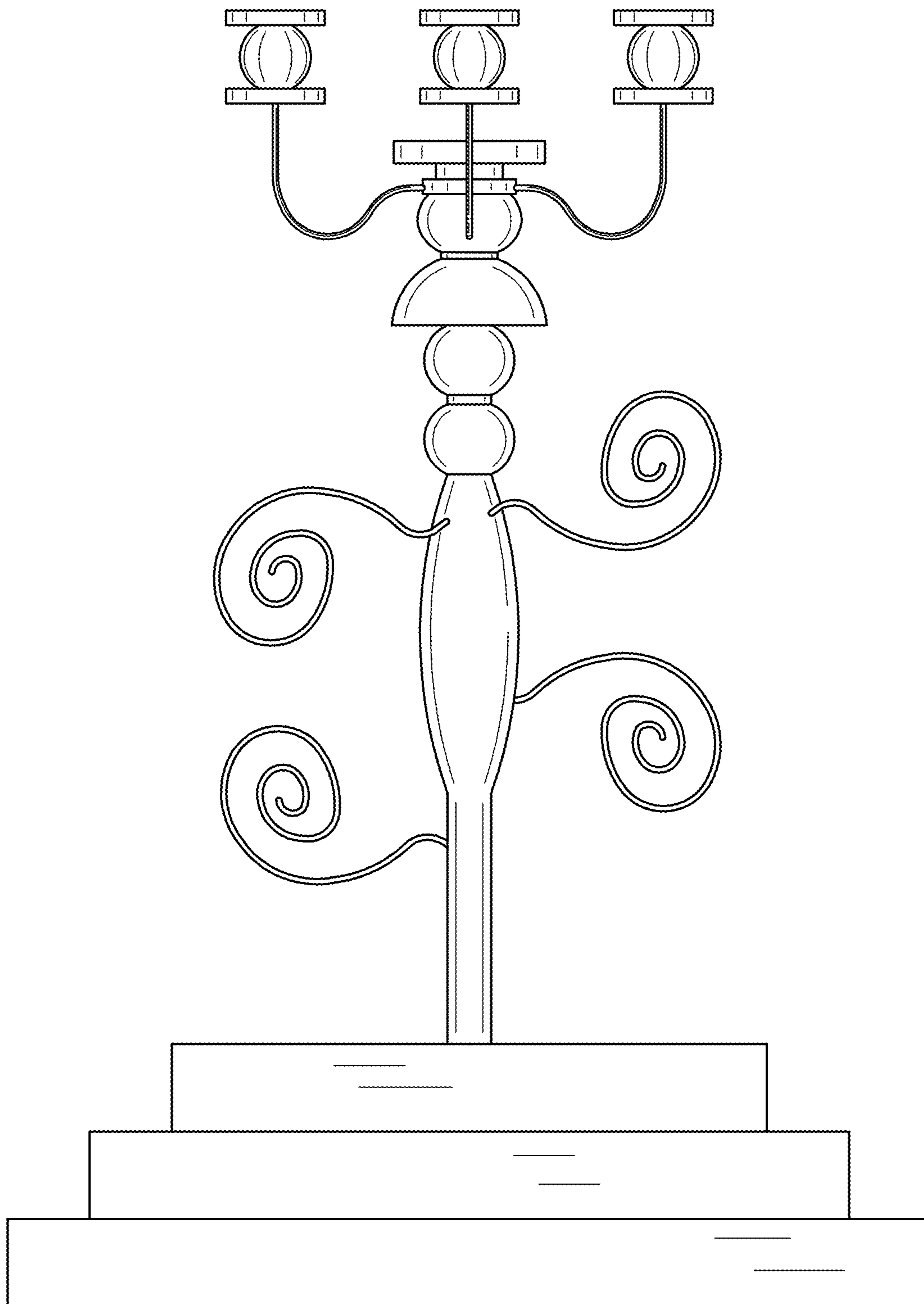


FIG. 2

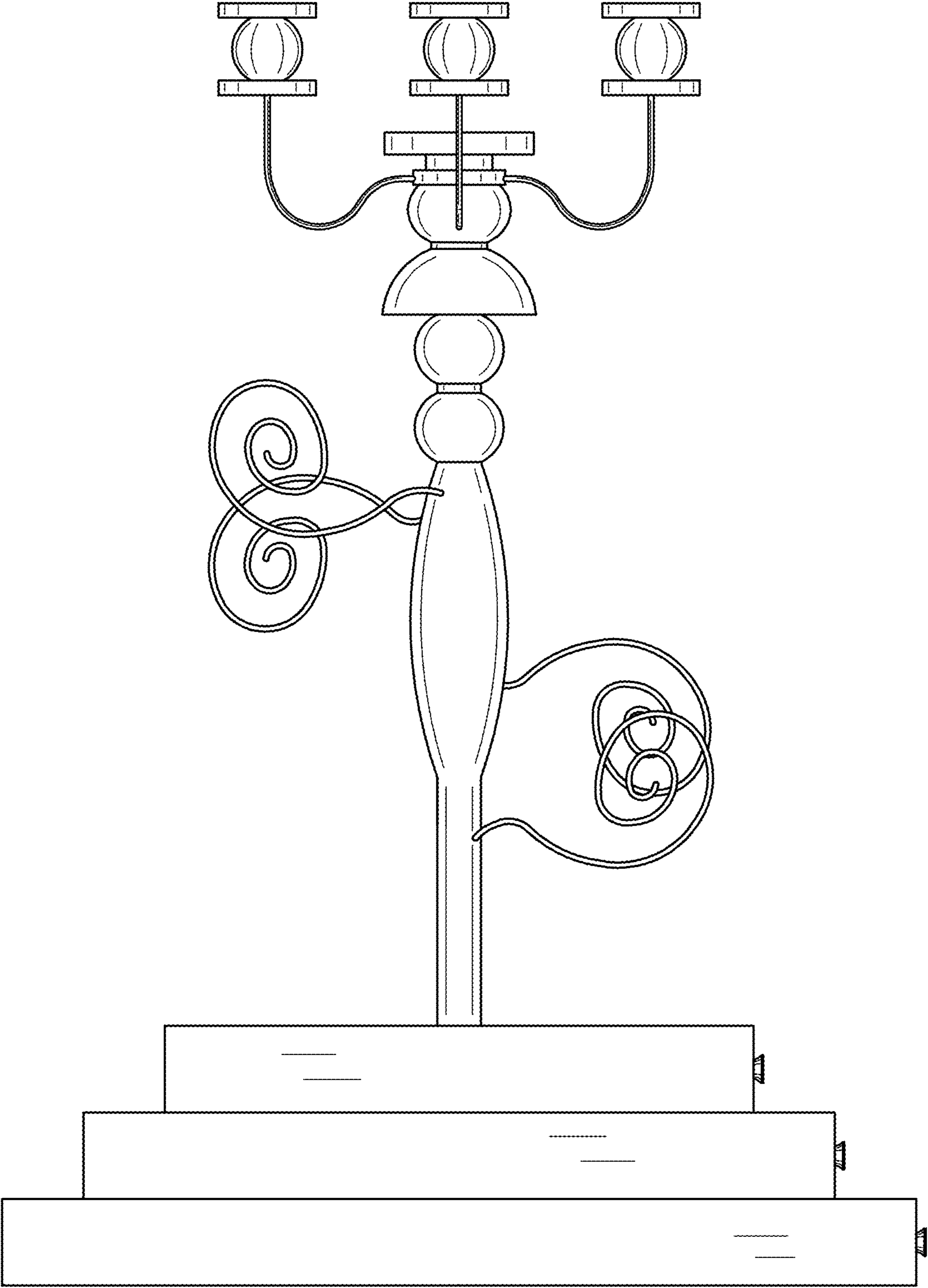


FIG. 3

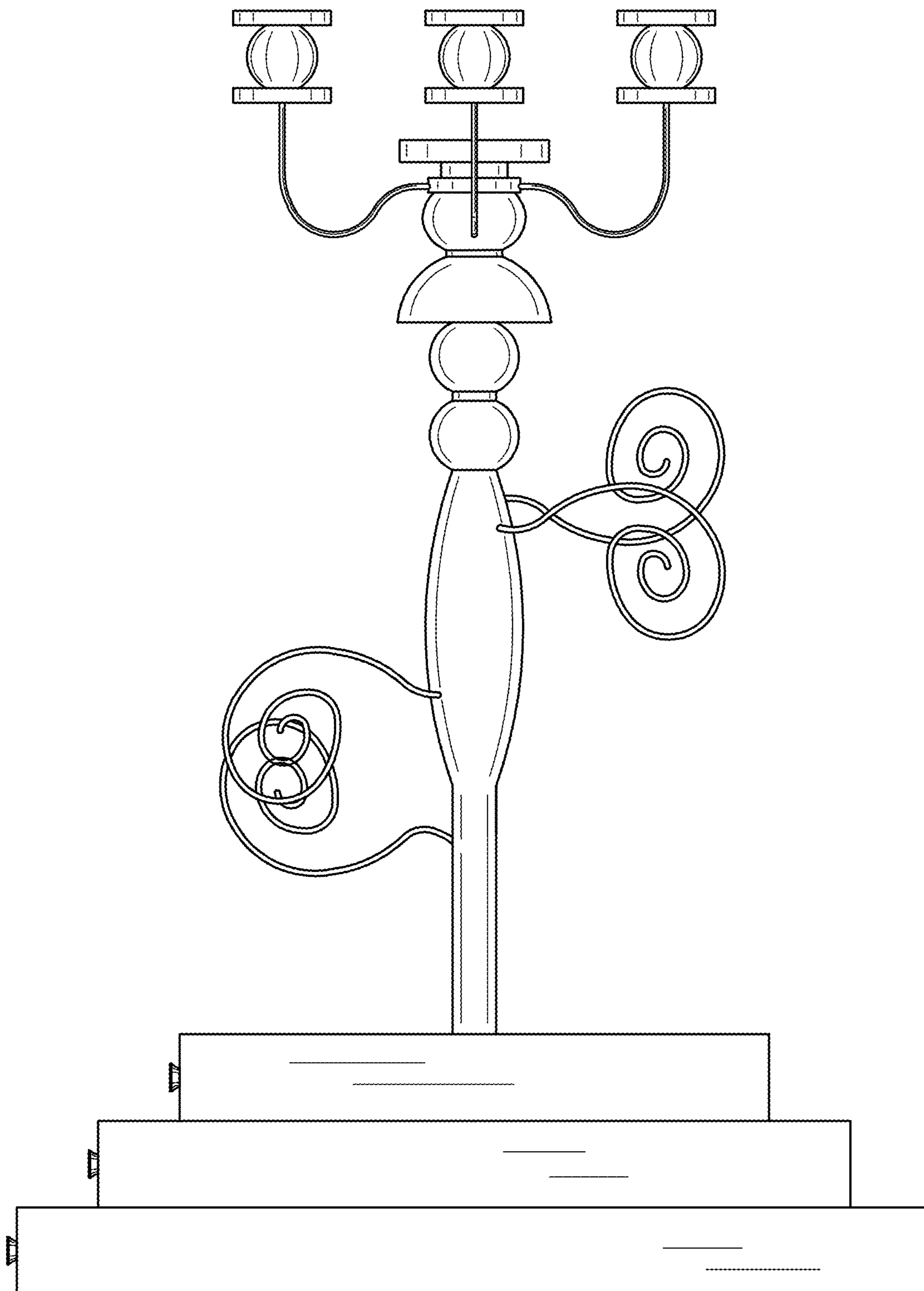


FIG. 4

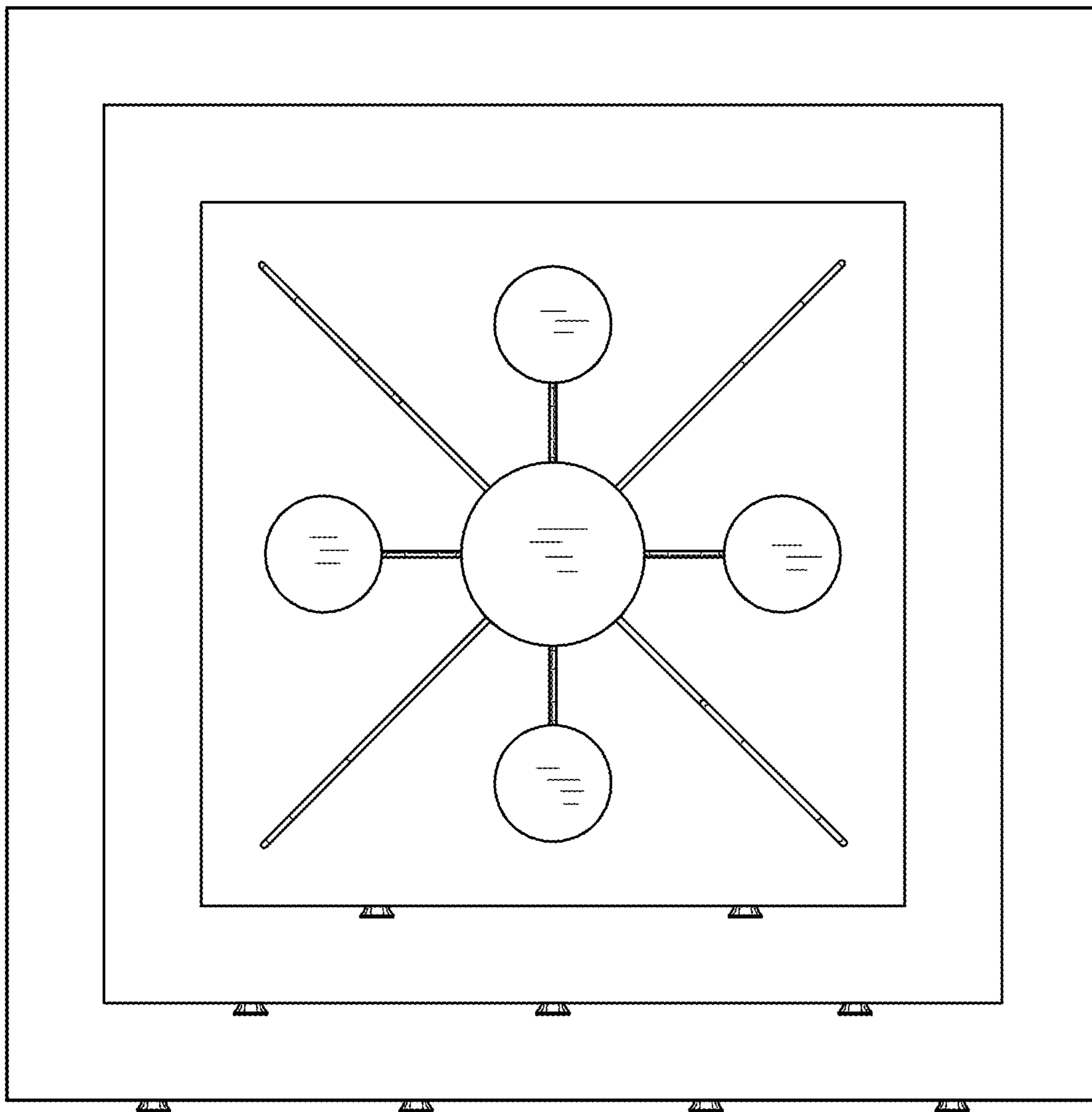


FIG. 5

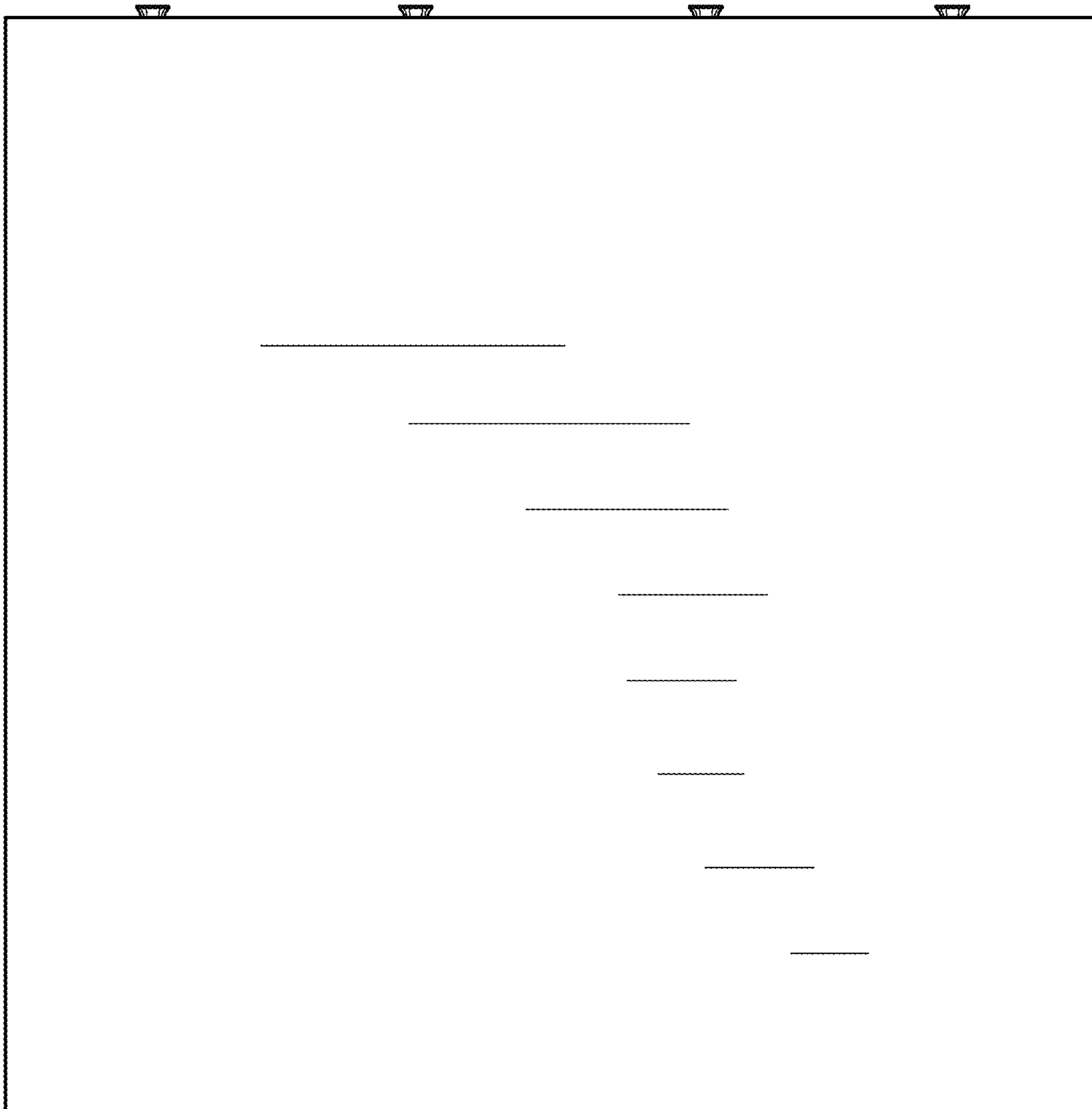


FIG. 6