



US00D785377S

(12) **United States Design Patent**
Choi

(10) **Patent No.:** **US D785,377 S**

(45) **Date of Patent:** **** May 2, 2017**

(54) **SHELF END**

(71) Applicant: **Judy Kyung Choi**, New York, NY
(US)

(72) Inventor: **Judy Kyung Choi**, New York, NY
(US)

(**) Term: **15 Years**

(21) Appl. No.: **29/530,419**

(22) Filed: **Jun. 16, 2015**

(51) **LOC (10) Cl.** **06-06**

(52) **U.S. Cl.**
USPC **D6/675.1**

(58) **Field of Classification Search**
USPC D6/685, 686, 687, 688, 688.1, 688.14,
D6/688.25, 695, 695.3, 716, 716.1
CPC A47C 4/03; A47C 5/06; A47C 5/12; A47C
7/16; A47C 11/00; A47C 15/00
See application file for complete search history.

(56) **References Cited**

U.S. PATENT DOCUMENTS

- 3,492,057 A * 1/1970 Watson A47B 29/00
211/42
- D337,673 S * 7/1993 Goetz D6/675.4
- 5,421,467 A * 6/1995 Dittborn A47B 87/0207
108/6
- D384,838 S * 10/1997 Topper D6/678.3
- D479,925 S * 9/2003 Hsieh D6/675.1
- D484,333 S * 12/2003 Frederick D6/571
- D496,809 S * 10/2004 Dardashti D6/675.1

- D711,174 S * 8/2014 Skalka D6/717
- D711,176 S * 8/2014 Skalka D6/717
- D727,669 S * 4/2015 Skalka D6/717
- D758,775 S * 6/2016 Stirling D6/717
- D761,591 S * 7/2016 Boorazanes D6/574
- D763,027 S * 8/2016 Yesayan D6/705
- D763,028 S * 8/2016 Yesayan D6/705

* cited by examiner

Primary Examiner — Kelley Donnelly

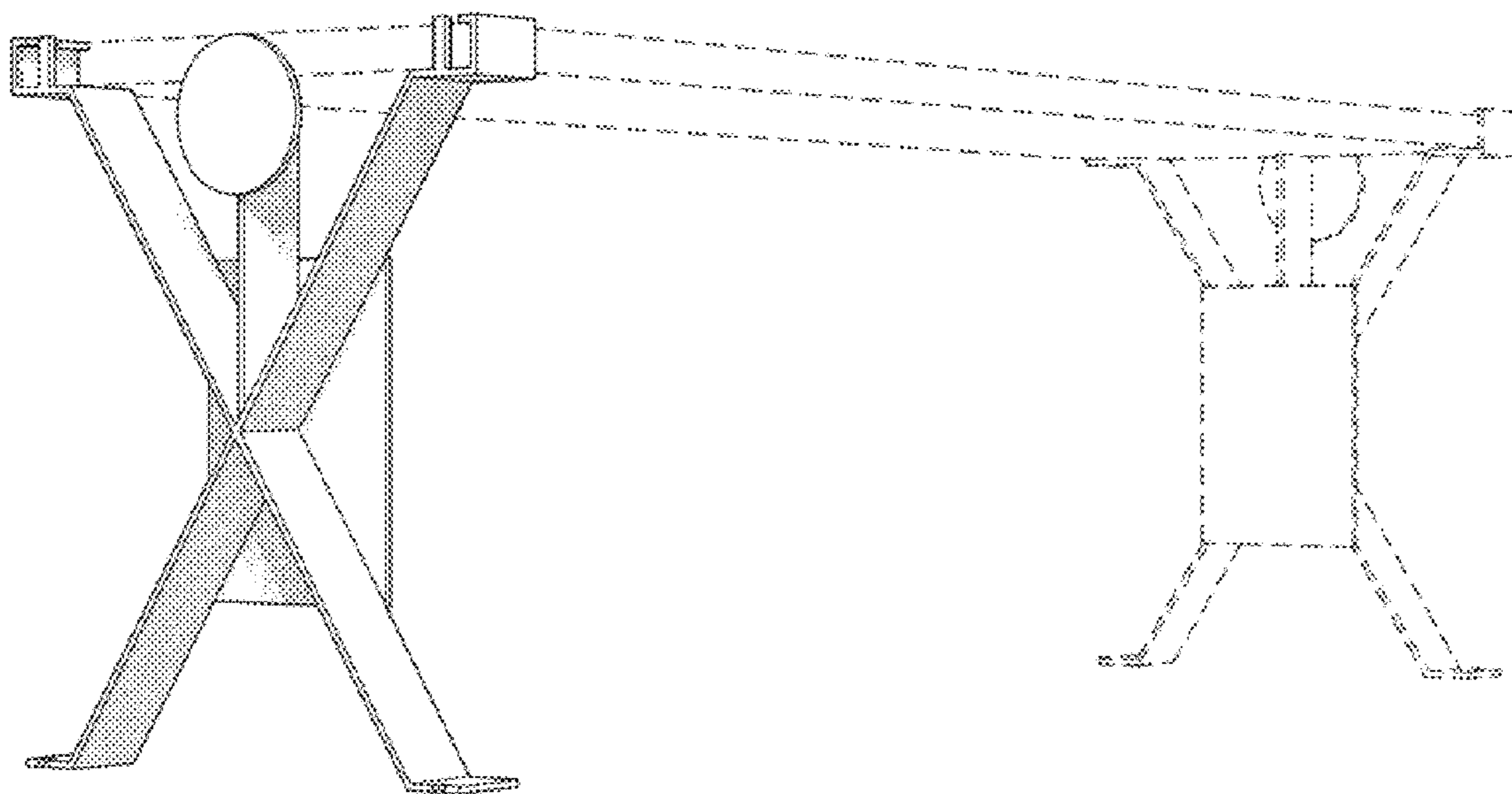
(57) **CLAIM**

The ornamental design for a shelf end, as shown and described.

DESCRIPTION

FIG. 1 is a perspective view of a shelf end showing my new design;
 FIG. 2 is a perspective view thereof;
 FIG. 3 is a front elevation view thereof shown with environment;
 FIG. 4 is a top plan view thereof;
 FIG. 5 is a bottom view thereof;
 FIG. 6 is a front view thereof;
 FIG. 7 is a sectional view thereof;
 FIG. 8 is a right side view thereof;
 FIG. 9 is a back view thereof;
 FIG. 10 is an isometric back view thereof;
 FIG. 11 is an isometric front view thereof;
 FIG. 12 is an enlarged view of the hand interlocked with another shelf end; and,
 FIG. 13 is an enlarged view of the foot interlocked with another shelf end.

1 Claim, 4 Drawing Sheets



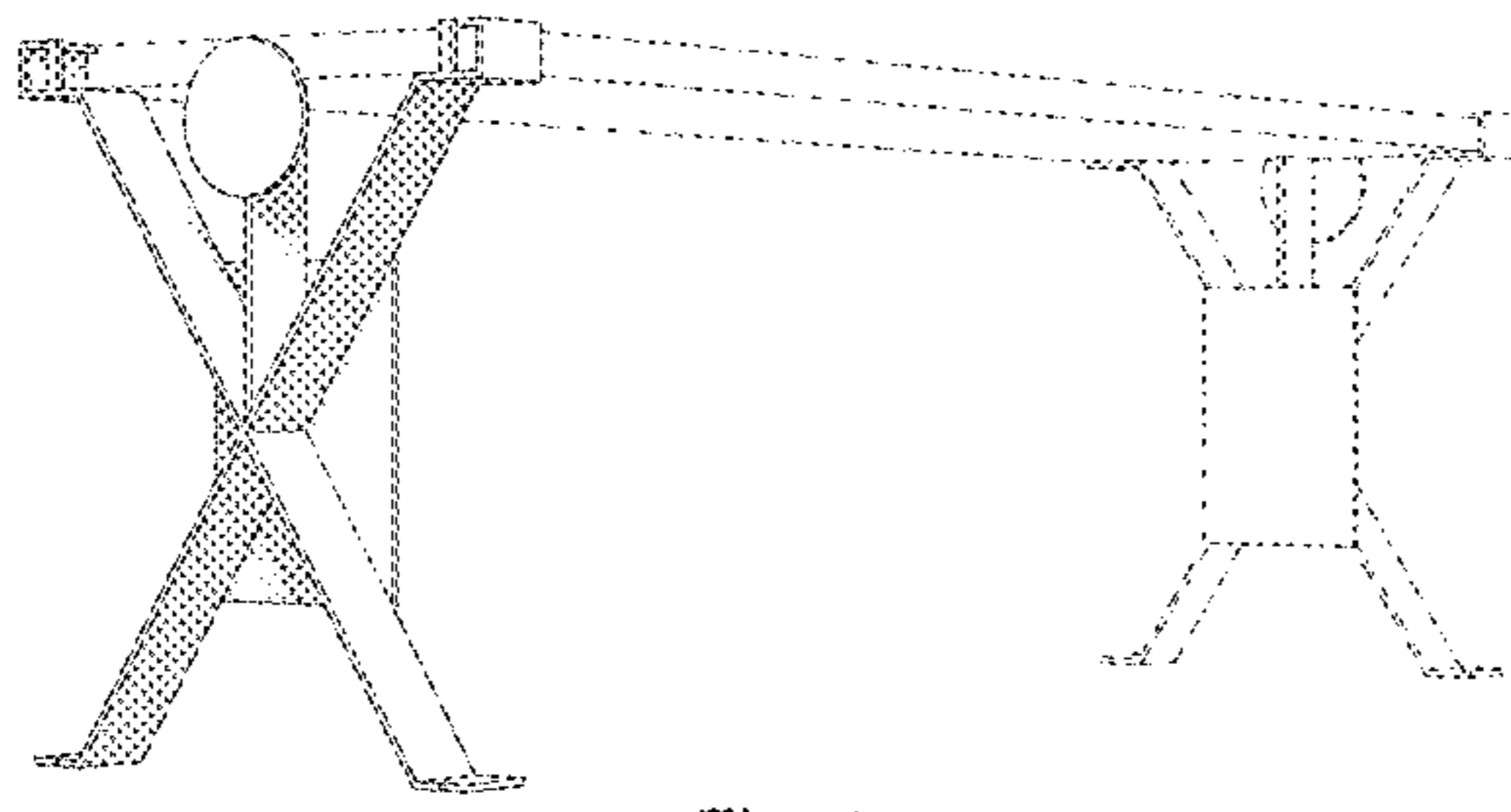


Fig. 1

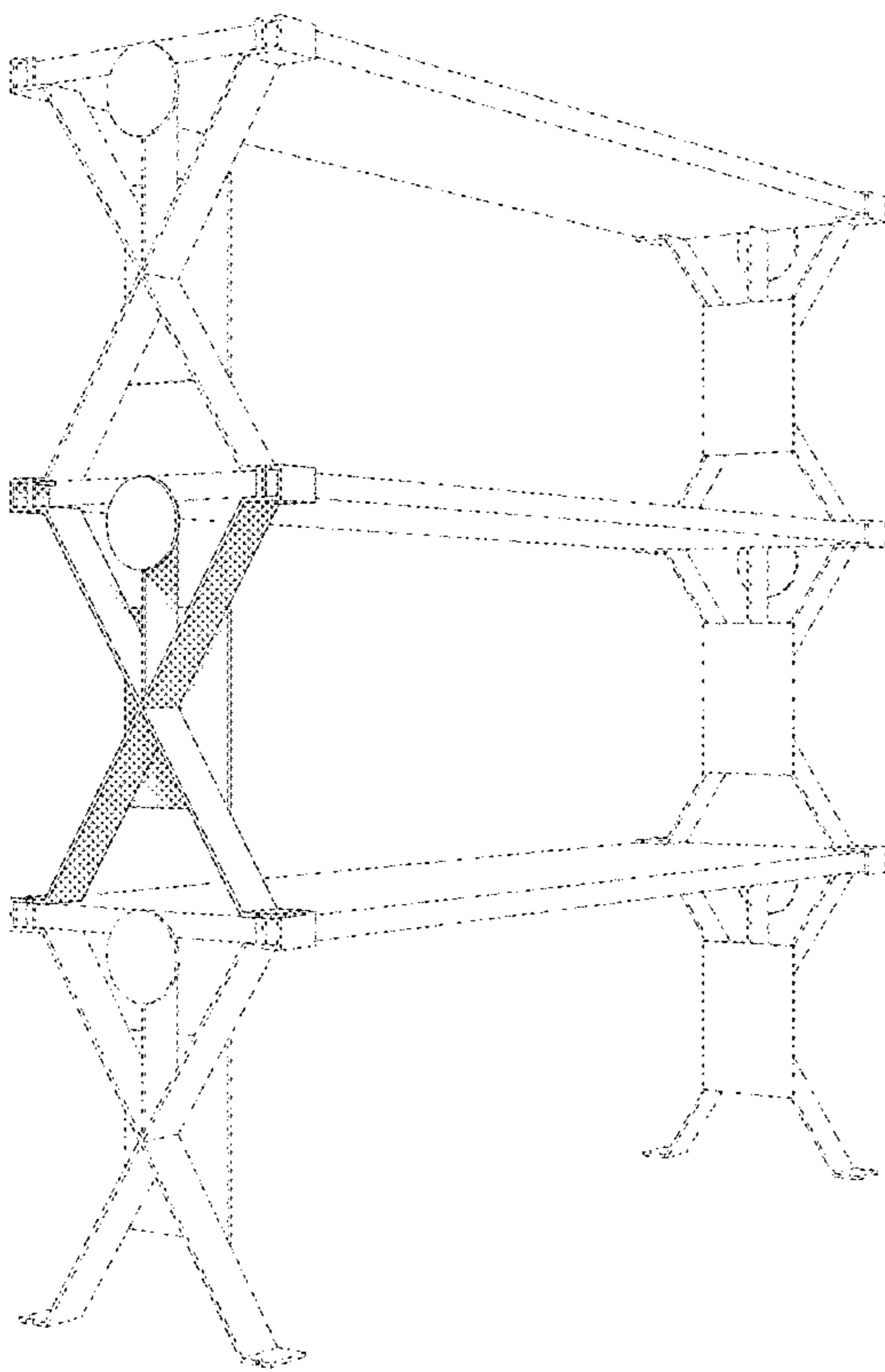


Fig. 2

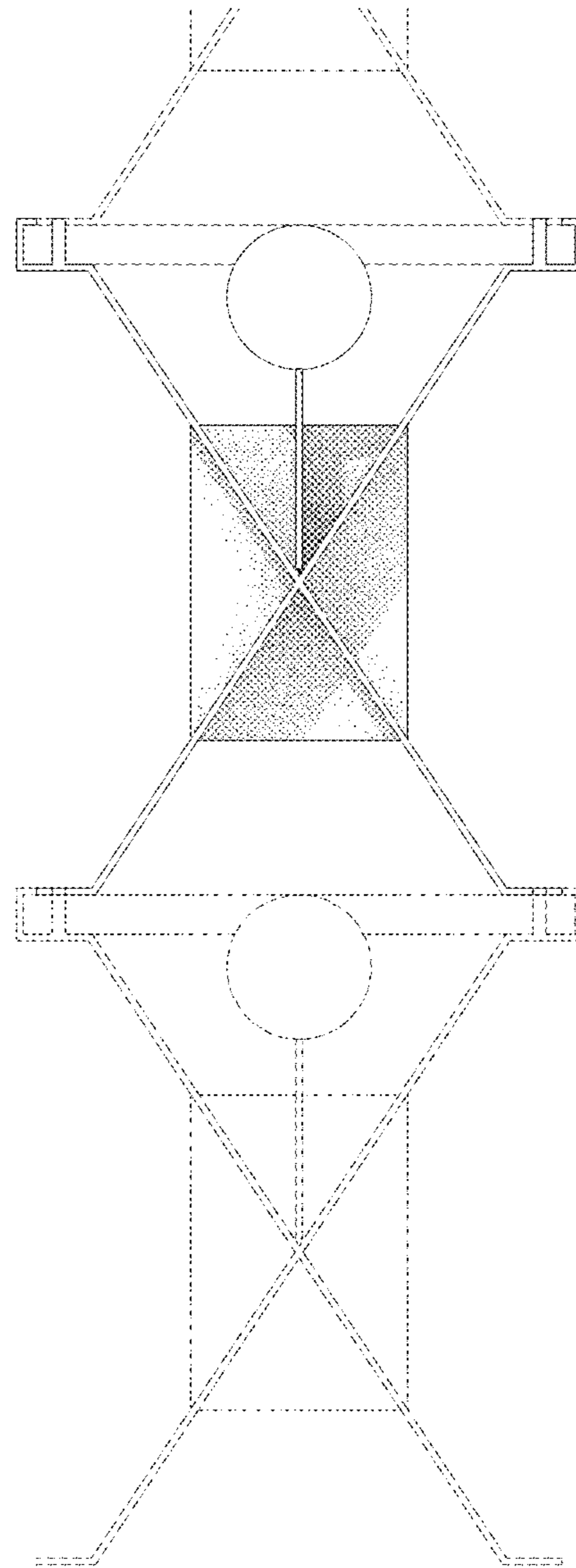


Fig. 3

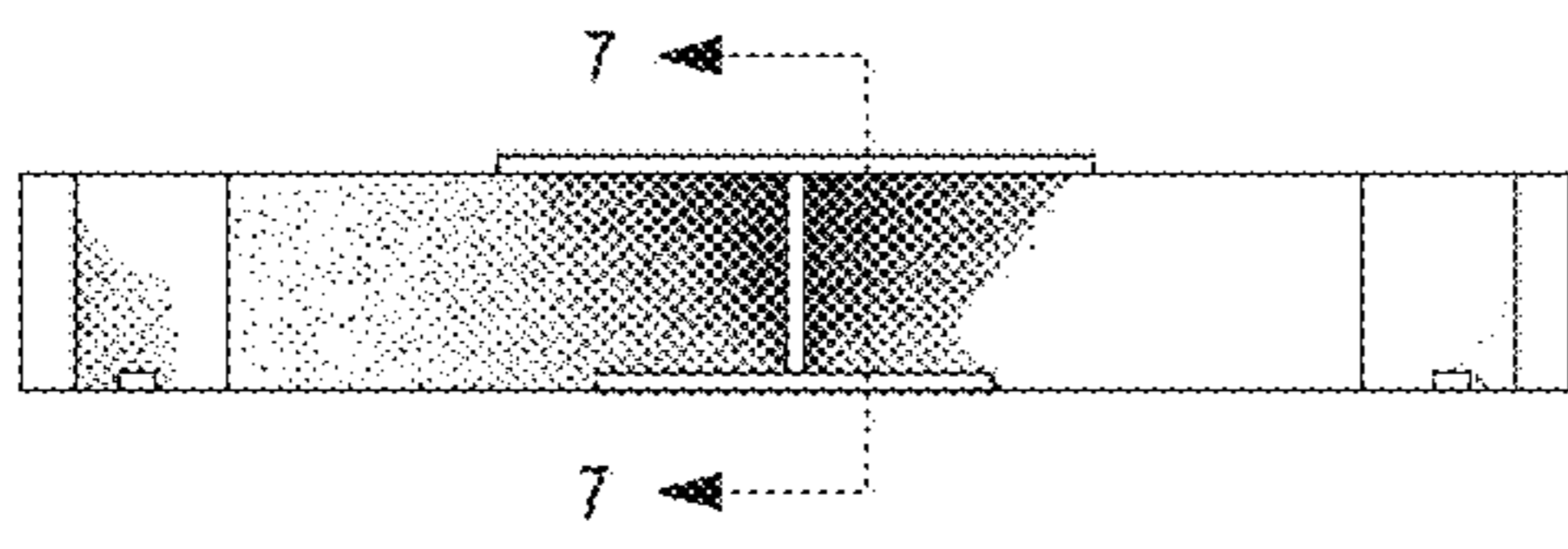


Fig. 4

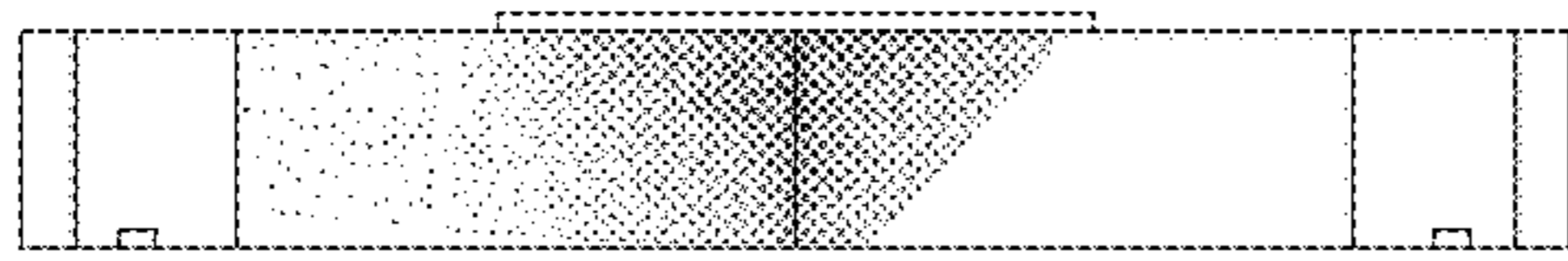


Fig. 5

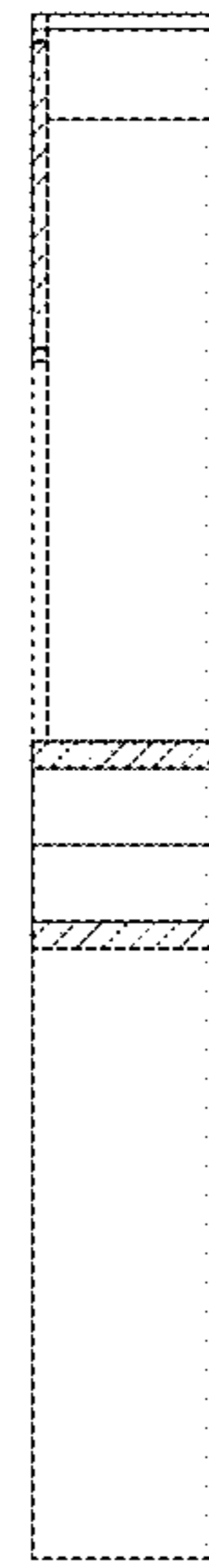


Fig. 7



Fig. 8

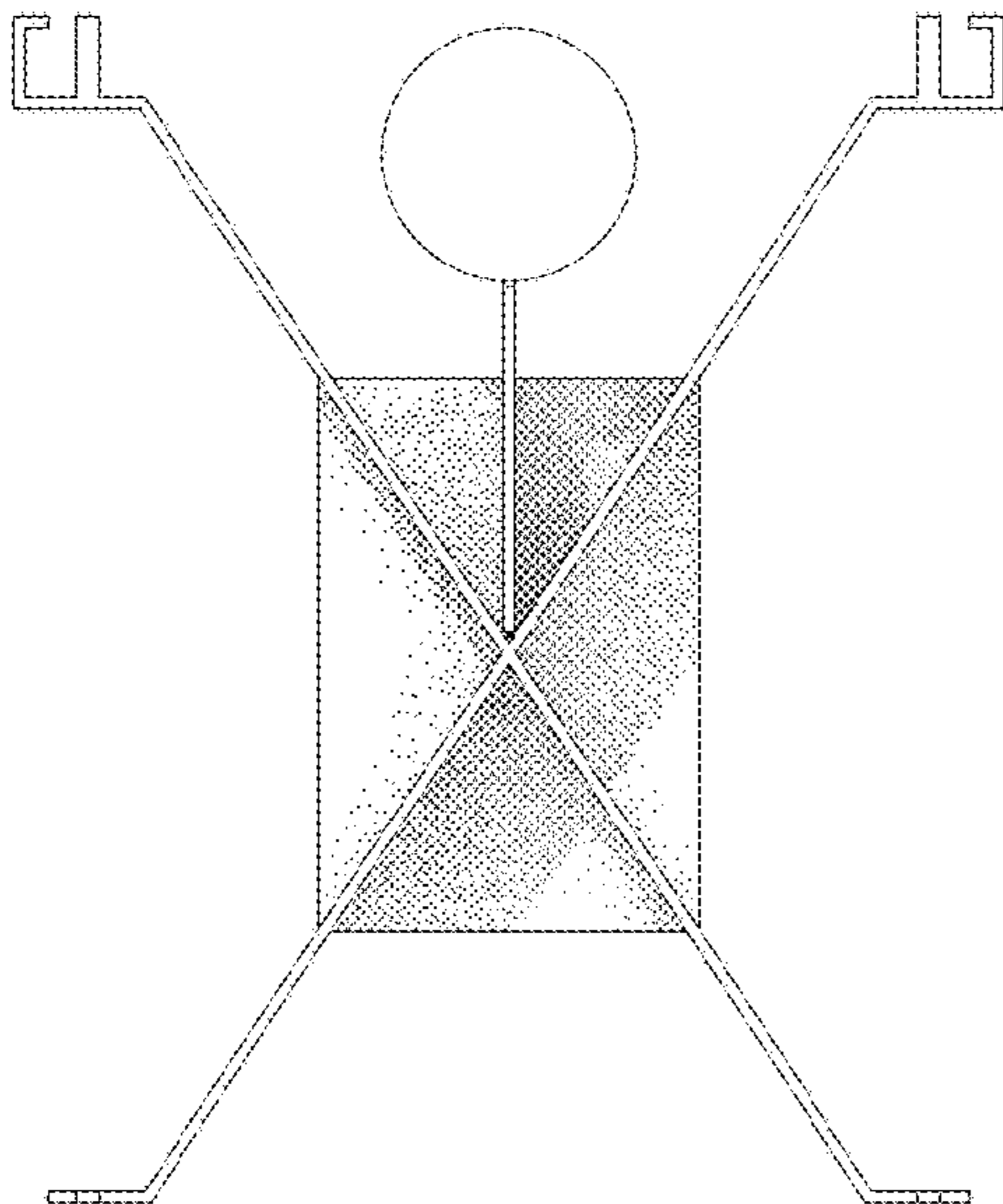


Fig. 6

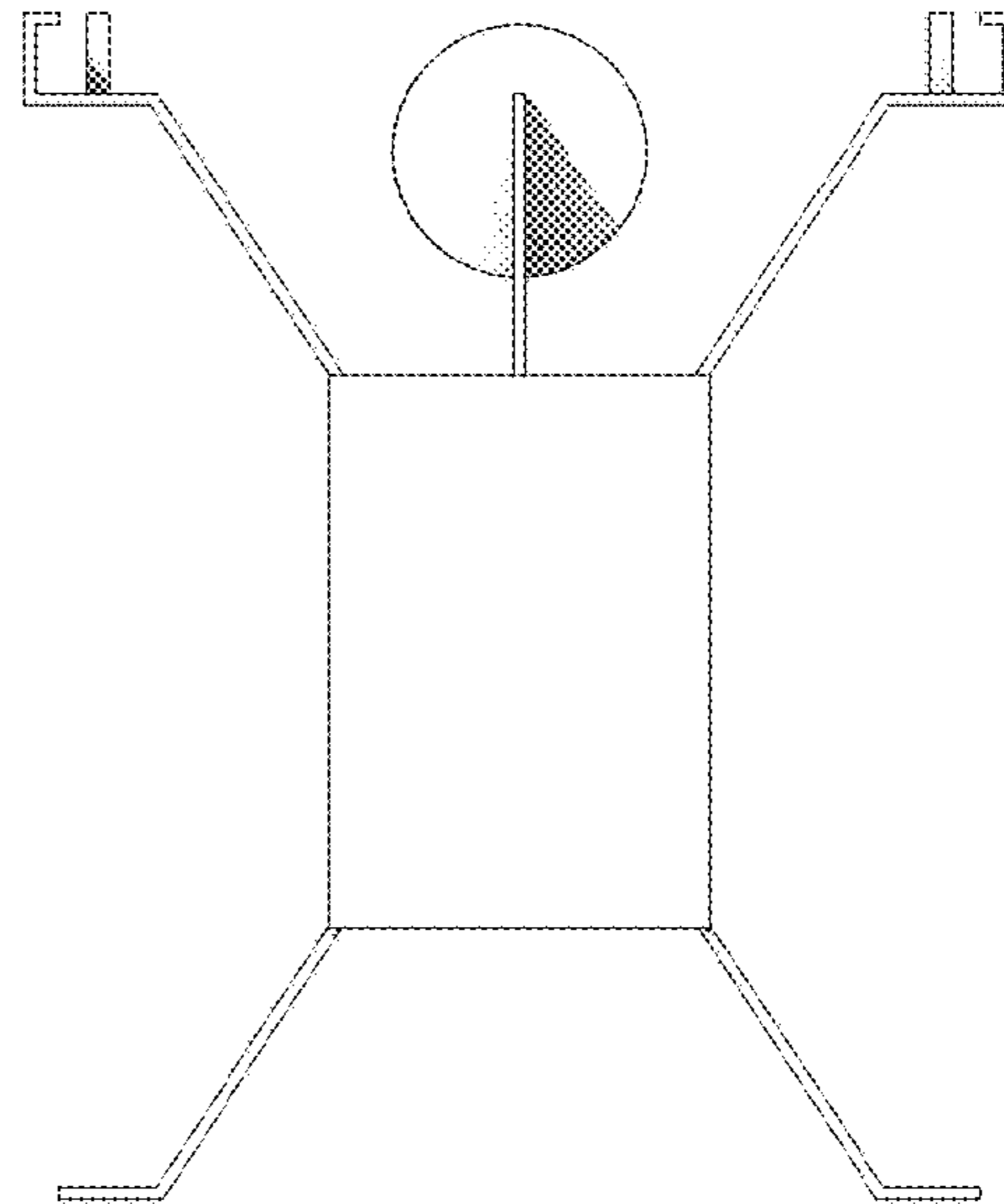


Fig. 9

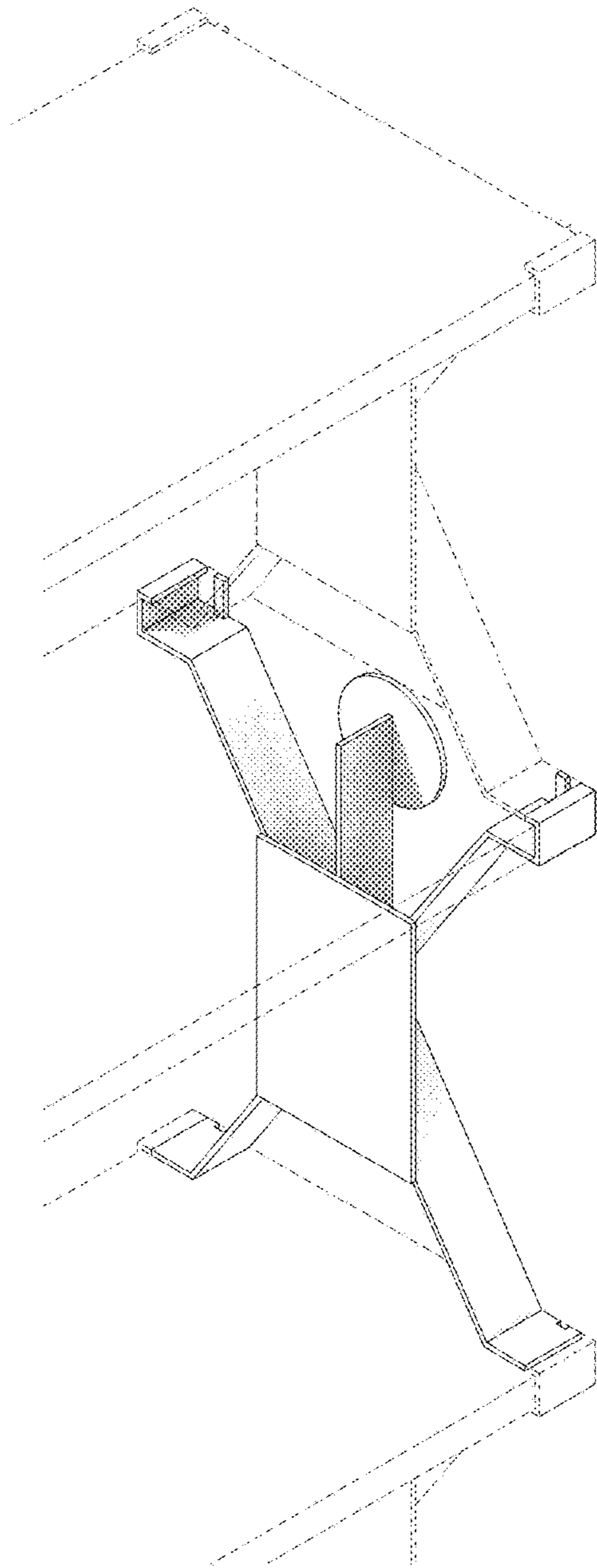


Fig. 10

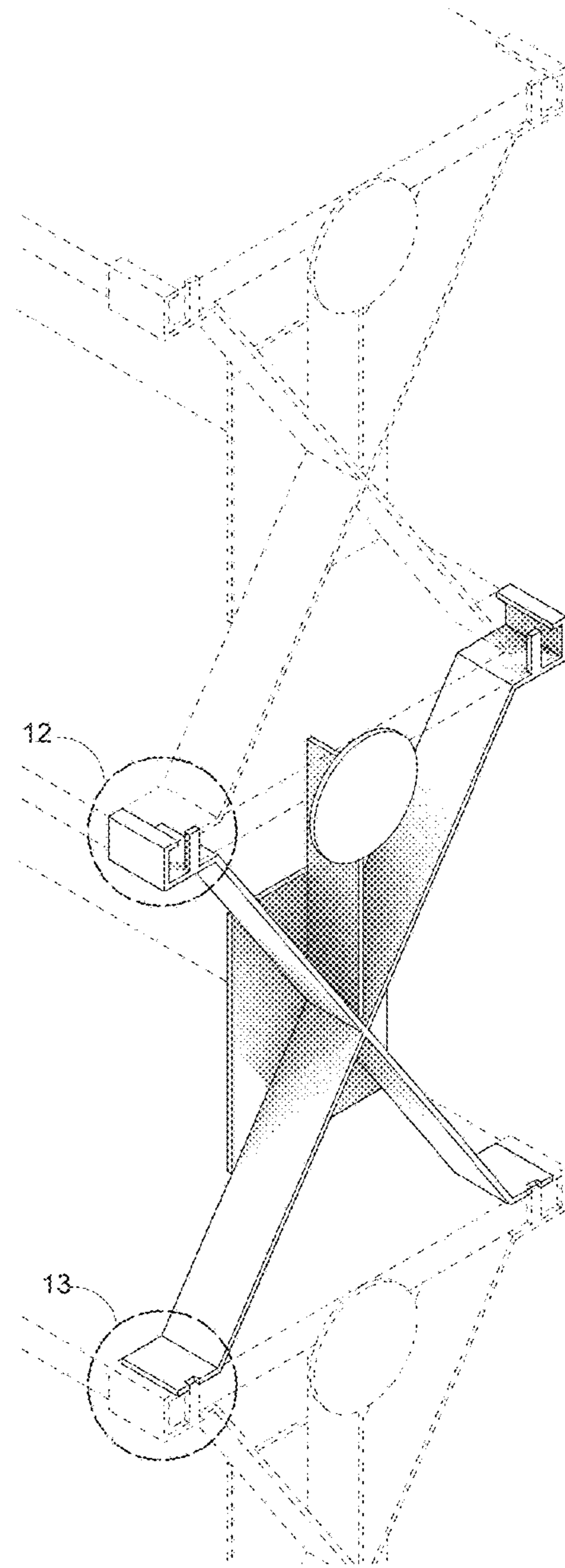


Fig. 11

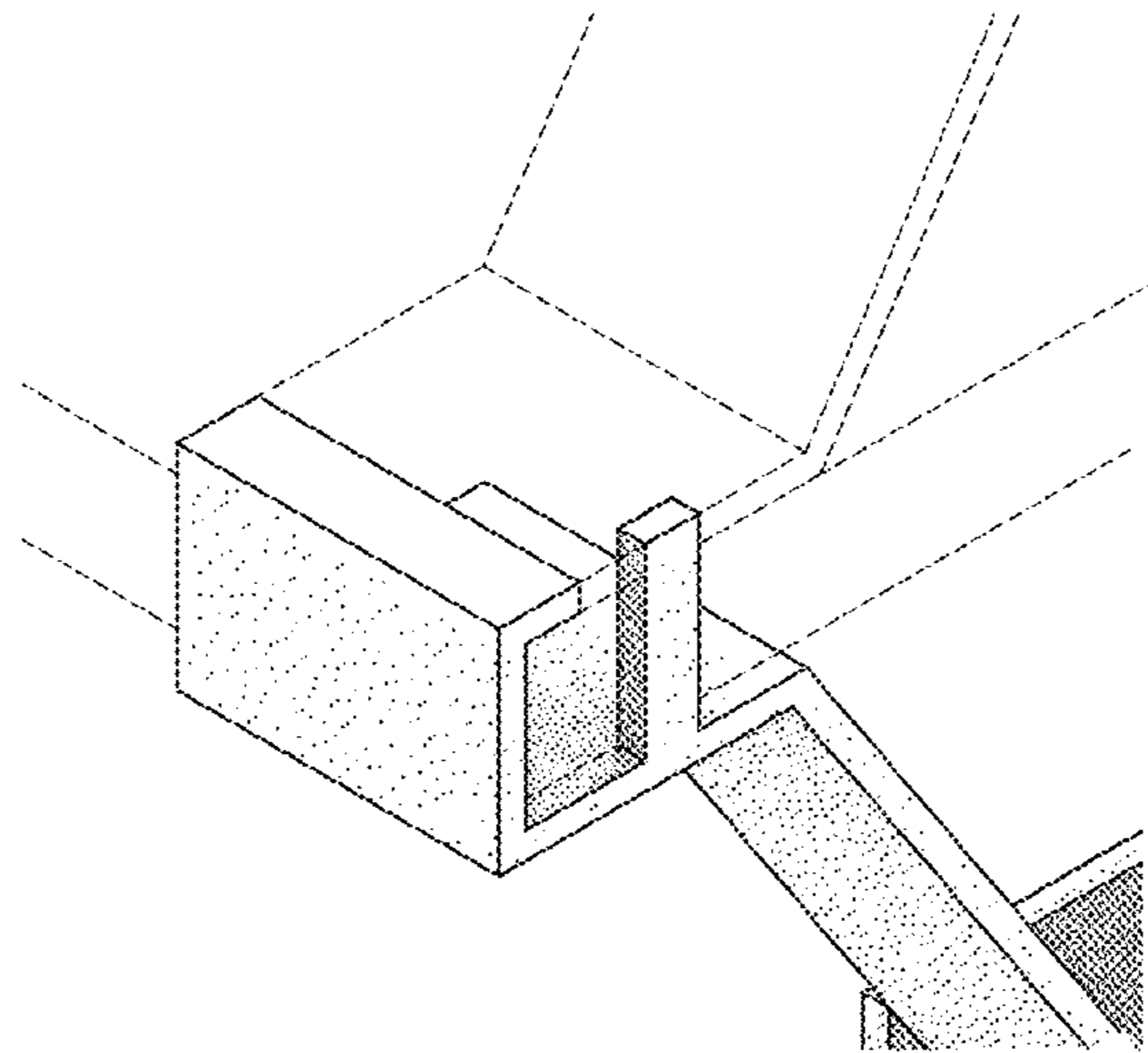


Fig. 12

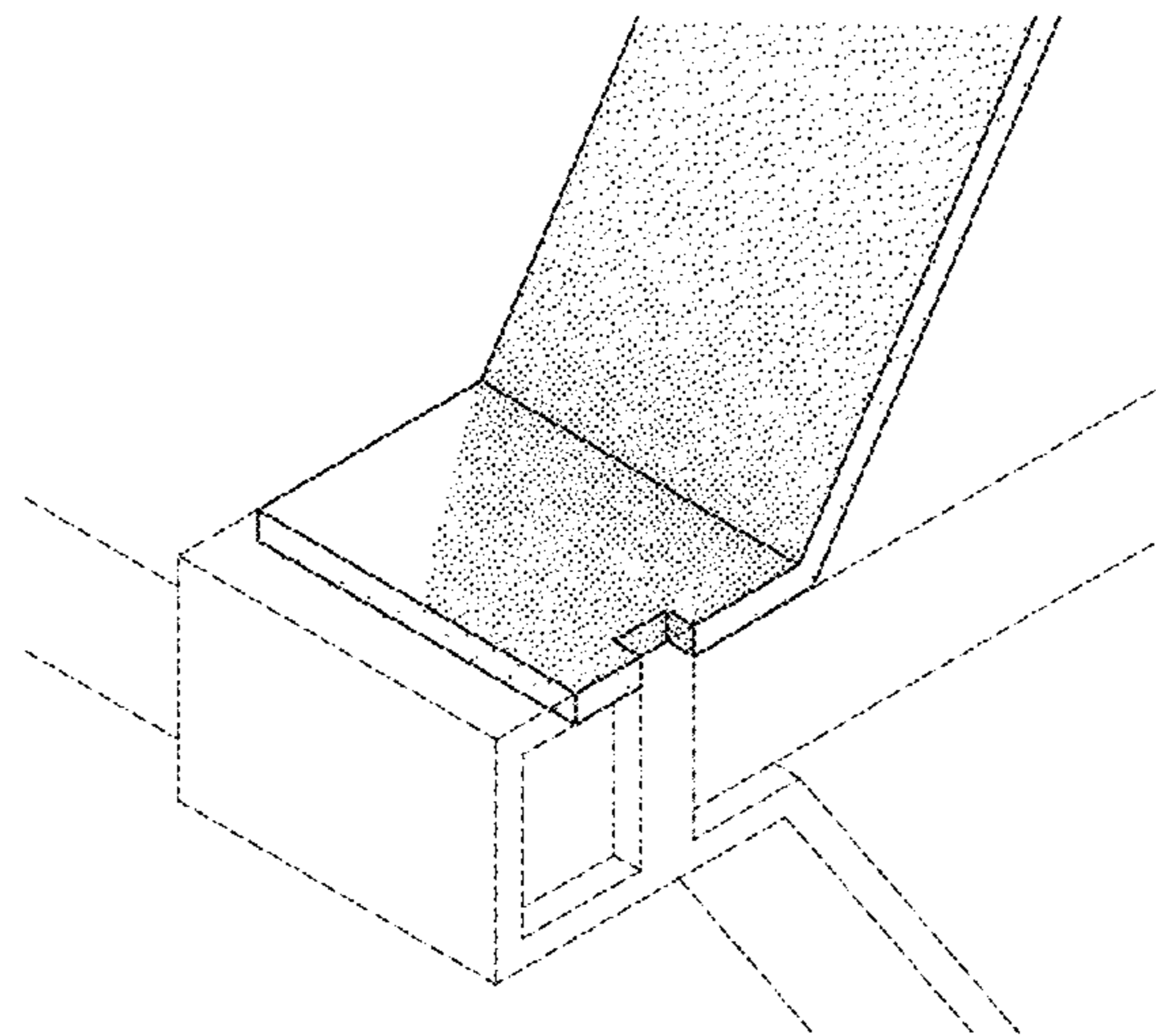


Fig. 13