



US00D785376S

(12) **United States Design Patent**  
**Peña et al.**

(10) **Patent No.:** **US D785,376 S**

(45) **Date of Patent:** **\*\* May 2, 2017**

(54) **CUSTOM DISPLAY STORAGE UNIT**

(71) Applicant: **Kraftlyn, Inc.**, Austin, TX (US)

(72) Inventors: **Karla Peña**, Tucson, AZ (US); **Rene Peña**, Tucson, AZ (US)

(73) Assignee: **Kraftlyn, Inc.**, San Antonio, TX (US)

(\*\*) Term: **14 Years**

(21) Appl. No.: **29/521,491**

(22) Filed: **Mar. 24, 2015**

**Related U.S. Application Data**

(63) Continuation of application No. 14/313,839, filed on Jun. 24, 2014.

(51) **LOC (10) Cl.** ..... **06-04**

(52) **U.S. Cl.**  
USPC ..... **D6/663**

(58) **Field of Classification Search**  
USPC ... D6/657, 663-665, 668, 668.1, 668.2, 671, D6/671.1, 677.3, 703  
CPC ..... A47B 17/04; A47B 47/02; A47B 47/03; A47B 87/00; A47F 3/06; A47F 3/043; A47F 3/0434

See application file for complete search history.

(56) **References Cited**

**U.S. PATENT DOCUMENTS**

D353,282 S \* 12/1994 Keller ..... D6/671.1  
D374,785 S \* 10/1996 Keller ..... D6/671.1

D376,494 S \* 12/1996 Brunner ..... D6/671.1  
D400,029 S \* 10/1998 Zaidman ..... D6/671.1  
D401,447 S \* 11/1998 Hazen ..... D6/671.1  
D401,781 S \* 12/1998 Zaidman ..... D6/671.1  
D440,789 S \* 4/2001 Tabbia ..... D6/671.1  
D638,234 S \* 5/2011 Kirkeby ..... D6/671  
D674,067 S \* 1/2013 Ching ..... D23/342  
D722,456 S \* 2/2015 Kielwasser ..... D6/665  
D722,788 S \* 2/2015 Everson ..... D6/657

\* cited by examiner

*Primary Examiner* — Ricky Pham

(74) *Attorney, Agent, or Firm* — David G. Henry, Sr.; Gray, Reed & McGraw

(57) **CLAIM**

The ornamental design for a custom display storage unit, as shown and described.

**DESCRIPTION**

FIG. 1 is a front elevational view of a custom display storage unit.

FIG. 2 is a right-side elevational view of a custom display storage unit.

FIG. 3 is a rear elevational view of a custom display storage unit.

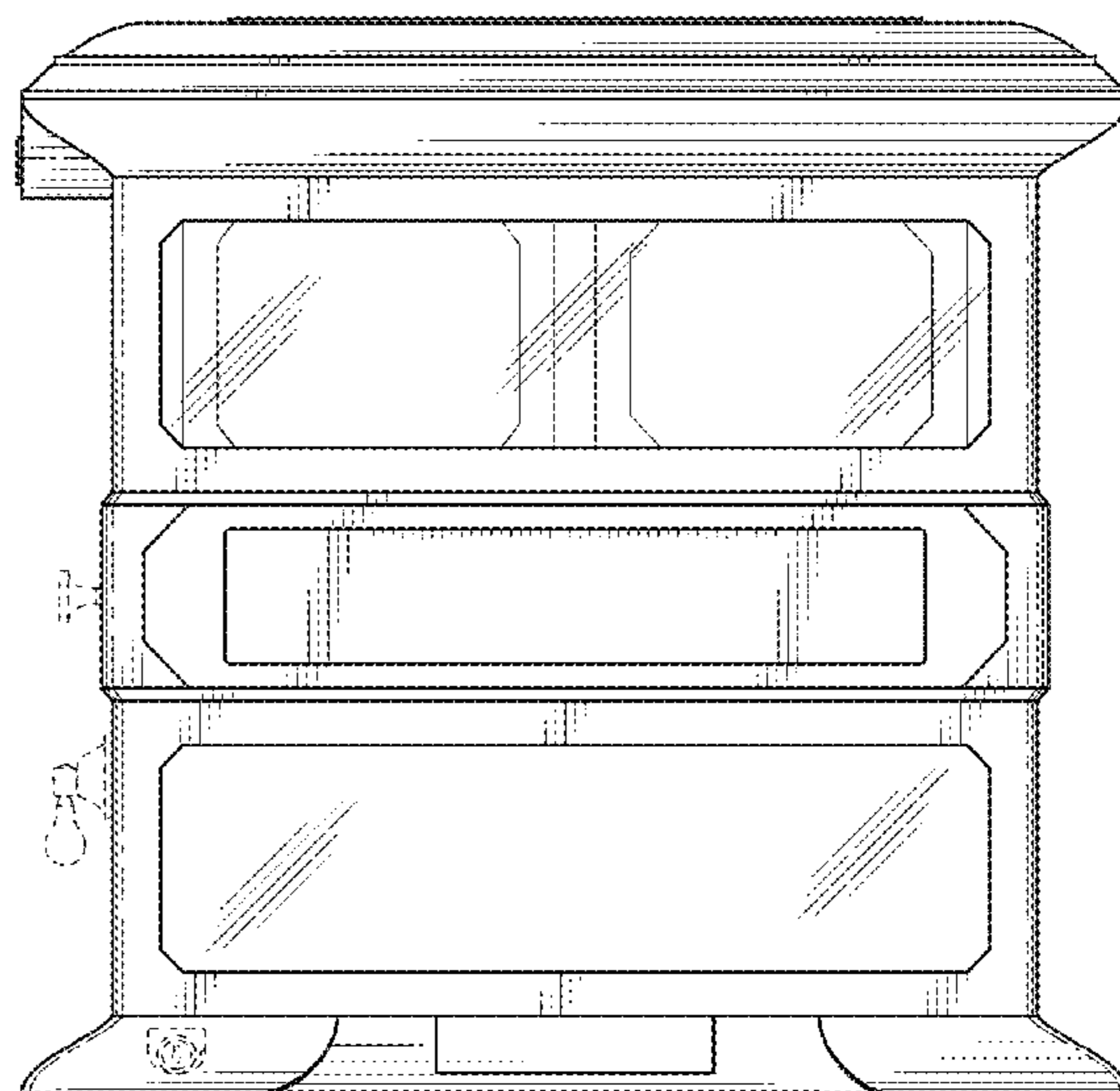
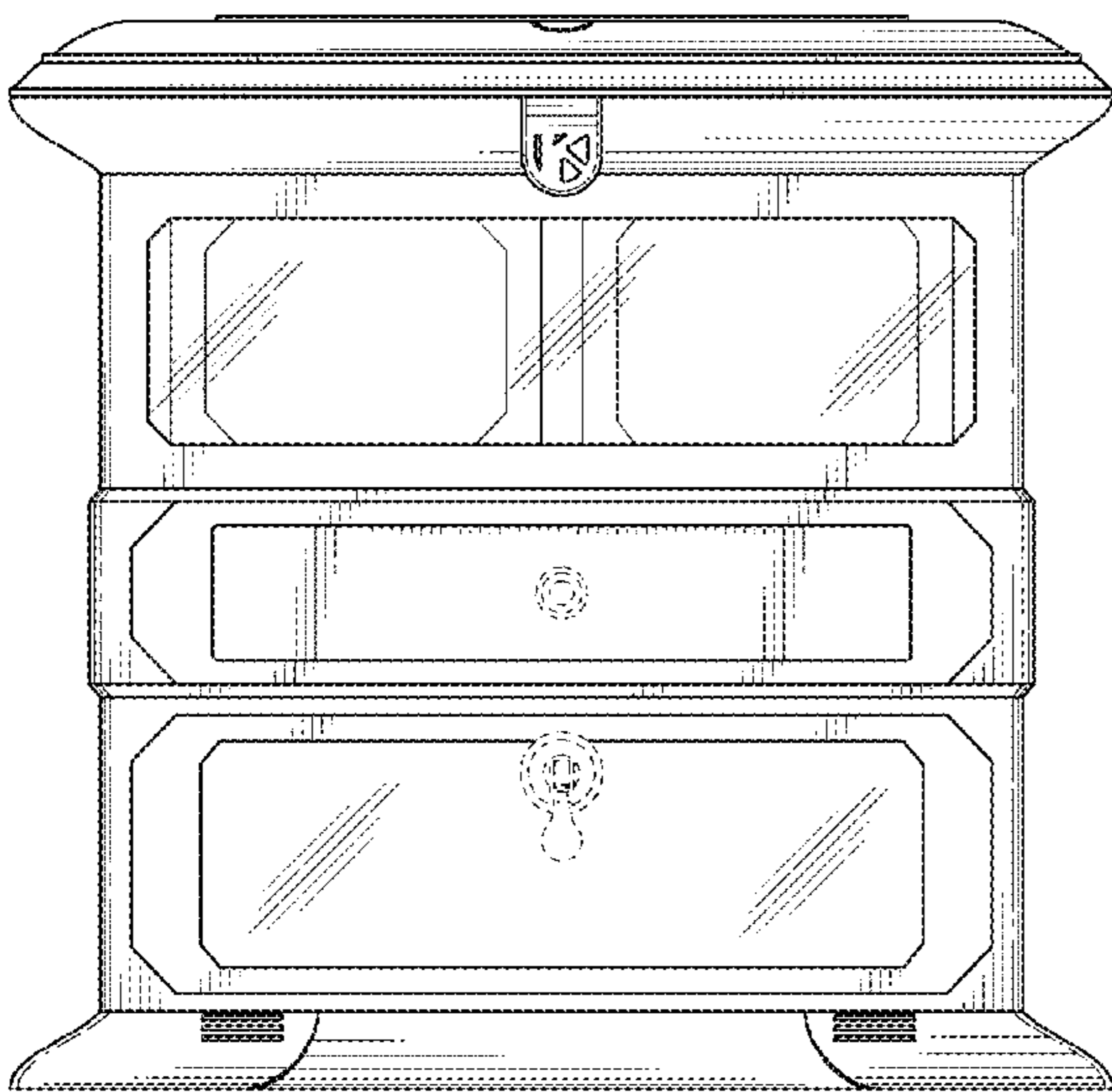
FIG. 4 is a left-side elevational view of a custom display storage unit.

FIG. 5 is a top plan view of a custom display storage unit; and,

FIG. 6 is a bottom plan view of a custom display storage unit.

The broken lines shown in the drawings are for illustrative purposes only and form no part of the claimed design.

**1 Claim, 3 Drawing Sheets**



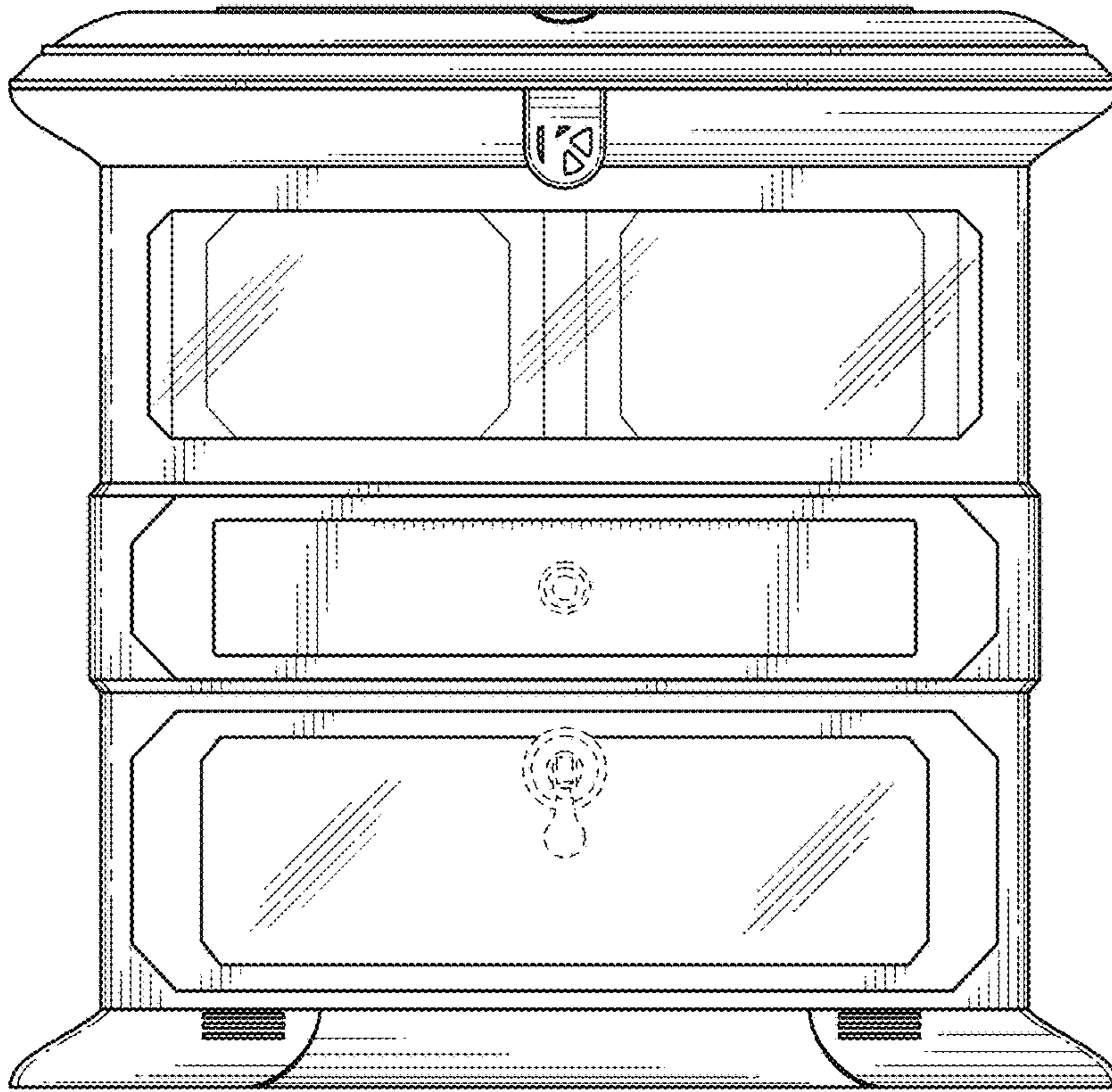


FIG. 1

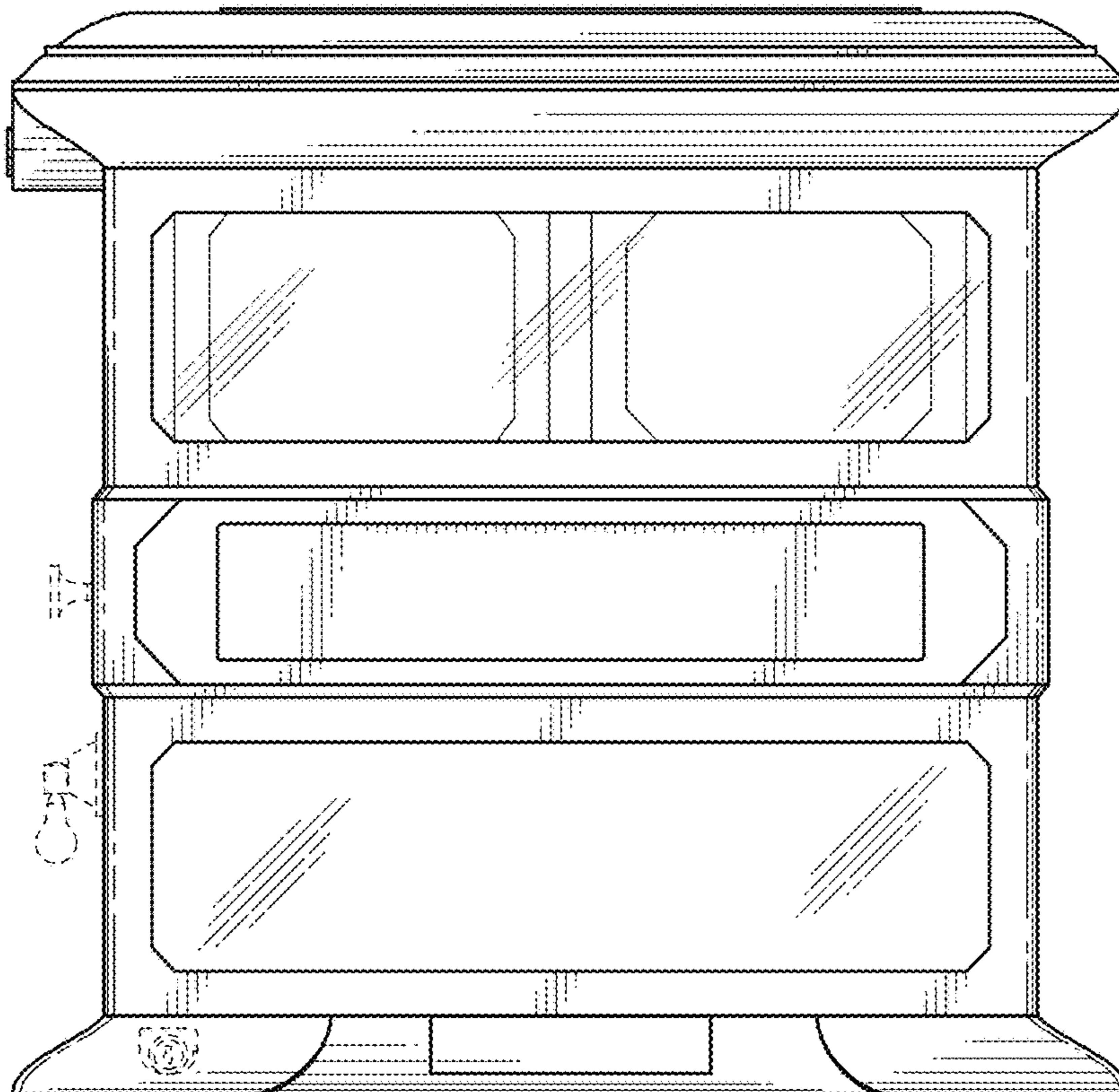


FIG. 2



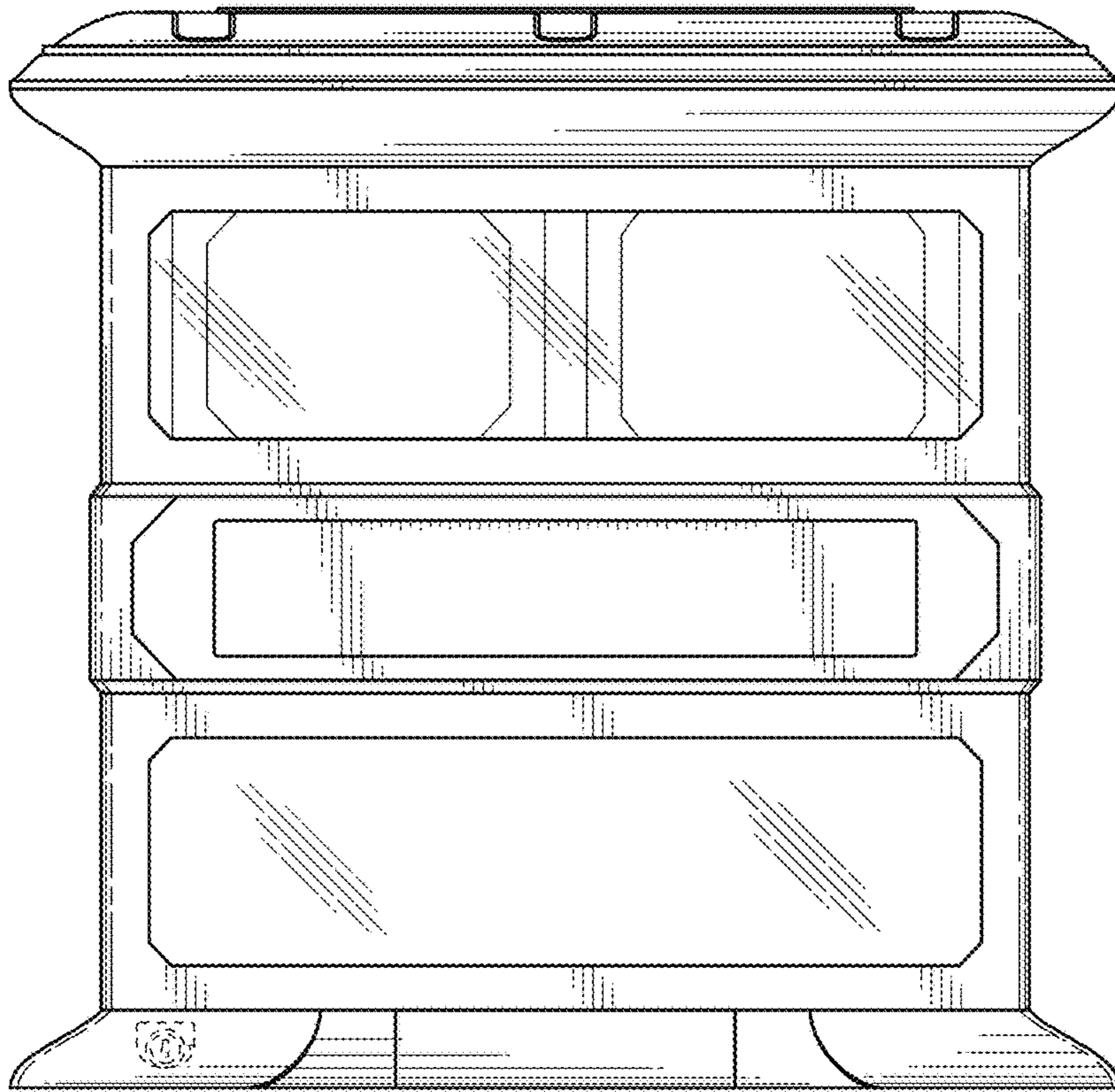


FIG. 3

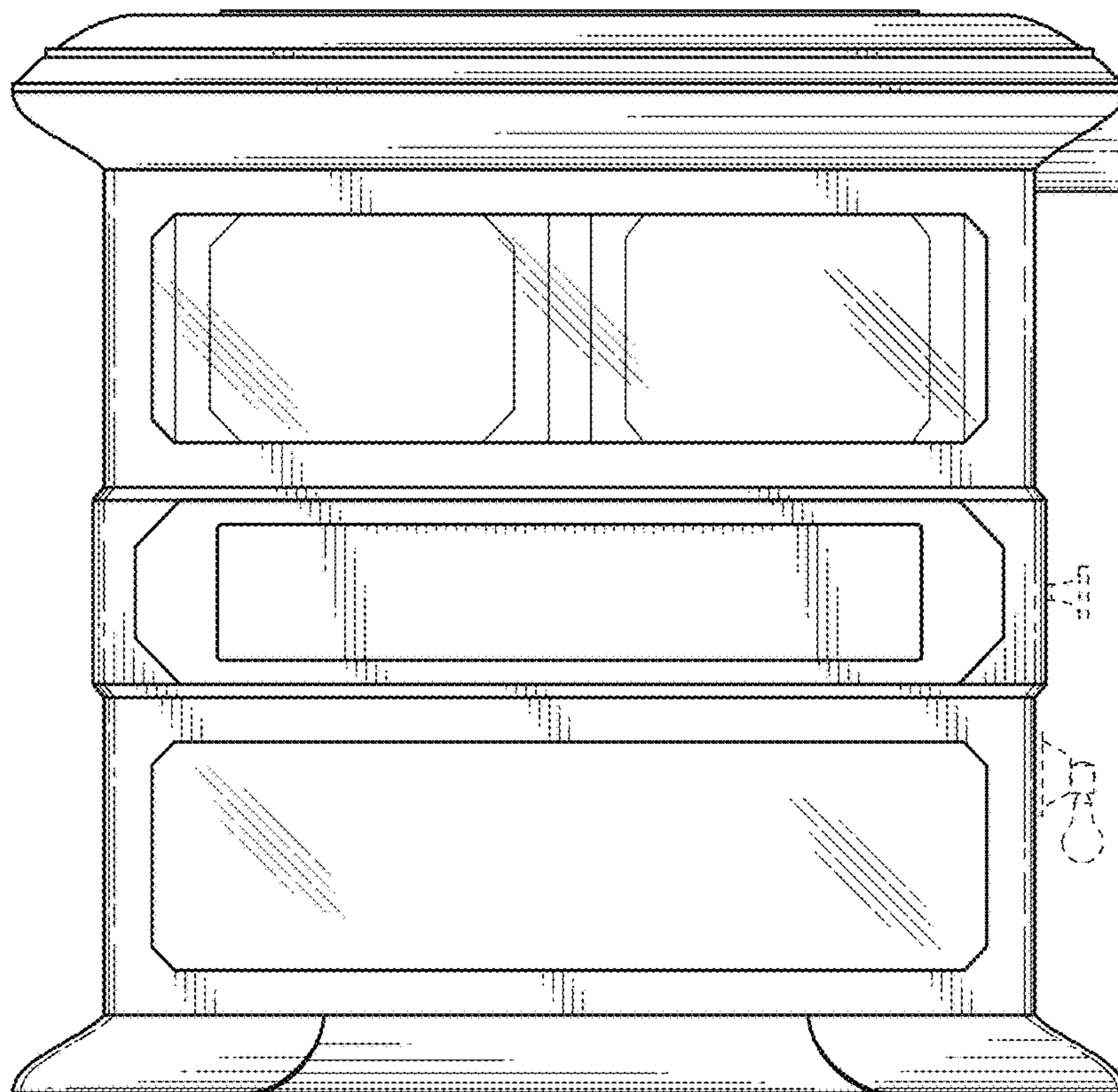


FIG. 4

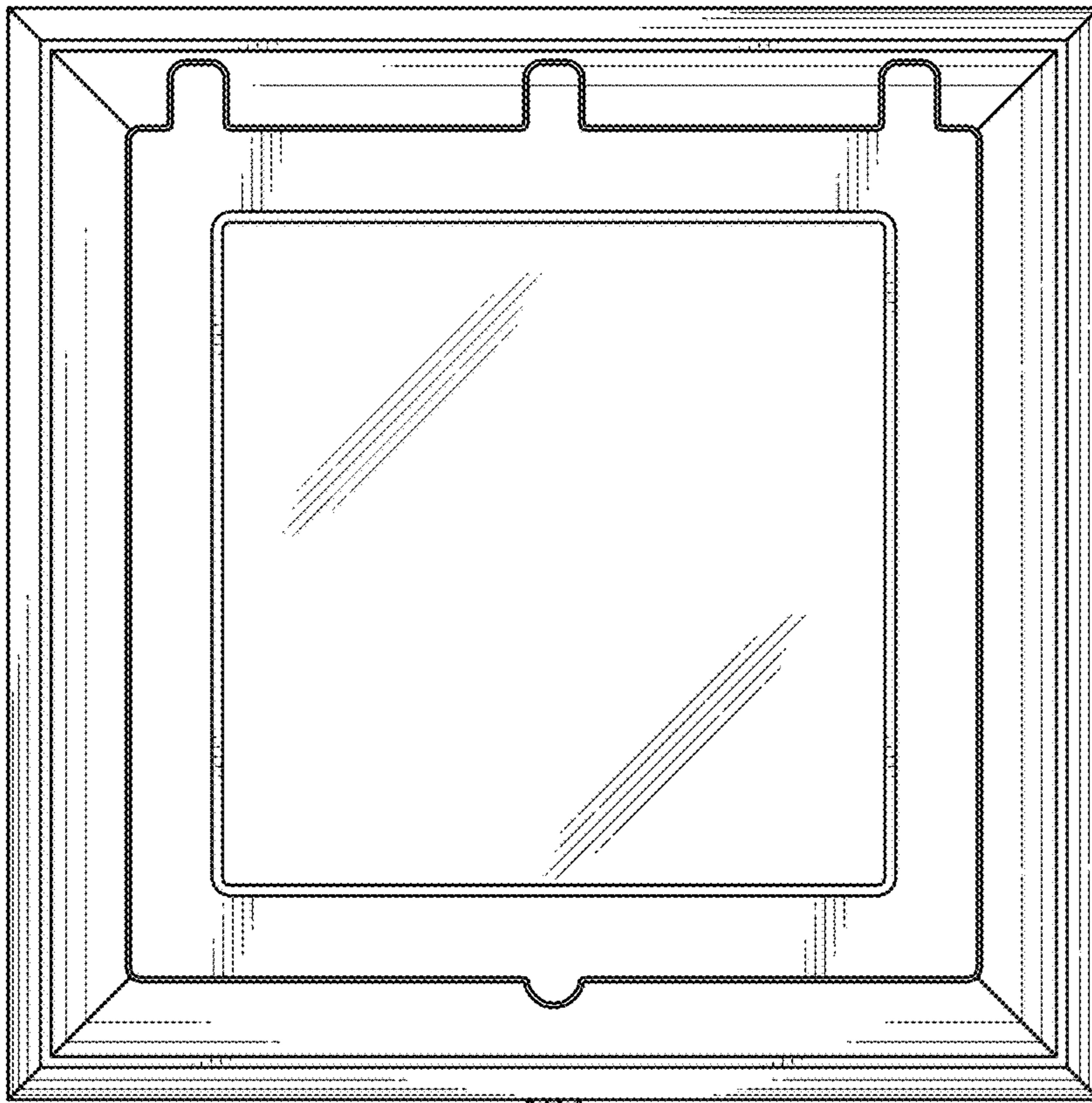


FIG. 5

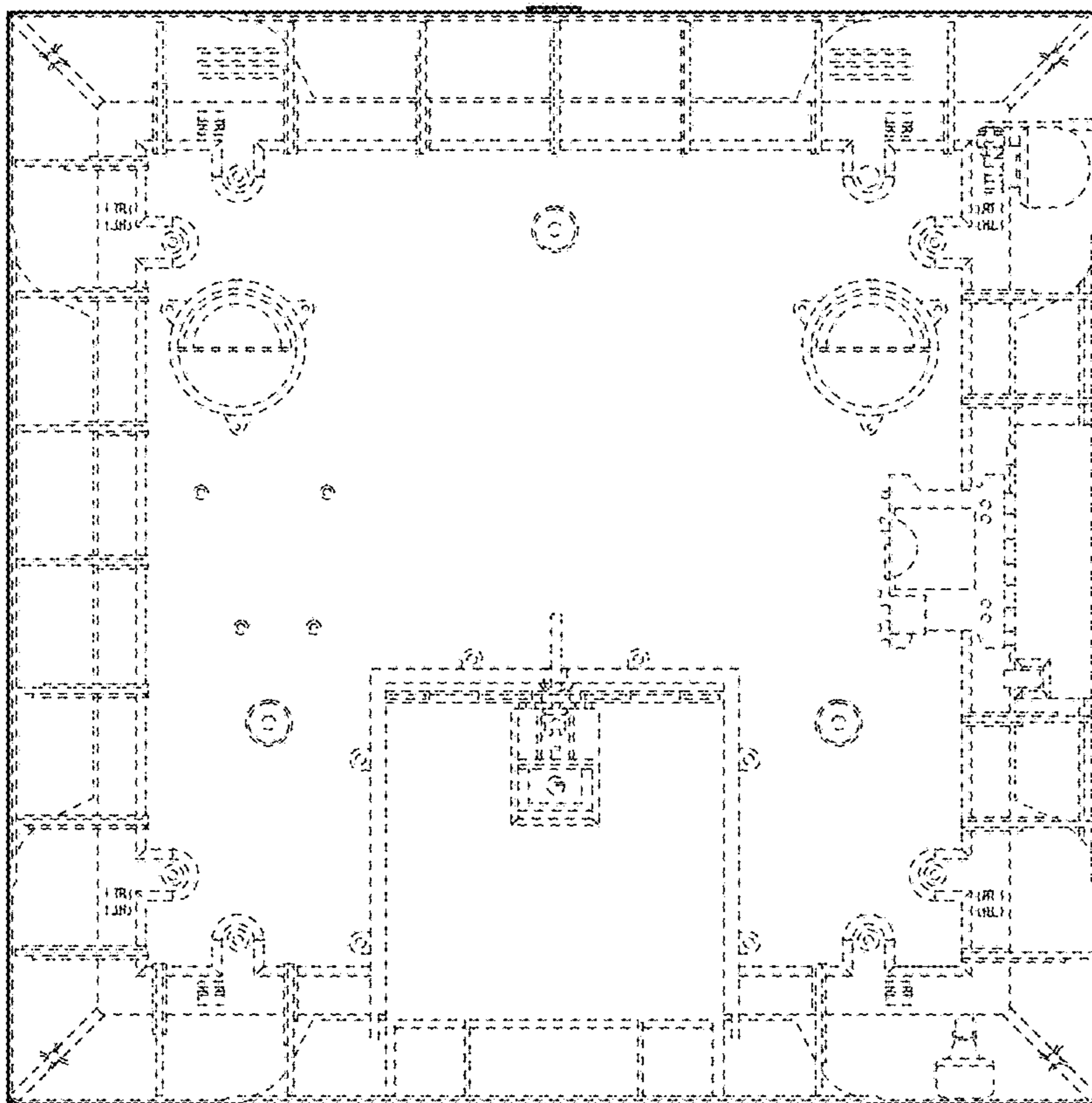


FIG. 6