



US00D785375S

(12) **United States Design Patent** (10) **Patent No.:** **US D785,375 S**
Flaherty et al. (45) **Date of Patent:** **** May 2, 2017**

(54) **DESK**
(71) Applicant: **Varidesk, LLC**, Coppell, TX (US)
(72) Inventors: **Daniel G. Flaherty**, Irving, TX (US);
David Patton, Flower Mound, TX (US)
(73) Assignee: **Varidesk, LLC**, Coppell, TX (US)
(**) Term: **14 Years**

D311,291 S 10/1990 Ugalde
D323,436 S 1/1992 Harrison
D323,437 S 1/1992 Hashimoto et al.
D342,242 S 12/1993 Hassel et al.
D344,864 S 3/1994 Leonard
D365,465 S 12/1995 Kniefel et al.
5,490,466 A 2/1996 Diffrient
D372,817 S 8/1996 Stevens
5,549,052 A 8/1996 Hoffman
D395,969 S 7/1998 Barlow-Lawson
(Continued)

(21) Appl. No.: **29/512,891**
(22) Filed: **Dec. 23, 2014**
(51) **LOC (10) Cl.** **06-03**
(52) **U.S. Cl.**
USPC **D6/647**
(58) **Field of Classification Search**
USPC D6/406.1, 641, 647, 650, 653, 656.19,
D6/683.1, 685, 688.12, 688.15, 688.24,
D6/691, 691.1, 691.3, 691.6, 696, 697,
D6/707, 707.19, 707.22
CPC A47B 1/00; A47B 13/00; A47B 13/08;
A47B 17/00; A47B 37/00; A47B 96/00;
A47B 96/18; A47B 97/00
See application file for complete search history.

(56) **References Cited**
U.S. PATENT DOCUMENTS
1,824,822 A 9/1931 Kradolfer
2,545,515 A 3/1951 Gannett et al.
D166,377 S 4/1952 Curtis et al.
3,474,743 A 10/1969 Blevins
D267,374 S 12/1982 Karson
4,515,086 A 5/1985 Kwiecinski et al.
D280,478 S 9/1985 Stephens
D286,353 S 10/1986 Robolin
D288,876 S 3/1987 Goetz et al.
4,781,126 A 11/1988 Lochridge
D303,187 S 9/1989 Mickelsen
4,926,760 A 5/1990 Sack

OTHER PUBLICATIONS

Examination Report issued Aug. 20, 2015 in Australian Patent Application No. 363053.
(Continued)

Primary Examiner — Mary Ann Calabrese
Assistant Examiner — Jennifer L Rempfer
(74) *Attorney, Agent, or Firm* — Venable LLP; Steven J. Schwarz

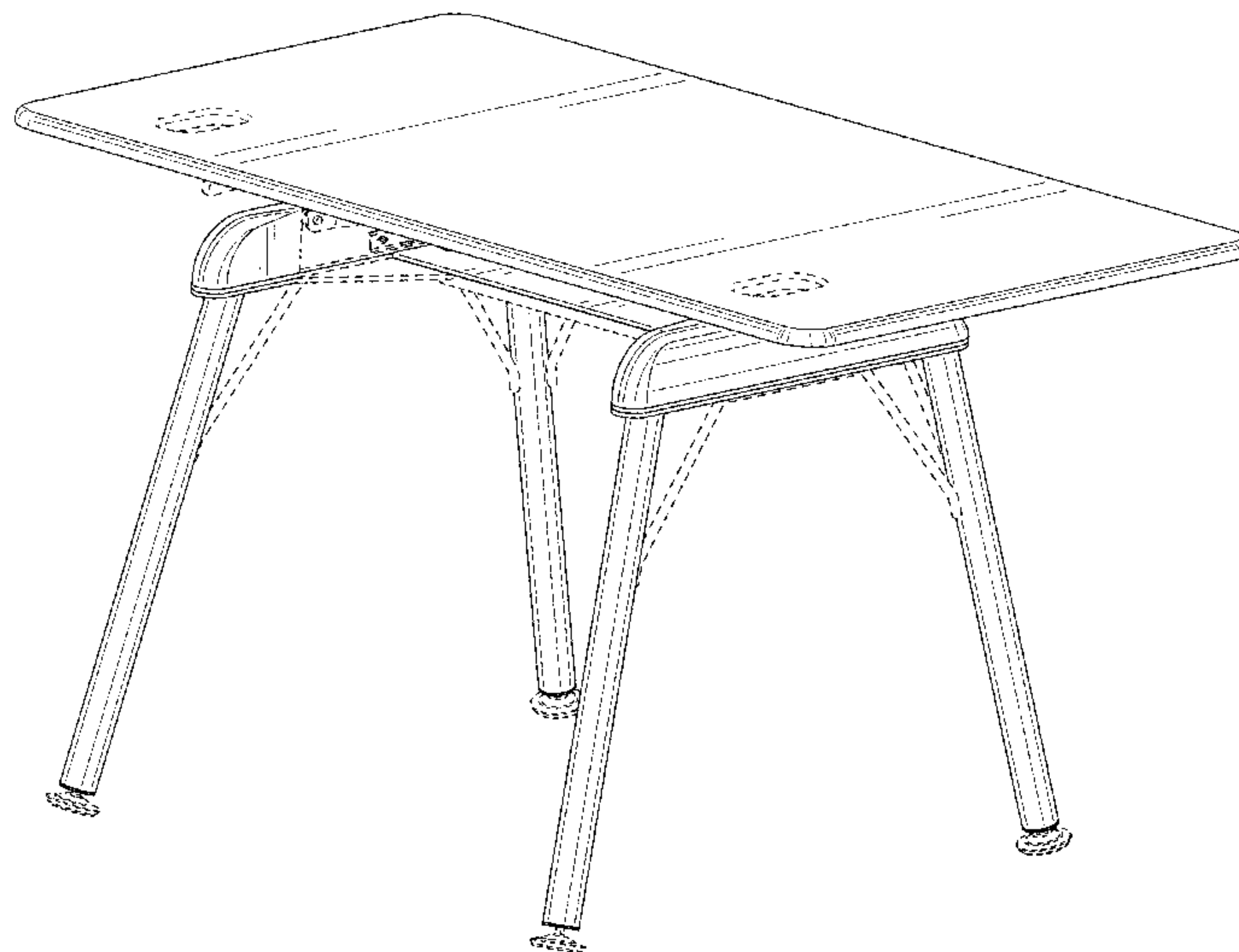
(57) **CLAIM**

The ornamental design for a desk, as shown and described.

DESCRIPTION

FIG. 1 is a front-right perspective of an embodiment of the desk according to the claimed design shown in a lowered position;
FIG. 2 is a front view of the desk of FIG. 1;
FIG. 3 is a rear view of the desk of FIG. 1;
FIG. 4 is a left side view of the desk of FIG. 1;
FIG. 5 is a right side view of the desk of FIG. 1;
FIG. 6 is a top view of the desk of FIG. 1; and,
FIG. 7 is a front-right perspective of the desk of FIG. 1 shown in a raised position.
The features shown in broken lines represent portions of the desk which form no part of the claimed design.

1 Claim, 7 Drawing Sheets



(56)

References Cited

U.S. PATENT DOCUMENTS

5,823,120 A * 10/1998 Holmquist A47B 9/02
108/145

D424,828 S 5/2000 Ko

D428,279 S 7/2000 Olson

D435,368 S 12/2000 Tzeng

D436,268 S 1/2001 Ko

D447,646 S 9/2001 Chang

D464,212 S 10/2002 Chen

D486,669 S 2/2004 Wang

D499,576 S 12/2004 Long

D530,939 S 10/2006 Nakamura

7,201,108 B2 4/2007 Eusebi et al.

D583,587 S 12/2008 Lai

D586,155 S 2/2009 Lenterman

7,594,475 B1 9/2009 Huang

D602,290 S 10/2009 Erickson et al.

7,654,208 B2 2/2010 Patten

D612,643 S 3/2010 Rossini et al.

8,065,966 B1 * 11/2011 Bacon A47B 9/16
108/145

D652,229 S 1/2012 Madison

D681,979 S 5/2013 Keen et al.

D691,223 S 10/2013 Hao

8,671,853 B2 3/2014 Flaherty

D716,074 S 10/2014 Kitajima

D730,668 S 6/2015 Fletcher

D733,476 S 7/2015 Papic et al.

D734,413 S 7/2015 Bettin et al.

9,113,703 B2 8/2015 Flaherty

2003/0116066 A1 6/2003 Ken

2003/0140822 A1 * 7/2003 Seiler A47B 21/00
108/6

2003/0230222 A1 12/2003 Liu

2004/0040480 A1 3/2004 Hwang

2005/0039643 A1 2/2005 Dailey

2005/0045072 A1 3/2005 Rossini

2005/0284341 A1 12/2005 Klassy et al.

2006/0096505 A1 5/2006 Sykes

2007/0163475 A1 7/2007 Murphy

2008/0072803 A1 3/2008 Korber et al.

2008/0149000 A1 6/2008 Normand et al.

2008/0203865 A1 8/2008 Chouinard et al.

2010/0031855 A1 2/2010 Zhu

2011/0247532 A1 10/2011 Jones

2013/0139736 A1 6/2013 Flaherty

2013/0167757 A1 7/2013 Tsai et al.

2013/0340655 A1 12/2013 Flaherty

2014/0020606 A1 * 1/2014 Benden A47B 13/00
108/50.14

2014/0048671 A1 2/2014 Tsai

2014/0123883 A1 * 5/2014 Jennings A47B 21/02
108/96

2014/0158026 A1 6/2014 Flaherty

2015/0272316 A1 10/2015 Flaherty

2015/0289641 A1 10/2015 Ergun et al.

2015/0296976 A1 * 10/2015 Janowski G06F 1/16
108/43

2016/0037907 A1 2/2016 Ergun et al.

2016/0073779 A1 * 3/2016 Ringlein A47B 87/002
108/28

OTHER PUBLICATIONS

The ‘Desktop Riser’, published on *YouTube* at: <https://www.youtube.com/watch?v=WB0el5rQvio> on Oct. 9, 2014.

The ‘Desktop Riser’, published on *Twitter* at <https://twitter.com/pookimum> on Nov. 12, 2014.

The ‘Desktop Riser’, published on <http://standingdeskgeek.com/varidesk-pro-plus-review/> Internet site on Nov. 20, 2014.

Examination Report issued Oct. 14, 2015 in Australian Design Registration No. 363977.

“Pro Plus 48 Height-Adjustable Standing Desk Animation Video”, published on *YouTube* at: <https://www.youtube.com/watch?v=XKrVByT6pq8> on Oct. 31, 2014.

“Varidesk Pro Plus 48 Standing Desk”, published on *YouTube* at: <https://www.youtube.com/watch?v=YLOwdR51XfA> on Nov. 7, 2014.

“Varidesk Pro Plus 48 is massive”, published on *Twitter* at: <https://twitter.com/johnbristowe/status/545773679653552129> on Dec. 18, 2014.

“Varidesk Pro Plus 48”, published on *YouTube* at: <https://www.youtube.com/watch?v=UNpGsnQPxAA> on Dec. 22, 2014.

Office Action issued Aug. 5, 2016 in Design U.S. Appl. No. 29/512,890.

Notice of Allowance issued Aug. 5, 2016 in Design U.S. Appl. No. 29/512,918.

Notice of Allowance issued Aug. 8, 2016 in Design U.S. Appl. No. 29/512,877.

Notice of Allowance issued Nov. 3, 2016 in Design U.S. Appl. No. 29/512,873.

Notice of Allowance issued Nov. 8, 2016 in Design U.S. Appl. No. 29/512,858.

* cited by examiner

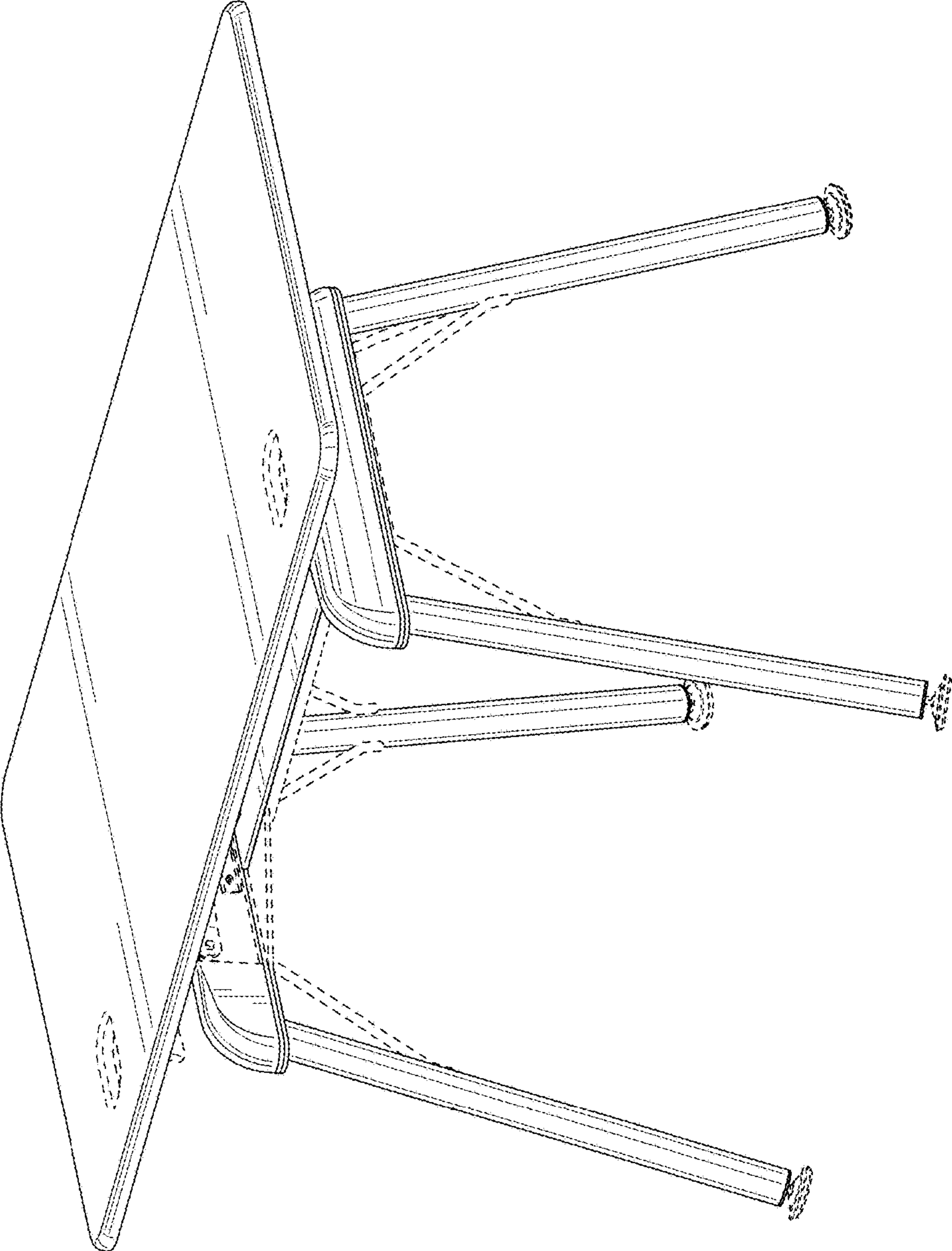


FIG. 1

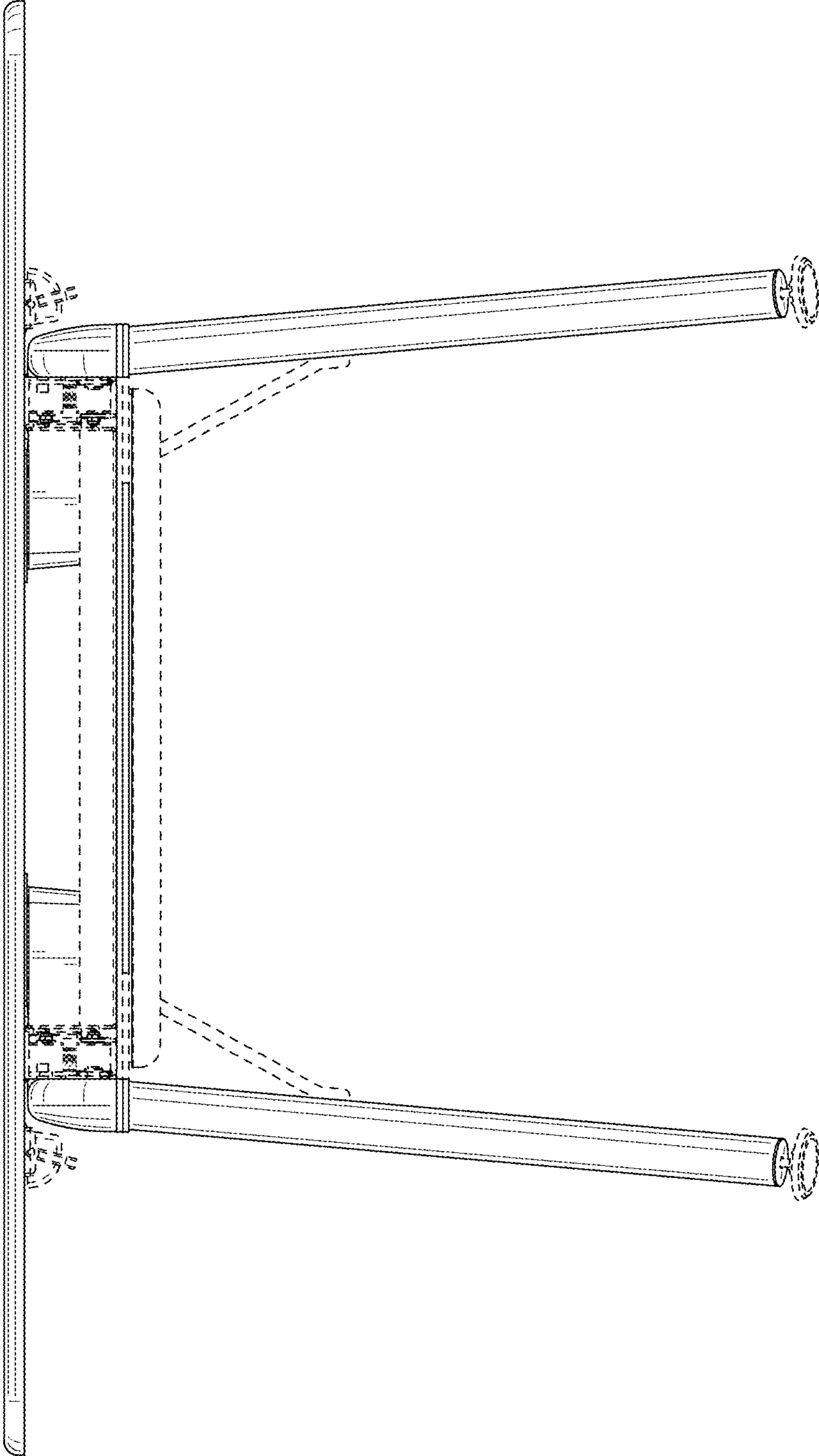


FIG. 2

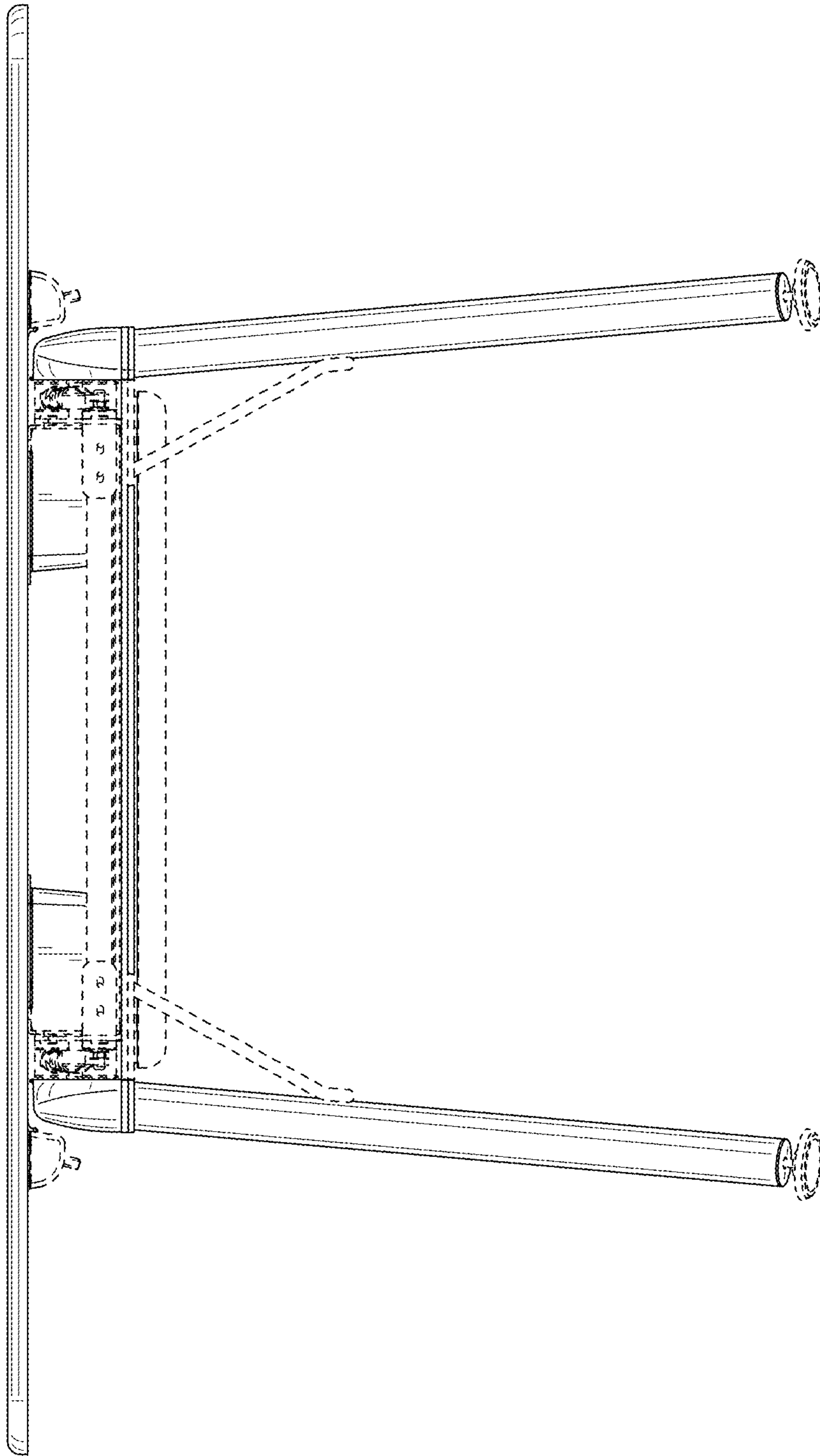


FIG. 3

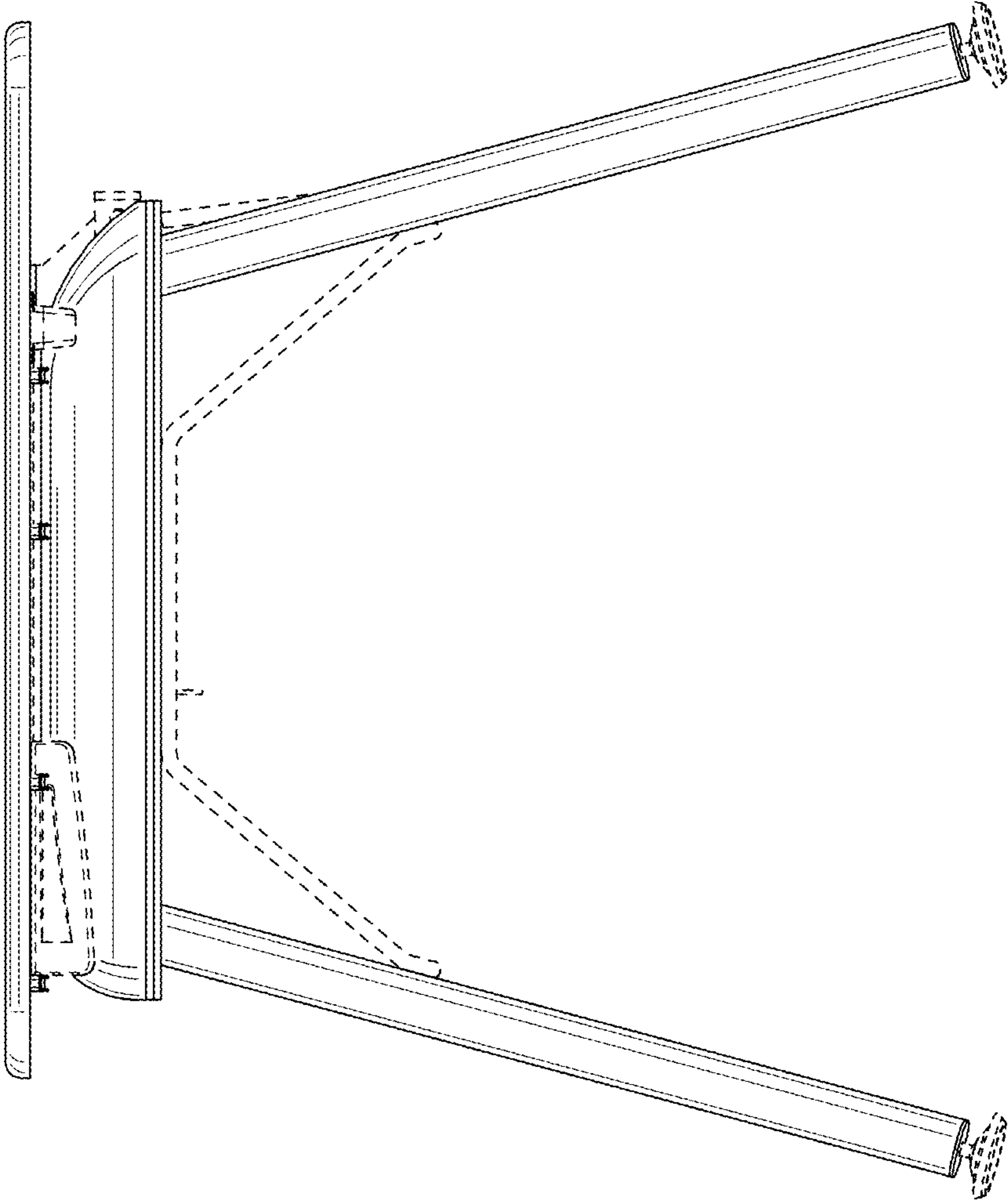


FIG. 4

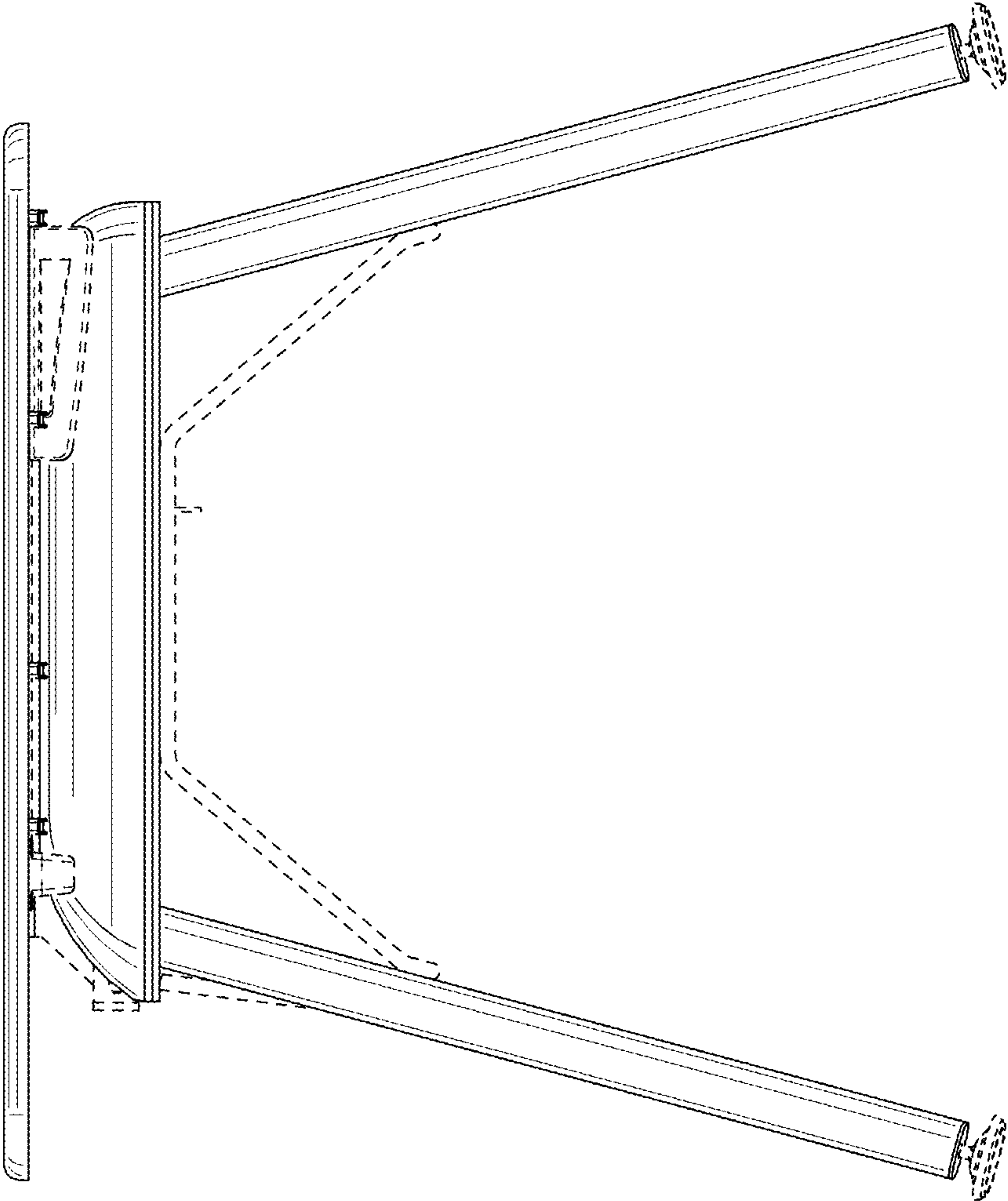


FIG. 5

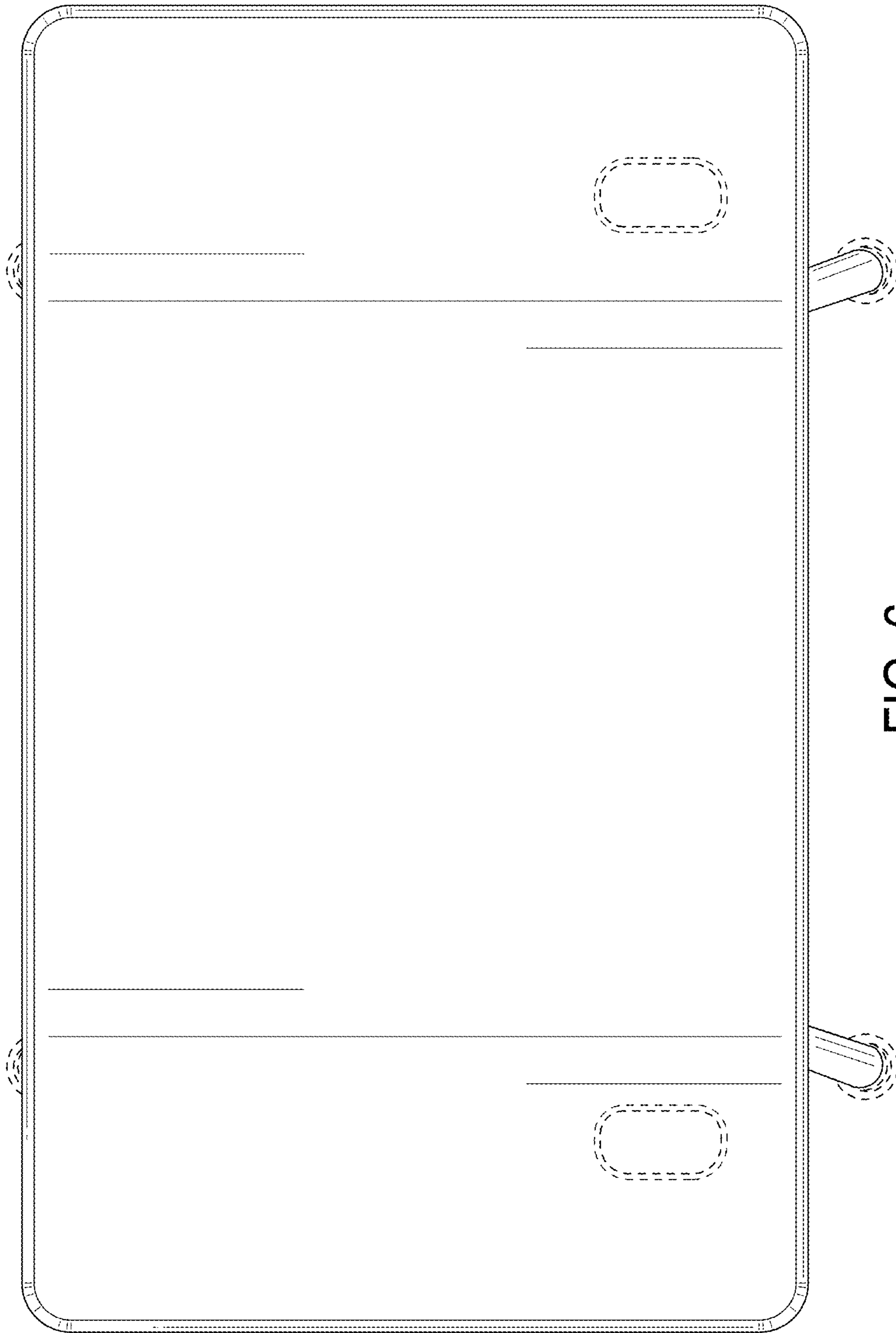


FIG. 6

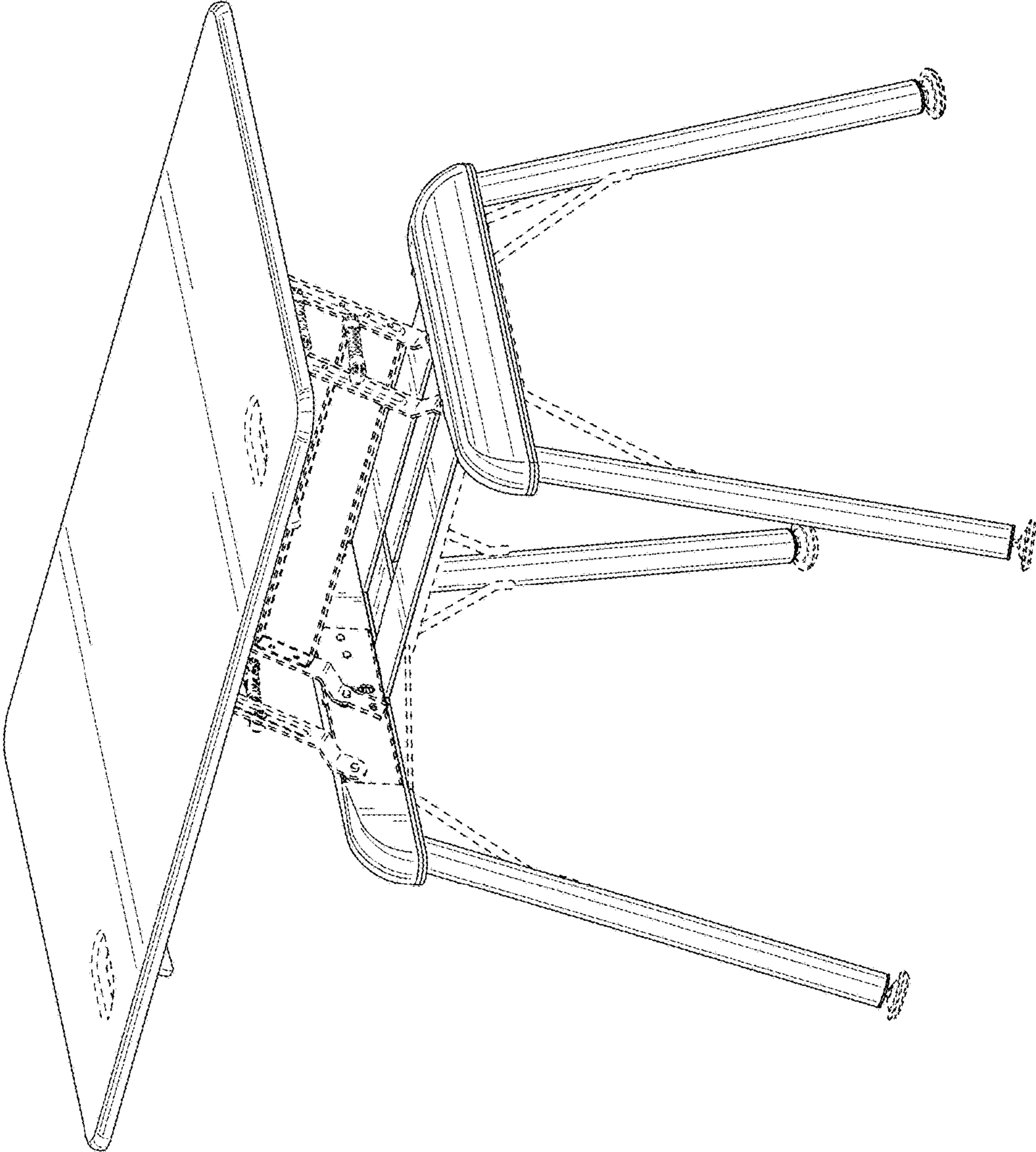


FIG. 7