



US00D785374S

(12) **United States Design Patent**  
**Holbrook**

(10) **Patent No.:** **US D785,374 S**

(45) **Date of Patent:** **\*\* May 2, 2017**

- (54) **COLLABORATIVE WORKSPACE**
- (71) Applicant: **Prospect Furniture LLC**, Pasadena, CA (US)
- (72) Inventor: **Richard Holbrook**, Pasadena, CA (US)
- (73) Assignee: **Prospect Furniture LLC**, Pasadena, CA (US)

D452,559 S \* 12/2001 Schonberger ..... D23/406  
 6,481,678 B1 11/2002 Chong  
 D481,546 S \* 11/2003 Dowd ..... D6/332  
 D513,564 S \* 1/2006 Nobles ..... D6/332

(Continued)

(\*\*) Term: **15 Years**

(21) Appl. No.: **29/574,409**

(22) Filed: **Aug. 15, 2016**

(51) **LOC (10) Cl.** ..... **06-04**

(52) **U.S. Cl.**  
USPC ..... **D6/643**

(58) **Field of Classification Search**  
 USPC ..... D6/332, 641, 643, 643.1, 644, 714;  
 D25/58  
 CPC ..... A47B 2200/01; A47B 2200/0066; A47B  
 2200/0071; A47B 96/04; A47B 96/20  
 See application file for complete search history.

(56) **References Cited**

**U.S. PATENT DOCUMENTS**

- 2,060,817 A \* 11/1936 Mahoney ..... G03B 21/606  
160/352
- D304,529 S \* 11/1989 Hontz ..... D6/332
- 5,058,331 A 10/1991 Epps
- D332,188 S 1/1993 Brodbeck
- 5,253,595 A 10/1993 Heidmann
- D353,946 S \* 1/1995 Fischer ..... D25/58
- 5,406,760 A 4/1995 Edwards
- 5,592,794 A 1/1997 Tundaun
- D394,963 S \* 6/1998 Gongora ..... D6/643
- 6,098,358 A 8/2000 Waalkes
- D440,433 S \* 4/2001 Heiny ..... D6/675.1
- 6,240,687 B1 6/2001 Chong
- 6,272,795 B1 8/2001 Brauning
- D449,169 S \* 10/2001 Bennie ..... D6/332

**FOREIGN PATENT DOCUMENTS**

EP 0551186 1/1993

**OTHER PUBLICATIONS**

orangebox.com, Apr. 7, 2016, Internet printout: [http://www.orangebox.com/product\\_range/pods\\_and\\_screens](http://www.orangebox.com/product_range/pods_and_screens).

(Continued)

*Primary Examiner* — Mary Ann Calabrese

(74) *Attorney, Agent, or Firm* — Todd R. Miller; Vested Law LLP

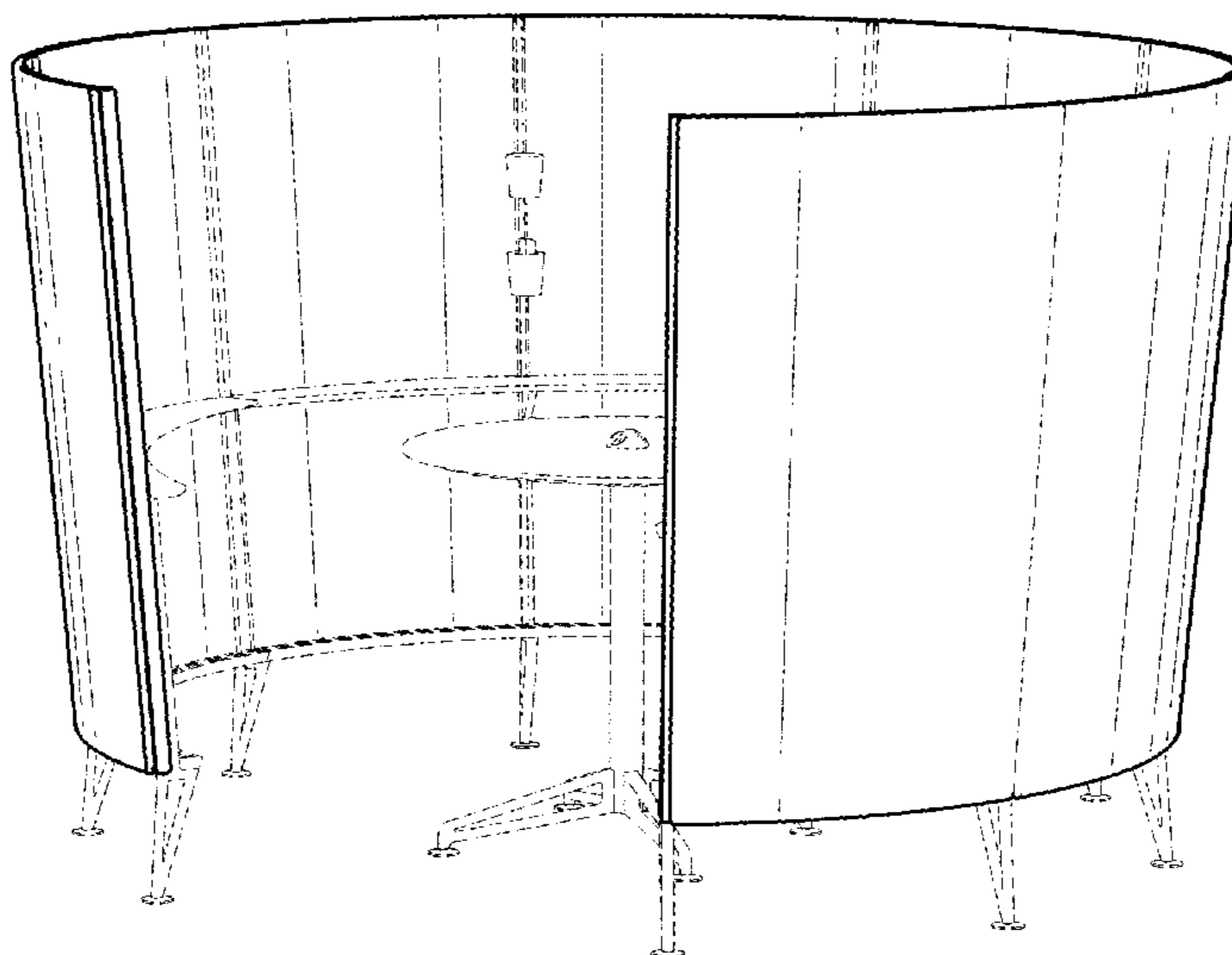
(57) **CLAIM**

The ornamental design for a collaborative workspace, as shown and described.

**DESCRIPTION**

FIG. 1 is a perspective view embodying the inventive design;  
 FIG. 2 is a front view thereof;  
 FIG. 3 is a left view thereof;  
 FIG. 4 is a rear view thereof;  
 FIG. 5 is a top view thereof;  
 FIG. 6 is a bottom view thereof;  
 FIG. 7 is a perspective view of a second embodiment of the inventive design;  
 FIG. 8 is a front view of FIG. 7;  
 FIG. 9 is a left view of FIG. 7;  
 FIG. 10 is a rear view of FIG. 7;  
 FIG. 11 is a top view of FIG. 7; and,  
 FIG. 12 is a bottom view of FIG. 7.  
 The broken lines are directed to environment and form no part of the claimed design.

**1 Claim, 12 Drawing Sheets**



(56)

References Cited

U.S. PATENT DOCUMENTS

D520,263	S *	5/2006	Nobles .....	D6/332
D527,917	S *	9/2006	McHugh .....	D6/332
D603,185	S	11/2009	Bockheim	
D651,416	S	1/2012	Martin	
D659,428	S *	5/2012	Nicolas .....	D6/644
D728,947	S	5/2015	Schweikarth	
D740,039	S *	10/2015	Bouroullec .....	D6/335
D740,784	S *	10/2015	O'Polka .....	D14/204
D743,189	S	11/2015	Hecht	
9,403,400	B2 *	8/2016	McManus .....	A47B 97/04
2002/0179558	A1	12/2002	Venegas	
2003/0041529	A1 *	3/2003	Grandin .....	A47F 9/00 52/36.1
2003/0205010	A1	11/2003	Anglin	
2007/0175131	A1	8/2007	Mueller	
2008/0134601	A1	6/2008	Cruz	

OTHER PUBLICATIONS

buzzi.space, Apr. 7, 2016, Internet printout: <http://buzzi.space/buzziville/>.

bene.com, Apr. 7, 2016, Internet printout: <http://bene.com/en/docklands-pearsonlloyd/>.

frameryacoustics.com, Apr. 7, 2016, Internet printout: <http://www.frameryacoustics.com/en/home/>.

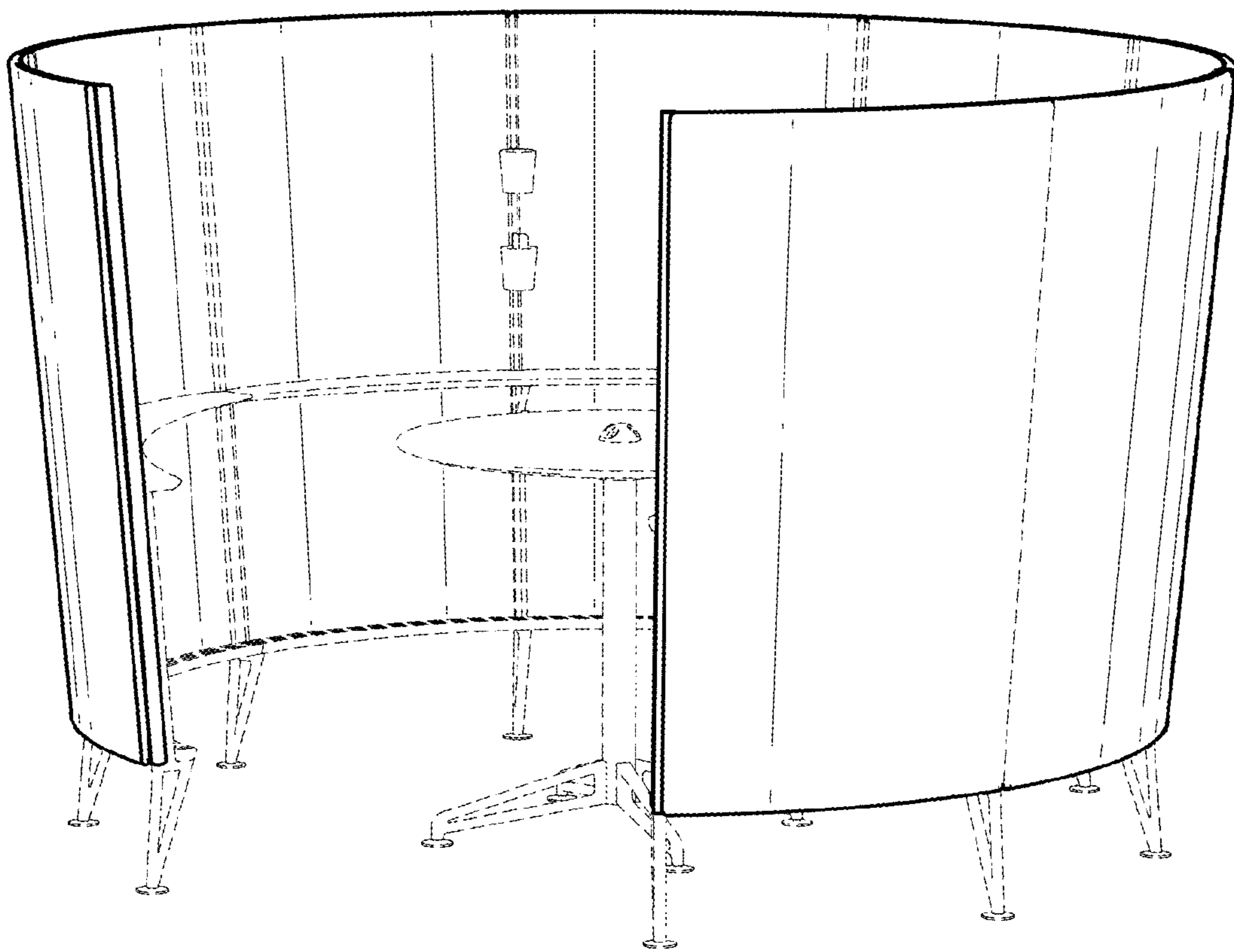
hermanmiller.com, Apr. 7, 2016, Internet printout: [http://www.hermanmiller.com/global/en\\_apc/products/workspaces/collaborative-furniture/kivo.html](http://www.hermanmiller.com/global/en_apc/products/workspaces/collaborative-furniture/kivo.html).

nomadflexiblefurniture.com, Apr. 7, 2016, Internet printout: [http://www.nomadflexiblefurniture.com/hive\\_web/collaboration.html](http://www.nomadflexiblefurniture.com/hive_web/collaboration.html).

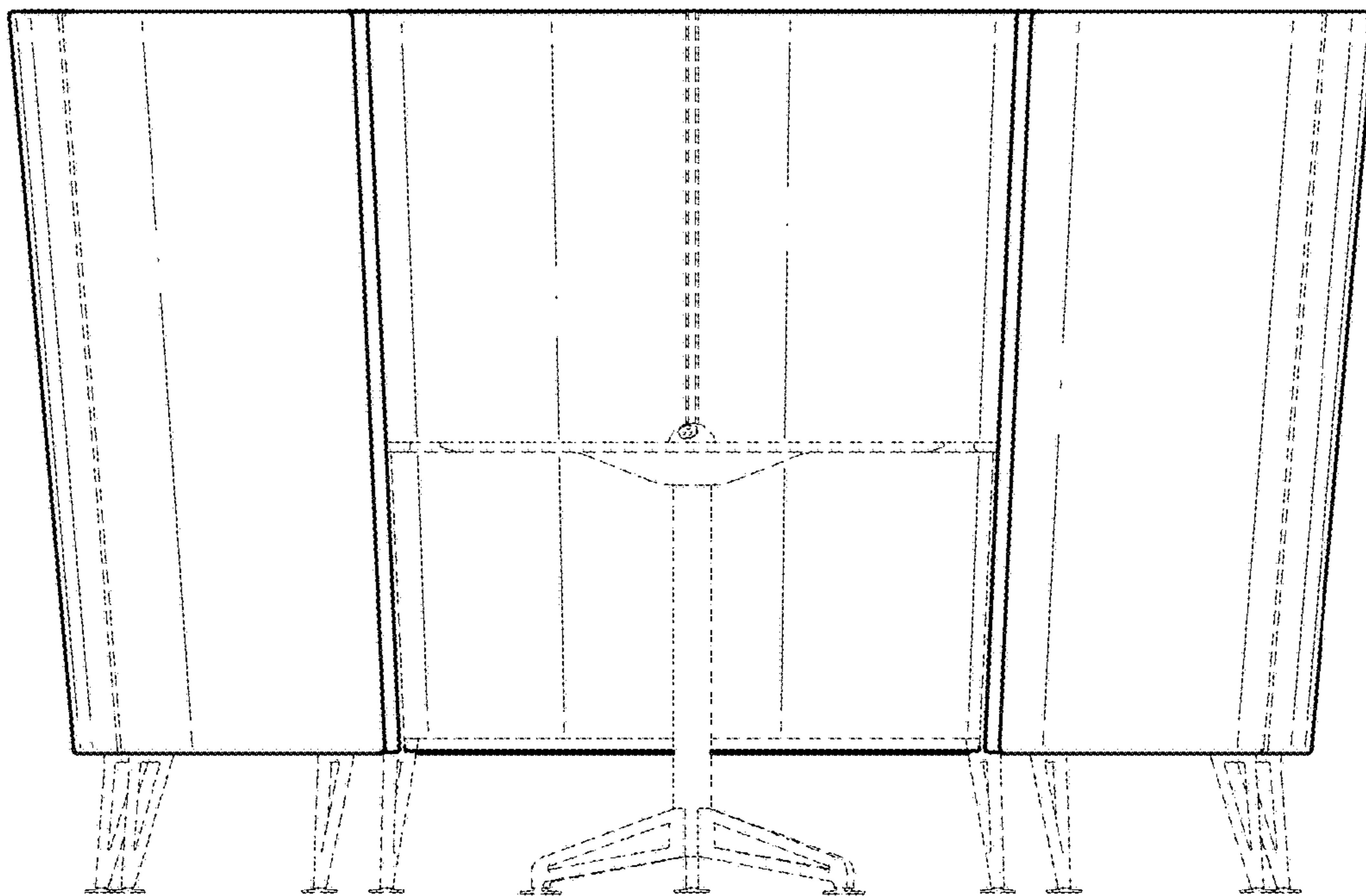
vitra.com, Apr. 7, 2016, Internet printout: <https://www.vitra.com/en-us/product/workbays?subfam.id=207226>.

haworth.com, Apr. 7, 2016, Internet printout: <http://www.haworth.com/home/workspaces/collaborative/openest>.

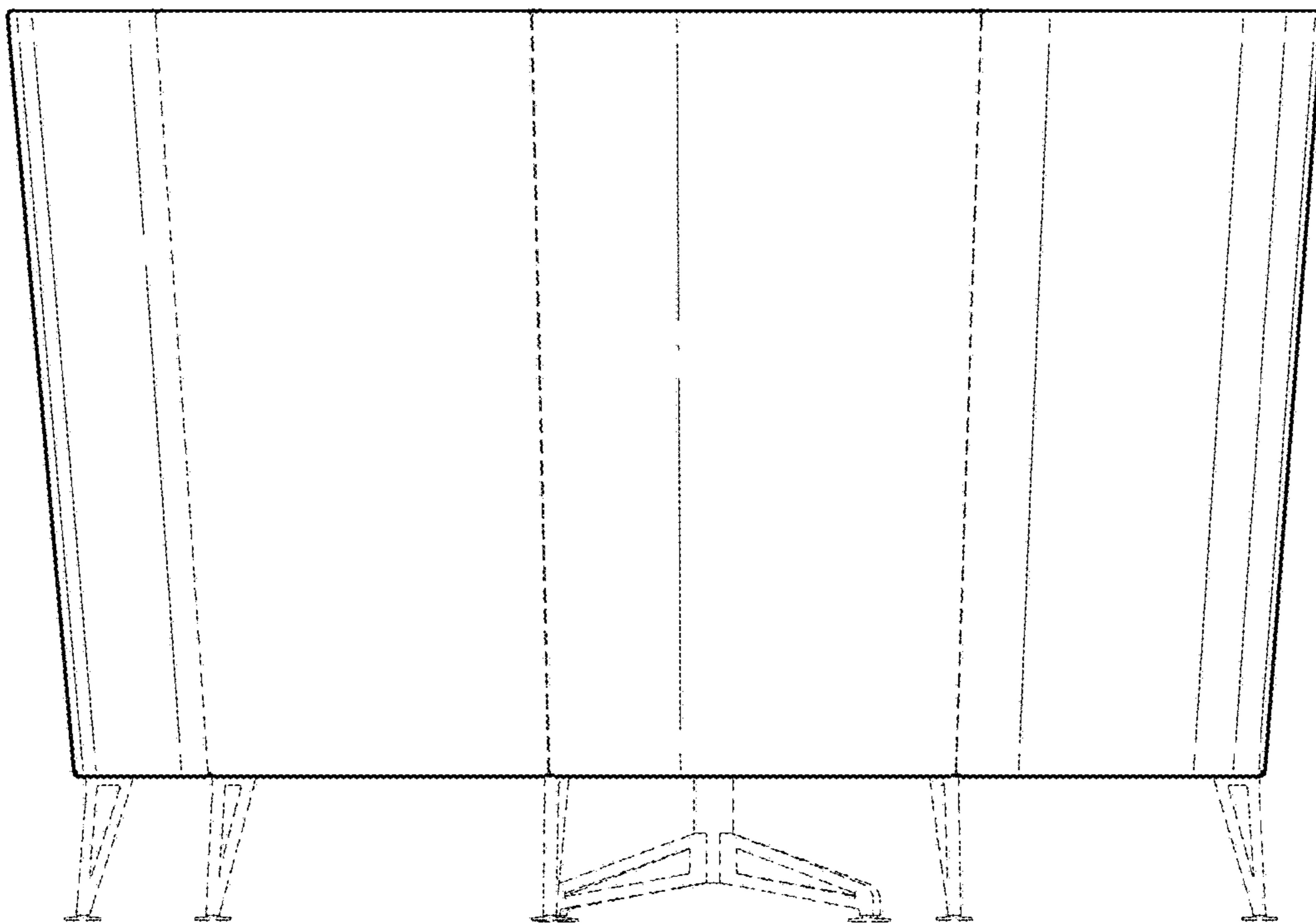
\* cited by examiner



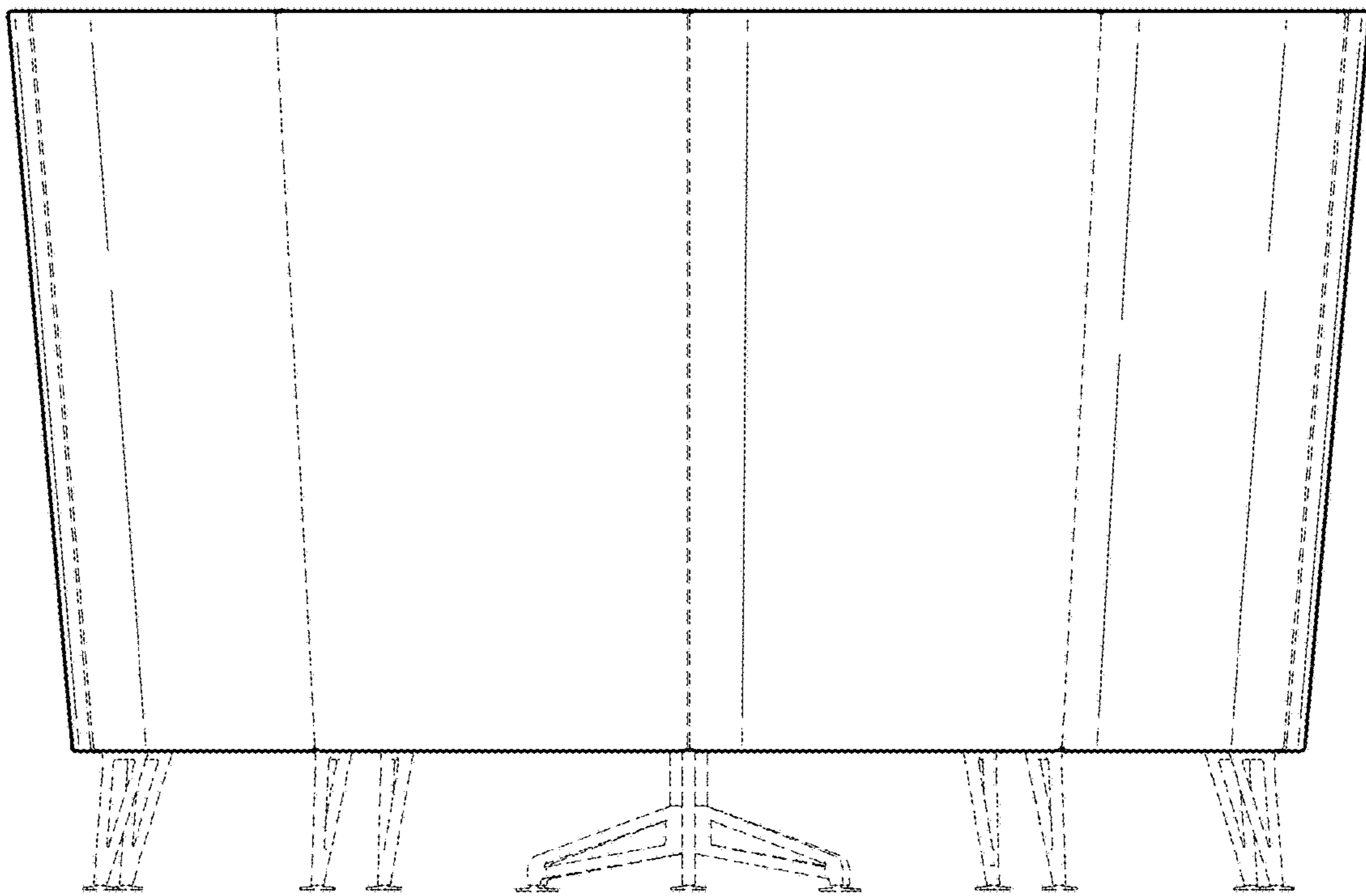
**FIG. 1**



**FIG. 2**

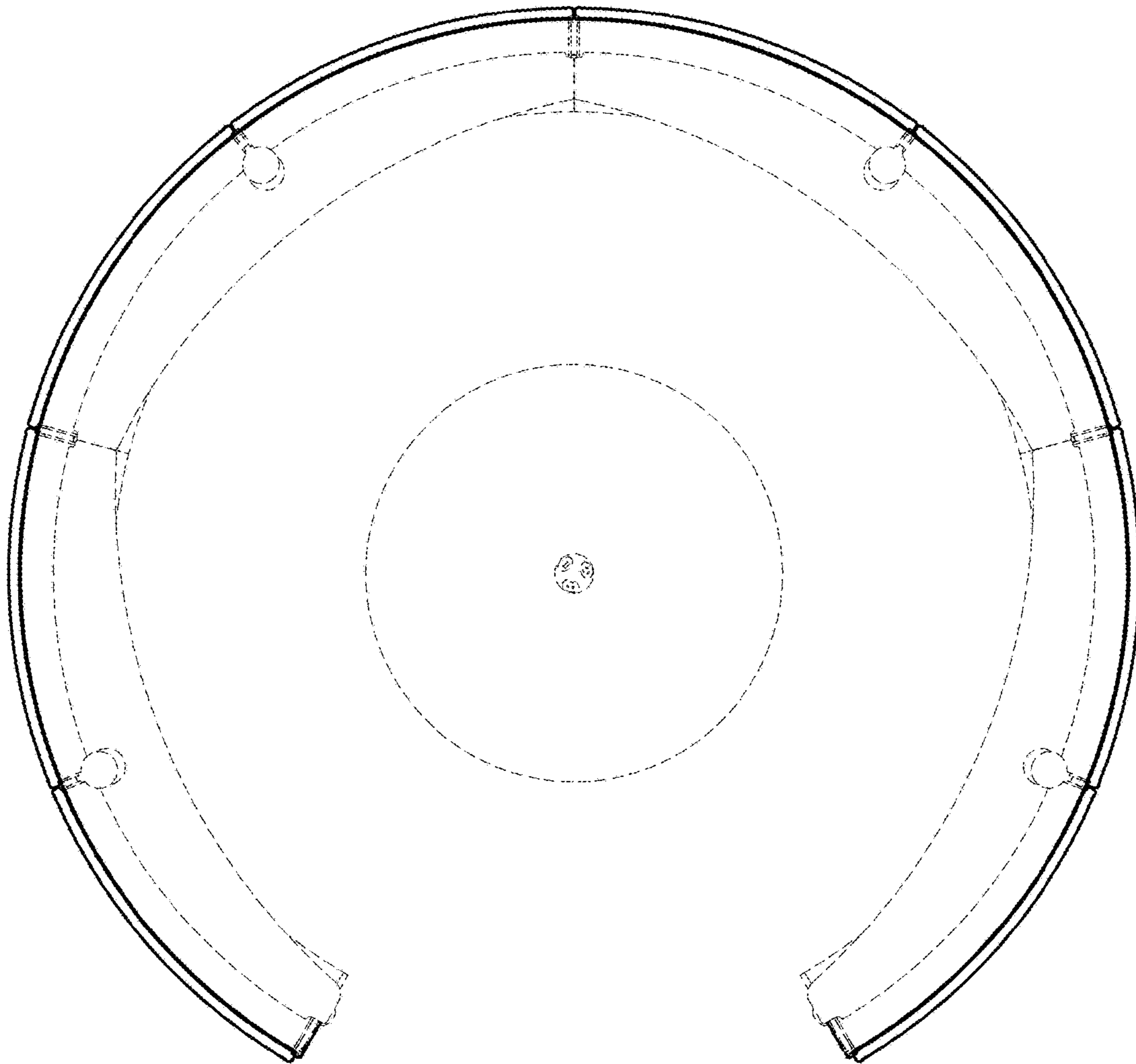


**FIG. 3**



**FIG. 4**





**FIG. 5**

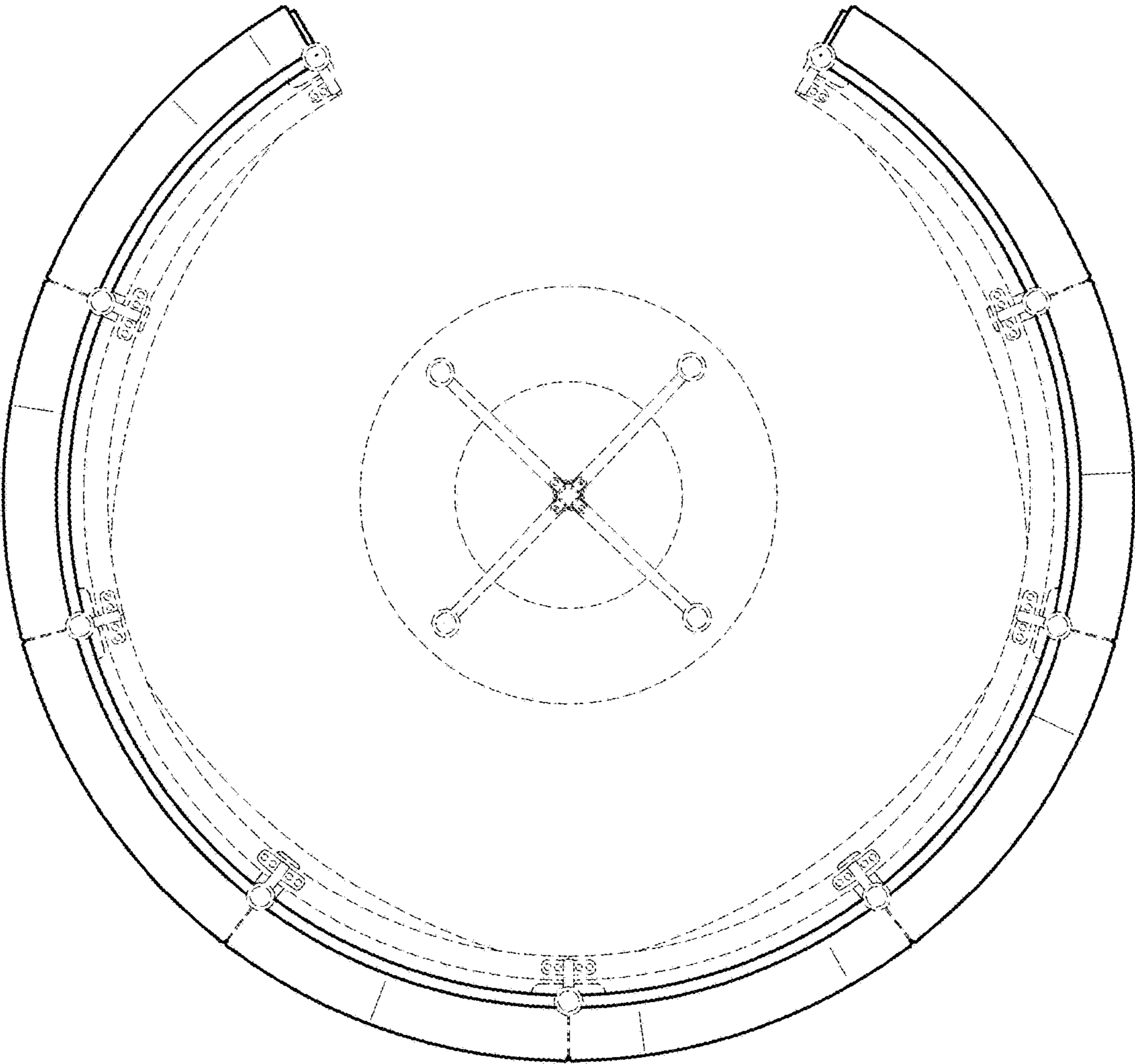
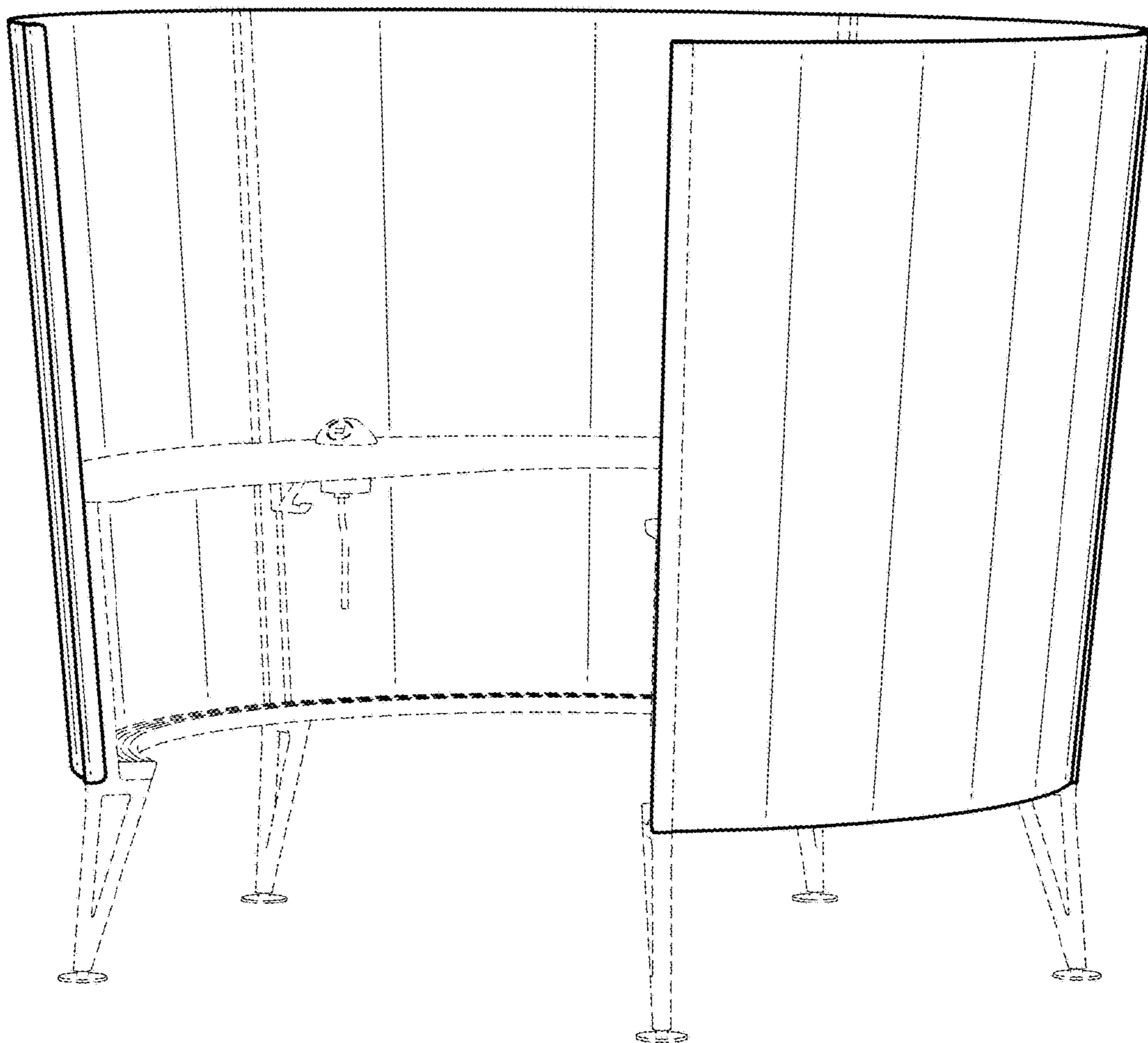
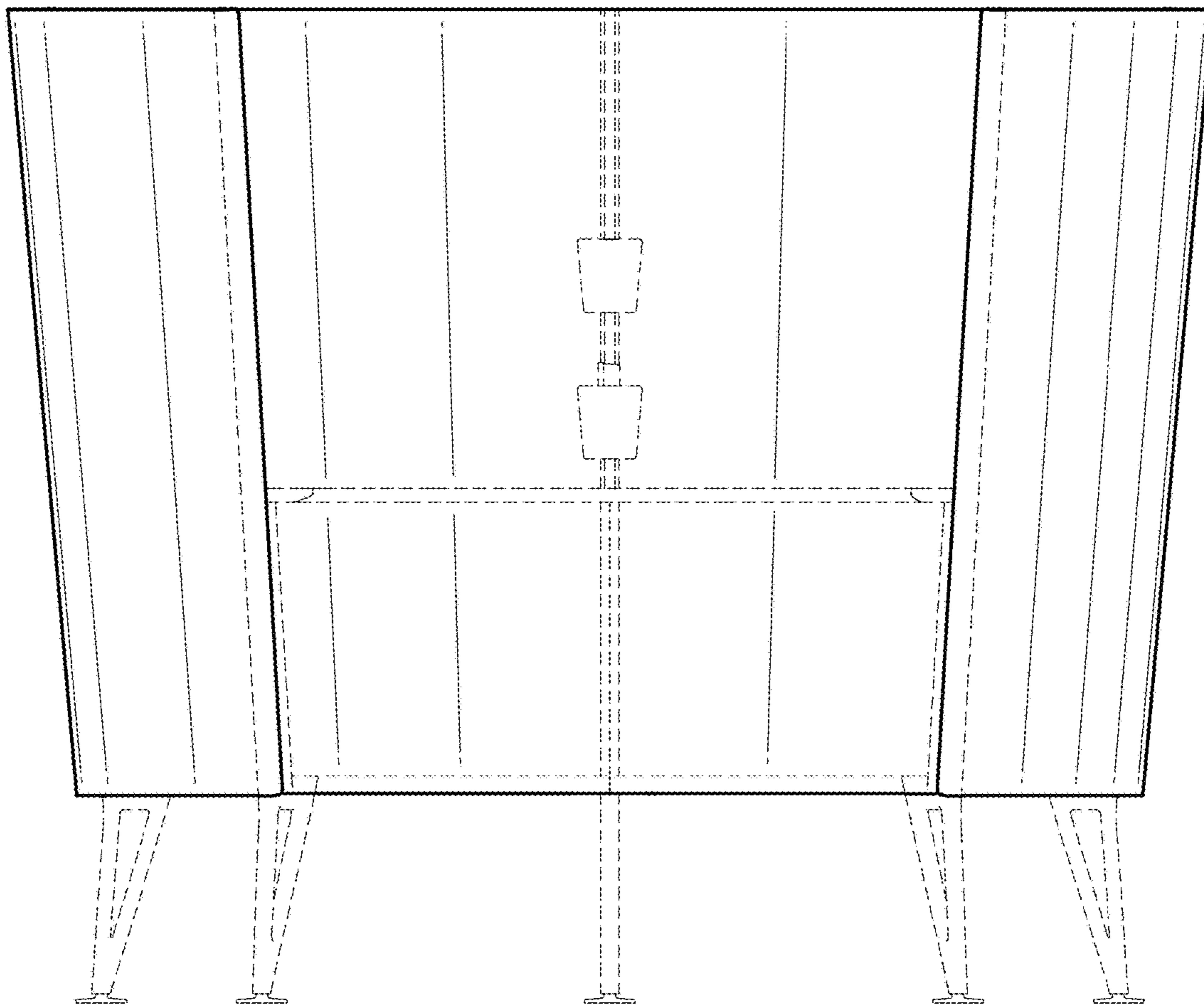


FIG. 6

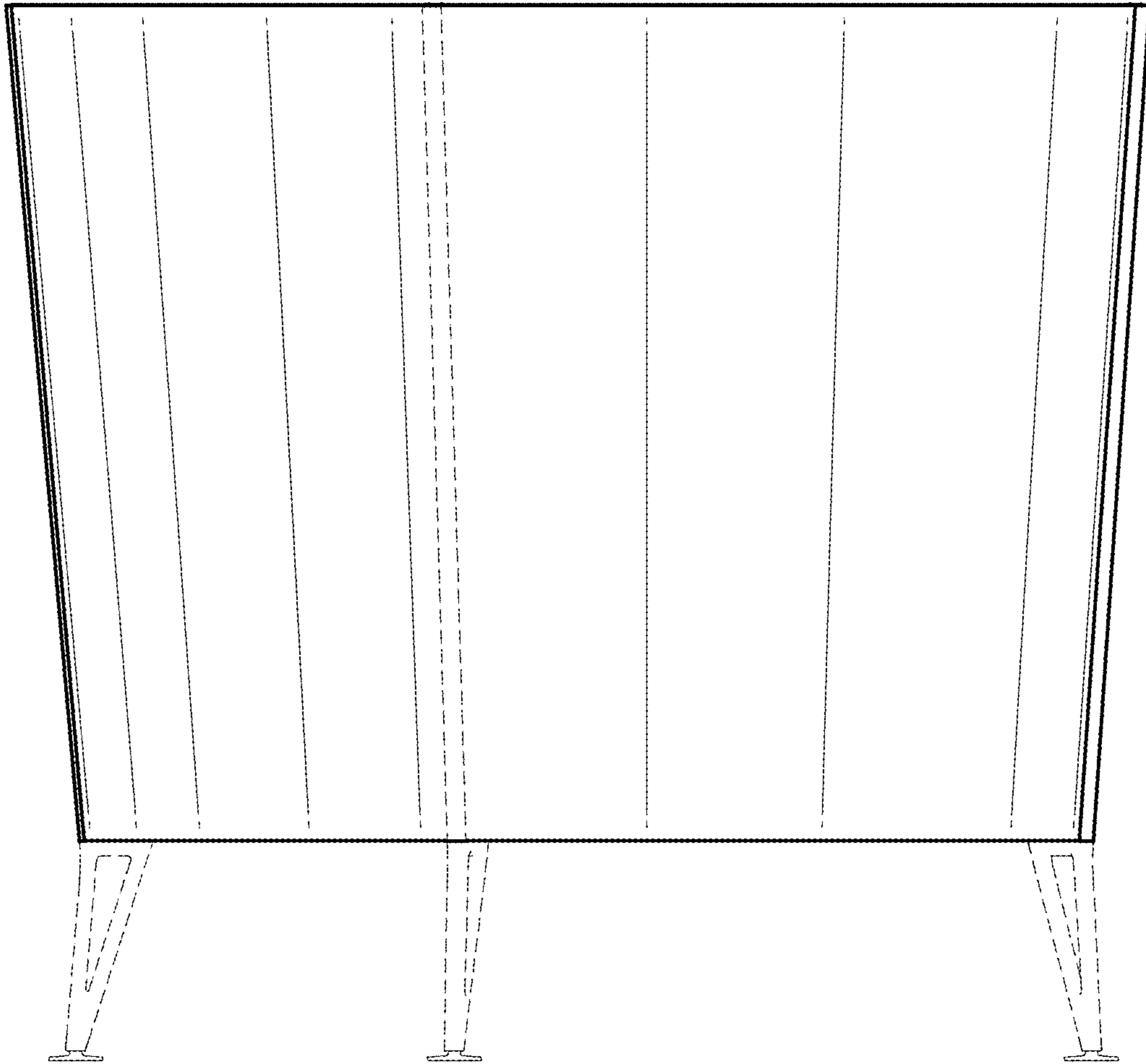




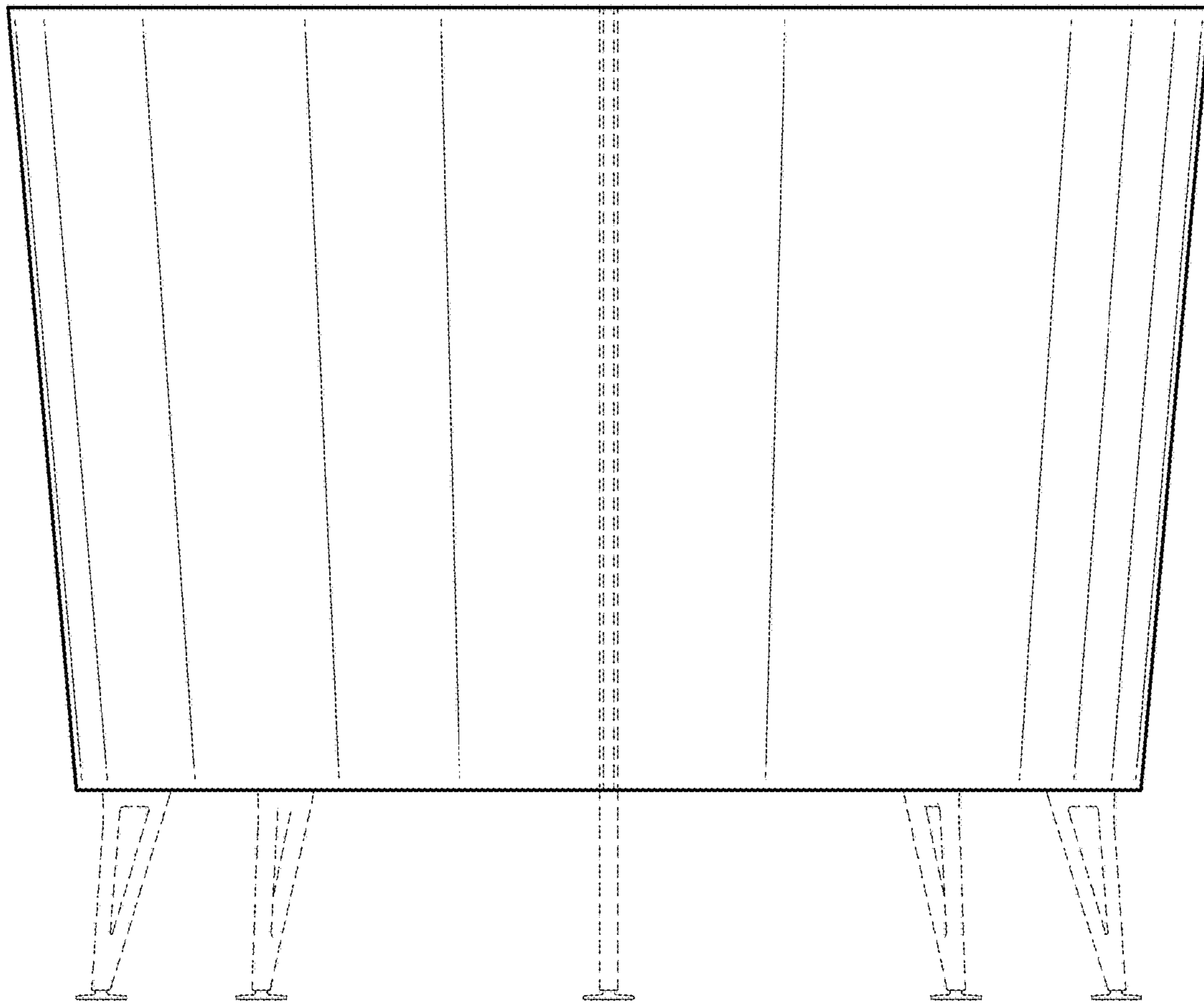
**FIG. 7**



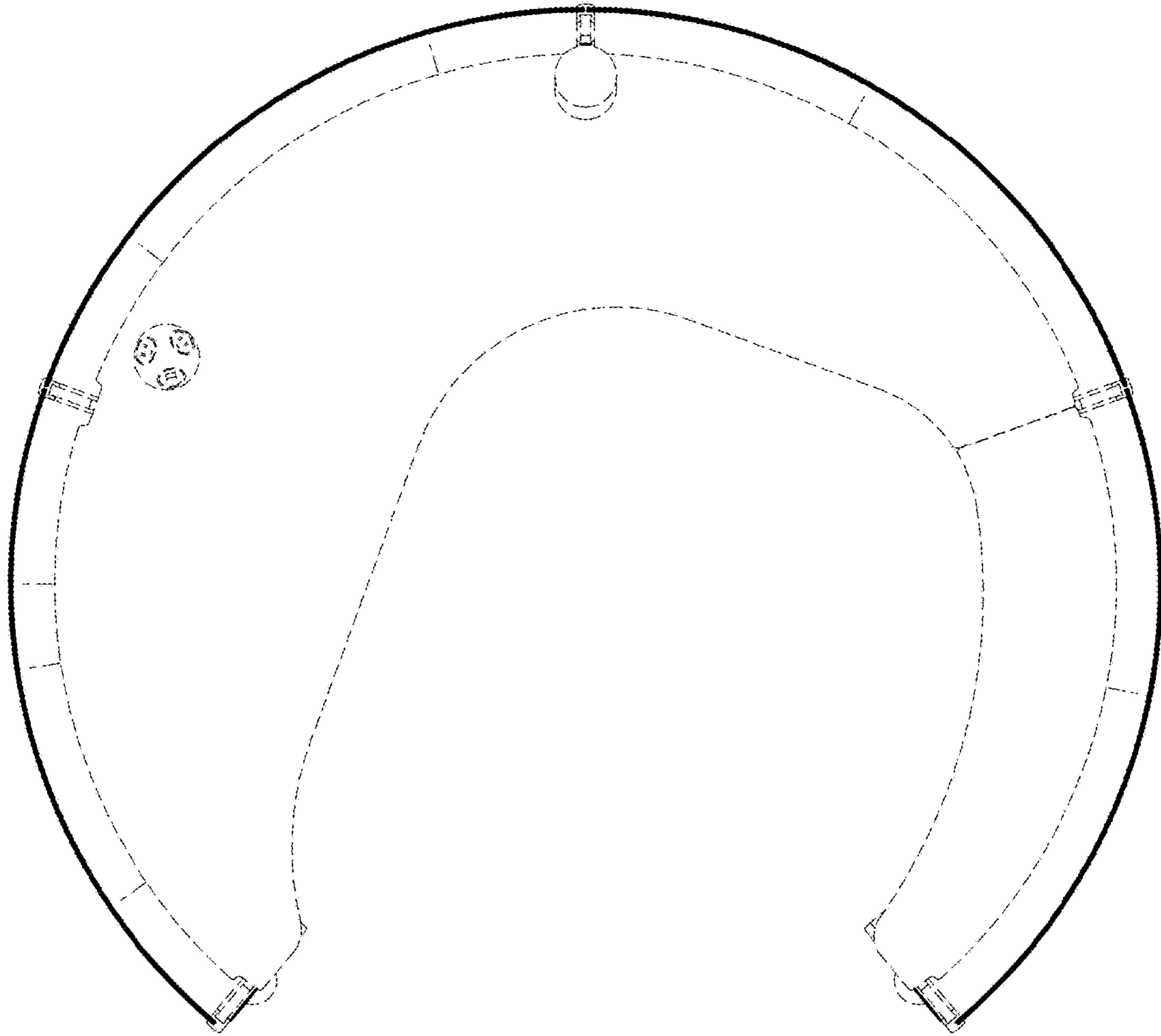
**FIG. 8**



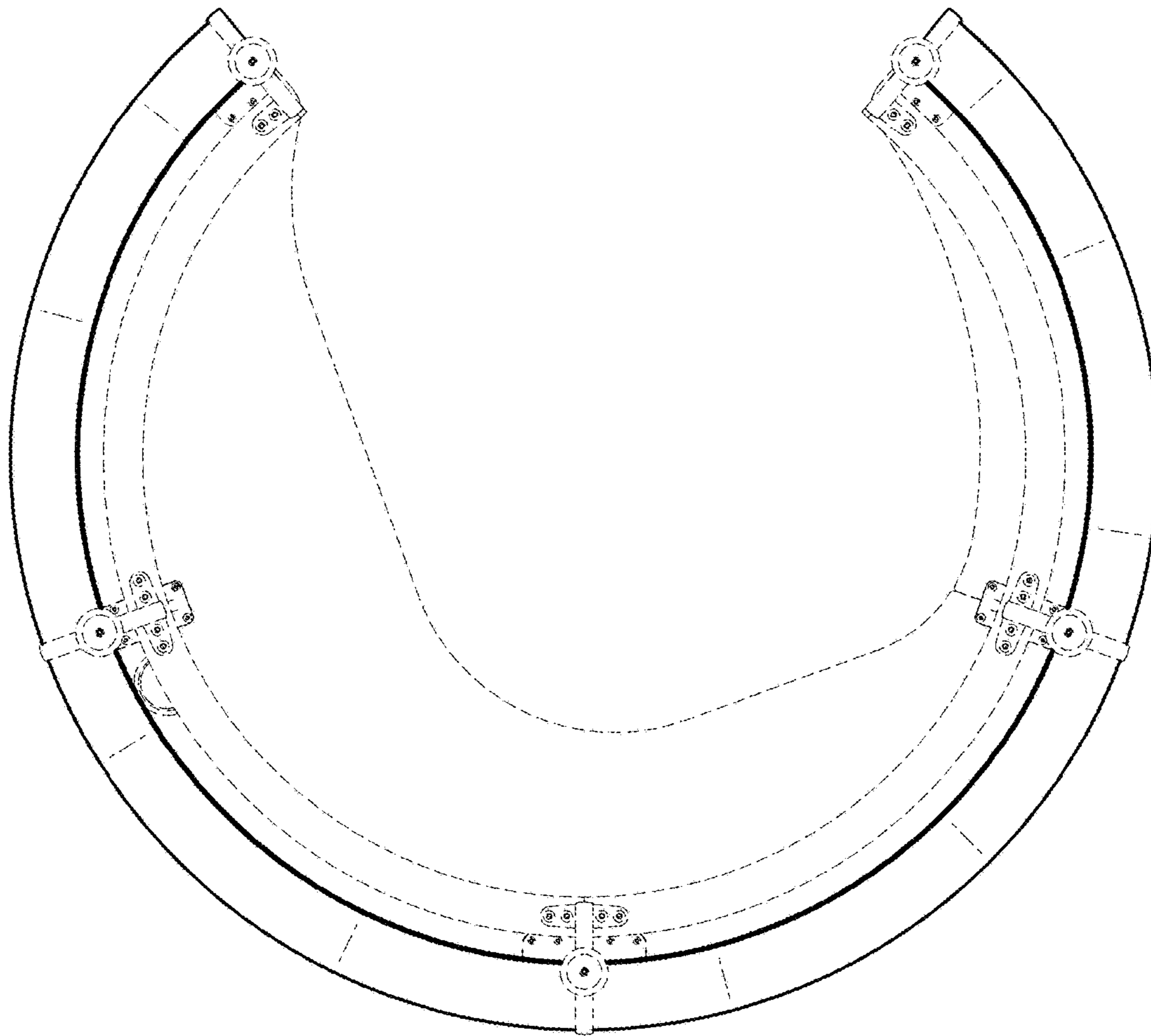
**FIG. 9**



**FIG. 10**



**FIG. 11**



**FIG. 12**