



US00D785373S

(12) **United States Design Patent**  
**McCann**

(10) **Patent No.:** **US D785,373 S**

(45) **Date of Patent:** **\*\* May 2, 2017**

(54) **WORKSTATION**

(71) Applicant: **Olo USA, LLC**, Sarasota, FL (US)

(72) Inventor: **John A McCann**, Sarasota, FL (US)

(73) Assignee: **Olo USA**, Sarasota, FL (US)

(\*\*) Term: **15 Years**

(21) Appl. No.: **29/561,662**

(22) Filed: **Apr. 19, 2016**

(51) **LOC (10) Cl.** ..... **06-03**

(52) **U.S. Cl.**

USPC ..... **D6/641**

(58) **Field of Classification Search**

USPC ..... D6/641, 644, 648, 654, 698, 672, 513,  
D6/514; D14/451, 452

CPC ... A47F 3/00; A47F 5/08; A47B 96/06; A47B  
47/00; A47B 45/00; A47B 73/006; A47B  
96/025

See application file for complete search history.

(56) **References Cited**

**U.S. PATENT DOCUMENTS**

4,802,198	A	1/1989	Guenther	
4,936,469	A *	6/1990	Drower	A47F 5/08 211/69.8
5,472,103	A *	12/1995	Merl	A47B 47/022 211/187
6,918,499	B2	7/2005	De Land	
D663,307	S *	7/2012	Sapper	D14/452
8,342,462	B2 *	1/2013	Sapper	F16M 11/10 248/124.1
8,550,415	B2 *	10/2013	Sculler	H05K 5/0017 248/291.1
8,651,444	B2 *	2/2014	Sapper	F16M 11/2021 248/218.4
9,125,502	B2 *	9/2015	Gwag	A47F 5/0884
9,247,861	B2 *	2/2016	Kan	H04N 5/655

2005/0006539	A1 *	1/2005	Fischer	A47F 5/0846 248/220.42
2009/0173847	A1 *	7/2009	Dittmer	F16M 11/041 248/125.2
2010/0028592	A1 *	2/2010	Barkdoll	A47F 5/0846 428/99
2013/0112828	A1 *	5/2013	Sapper	F16M 11/08 248/274.1
2014/0048503	A1	2/2014	Gwag	
2014/0245932	A1 *	9/2014	McKenzie, III	A47B 21/02 108/50.01

(Continued)

**OTHER PUBLICATIONS**

Store Supply: downloaded on Aug. 21, 2016 from <https://www.storesupply.com/c-711-slatwall-panels.aspx>.

(Continued)

*Primary Examiner* — Rosemary K Tarcza

*Assistant Examiner* — Alison Ofstun

(57) **CLAIM**

The ornamental design for a workstation, as shown and described.

**DESCRIPTION**

FIG. 1 is a front, first side, top perspective view thereof of a workstation according to my design;

FIG. 2 is a back, second side, bottom perspective view thereof;

FIG. 3 is a front view thereof;

FIG. 4 is a back view thereof;

FIG. 5 is a top view thereof;

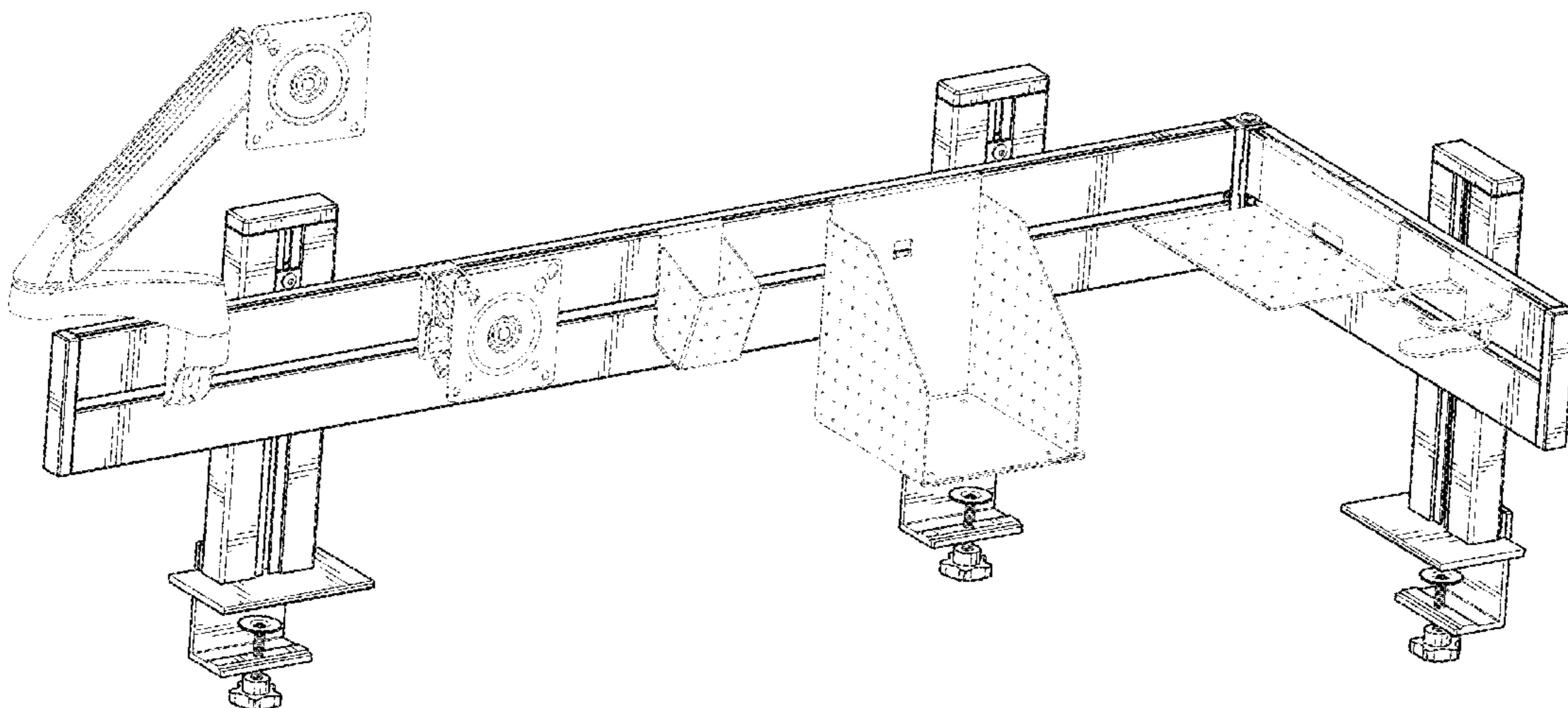
FIG. 6 is a bottom view thereof;

FIG. 7 is a first side view thereof; and,

FIG. 8 is a second side view thereof.

The broken lines shown in the drawings are included for the purpose of illustrating environmental structure and form no part of the claimed design.

**1 Claim, 7 Drawing Sheets**



(56)

**References Cited**

U.S. PATENT DOCUMENTS

2016/0227944 A1\* 8/2016 Gonzalez ..... A47B 57/565

OTHER PUBLICATIONS

Spacewall: downloaded on Aug. 21, 2016 from <http://www.spacewall.com/>.

KC Store: downloaded on Aug. 21, 2016 from <http://www.kc-store-fixtures.com/a-slatwall.php>.

US Slatwall: downloaded on Aug. 21, 2016 from <http://uslatwall.com/>.

Steelcase: downloaded on Aug. 21, 2016 from <https://www.steelcase.com/products/organization-tools/slatwall-slatrail-as-sorted-worktools/>.

Humanscale: downloaded on Aug. 21, 2016 from <http://www.humanscale.com/products/product.cfm?group=AccessRail>.

Mobile Farms: downloaded on Aug. 21, 2016 from <http://aceluxe2.mobilefarms.com/>.

\* cited by examiner

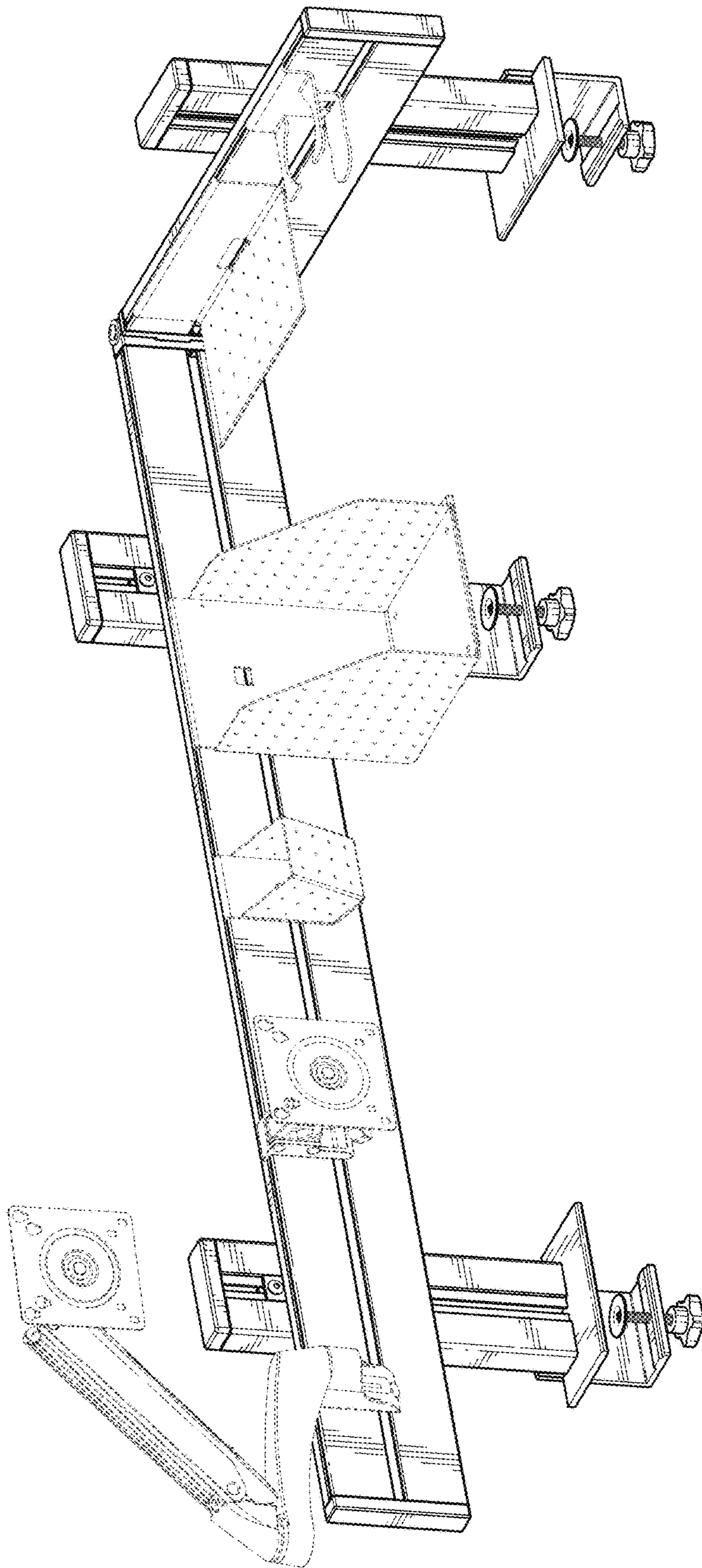


FIG. 1



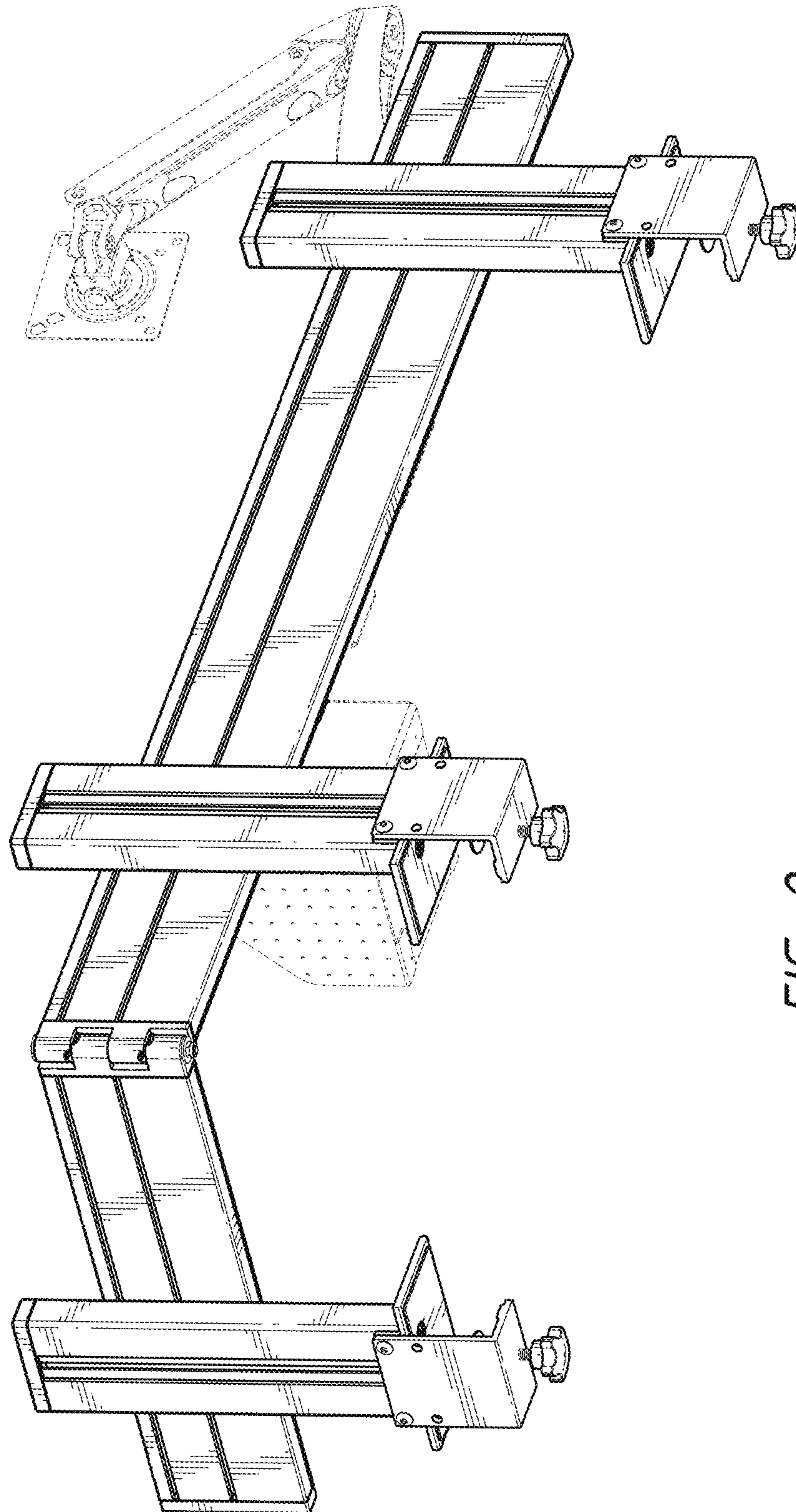


FIG. 2

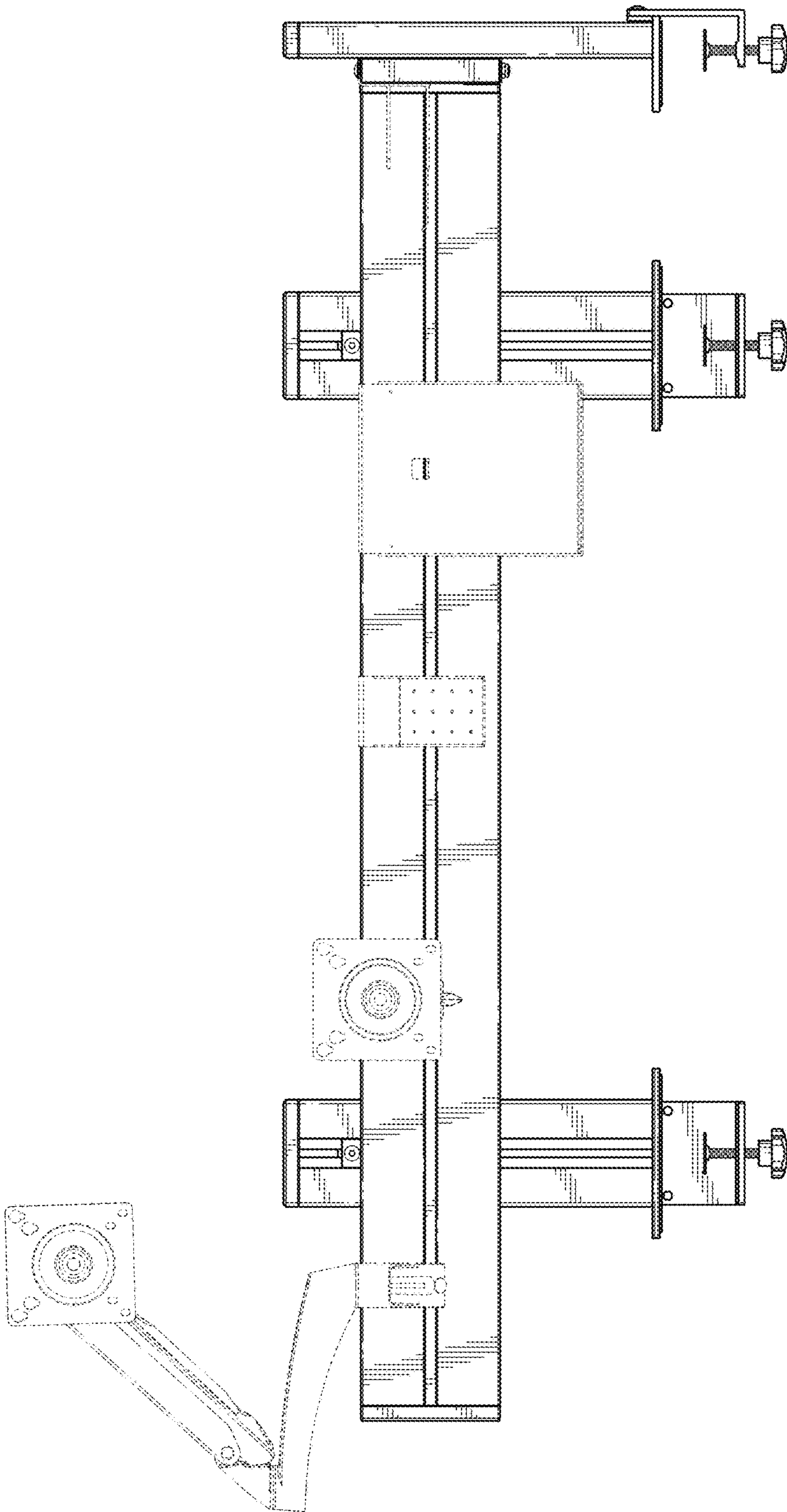


FIG. 3

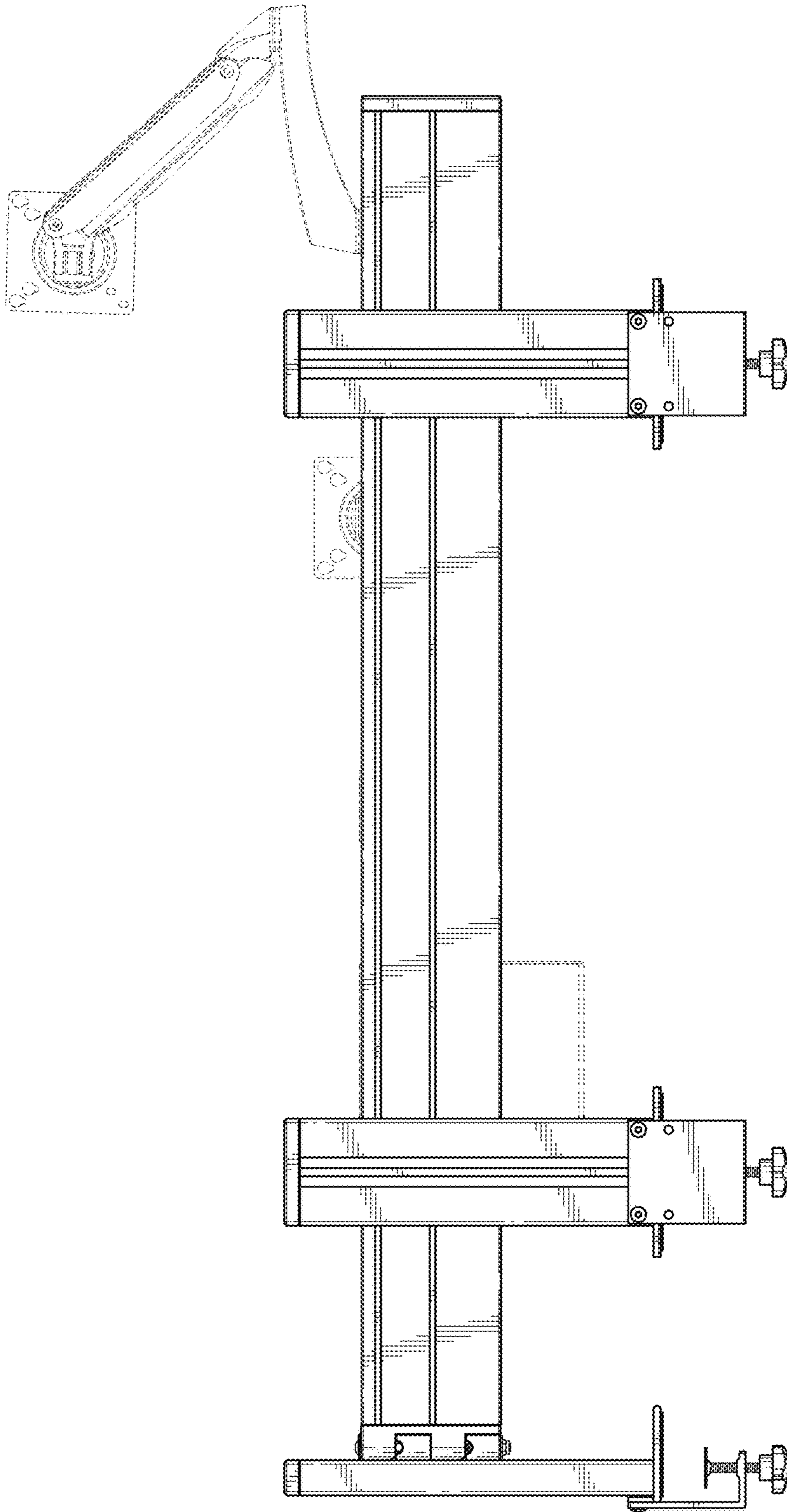


FIG. 4

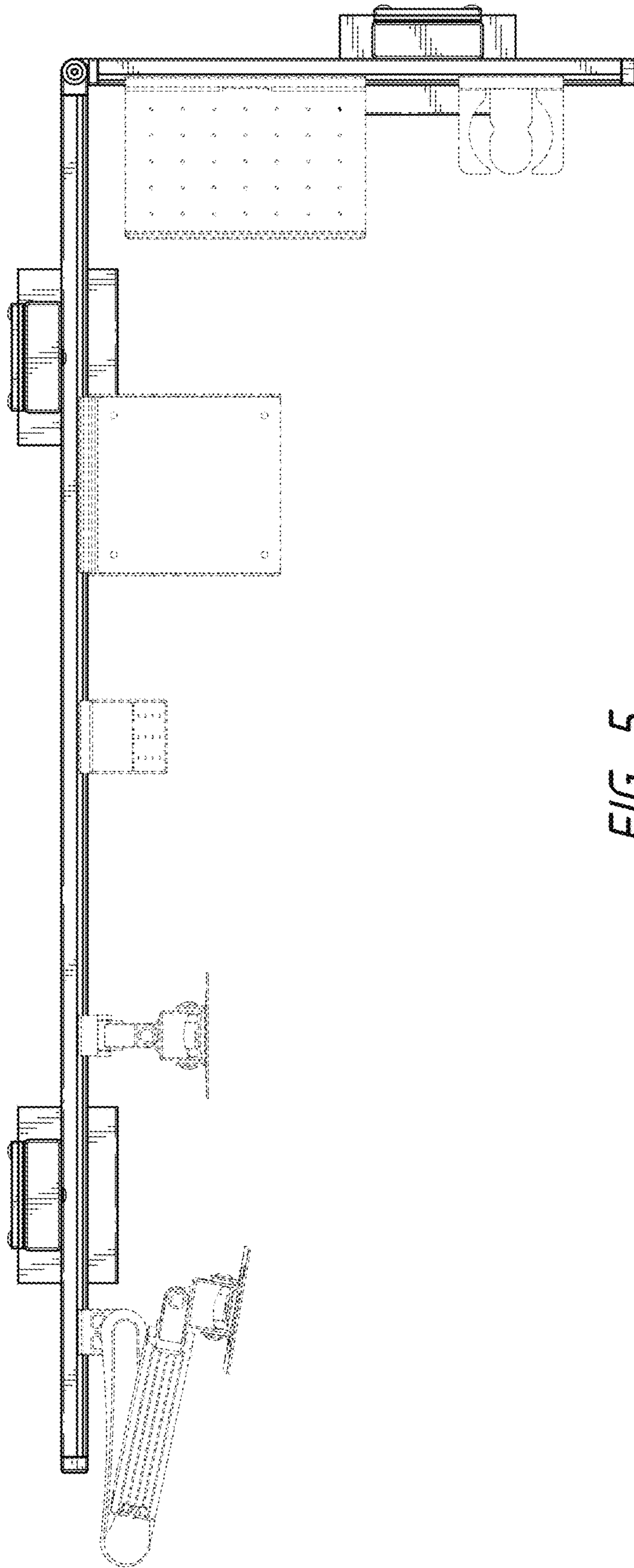


FIG. 5



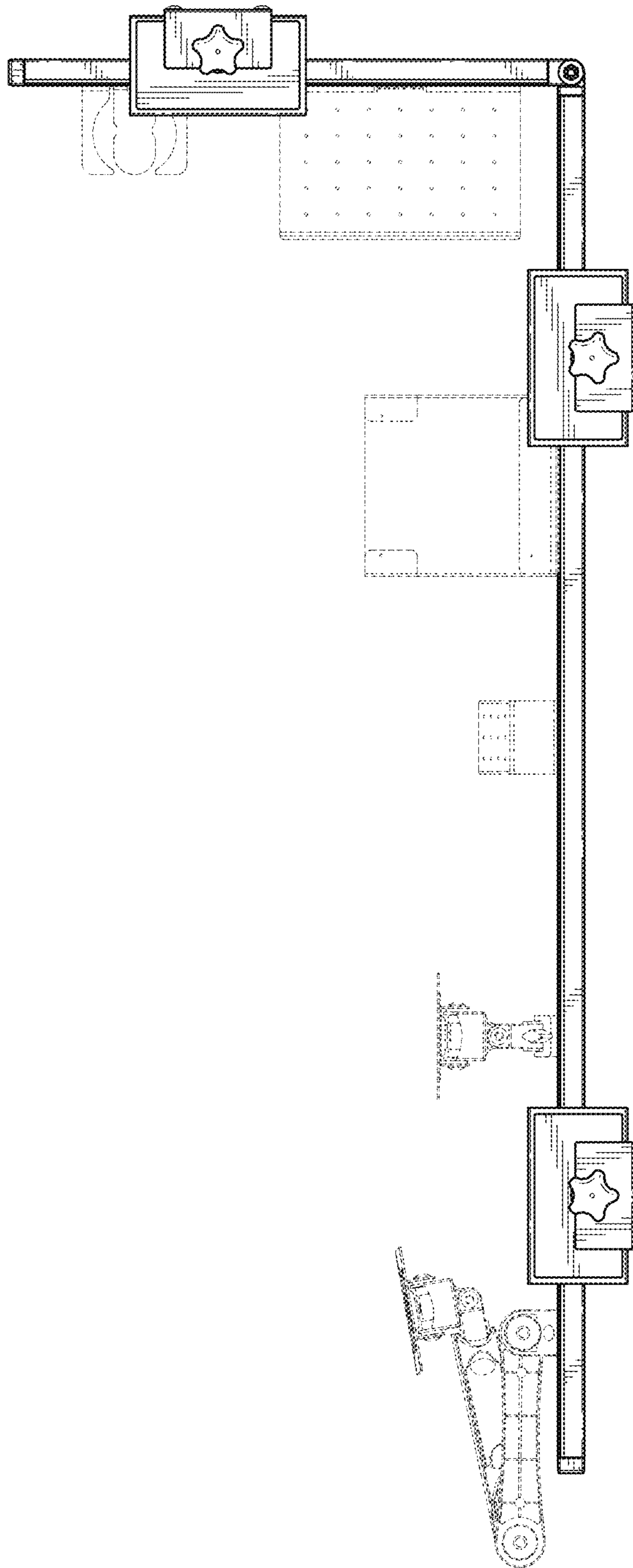


FIG. 6



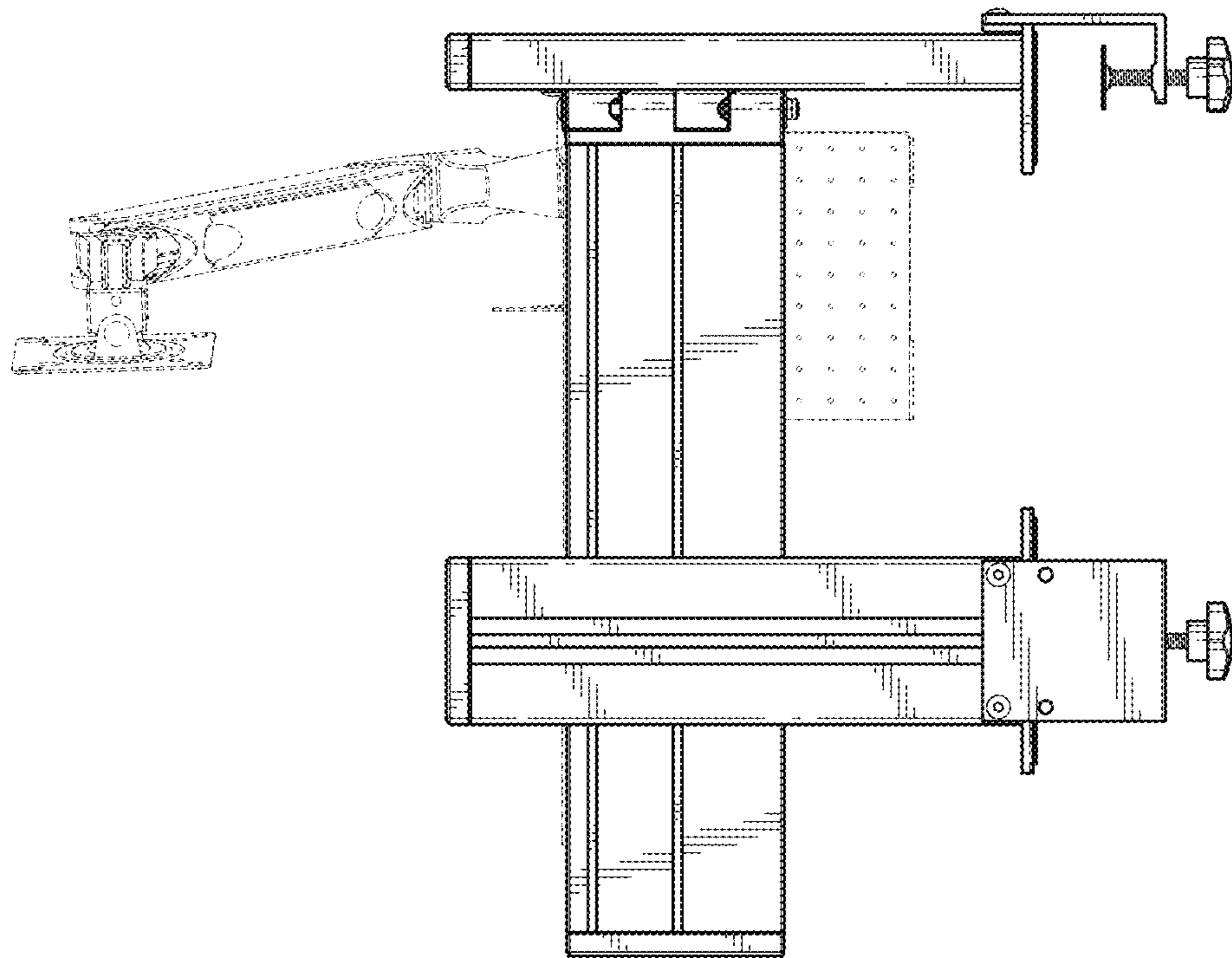


FIG. 8

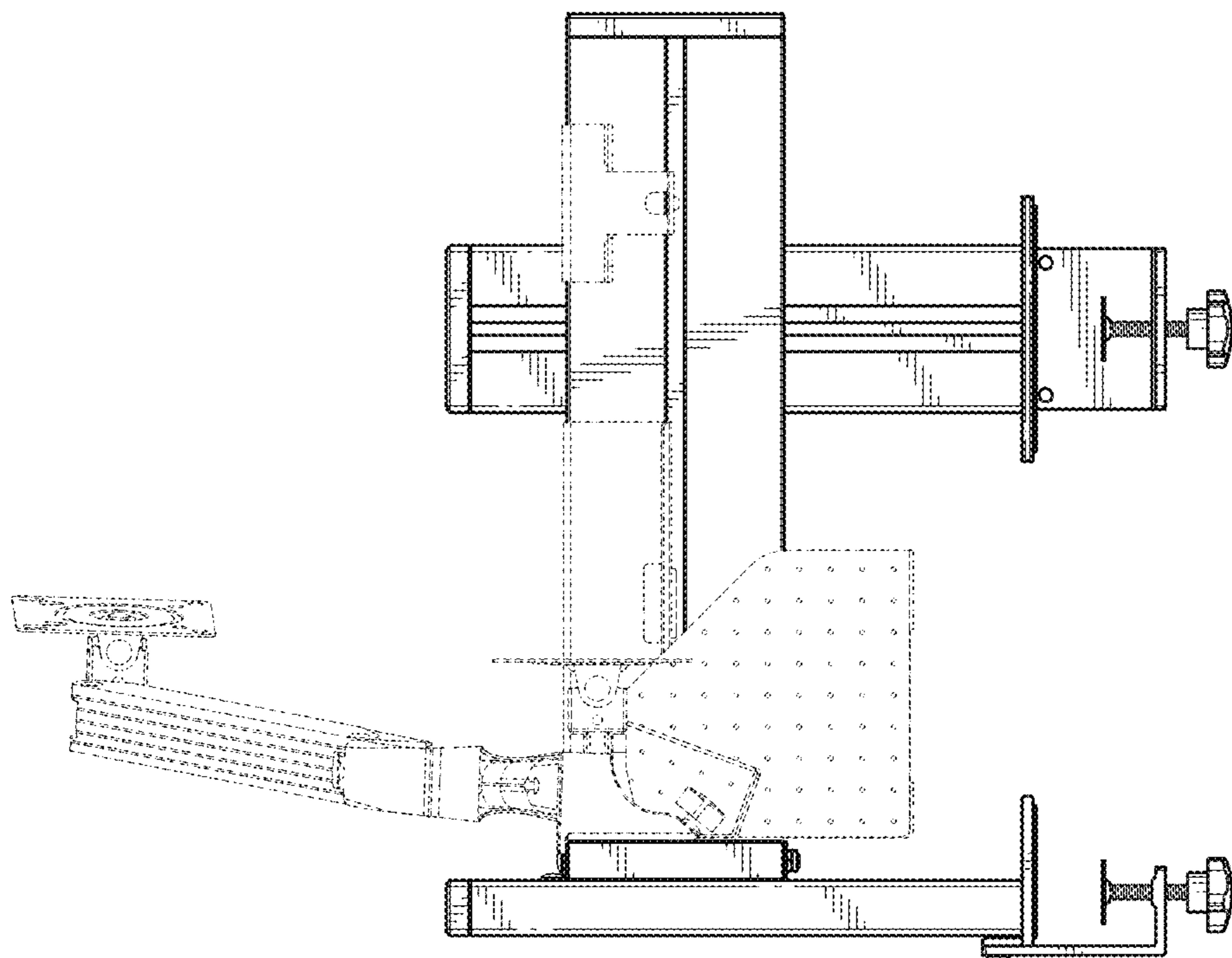


FIG. 7