



US00D785370S

(12) **United States Design Patent**
Randall

(10) **Patent No.:** **US D785,370 S**
(45) **Date of Patent:** **** May 2, 2017**

(54) PILLOW	6,026,330 A	2/2000	Chuang	
	6,292,964 B1 *	9/2001	Rose	A47G 9/10 5/630
(71) Applicant: Bret Randall , South Jordan, UT (US)	6,891,078 B1	5/2005	Dillard	
	6,913,019 B2	7/2005	Johns et al.	
(72) Inventor: Bret Randall , South Jordan, UT (US)	D578,219 S *	10/2008	Daggett	D24/183
	D587,507 S *	3/2009	Martin	D6/604
(**) Term: 15 Years	D635,265 S *	3/2011	Coffey	D24/183
	D714,077 S *	9/2014	Mun	D6/602
(21) Appl. No.: 29/539,772	2006/0123548 A1 *	6/2006	Heath	A47G 9/10 5/644
	2010/0200001 A1 *	8/2010	Randall	A61F 5/56 128/845
(22) Filed: Sep. 17, 2015	2015/0000042 A1 *	1/2015	Randall	A47G 9/10 5/655.4

Related U.S. Application Data

(63) Continuation-in-part of application No. 14/483,834, filed on Sep. 11, 2014, and a continuation-in-part of application No. 12/701,544, filed on Feb. 6, 2010.

(51) **LOC (10) Cl.** **06-09**

(52) **U.S. Cl.**
USPC **D6/601**

(58) **Field of Classification Search**
USPC D6/582-583, 587-592, 595-609,
D6/617-622; D21/803-809; D24/183
CPC A47G 9/00; A47G 2009/001; A47G
2009/002; A47G 2009/003; A47G 9/10;
A47G 9/1009; A47G 2009/1018; A47G
9/1045; A47G 9/1081; A47G 9/109
See application file for complete search history.

(56) **References Cited**

U.S. PATENT DOCUMENTS

4,768,248 A	9/1988	O'Sullivan	
D305,845 S *	2/1990	Foster	D12/421
D336,134 S *	6/1993	Kalatsky	D24/190
5,363,524 A	11/1994	Lang	
D375,989 S *	11/1996	Jacobs	D21/809

* cited by examiner

Primary Examiner — Mary Ann Calabrese

Assistant Examiner — Jennifer L Rempfer

(74) *Attorney, Agent, or Firm* — Pate Baird, PLLC

(57) **CLAIM**

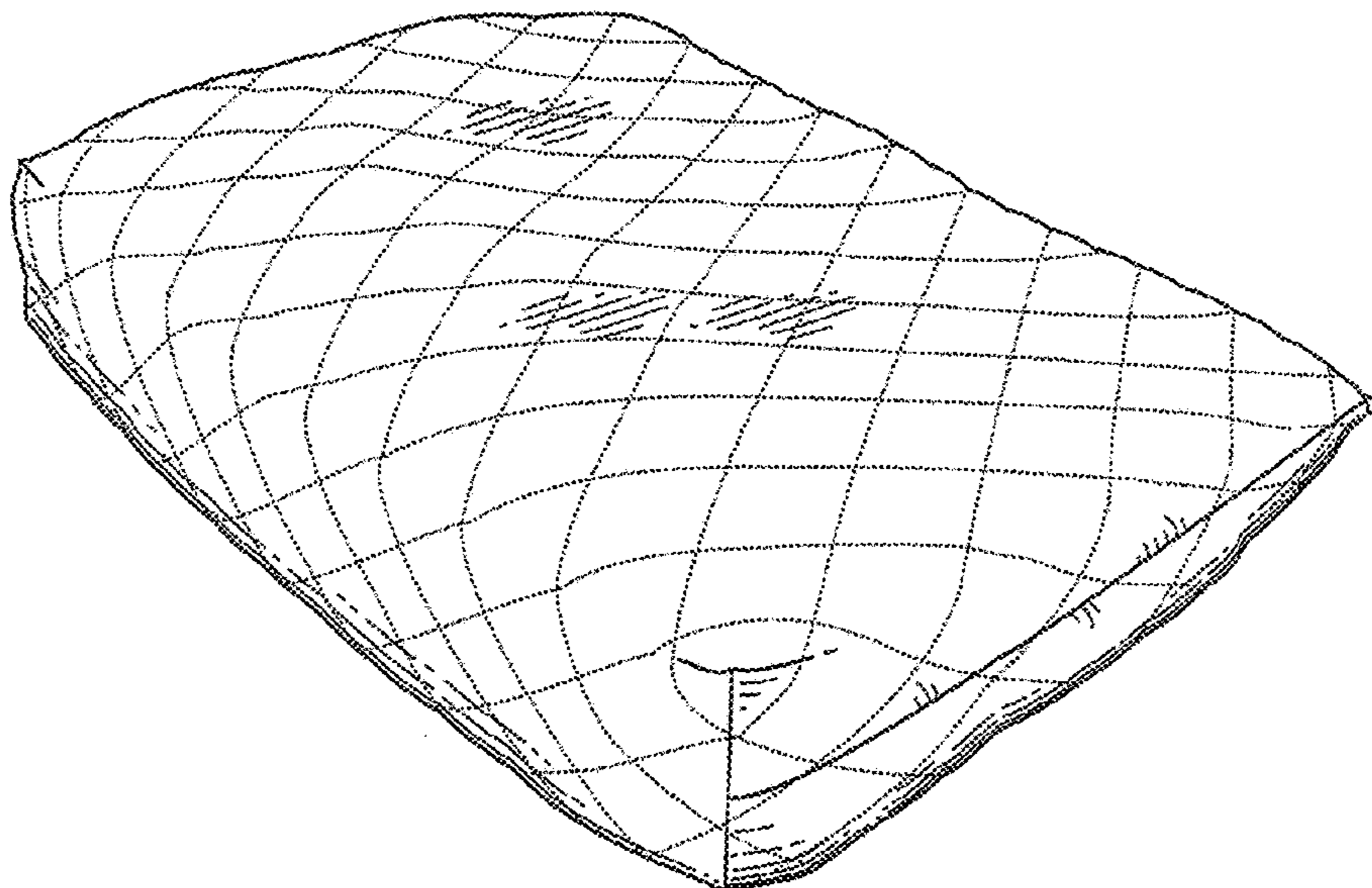
The ornamental design for a pillow, as shown and described.

DESCRIPTION

FIG. 1 is a front, overhead perspective view thereof;
FIG. 2 is a rear, underside perspective view thereof;
FIG. 3 is a top plan view thereof;
FIG. 4 is a bottom plan view thereof;
FIG. 5 is a right side elevation view thereof;
FIG. 6 is a left side elevation view thereof;
FIG. 7 is a front elevation view thereof; and,
FIG. 8 is a rear elevation view thereof.

The broken lines show portions of the design that form no part of the claim.

1 Claim, 4 Drawing Sheets



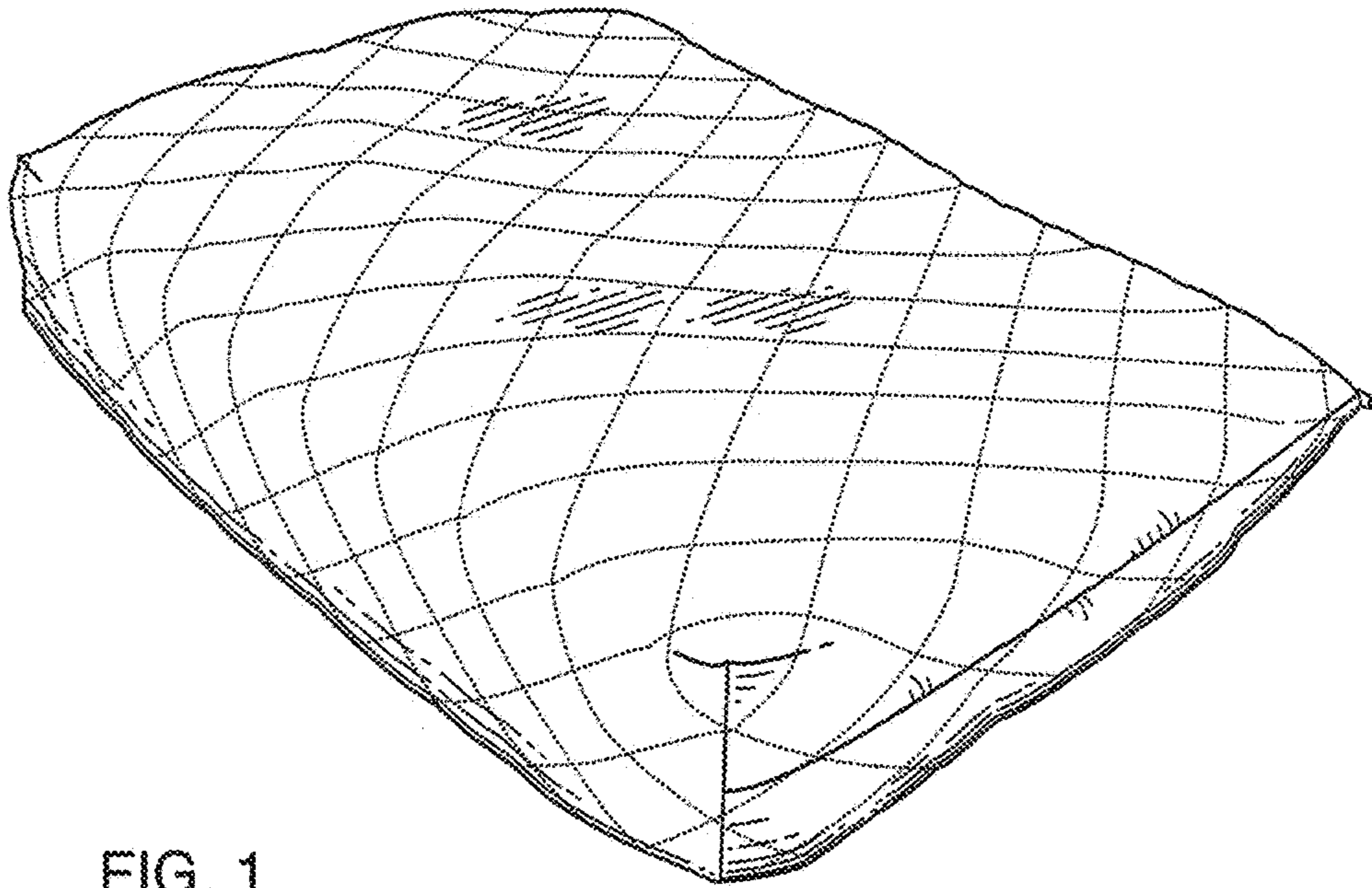


FIG. 1

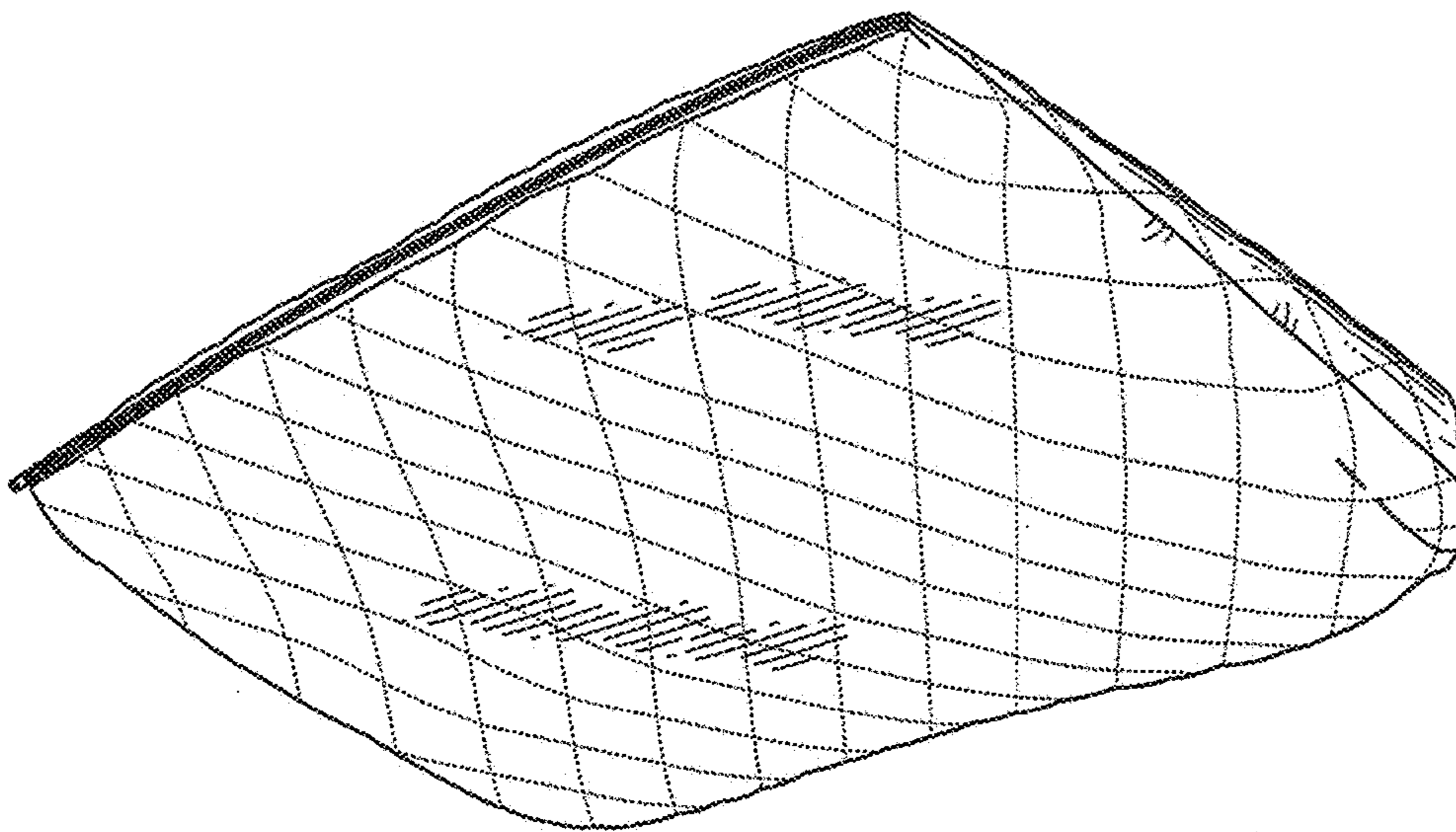


FIG. 2

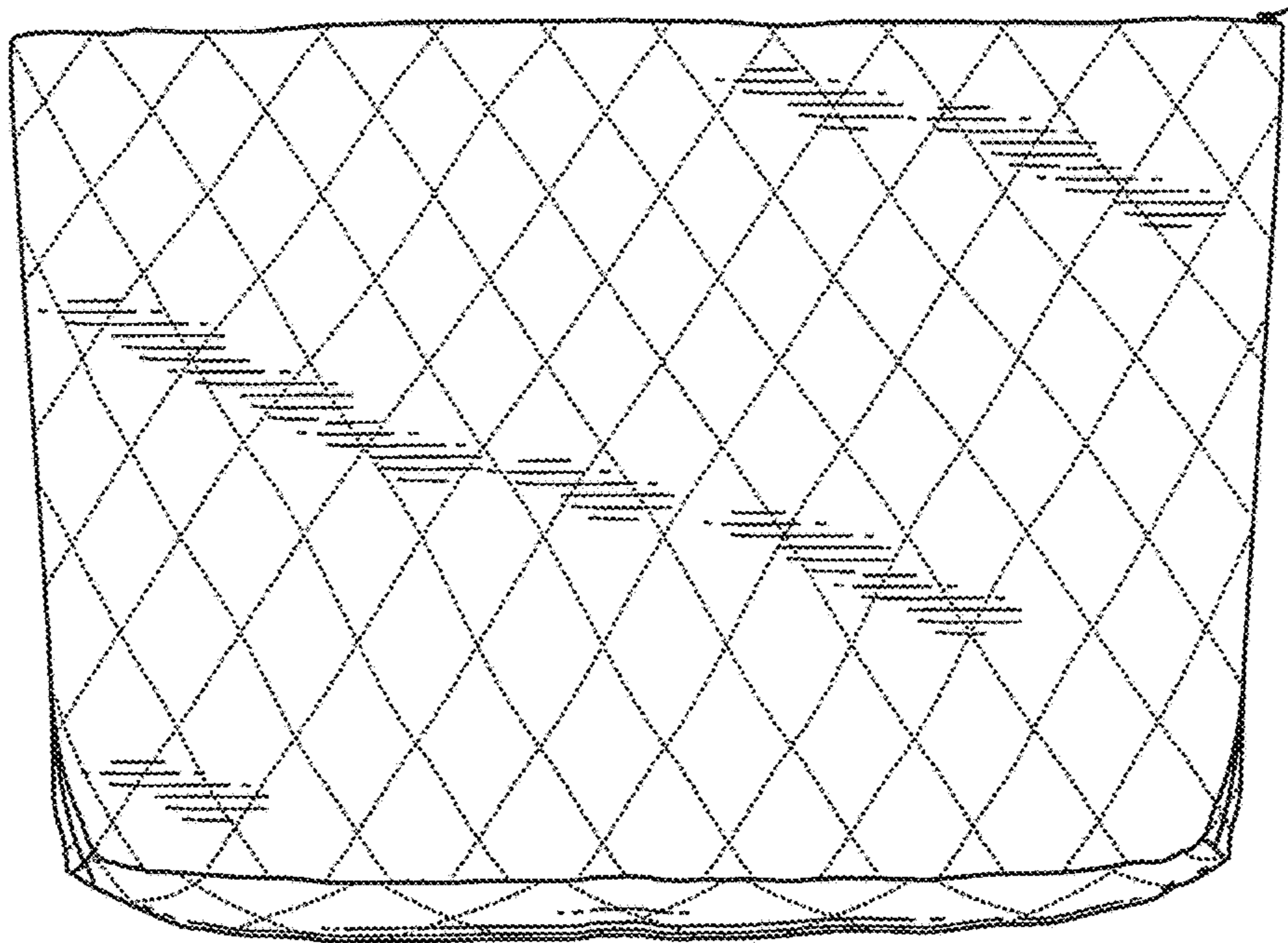


FIG. 3

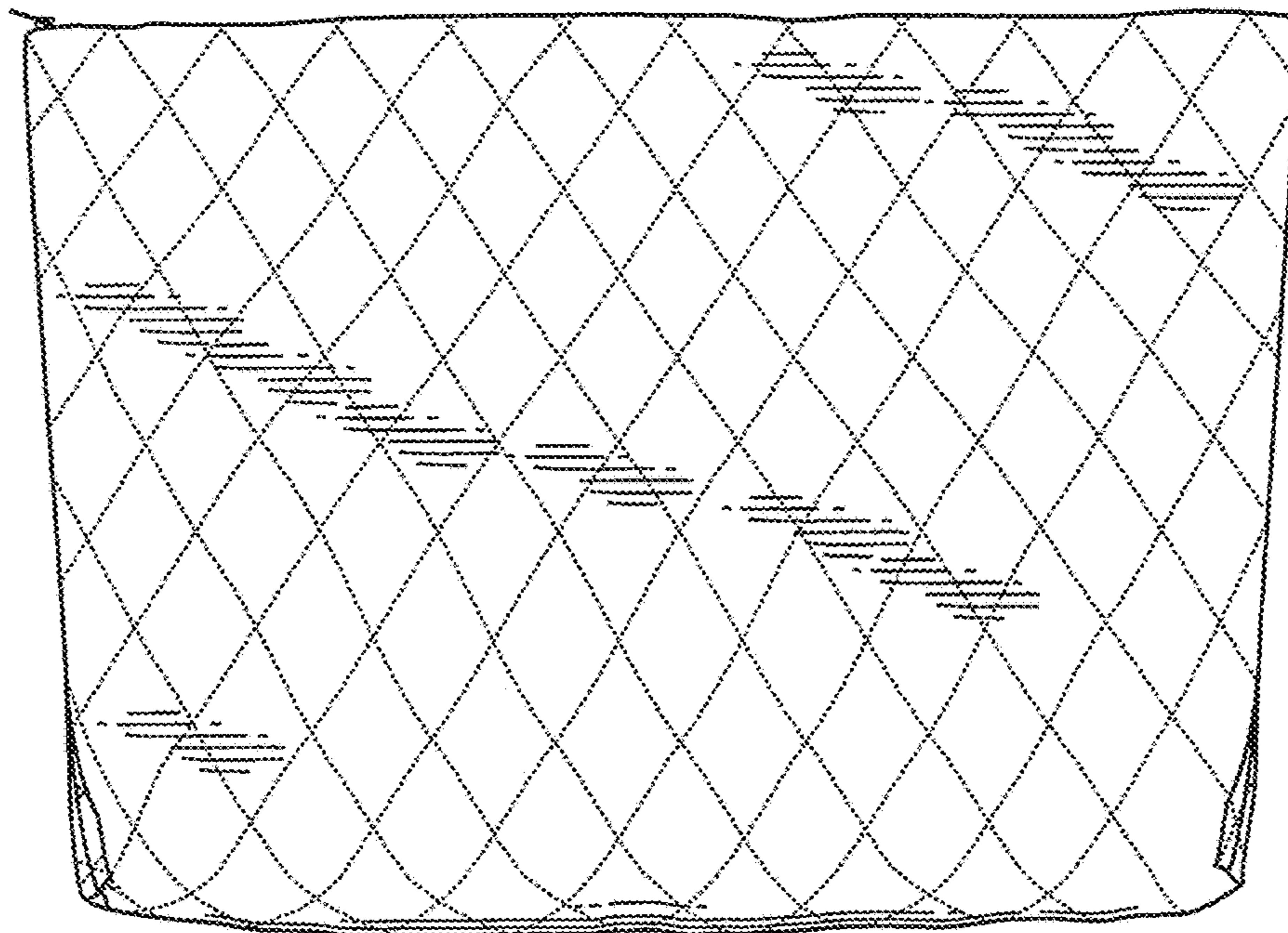


FIG. 4

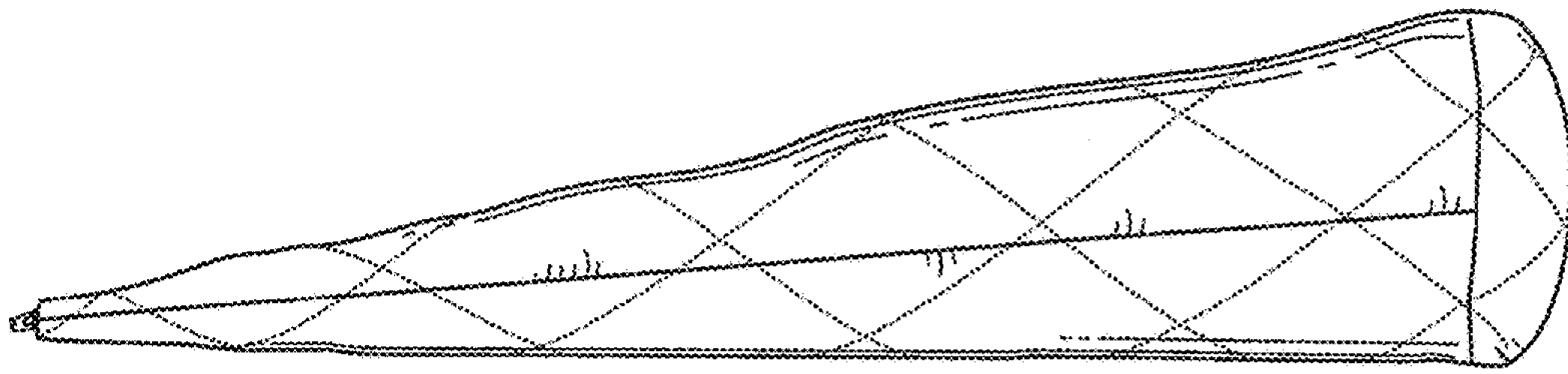


FIG. 5

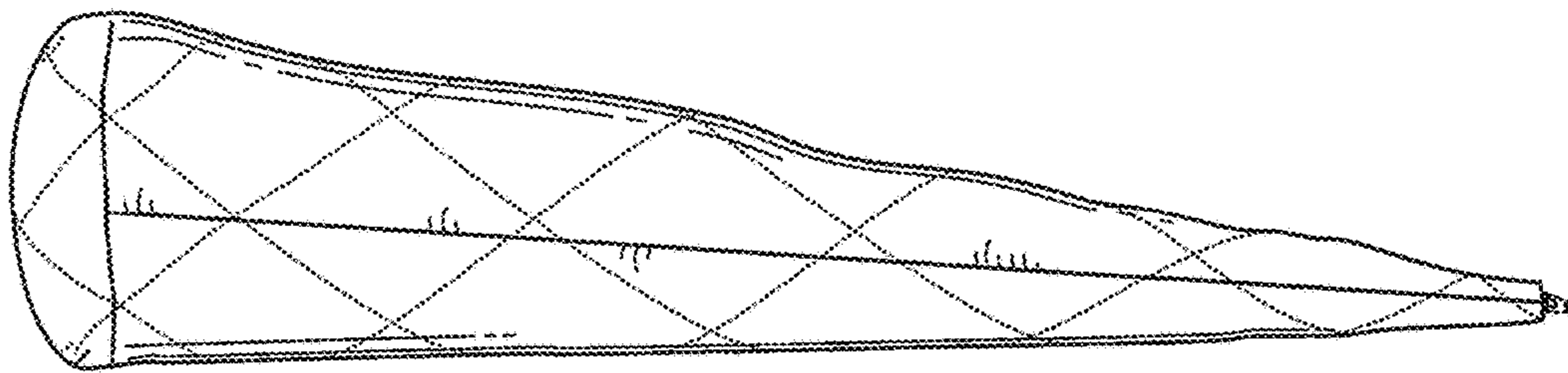


FIG. 6

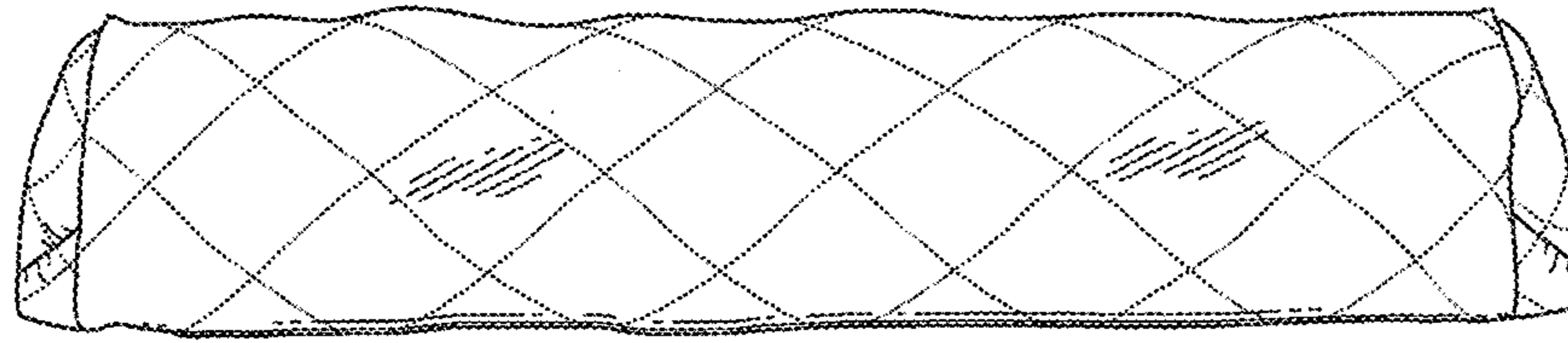


FIG. 7

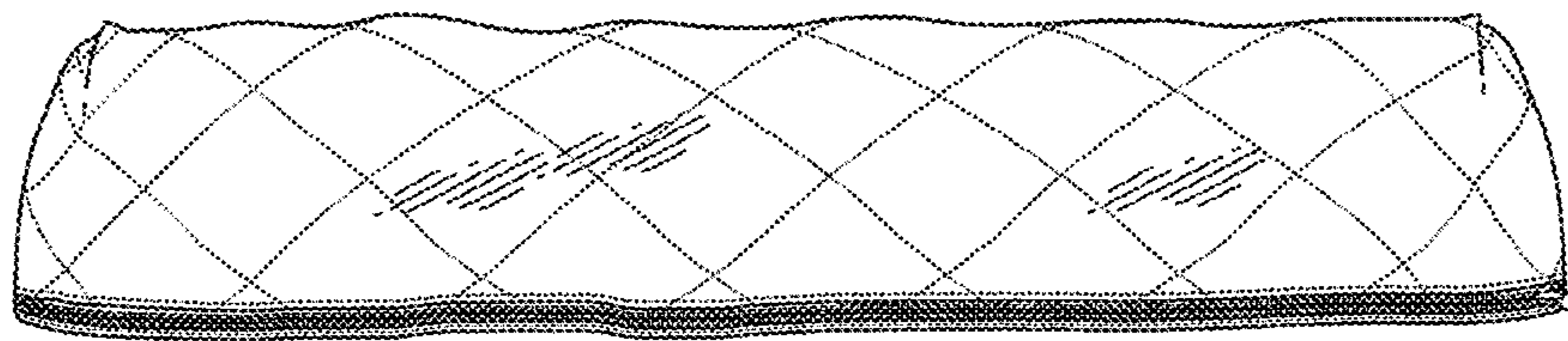


FIG. 8