



US00D785369S

(12) **United States Design Patent**
Goodman et al.

(10) **Patent No.:** **US D785,369 S**

(45) **Date of Patent:** **** May 2, 2017**

(54) **RACK**

(71) Applicant: **Spectrum Diversified Designs, LLC**,
Streetsboro, OH (US)

(72) Inventors: **Aaron D. Goodman**, Beachwood, OH
(US); **Phaysouk Xayoiphonh**, Akron,
OH (US); **Wenyue Wang**, Stow, OH
(US)

(73) Assignee: **Spectrum Diversified Designs, LLC**,
Streetsboro, OH (US)

(**) Term: **15 Years**

(21) Appl. No.: **29/554,634**

(22) Filed: **Feb. 12, 2016**

(51) **LOC (10) Cl.** **06-04**

(52) **U.S. Cl.**
USPC **D6/566**

(58) **Field of Classification Search**
USPC D6/566, 512-514, 524, 525, 540,
D6/552-553, 570, 549, 574; D19/90
CPC A47K 17/00; A47K 3/281; A47K 3/001;
B23P 17/04; A47B 57/265; A47B 57/565;
A47B 57/26

See application file for complete search history.

(56) **References Cited**

U.S. PATENT DOCUMENTS

D403,187 S * 12/1998 Klein D6/513
D499,286 S * 12/2004 Harwanko D6/514

D525,061 S * 7/2006 Abdi D6/514
D542,065 S * 5/2007 Snell D6/514
D656,353 S * 3/2012 Kotz D6/566
D699,967 S 2/2014 Goodman et al.
D700,453 S 3/2014 Goodman et al.
D701,058 S 3/2014 Goodman et al.
D723,297 S * 3/2015 Goodman D6/513

* cited by examiner

Primary Examiner — Wan Laymon

Assistant Examiner — Mark Booker

(74) *Attorney, Agent, or Firm* — Renner, Otto, Boisselle
& Sklar, LLP

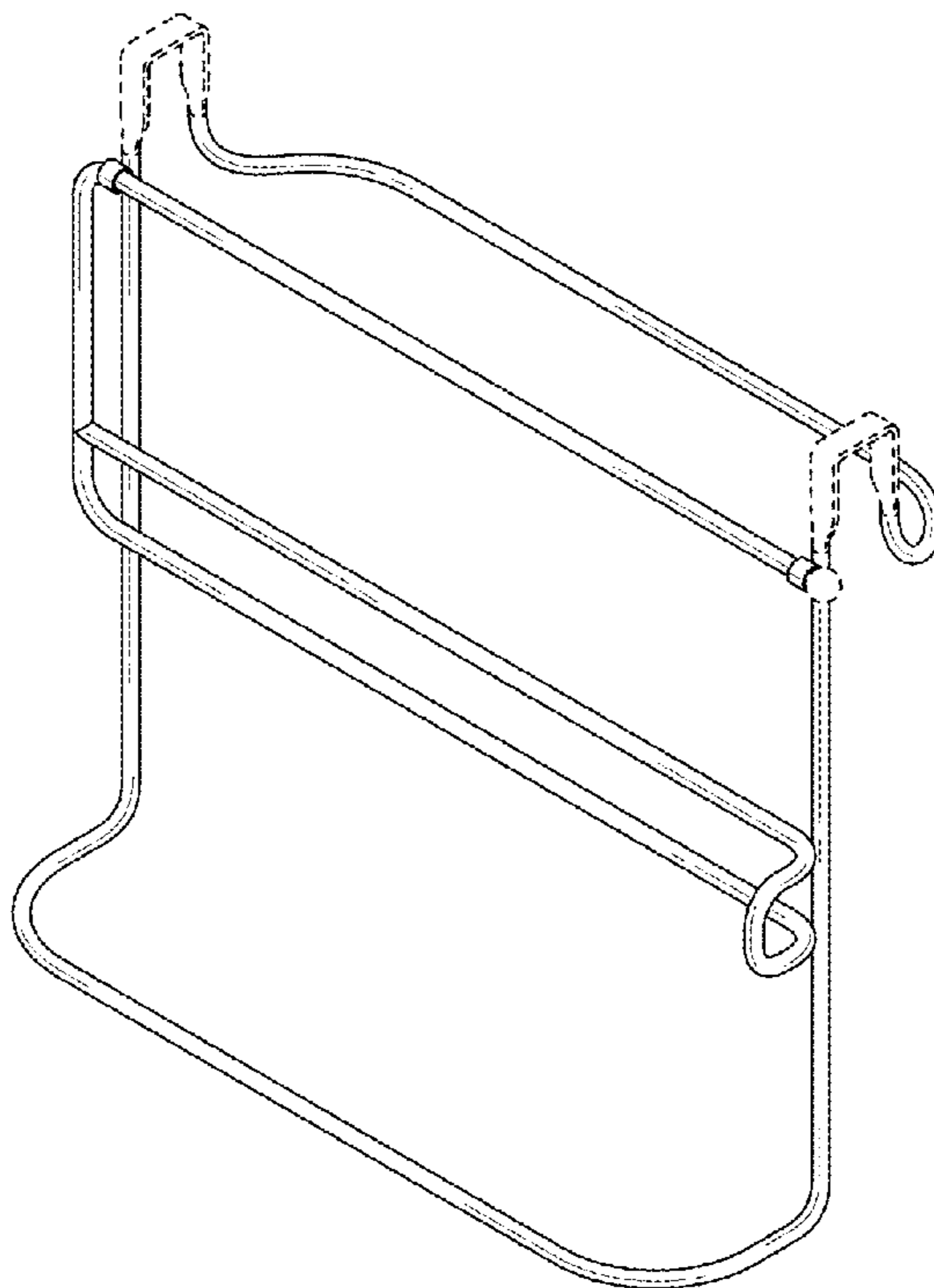
(57) **CLAIM**

The ornamental design for a rack, as shown and described.

DESCRIPTION

FIG. 1 is a top, front, right perspective view of a rack showing our new design;
FIG. 2 is a front elevation view thereof;
FIG. 3 is a rear elevation view thereof;
FIG. 4 is a left side elevation view thereof;
FIG. 5 is a right side elevation view thereof;
FIG. 6 is a top plan view thereof; and,
FIG. 7 is a bottom plan view thereof.
The broken lines shown in the figures represent portions of the rack that form no part of the claimed design.

1 Claim, 4 Drawing Sheets



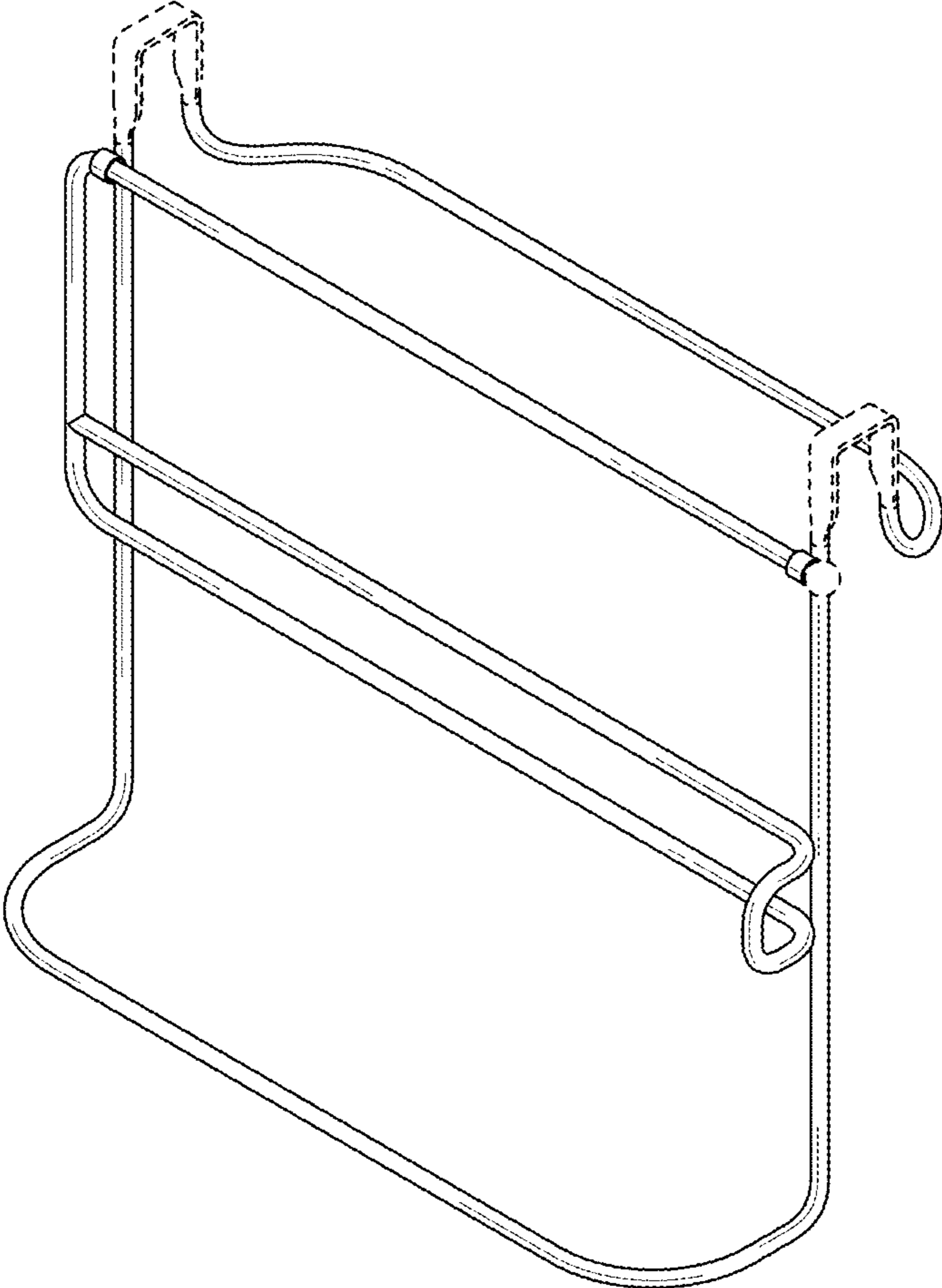


FIG. 1

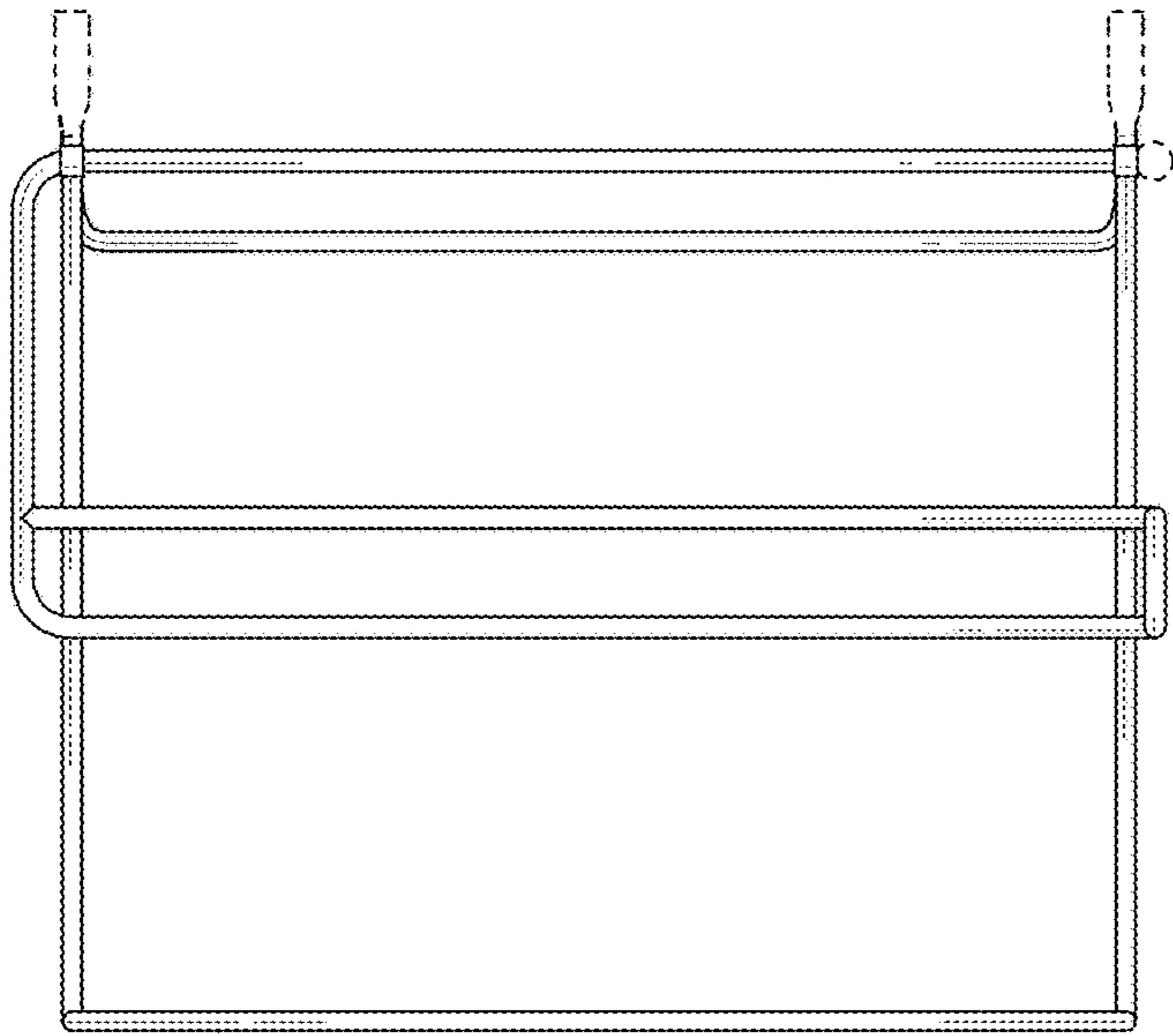


FIG. 2

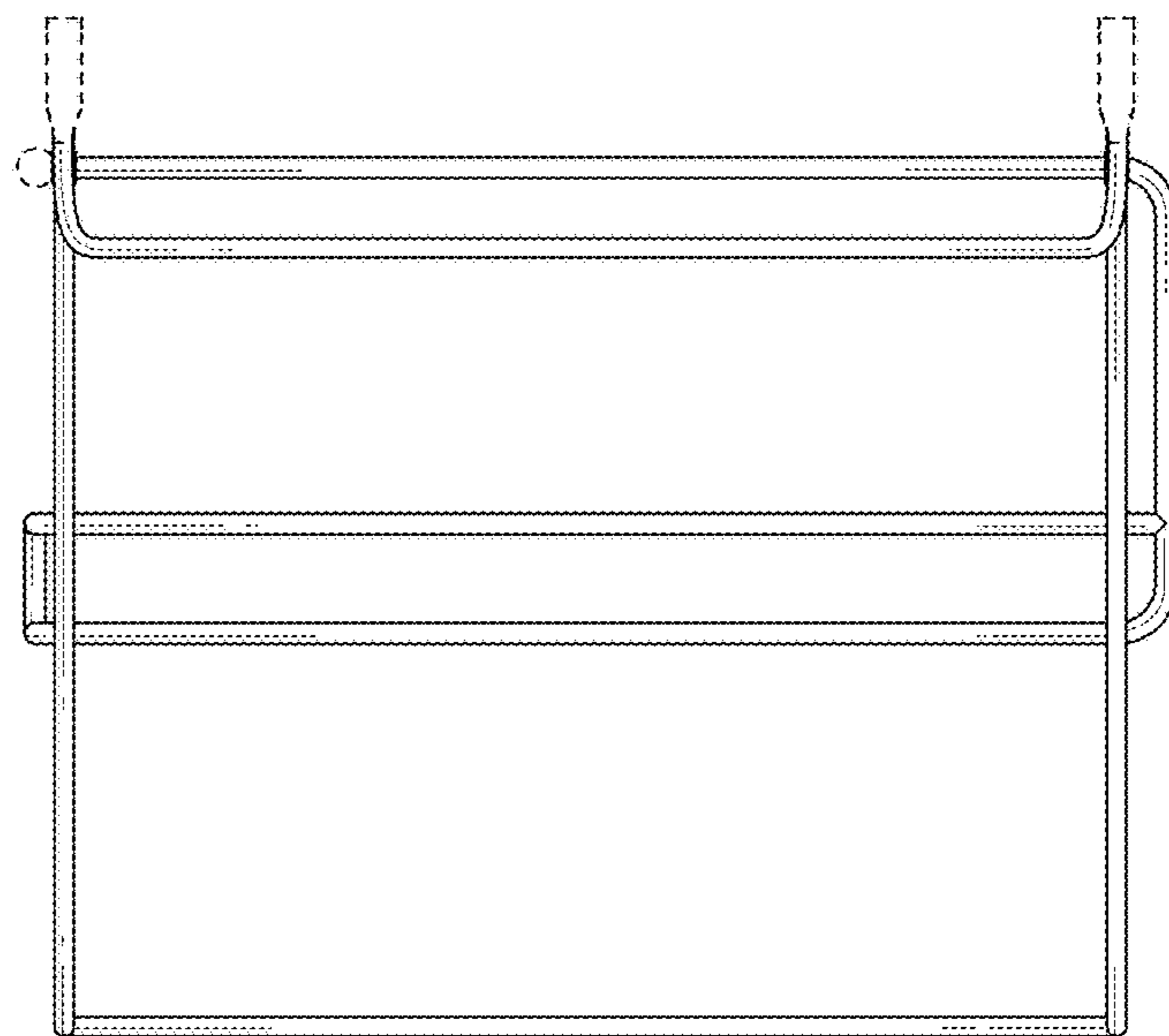


FIG. 3

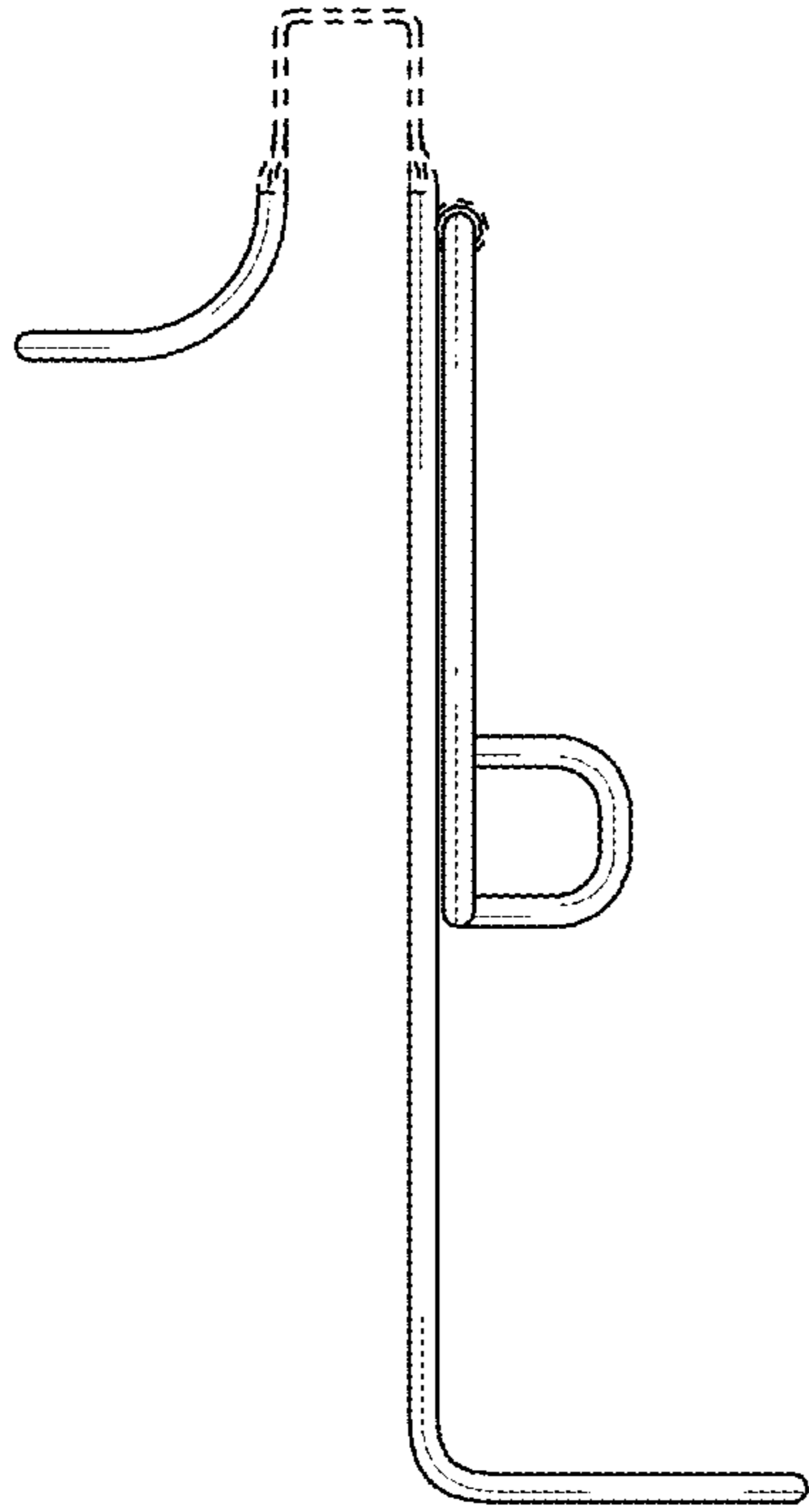


FIG. 4

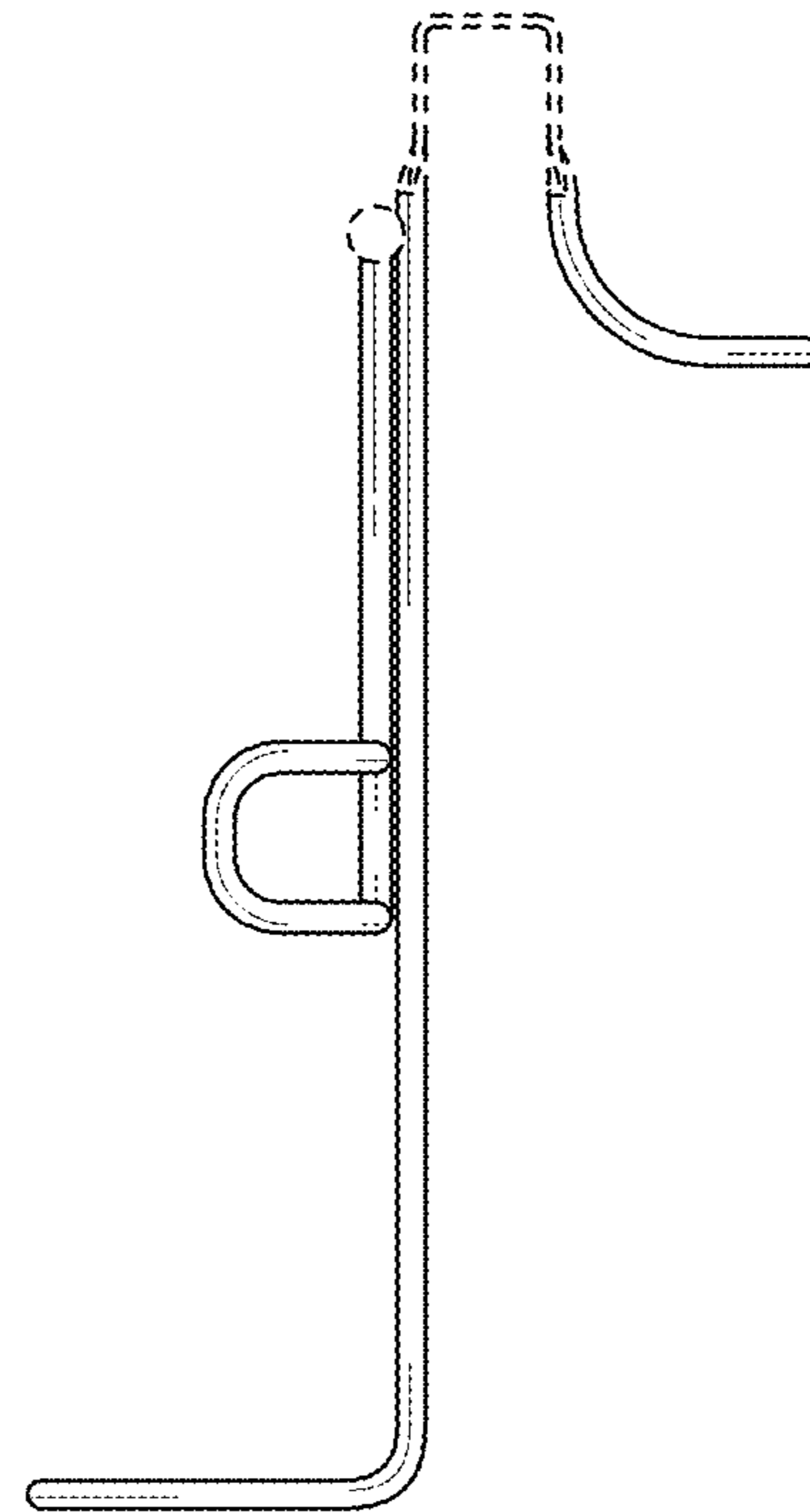


FIG. 5

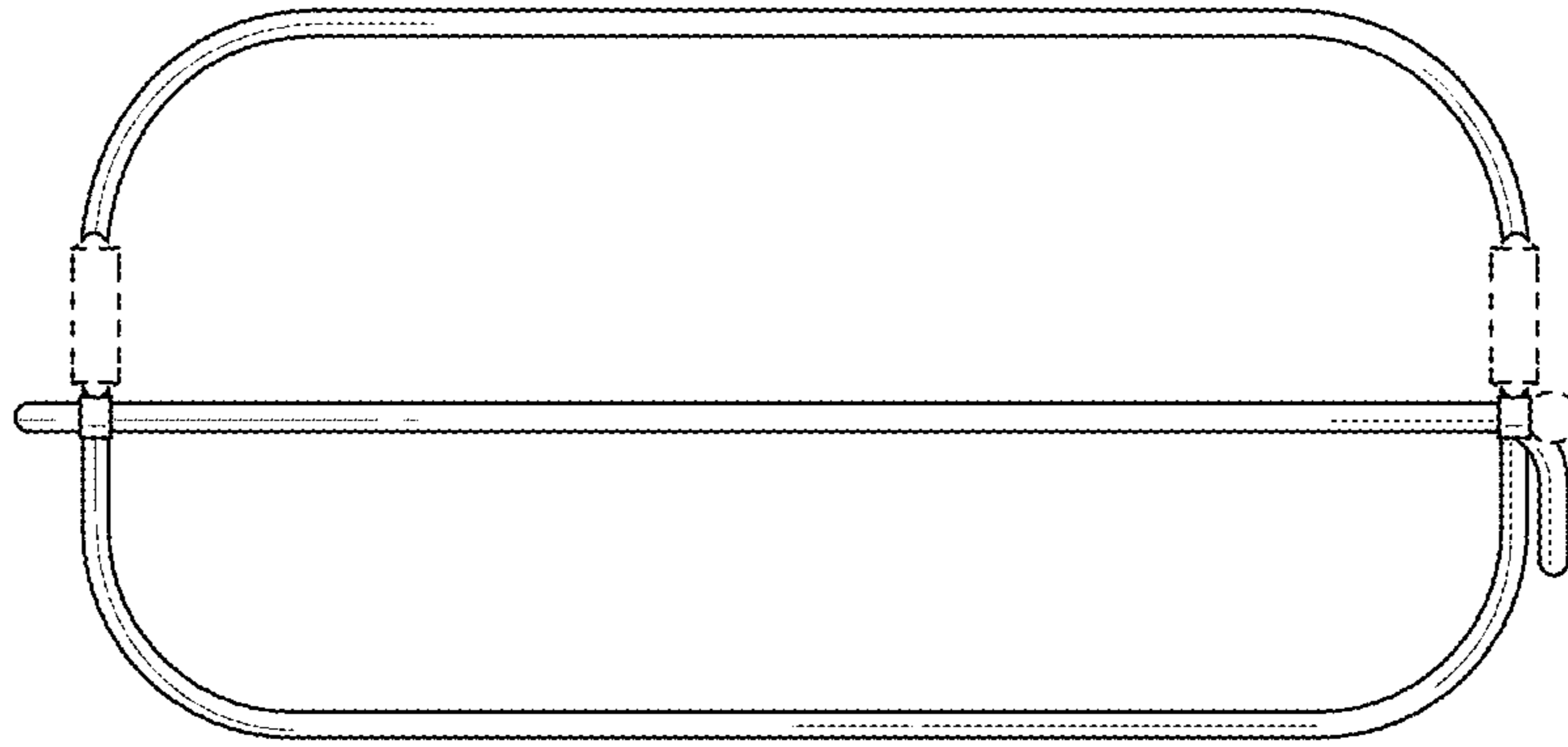


FIG. 6

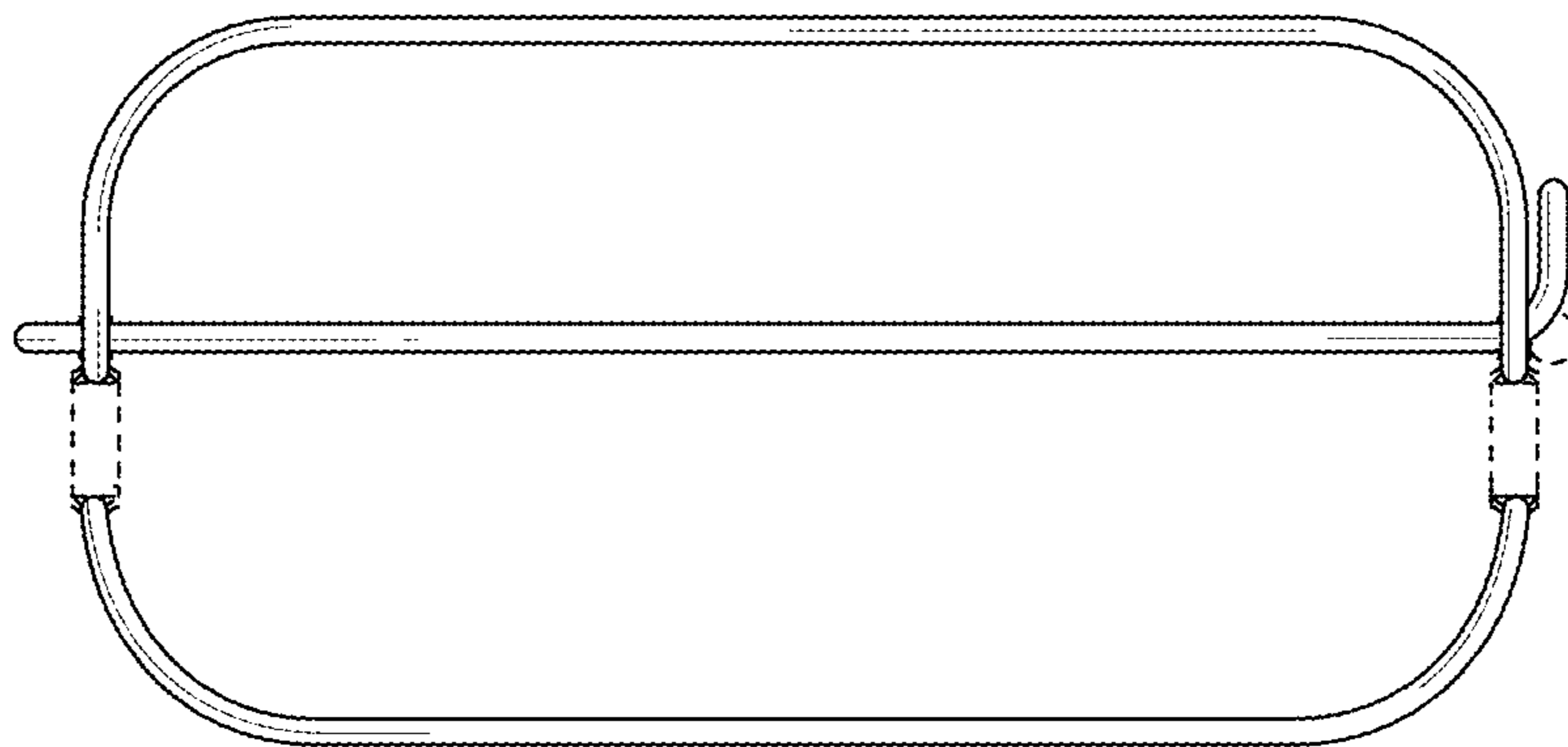


FIG. 7