



US00D785368S

(12) **United States Design Patent** (10) **Patent No.:** **US D785,368 S**
Goodman et al. (45) **Date of Patent:** **** May 2, 2017**

(54) **SPONGE AND BRUSH CADDY**

(71) Applicant: **Spectrum Diversified Designs, Inc.**,
Streetsboro, OH (US)

(72) Inventors: **Sheldon H. Goodman**, Solon, OH
(US); **Phaysouk Xayoiphonh**, Akron,
OH (US); **Courtney K. Wilson**,
Chardon, OH (US)

(73) Assignee: **Spectrum Diversified Designs, LLC**,
Streetsboro, OH (US)

(**) Term: **14 Years**

(21) Appl. No.: **29/507,692**

(22) Filed: **Oct. 30, 2014**

(51) **LOC (10) Cl.** **06-04**

(52) **U.S. Cl.**
USPC **D6/566**

(58) **Field of Classification Search**
USPC D6/566, 524, 525, 536-537, 540, 567,
D6/320, 553; 211/13.1, 74, 71.01, 86.01,
211/75, 88.01, 90.01, 90.03, 106, 119,
211/126.1, 133.5, 181.1, 134, 87.01;
D3/306; D32/55-56; D7/637;
248/206.2-206.3
CPC .. B23P 17/04; A47K 1/09; A47K 1/08; A47K
3/281; F16B 47/00
See application file for complete search history.

(56) **References Cited**

U.S. PATENT DOCUMENTS

2,936,146 A * 5/1960 Wunder A47D 7/04
108/152
5,039,046 A * 8/1991 Brewster A47F 7/28
248/105
D399,381 S * 10/1998 Hoernig D6/566
D449,480 S * 10/2001 Snell D6/525
D450,213 S * 11/2001 Snell D6/566
D472,750 S * 4/2003 Clucas D6/525
D551,455 S * 9/2007 Norvell D3/306

D554,417 S * 11/2007 Thorsteinsson D6/566
D554,419 S * 11/2007 Thompson D6/566
D559,024 S * 1/2008 Tau D6/566
D563,708 S * 3/2008 Snell D6/566
D608,599 S * 1/2010 Goodman D7/601
D629,610 S * 12/2010 Goodman D3/306

(Continued)

OTHER PUBLICATIONS

Amazon.com, Spectrum Diversified 09524 Leaf Sponge & Brush
Cradle, Oct. 2, 2015, [https://www.amazon.com/Spectrum-Diversi-
fied-09524-Sponge-Cradle/dp/B0105KE9PG/ref=sr_1_
2?ie=UTF8&qid=1472839317&sr=8-2
&keywords=leaf+suction+sponge+and+bath+cradle.*](https://www.amazon.com/Spectrum-Diversified-09524-Sponge-Cradle/dp/B0105KE9PG/ref=sr_1_2?ie=UTF8&qid=1472839317&sr=8-2&keywords=leaf+suction+sponge+and+bath+cradle.*)

(Continued)

Primary Examiner — David Muller
Assistant Examiner — Nathan Johnston
(74) *Attorney, Agent, or Firm* — Benesch, Friedlander,
Coplan & Aronoff LLP

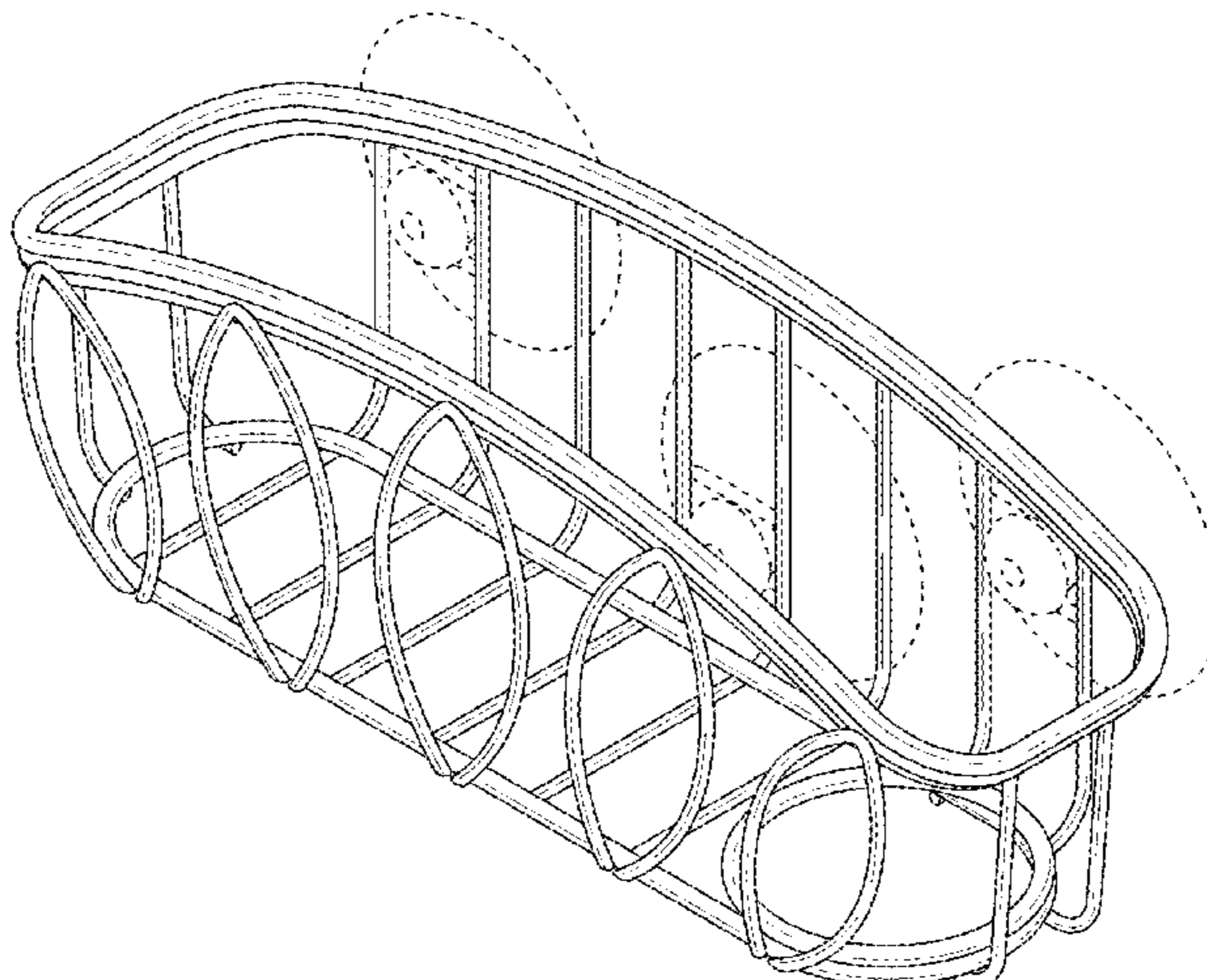
(57) **CLAIM**

What is claimed is the ornamental design for a sponge and
brush caddy, as shown and described.

DESCRIPTION

FIG. 1 is a perspective view of a sponge and brush caddy
showing the new design;
FIG. 2 is a front elevation view thereof;
FIG. 3 is a rear elevation view thereof;
FIG. 4 is a top plan view thereof;
FIG. 5 is a bottom plan view thereof;
FIG. 6 is a right side elevation view thereof;
FIG. 7 is a left side elevation view thereof; and,
FIG. 8 is a cross-sectional view taken along line 8-8 of FIG.
6.
The broken line showing of parts of the drawings is included
for the purpose of illustrating portions of the sponge and
brush cradle and form no part of the claimed design.

1 Claim, 4 Drawing Sheets



(56)

References Cited

U.S. PATENT DOCUMENTS

D632,081	S	*	2/2011	Klein	D3/306
D634,121	S	*	3/2011	Goodman	D3/306
D637,850	S	*	5/2011	Ghiorghie	D3/306
D648,130	S	*	11/2011	Goodman	D3/306
D648,131	S	*	11/2011	Goodman	D3/306
8,186,521	B2	*	5/2012	Yu	A47B 55/02 211/106
D675,049	S	*	1/2013	Goodman	D6/513
D675,466	S	*	2/2013	Goodman	D6/566
D697,371	S	*	1/2014	Goodman	D3/306
D701,397	S	*	3/2014	Snider	D6/566
D710,628	S	*	8/2014	Goodman	D6/566
2012/0037648	A1	*	2/2012	Goodman	A47G 19/30 220/668

OTHER PUBLICATIONS

Spectrum Diversified.com, Leaf Suction Sponge & Brush Cradle, Aug. 27, 2016, <http://www.spectrumdiversified.com/products/leaf-suction-sponge-brush-cradle>.*

* cited by examiner

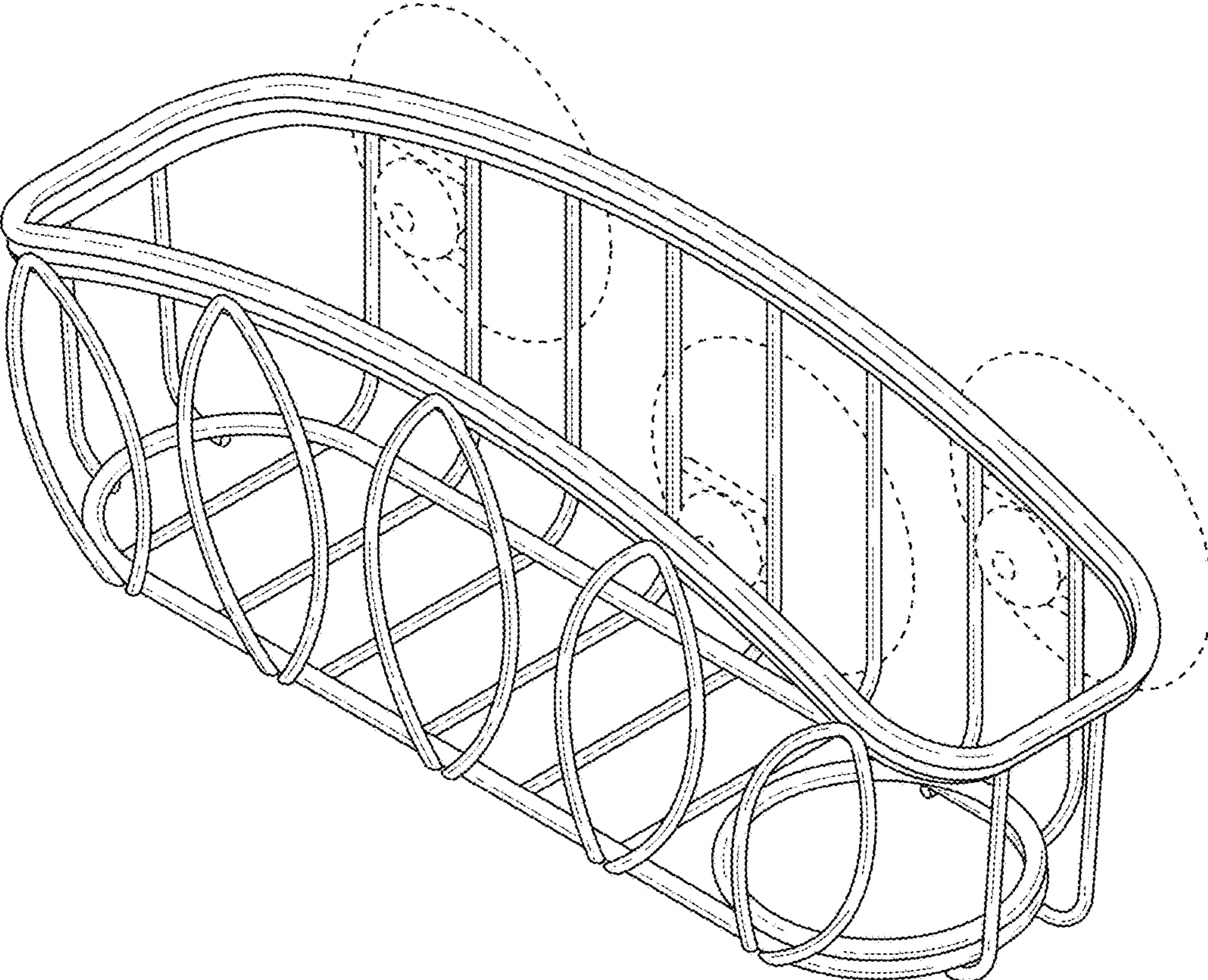


FIG. 1

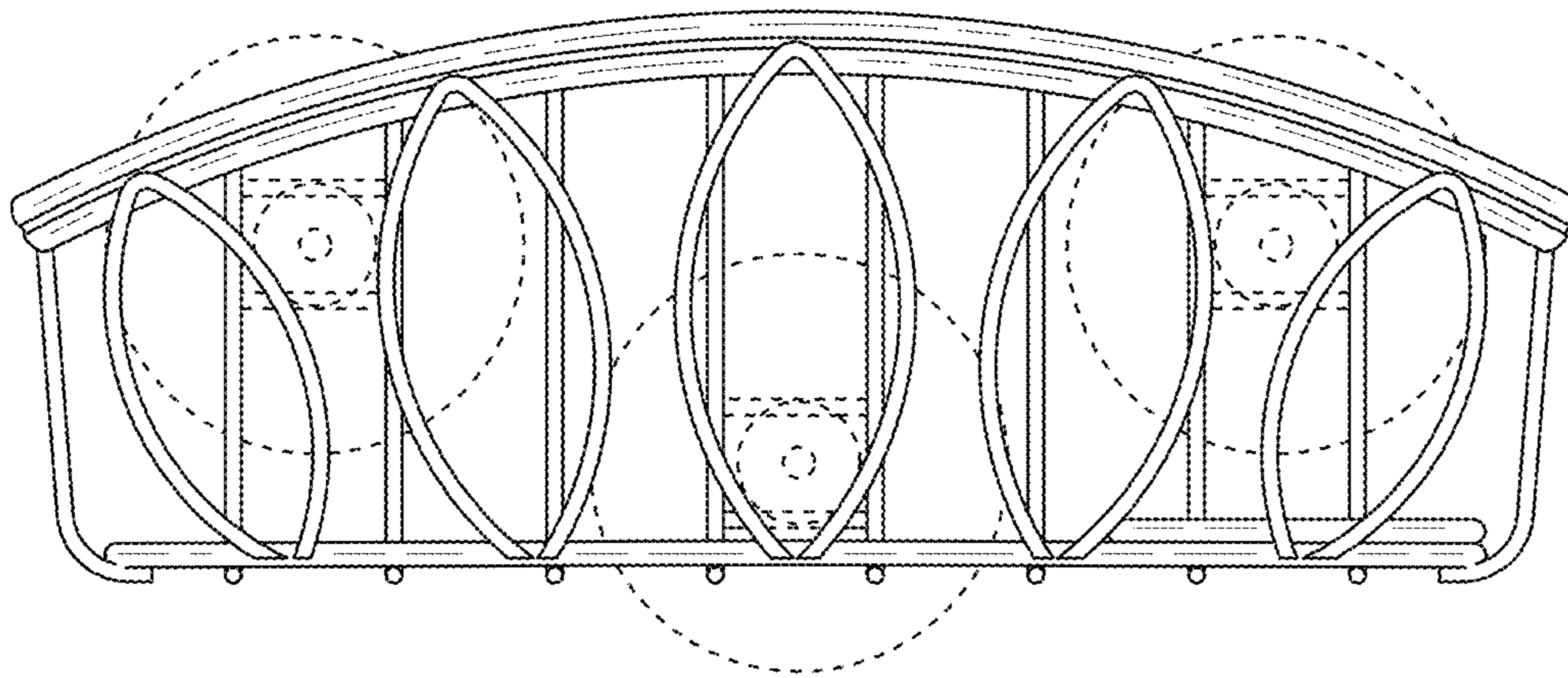


FIG. 2

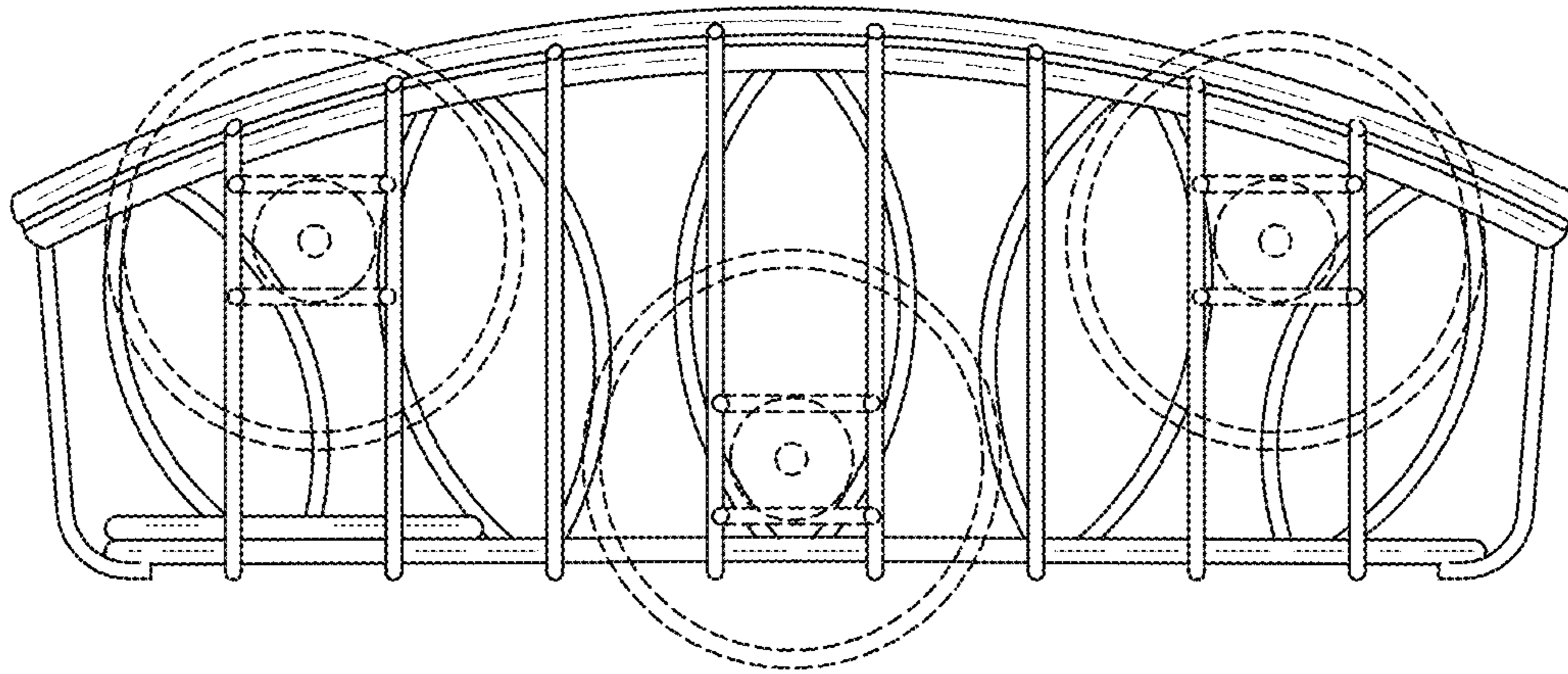


FIG. 3

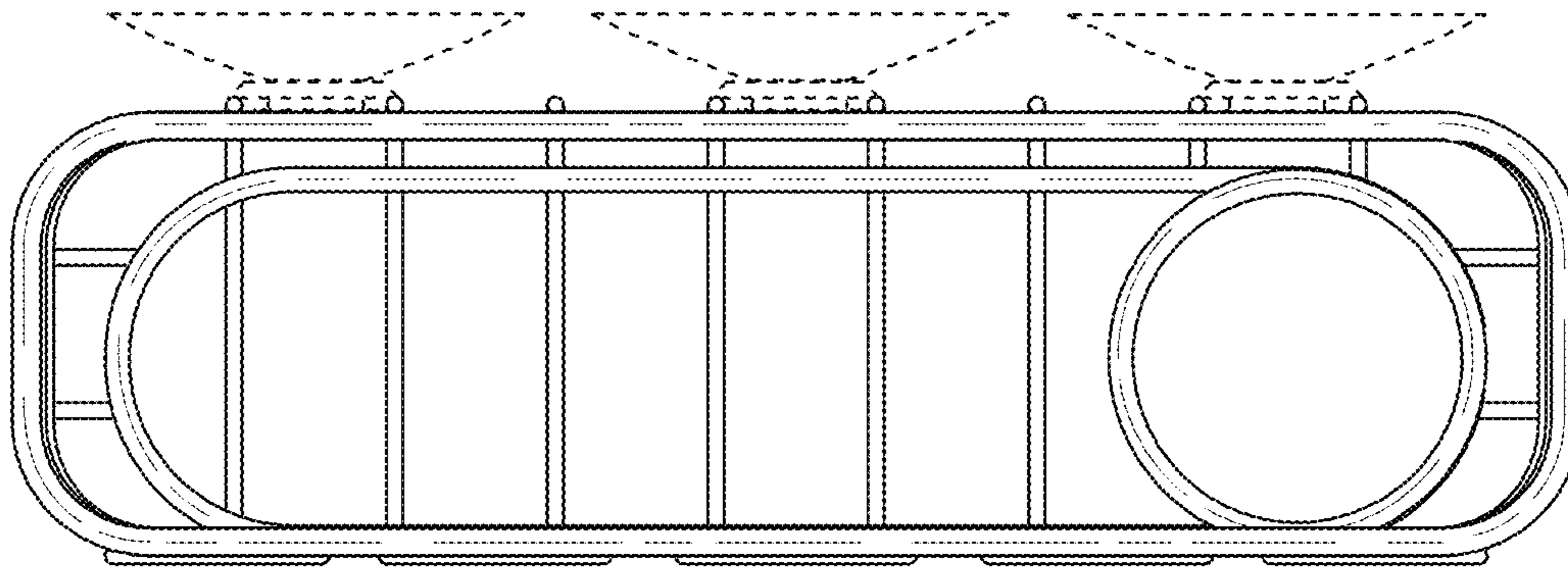


FIG. 4

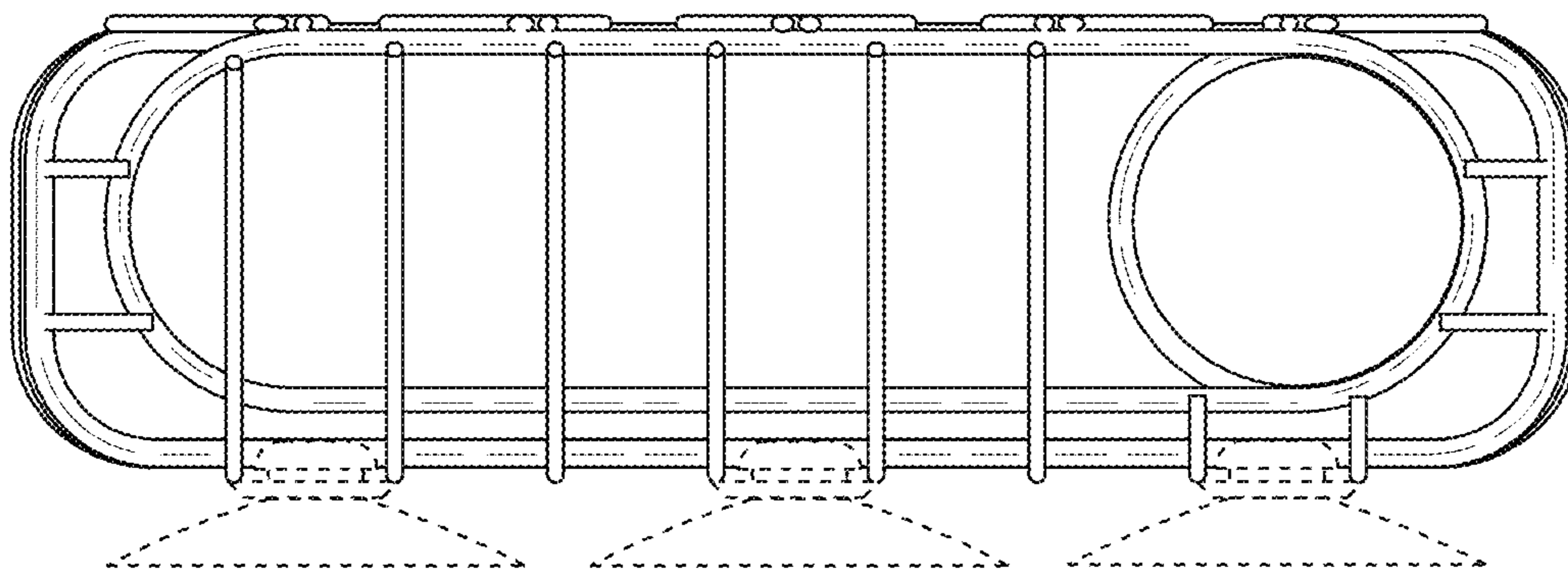


FIG. 5

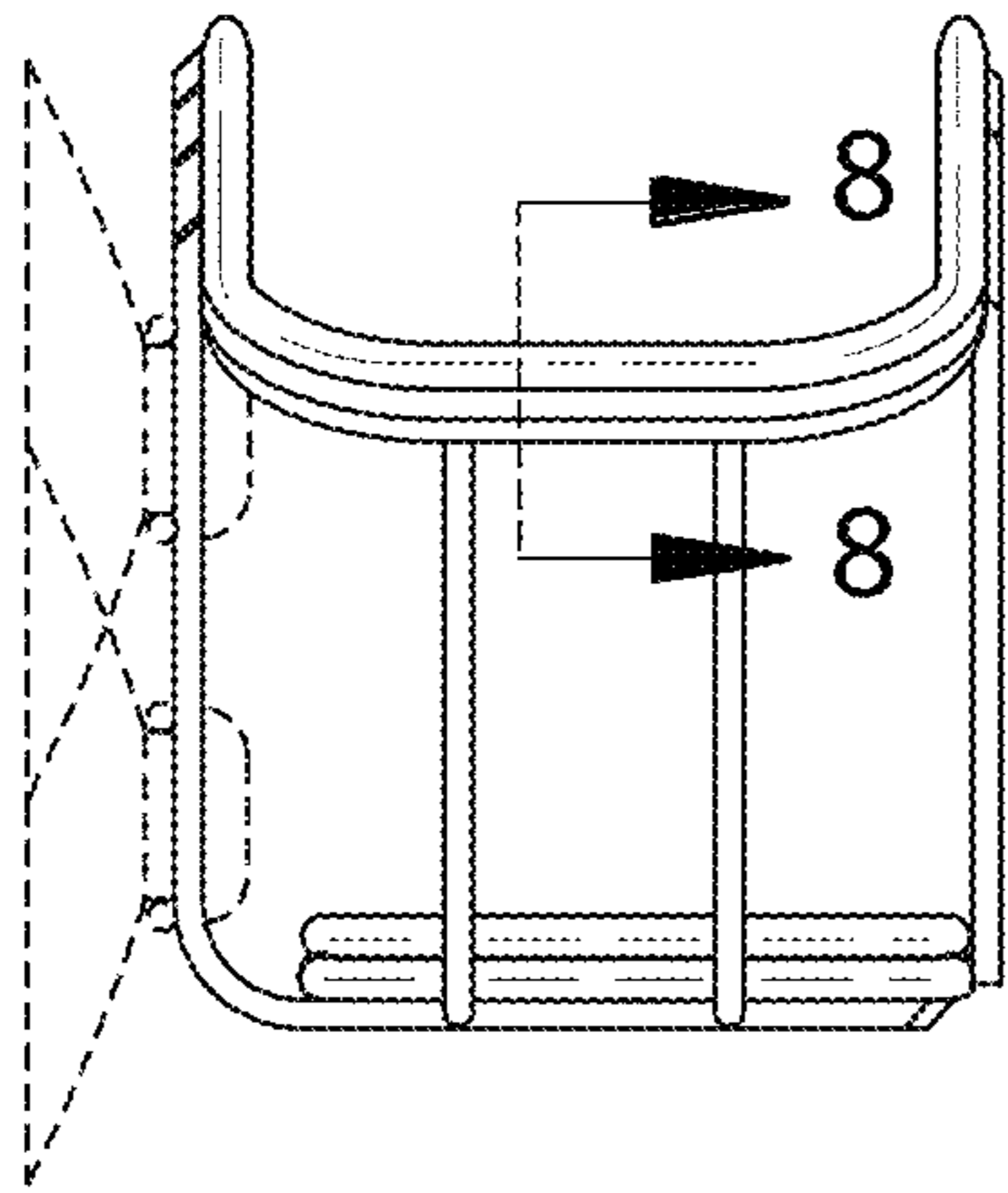


FIG. 6

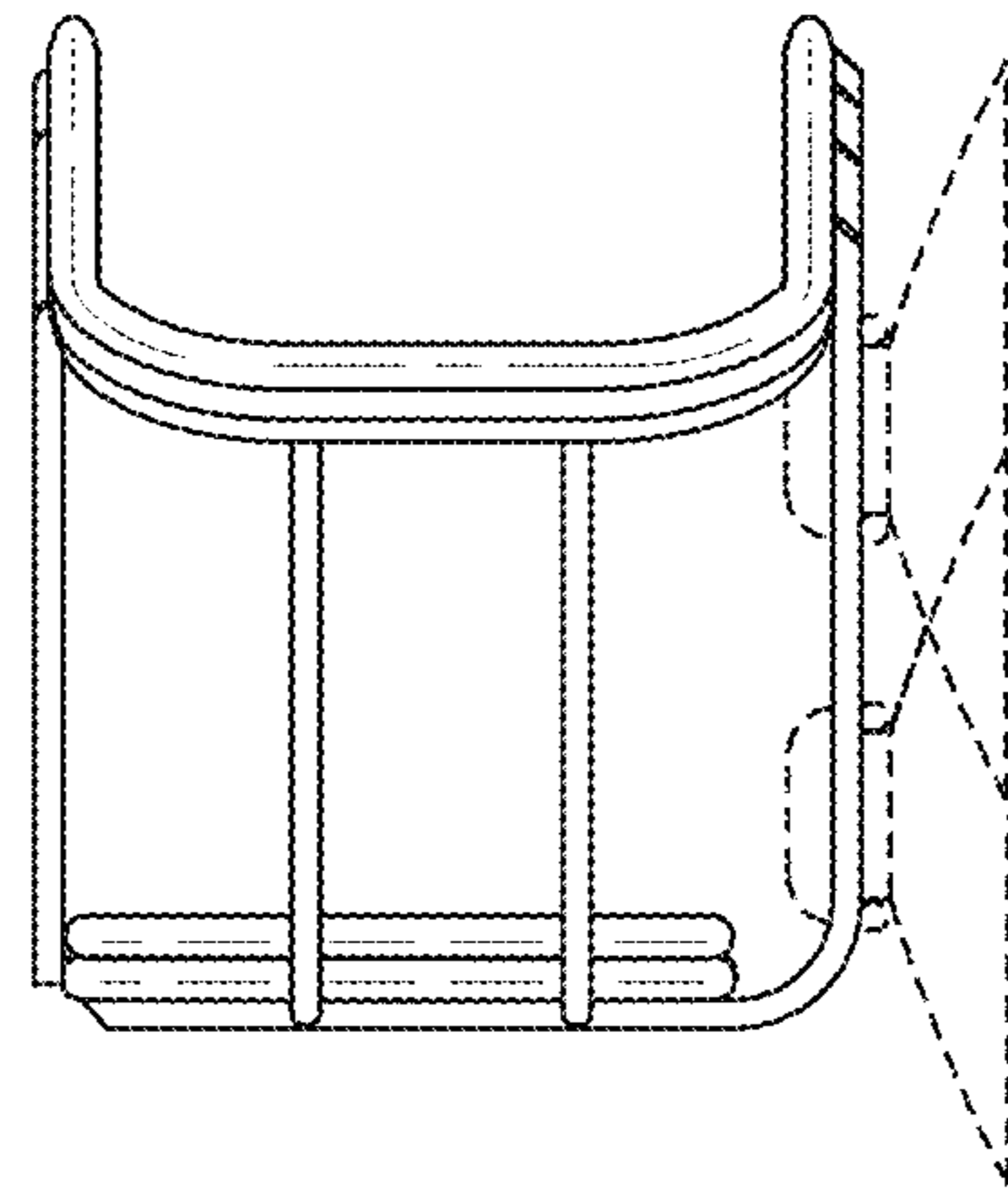


FIG. 7

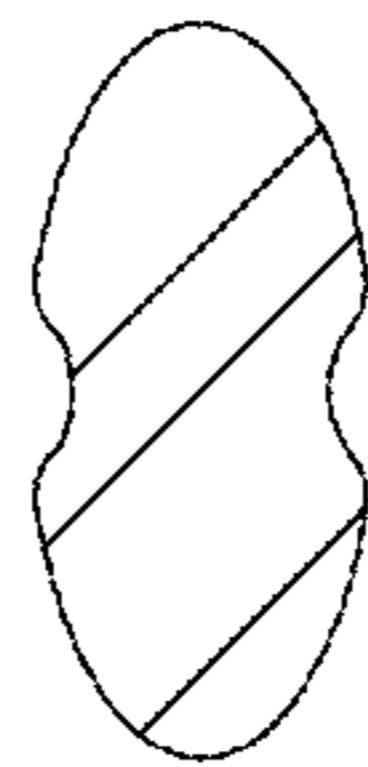


FIG. 8