



US00D785366S

(12) **United States Design Patent** (10) **Patent No.:** **US D785,366 S**
Andrew (45) **Date of Patent:** **** May 2, 2017**

(54) **WALL BAR**

(71) Applicant: **DELTA FAUCET COMPANY,**
Indianapolis, IN (US)

(72) Inventor: **Mercedita Andrew,** Indianapolis, IN
(US)

(73) Assignee: **DELTA FAUCET COMPANY,**
Indianapolis, IN (US)

(**) Term: **15 Years**

(21) Appl. No.: **29/551,141**

(22) Filed: **Jan. 11, 2016**

(51) **LOC (10) Cl.** **06-04**

(52) **U.S. Cl.**
USPC **D6/549**

(58) **Field of Classification Search**
USPC D6/518-524, 546-550, 574; D8/300,
D8/315, 370; 108/28-29; 211/13.1, 16,
211/85.5, 86.01, 87.01, 88.04, 100, 105.1,
211/105.2, 106, 106.1, 113, 123, 181.1,
211/182-183; 242/570, 590, 595-598;
248/175, 176.1, 200, 201, 205.1, 251,
248/302, 309.1, 315
CPC A47K 10/10; A47K 10/04; A47K 2201/02;
A47K 2201/00; Y10S 16/40; Y10S 16/41;
Y10T 16/458; Y10T 16/462; Y10T
16/513

See application file for complete search history.

(56) **References Cited**

U.S. PATENT DOCUMENTS

D254,461 S * 3/1980 Tegner D6/549
D466,741 S * 12/2002 Moore D6/549
D478,759 S * 8/2003 Hoernig D6/549
D516,350 S * 3/2006 Chen D6/549
D771,408 S * 11/2016 Garland D6/549

* cited by examiner

Primary Examiner — Wan Laymon

Assistant Examiner — Mark Booker

(74) *Attorney, Agent, or Firm* — Edgar A. Zarins; Nirav
D. Parikh

(57) **CLAIM**

The ornamental design for a wall bar, as shown and
described.

DESCRIPTION

FIG. 1 is a perspective view of a wall bar showing my new
design;

FIG. 2 is a front view thereof;

FIG. 3 is a left side view thereof;

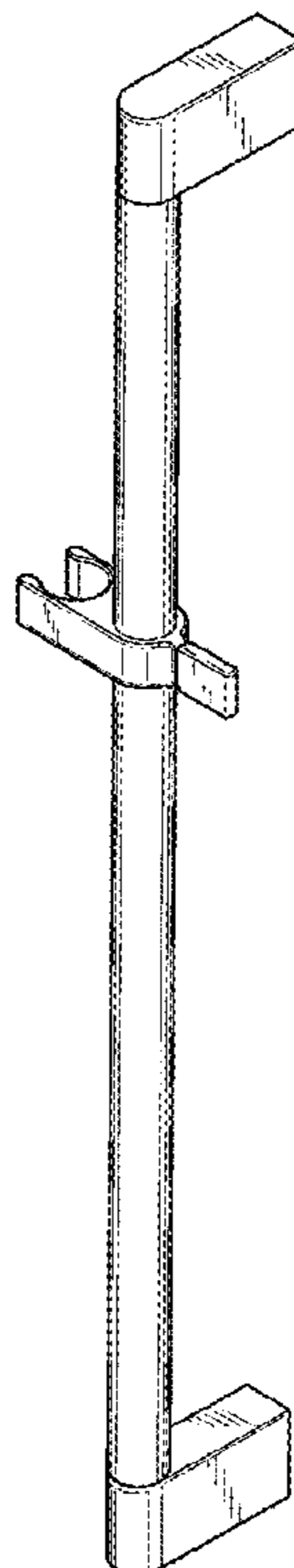
FIG. 4 is a rear view thereof;

FIG. 5 is a right side view thereof; and,

FIG. 6 is an end view thereof, the opposite end being a
mirror image of the end shown.

The broken line showing in the figures is included for the
purpose of illustrating portions of the wall bar and form no
part of the claimed design.

1 Claim, 2 Drawing Sheets



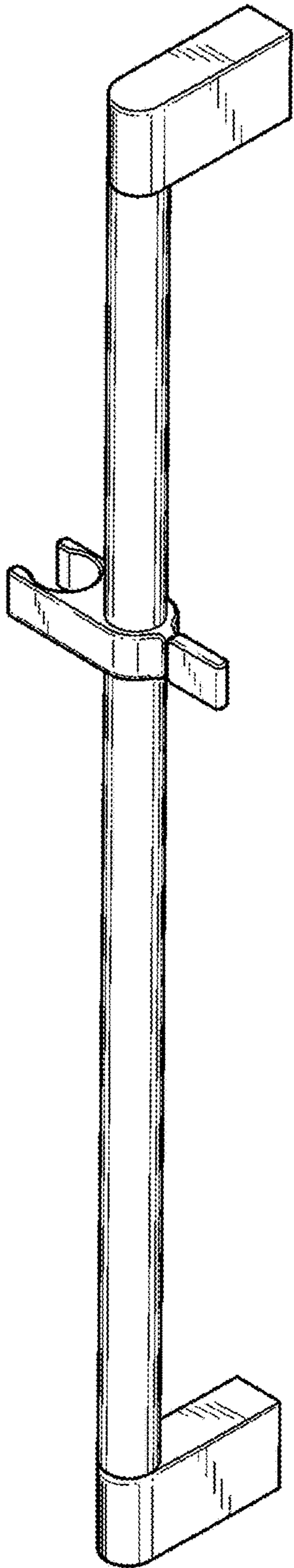


Fig-1

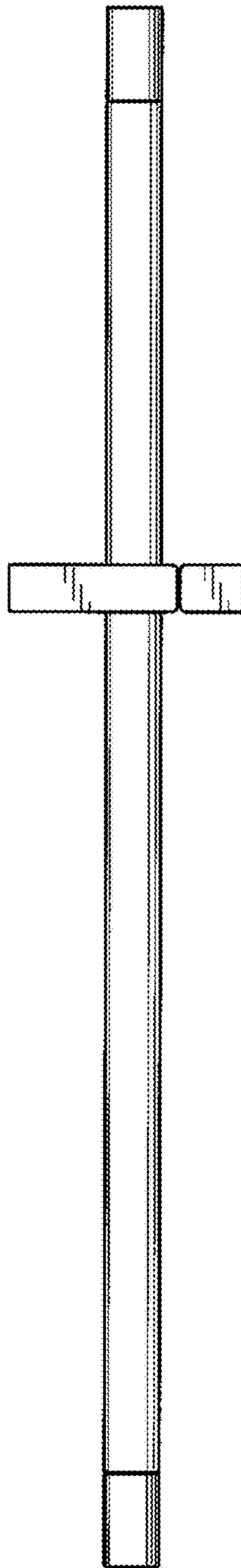


Fig-2

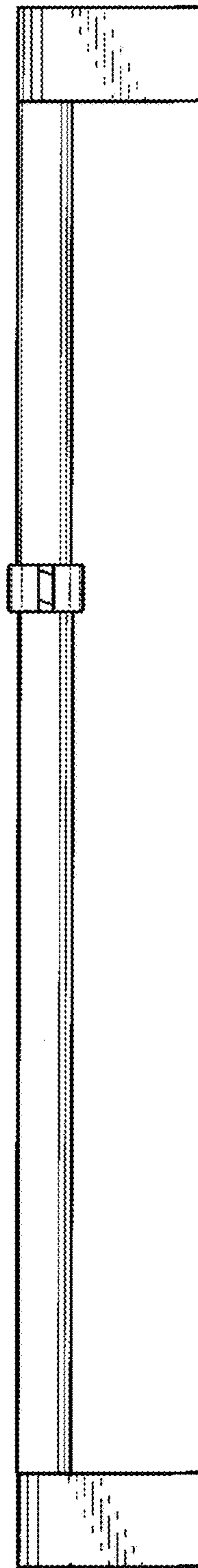


Fig-3

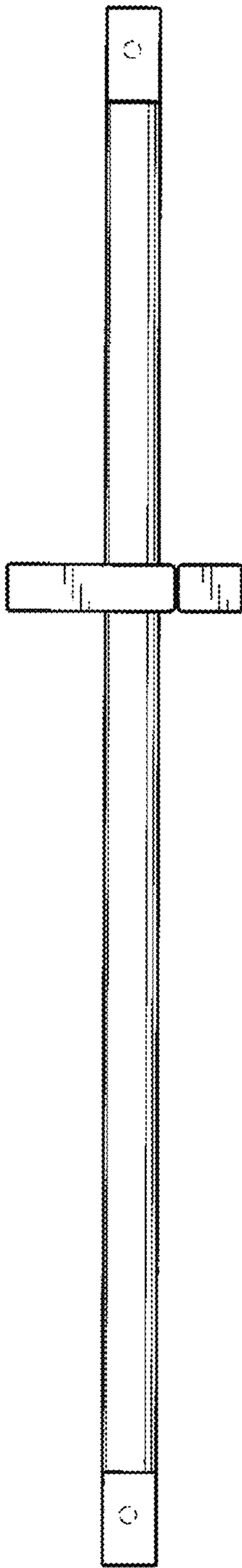


Fig-4

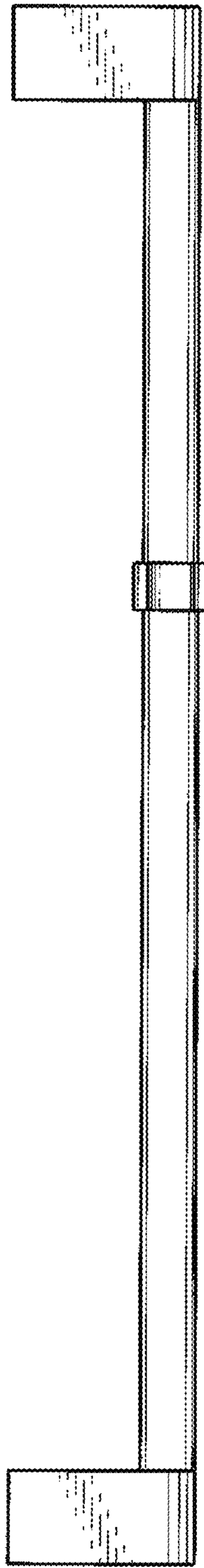


Fig-5

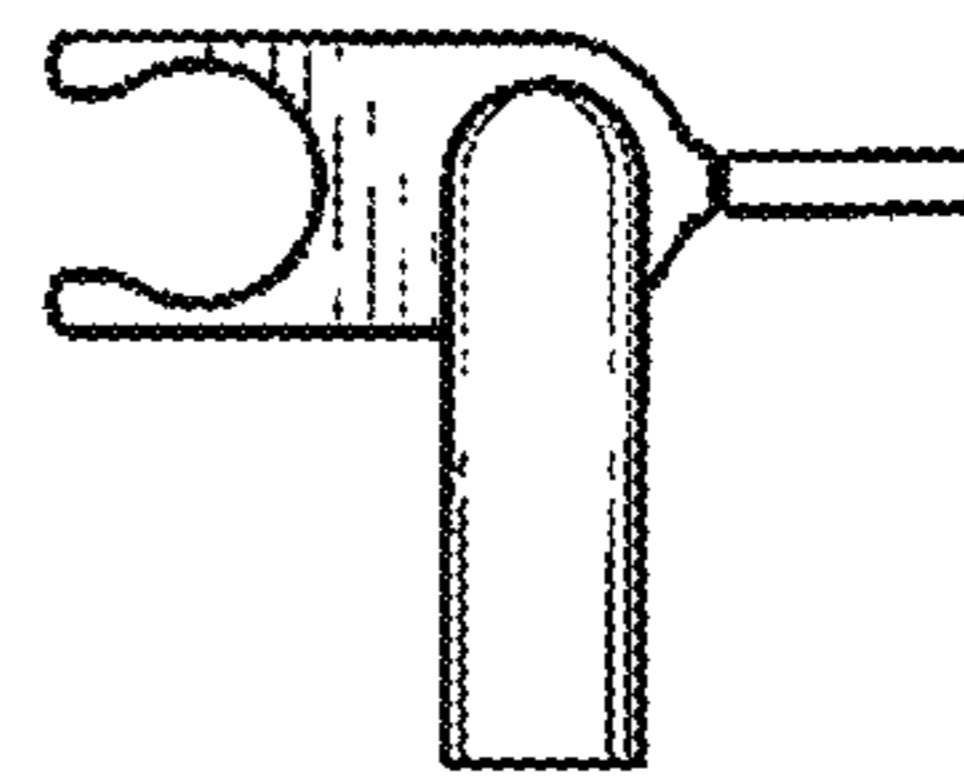


Fig-6