



US00D785365S

(12) **United States Design Patent** (10) **Patent No.:** **US D785,365 S**
Newlin (45) **Date of Patent:** **** May 2, 2017**

(54) **RAZOR STAND**
(71) Applicant: **HF Global, Inc.**, New York, NY (US)
(72) Inventor: **Scott Newlin**, Brooklyn, NY (US)
(73) Assignee: **Harry's, Inc.**, New York, NY (US)
(**) Term: **15 Years**

D505,746 S * 5/2005 Chen D27/141
D602,802 S * 10/2009 Papadimitriou D11/26
D605,976 S * 12/2009 Beier D11/184
D713,405 S * 9/2014 Akana D14/349
D736,186 S * 8/2015 Kauppila D14/225
D750,821 S * 3/2016 Rusay D26/37
D754,102 S * 4/2016 Sun D14/214
D754,109 S * 4/2016 Kelly D14/240
D760,691 S * 7/2016 Paslawski D14/214
D761,586 S * 7/2016 Kulshreshtha D6/526

(21) Appl. No.: **29/532,891**
(22) Filed: **Jul. 10, 2015**
(51) **LOC (10) Cl.** **28-03**
(52) **U.S. Cl.**
USPC **D6/526**
(58) **Field of Classification Search**
USPC D6/526, 524, 528, 534, 540;
D9/748-749; D28/45, 46, 73; 206/208,
206/209, 228, 361; 211/66, 70.6, 87.01,
211/89.01, 86.01; 248/127, 176.1, 309.1,
248/312, 312.1, 314; D14/142, 168,
D14/203.1, 204-207, 210-214, 215-217,
D14/219-221, 223-229, 509; D21/332,
D21/349, 365, 372, 390, 391, 443, 457,
D21/498-500, 515, 691, 713
CPC B26B 19/3806; B26B 21/4012; B26B
21/4018; B26B 21/4025; B26B 21/4031;
B26B 19/382
See application file for complete search history.

OTHER PUBLICATIONS

Harry's, Inc., Harry's Razor Stand, retrieved on Sep. 1, 2016, MobileODT, URL: <https://www.harrys.com/products/razor-stand>, 2 pages.*

* cited by examiner

Primary Examiner — Wan Laymon
Assistant Examiner — Mark Booker
(74) *Attorney, Agent, or Firm* — Florek & Endres PLLC

(57) **CLAIM**

I claim the ornamental design for a razor stand, as shown and described.

DESCRIPTION

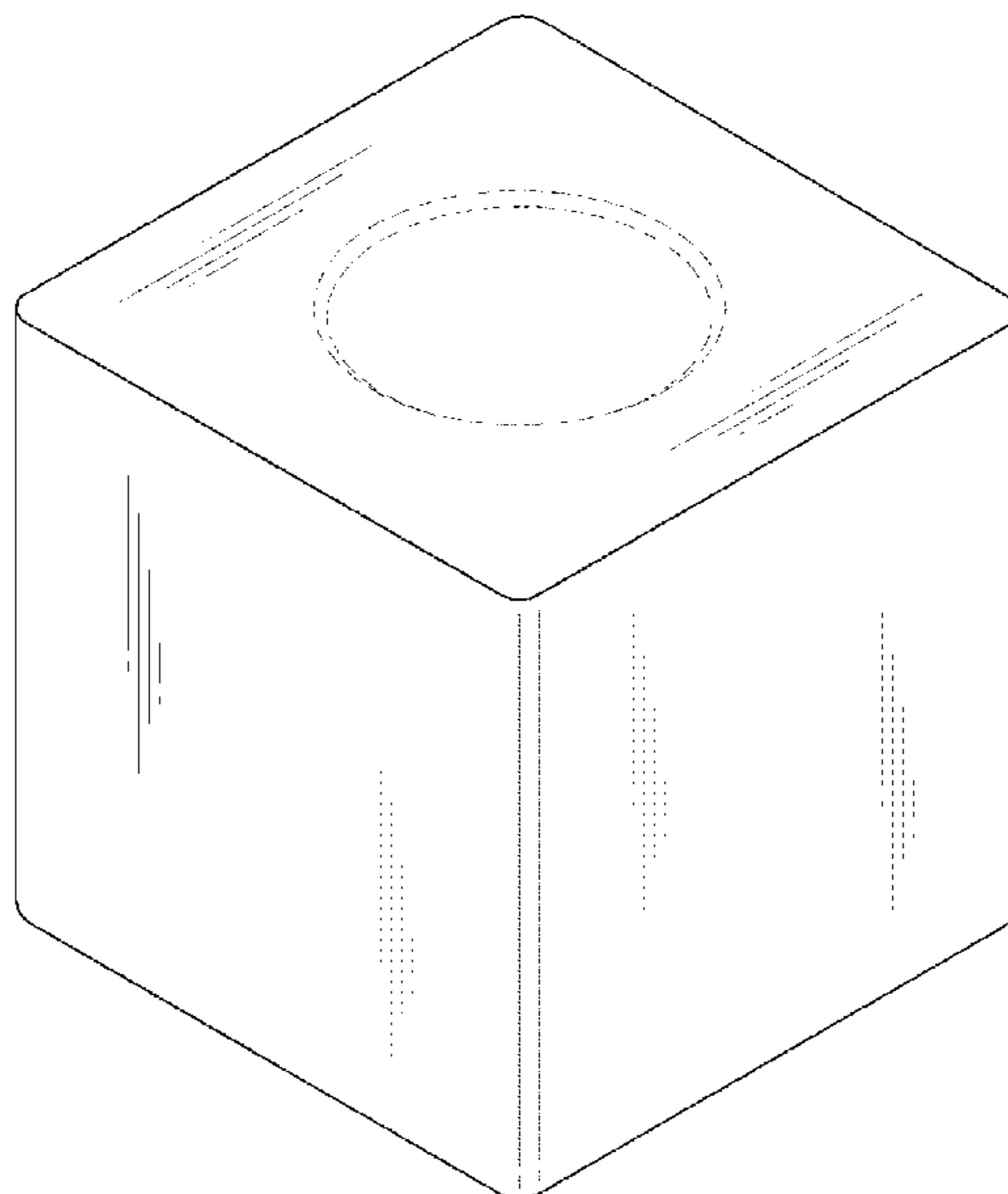
FIG. 1 is a perspective view of the razor stand of the present invention.
FIG. 2 is a front elevation of the razor stand of FIG. 1.
FIG. 3 is a rear elevation of the razor stand of FIG. 1.
FIG. 4 is a left side elevation of the razor stand of FIG. 1.
FIG. 5 is a right side elevation of the razor stand of FIG. 1.
FIG. 6 is a top plan view of the razor stand of FIG. 1; and, FIG. 7 is a bottom plan view of the razor stand of FIG. 1. The broken lines shown in the drawings form no part of the claimed design.

1 Claim, 4 Drawing Sheets

(56) **References Cited**

U.S. PATENT DOCUMENTS

D32,654 S * 5/1900 Kroder D8/367
D356,717 S * 3/1995 Smith D7/540
D410,543 S * 6/1999 Reif D24/155
D449,036 S * 10/2001 Weikel D14/214
D458,911 S * 6/2002 Kataoka D14/129
D502,225 S * 2/2005 Kotsonis D21/444



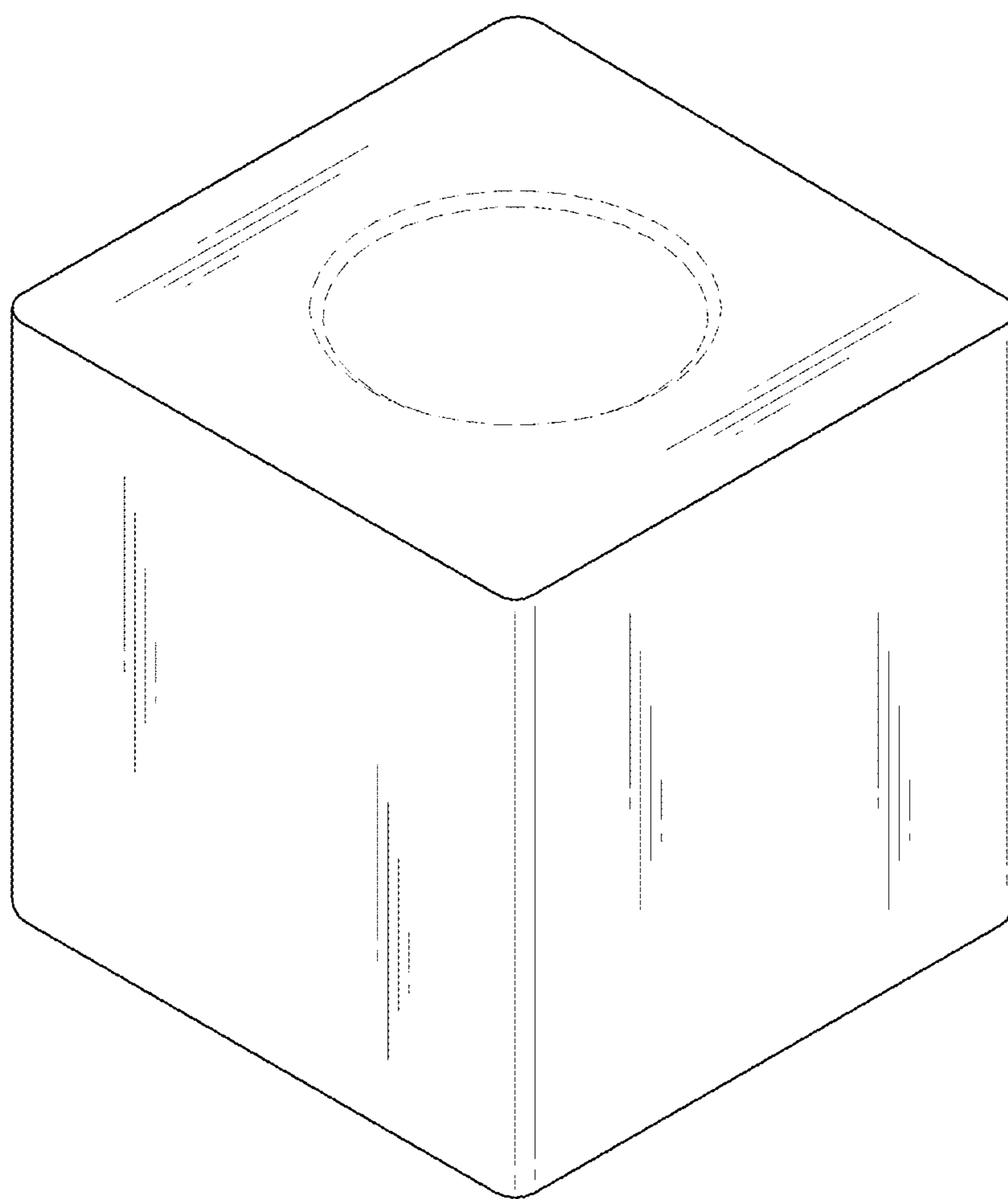


FIG. 1

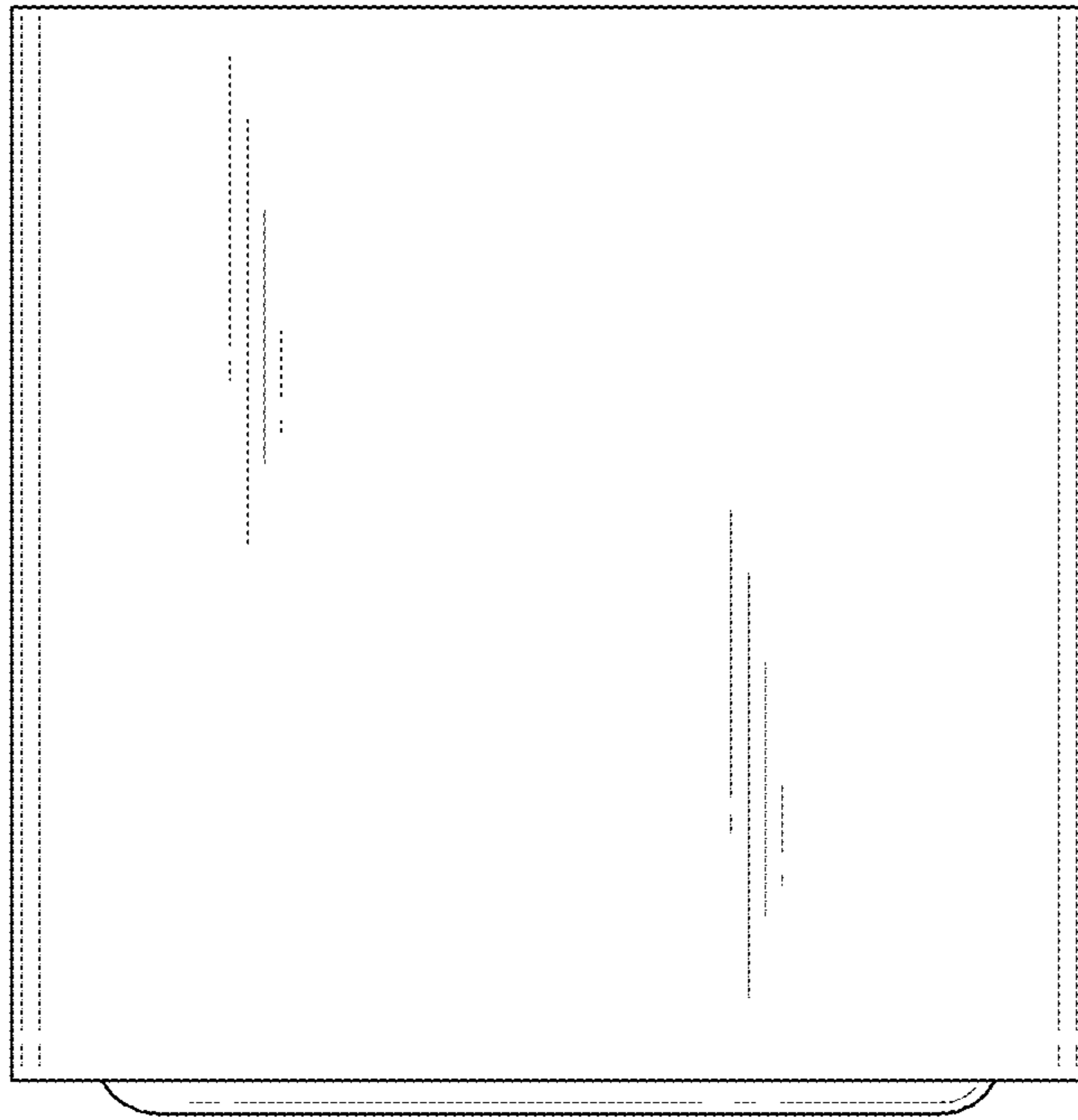


FIG. 2

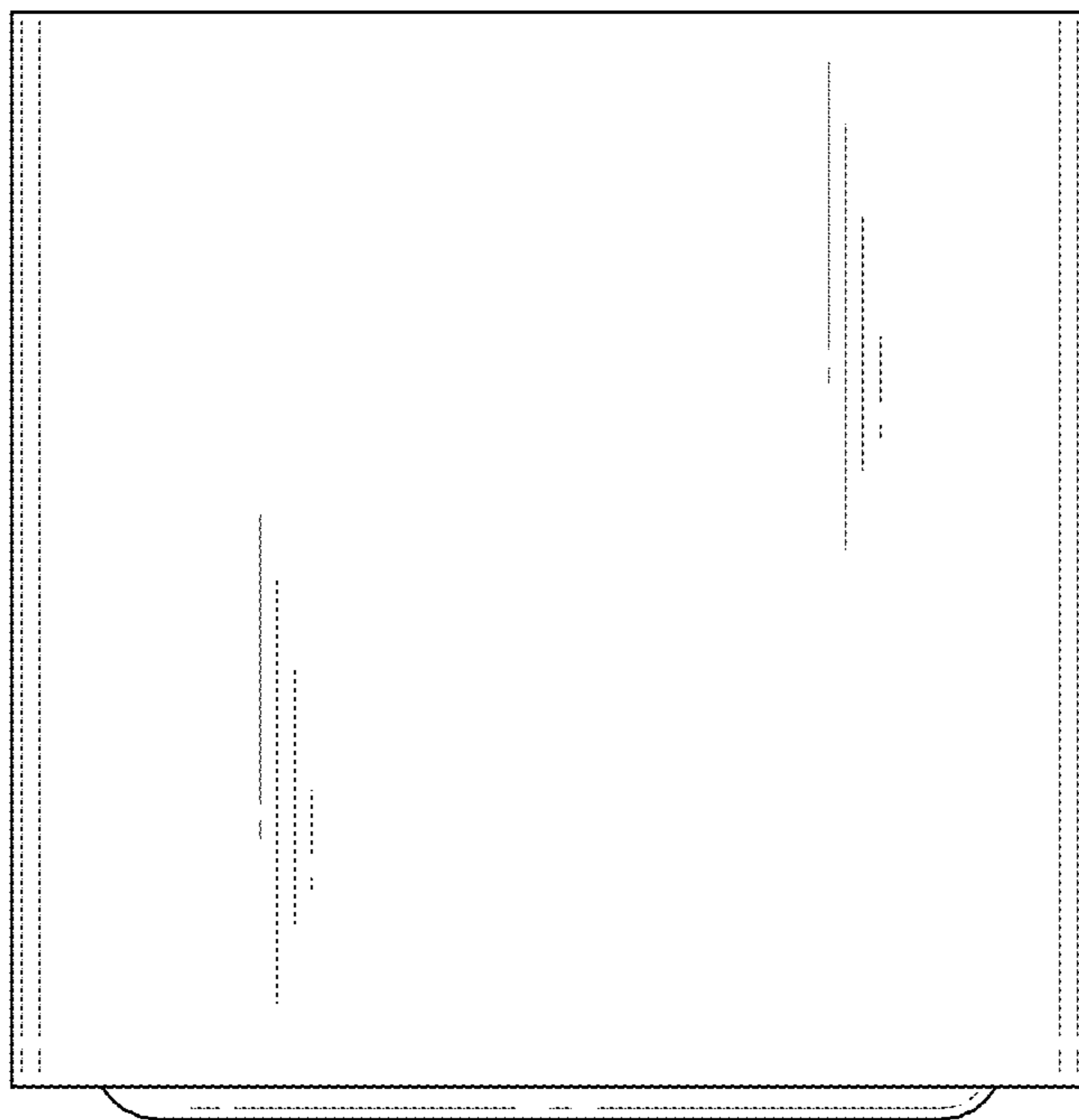


FIG. 3

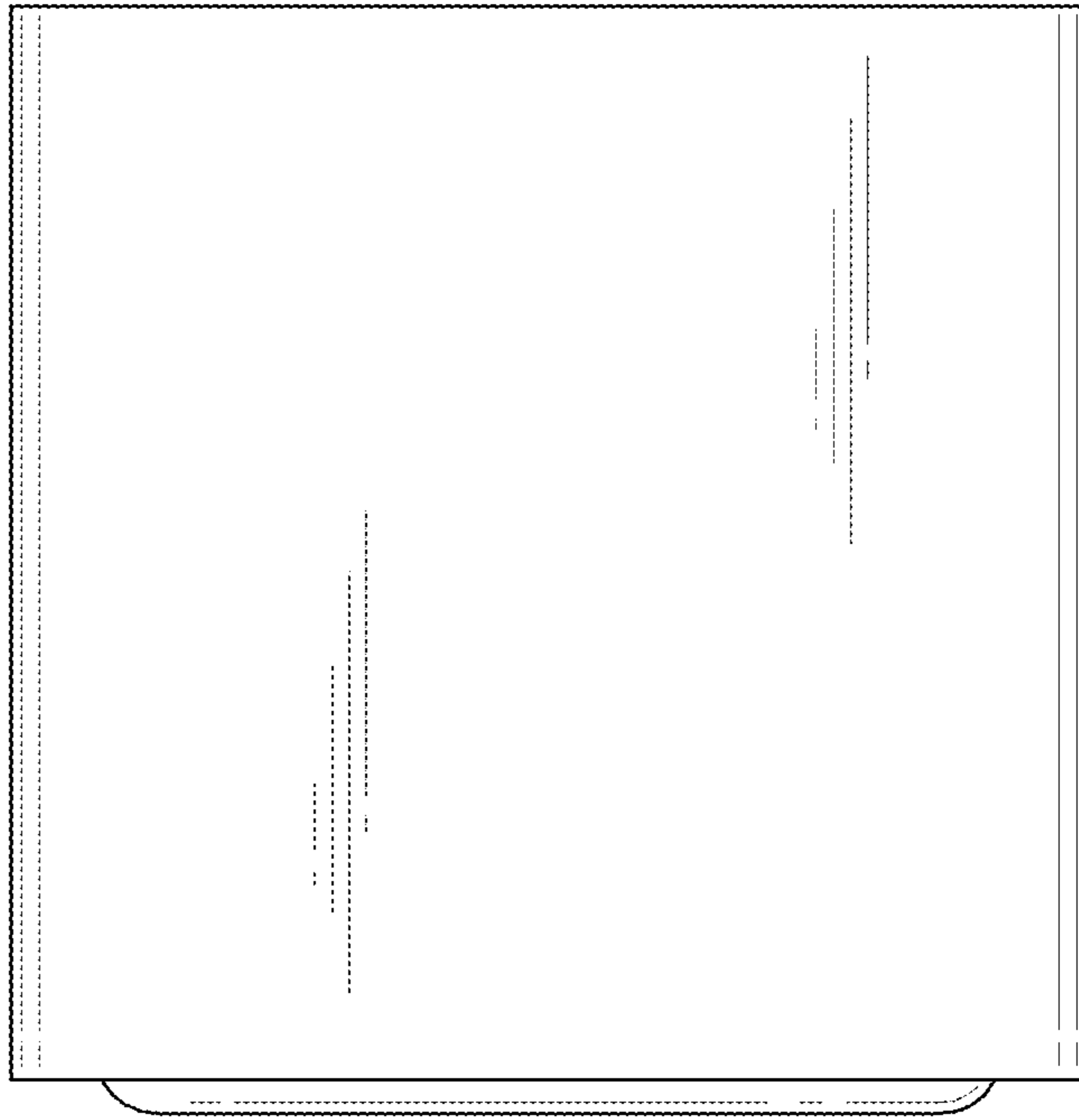


FIG. 4

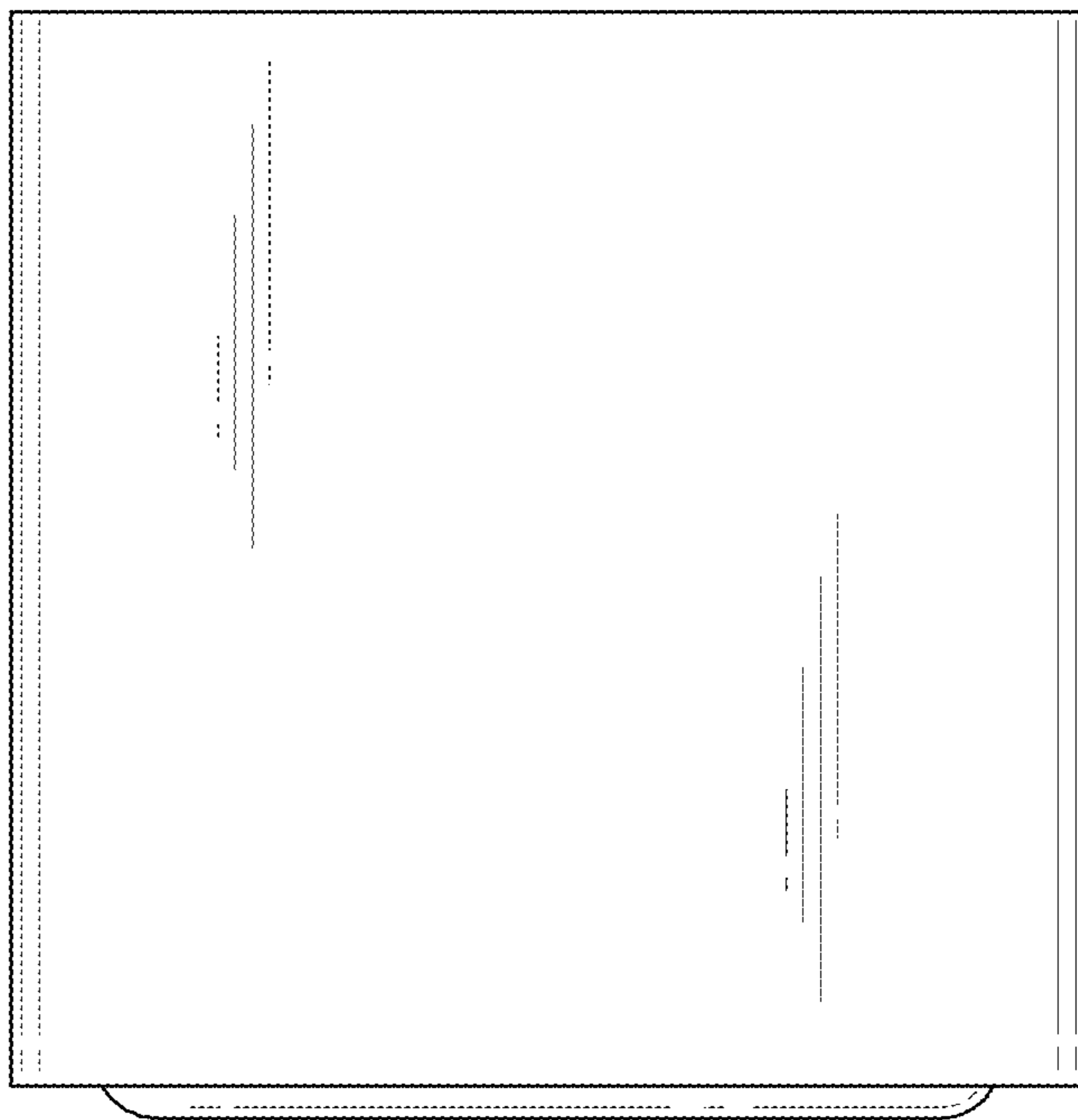


FIG. 5

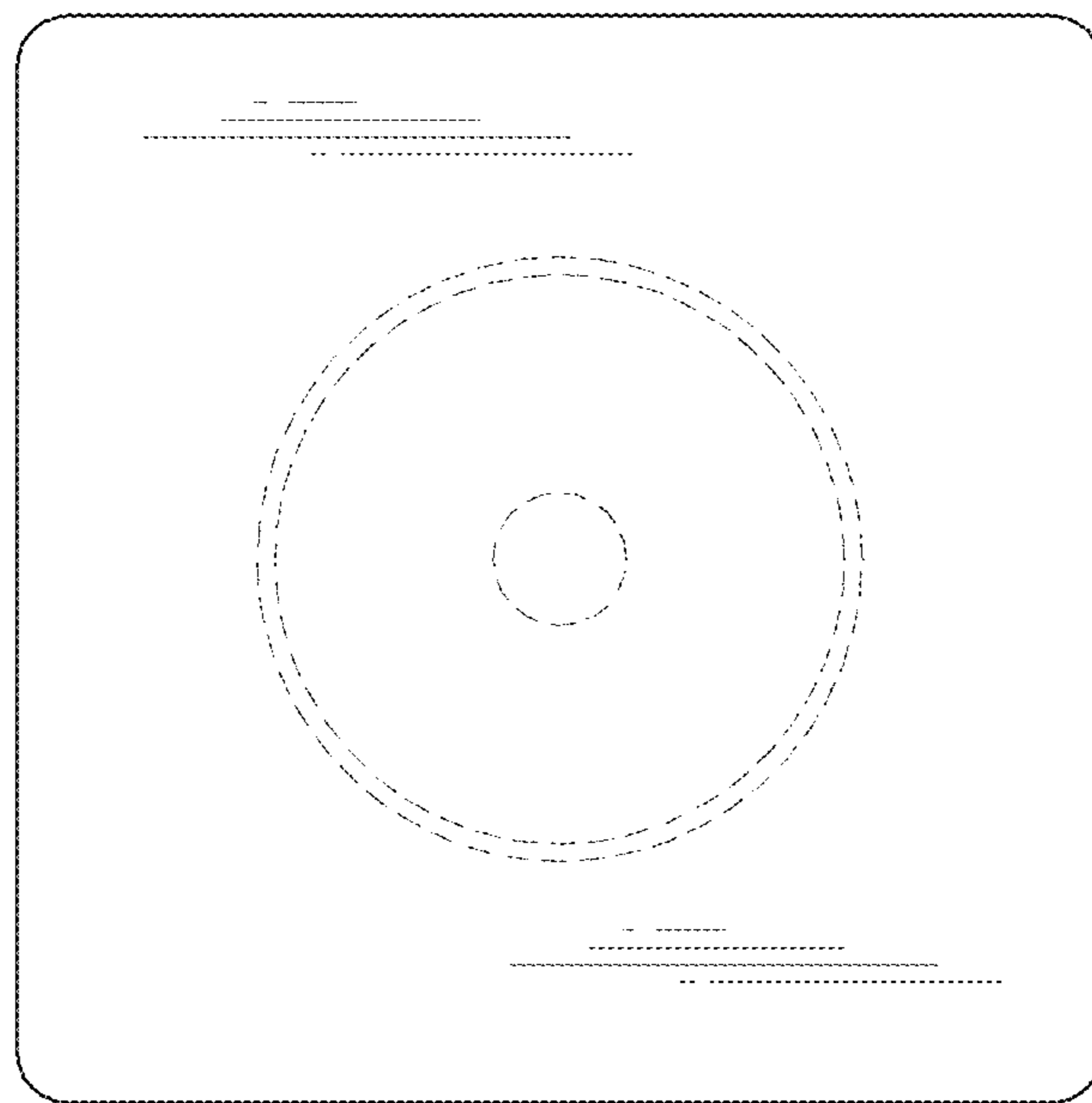


FIG. 6

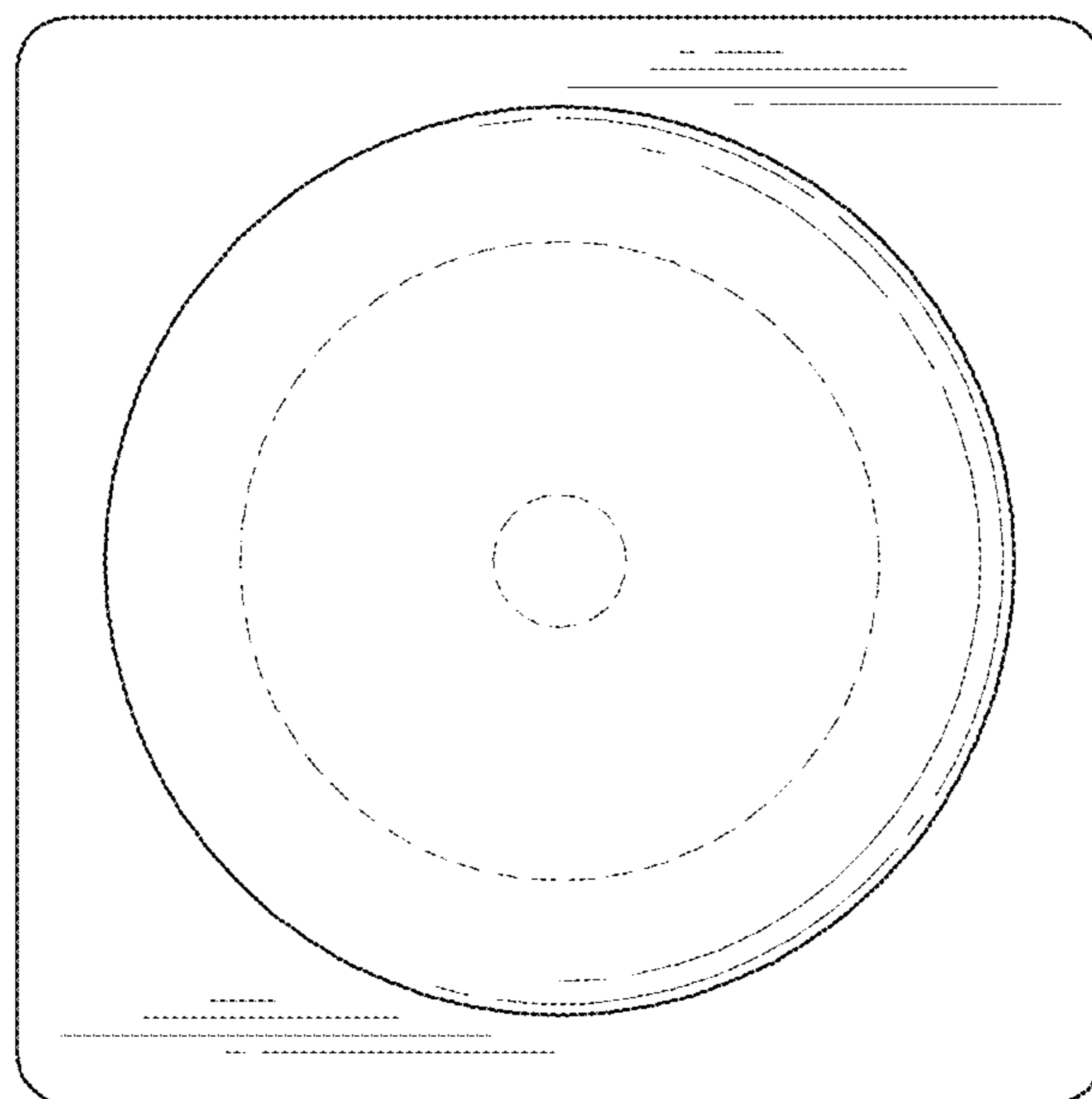


FIG. 7