



US00D785363S

(12) **United States Design Patent** (10) **Patent No.:** **US D785,363 S**
Khan (45) **Date of Patent:** **** May 2, 2017**

(54) **HOLDER FOR MOIST TOWELETTES**
(71) Applicant: **Sarita Khan**, Montgomery Center, VT (US)
(72) Inventor: **Sarita Khan**, Montgomery Center, VT (US)

7,185,865 B1 * 3/2007 Patrick A47K 10/185
211/71.01
D647,340 S * 10/2011 Stephens D6/518
9,125,532 B2 * 9/2015 Bechyne A47K 10/421
2015/0374182 A1 * 12/2015 Delaney A47K 10/421
221/1
2016/0023838 A1 * 1/2016 Chu B65B 7/26
221/1

(**) Term: **14 Years**

* cited by examiner

(21) Appl. No.: **29/520,177**

Primary Examiner — David Muller

(22) Filed: **Mar. 11, 2015**

Assistant Examiner — Nathan Johnston

(51) **LOC (10) Cl.** **07-07**

(74) *Attorney, Agent, or Firm* — Alan Coté; Green Mountain Innovation LLC

(52) **U.S. Cl.**
USPC **D6/518**

(57) **CLAIM**

(58) **Field of Classification Search**
USPC D6/515, 518–523; D3/201; 206/389,
206/391, 407, 409; 312/34.1, 34.8;
211/85.5, 59.2; 221/92, 97, 185, 282,
221/284; 242/159, 160.2, 550, 560, 590,
242/594, 59, 588, 598, 598.3, 598.65
CPC A47K 10/421; A47K 10/424; A47K
2010/3266; B65D 83/0805
See application file for complete search history.

I claim the ornamental design for holder for moist towelettes, as shown and described.

DESCRIPTION

(56) **References Cited**

U.S. PATENT DOCUMENTS

2,564,997 A * 8/1951 Rome B60R 7/084
211/50
4,411,374 A * 10/1983 Hotchkiss A47K 10/3827
221/45
D297,774 S * 9/1988 Sussman D28/76
5,219,421 A * 6/1993 Tipping B65D 83/0805
206/233
D389,682 S * 1/1998 Gene D6/518
D423,772 S * 5/2000 Cooper D3/201
D456,652 S * 5/2002 Smith D6/518
7,147,129 B1 * 12/2006 Menefield A61F 6/005
132/315

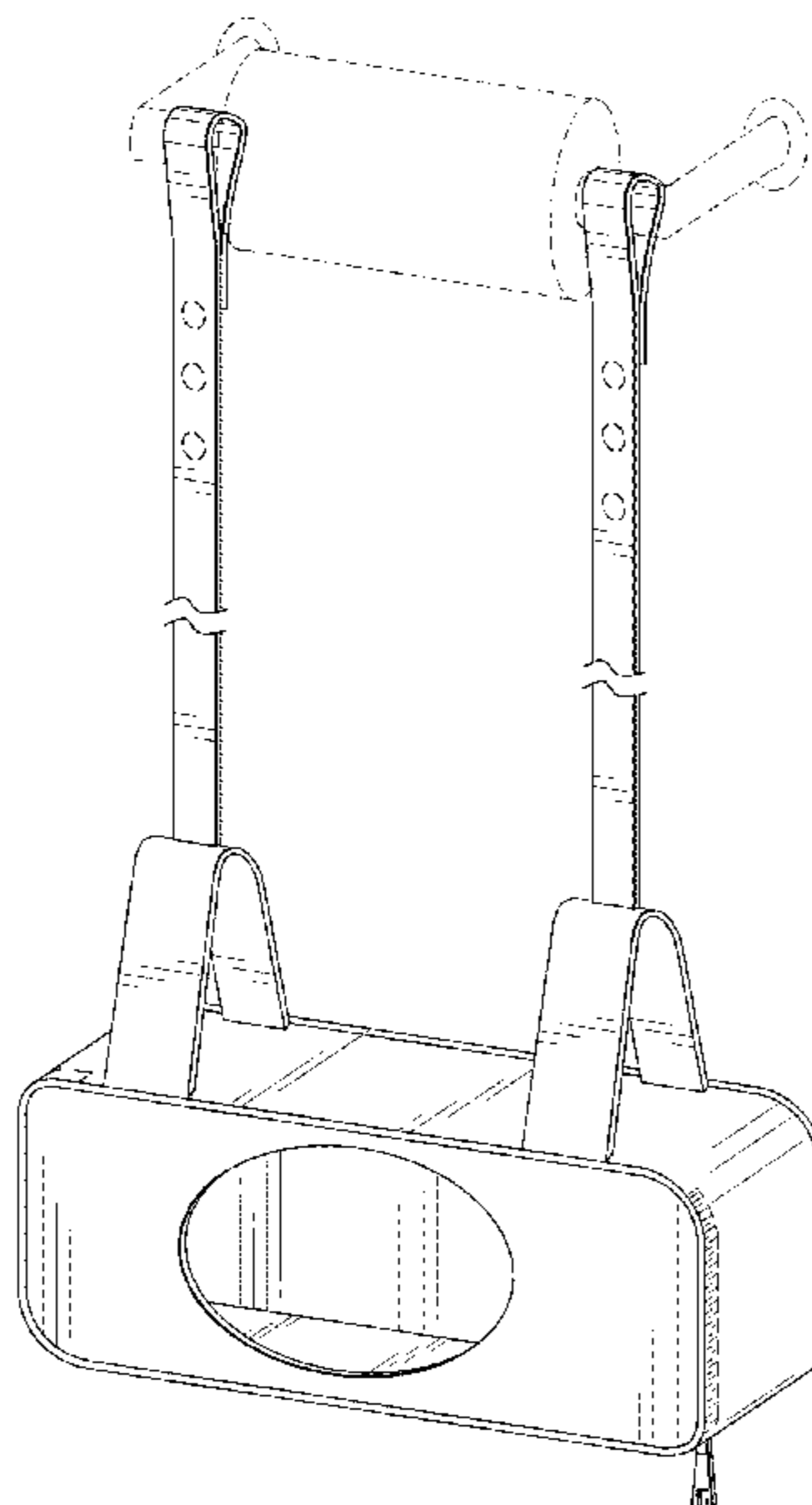
FIG. 1 is a front perspective view of holder for moist towelettes showing my new design;
FIG. 2 is a front elevation view thereof;
FIG. 3 is a right side elevation view thereof;
FIG. 4 is a top plan view thereof;
FIG. 5 is a bottom plan view thereof; and,
FIG. 6 is an alternate top view thereof.

The broken line showing of parts of the drawings is included for the purpose of illustrating use and environment and forms no part of the claimed design.

The scale of FIG. 1, FIG. 2, and FIG. 3 differs from the scale of FIG. 4, FIG. 5, and FIG. 6.

The holder for moist towelettes is shown with a symbolic break in its length. The appearance of any portion of the article between the break lines forms no part of the claimed design.

1 Claim, 4 Drawing Sheets



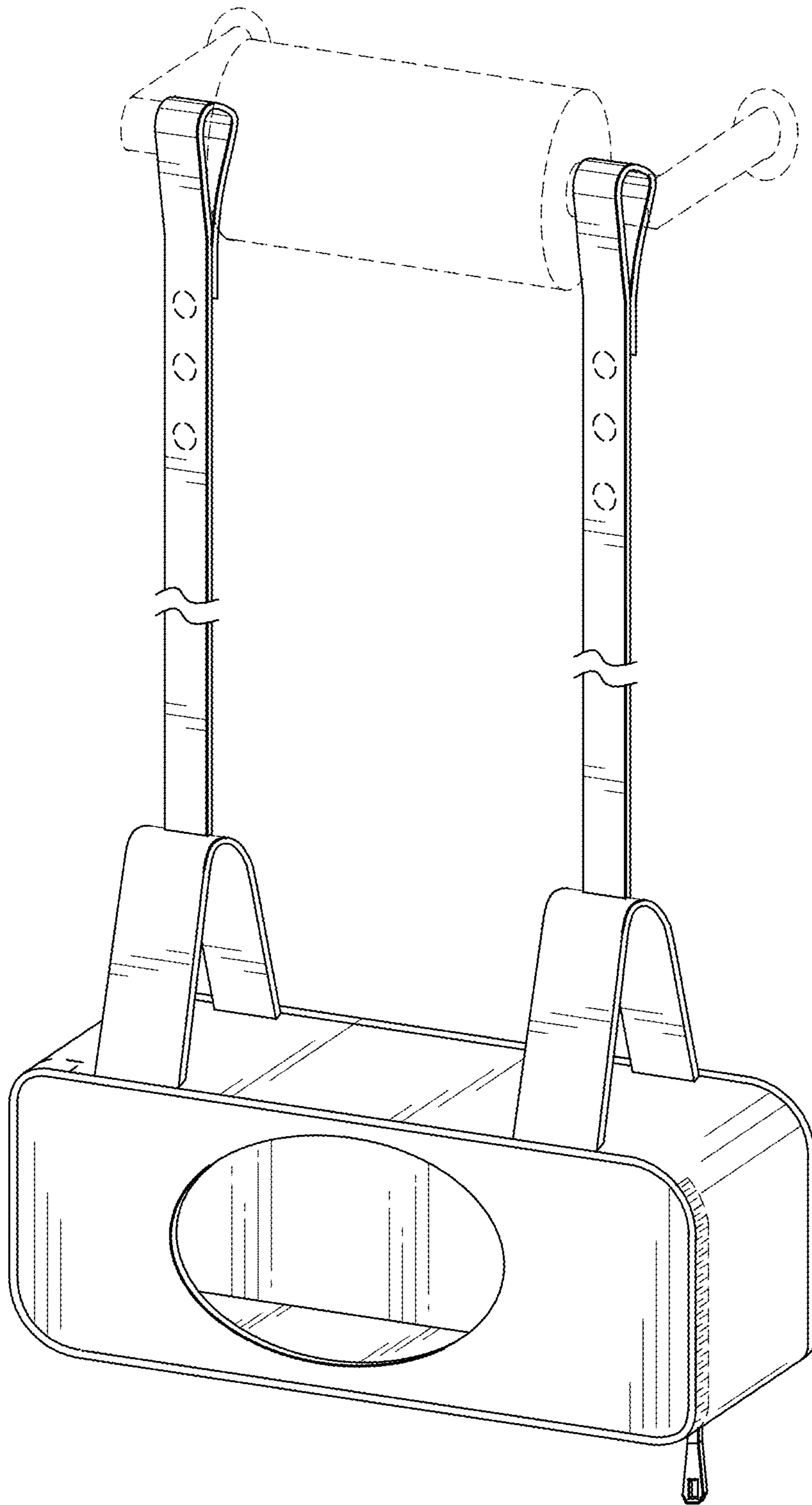


FIG. 1

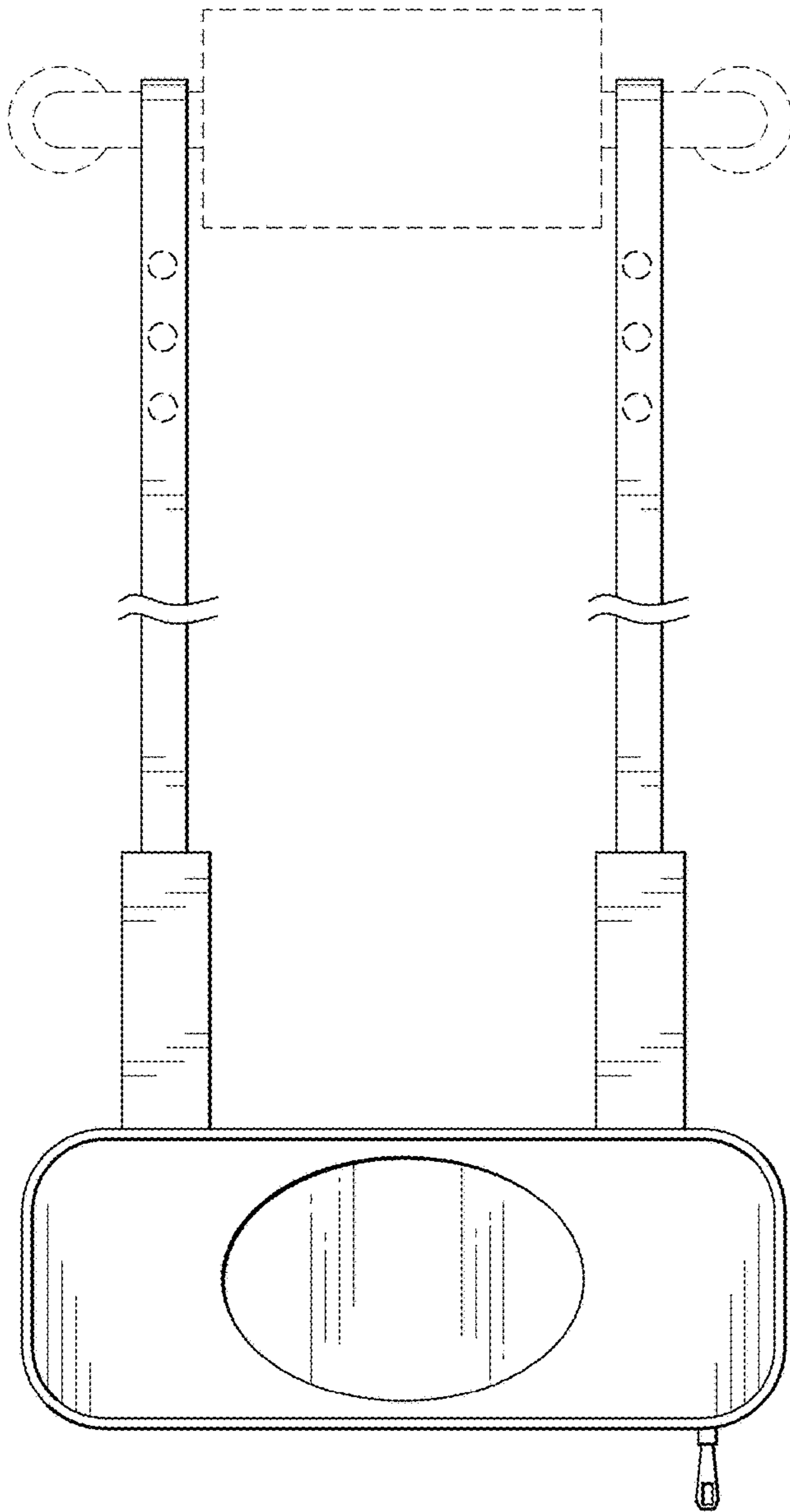


FIG. 2

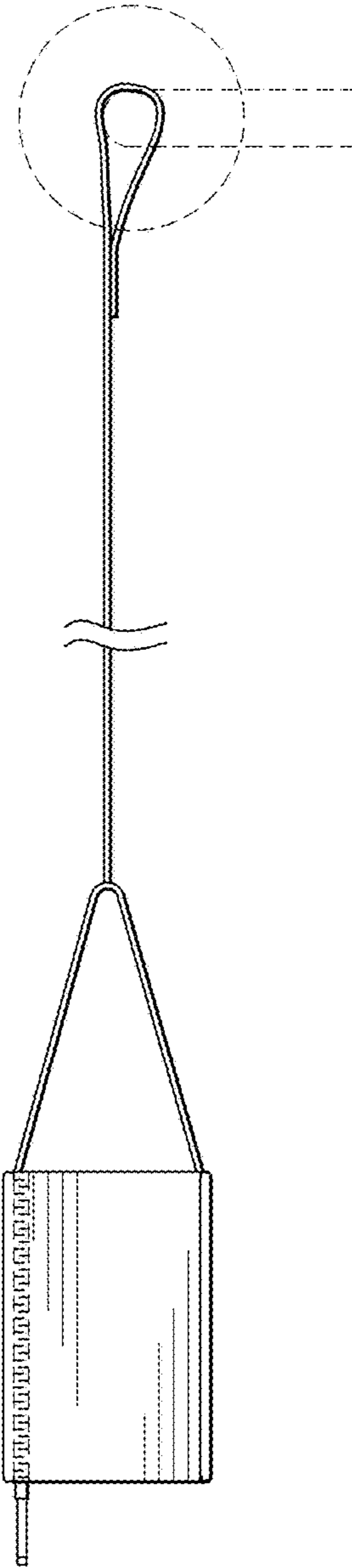


FIG. 3

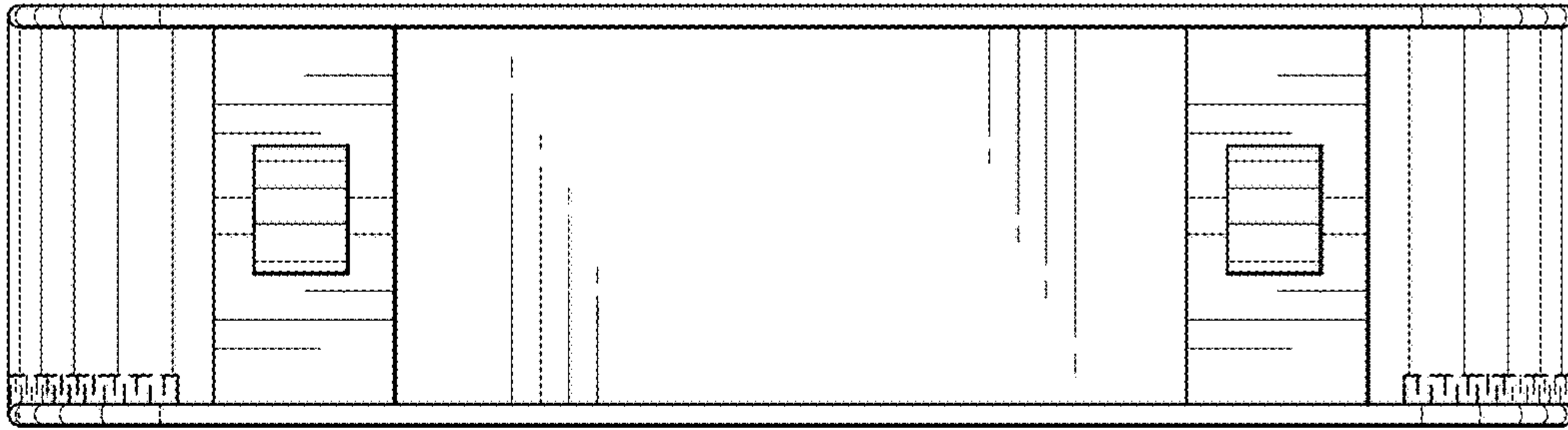


FIG. 4

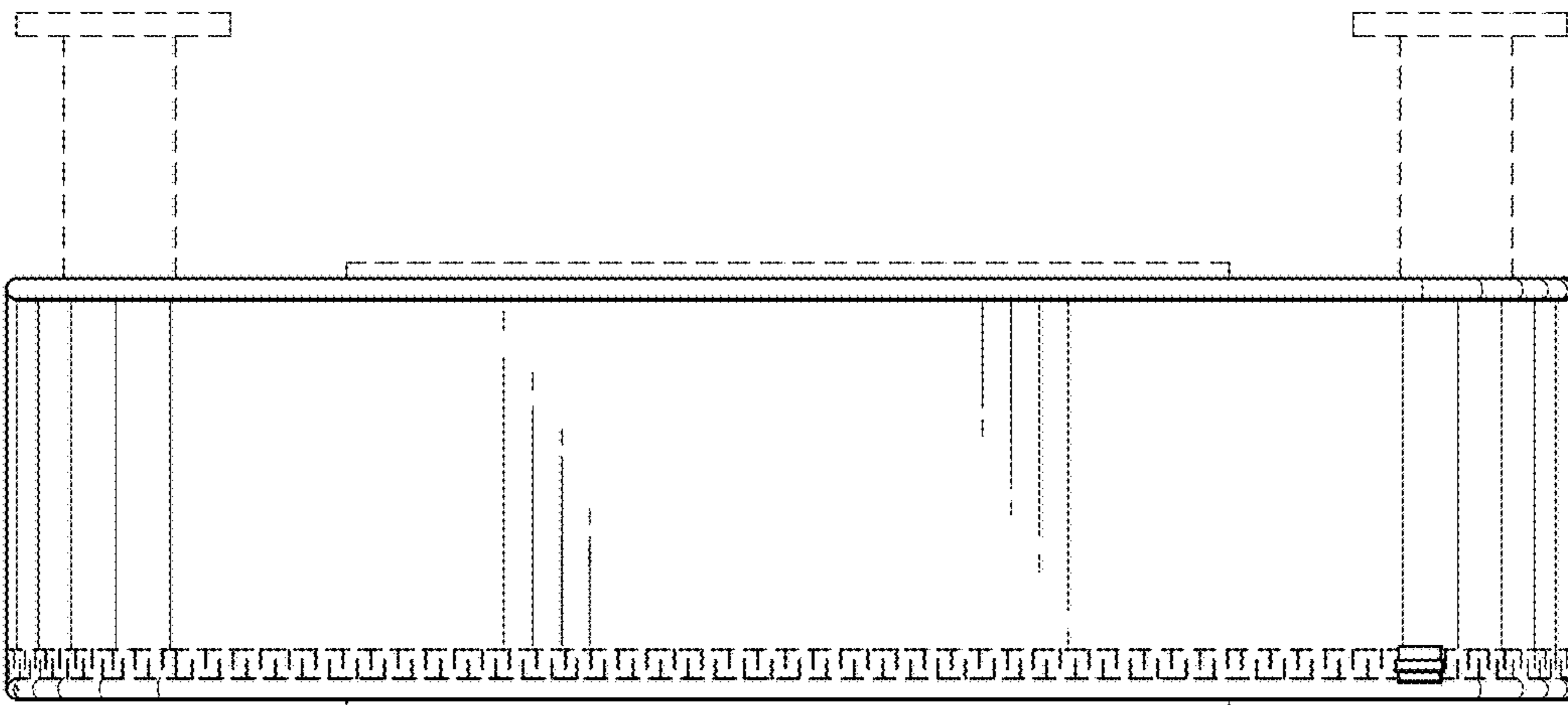


FIG. 5

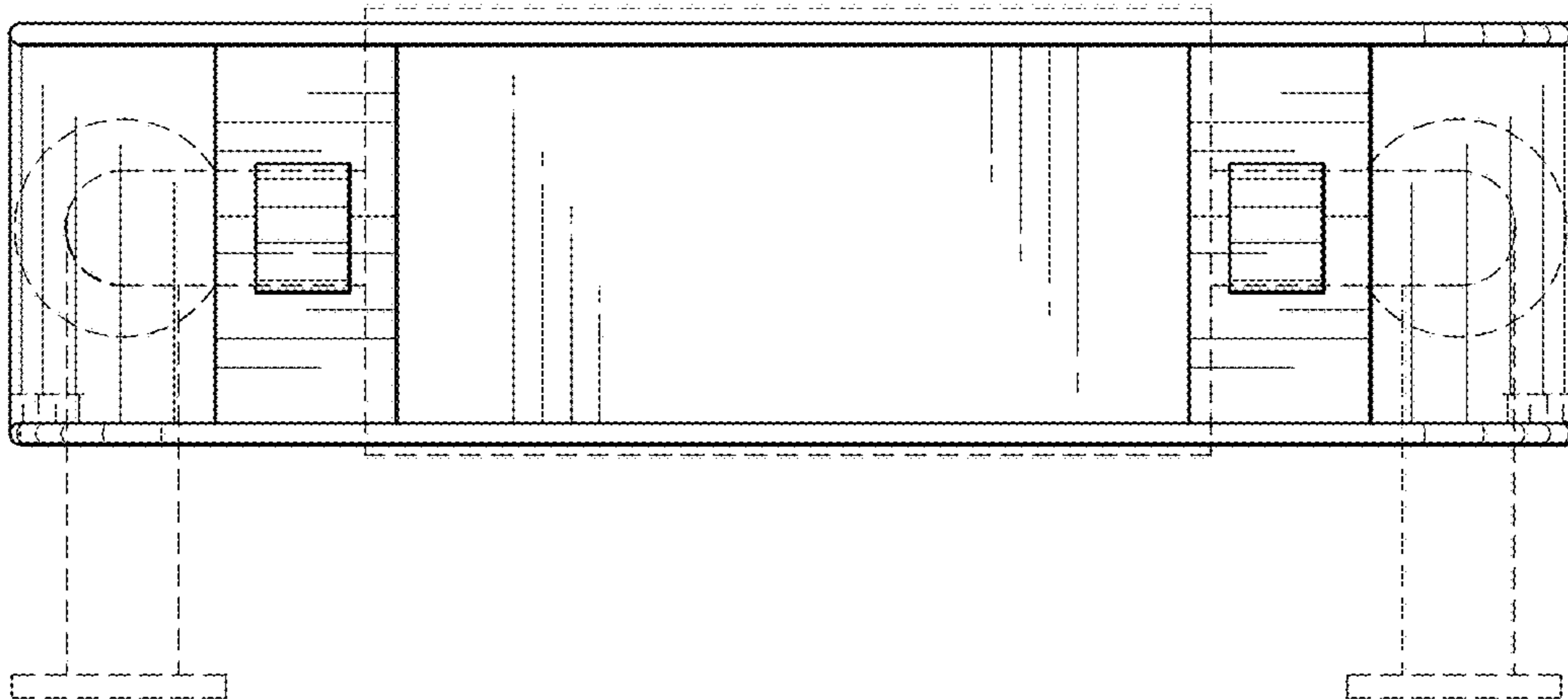


FIG. 6