



US00D785362S

(12) **United States Design Patent** (10) **Patent No.:** **US D785,362 S**
Trunsky (45) **Date of Patent:** **** May 2, 2017**

- (54) **DISPENSER FOR WASTE BAGS** 6,520,372 B2 * 2/2003 Phelps A47K 10/424
221/34
- (71) Applicant: **Crown Products, LLC**, Pompano Beach, FL (US) D522,781 S * 6/2006 Wieser D6/518
D537,667 S * 3/2007 van Haperen D6/518
D553,402 S * 10/2007 Orgna D6/518
D650,621 S 12/2011 Trunsky et al.
- (72) Inventor: **Jane C. Trunsky**, Pompano Beach, FL (US) D653,888 S * 2/2012 Velazquez D6/518
D657,984 S * 4/2012 Hansen D6/523
D666,035 S * 8/2012 Velzquez D6/518
D668,484 S * 10/2012 Velazquez D6/518
D677,085 S * 3/2013 Velazquez D6/518
- (73) Assignee: **Crown Products, LLC**, Pompano Beach, FL (US)

(**) Term: **14 Years**

(21) Appl. No.: **29/518,810**

(22) Filed: **Feb. 27, 2015**

(51) **LOC (10) Cl.** **20-02**

(52) **U.S. Cl.**
USPC **D6/518**

(58) **Field of Classification Search**
USPC D6/515-518, 553, 542-545, 567, 574;
206/225, 233, 389, 391, 77.1; 211/13.1,
211/173, 180, 45, 86.01, 87.02, 87.01;
221/26, 33, 282, 283, 14, 92, 105;
222/173, 180, 281-282; 242/570, 590;
248/309.1, 309.2, 905
CPC A47K 10/424; A47K 10/42; A47K 10/24
See application file for complete search history.

(56) **References Cited**

U.S. PATENT DOCUMENTS

- D120,783 S * 5/1940 Houghton D6/519
- D365,713 S * 1/1996 Chen D6/522
- 5,642,836 A * 7/1997 Merriweather, Jr. A47K 10/424
221/281
- 5,957,324 A * 9/1999 Gettelman A47K 10/424
221/312 R

* cited by examiner

Primary Examiner — David Muller

Assistant Examiner — Nathan Johnston

(74) *Attorney, Agent, or Firm* — William G. Giltinan; C. Douglas McDonald; Carlton Fields Jordan Burt, PA

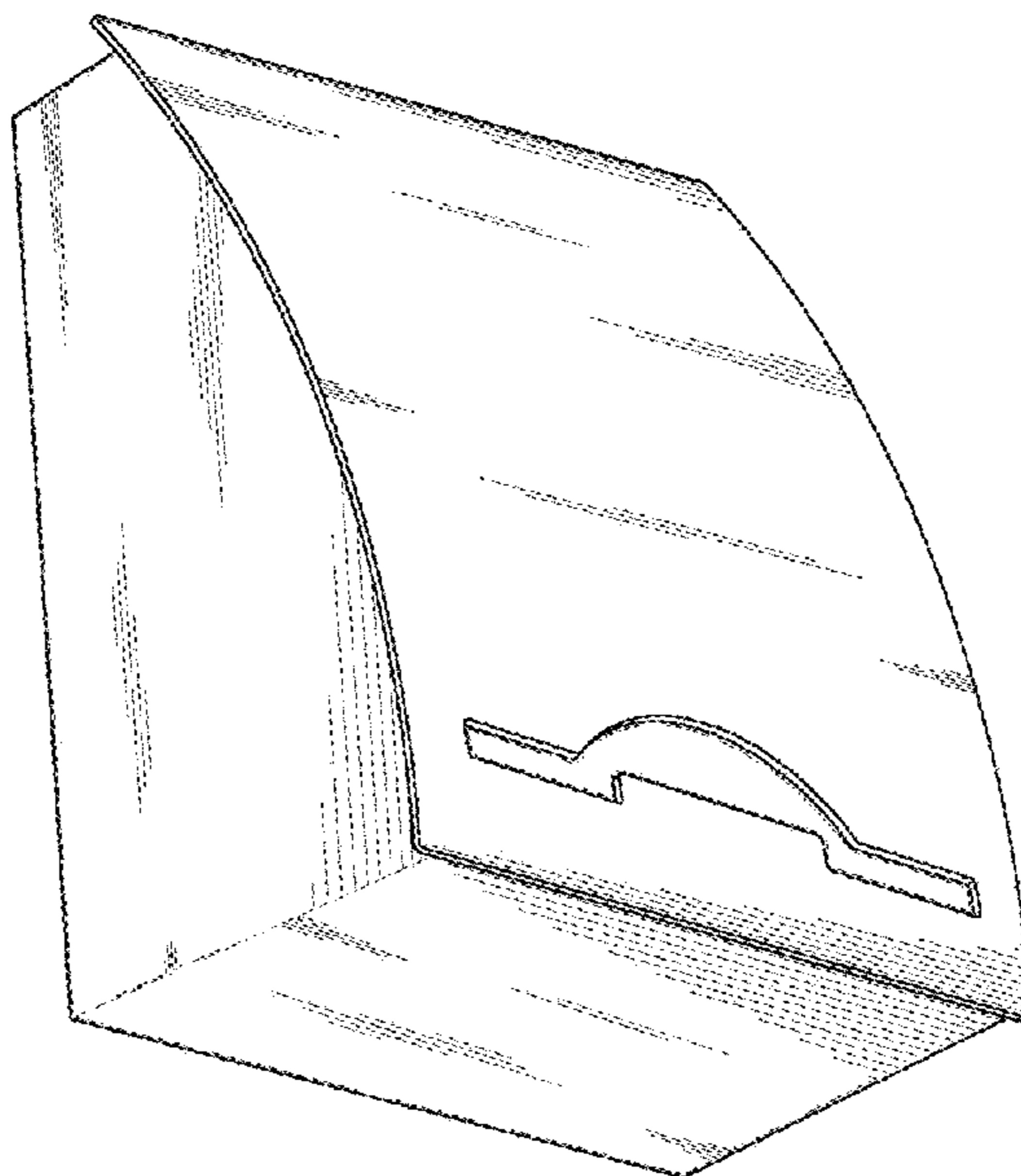
(57) **CLAIM**

The ornamental design for a dispenser for waste bags, as shown and described.

DESCRIPTION

FIG. 1 is a front elevation view of the dispenser, showing my new design;
FIG. 2 is a rear elevation view thereof;
FIG. 3 is a side elevation view thereof;
FIG. 4 is a side elevation view thereof;
FIG. 5 is a top plan view thereof;
FIG. 6 is a bottom plan view thereof;
FIG. 7 is an upper rear perspective view thereof; and,
FIG. 8 is a lower front perspective view thereof.
The dash dot lines immediately adjacent to the claimed areas in FIGS. 1 and 8 represent the boundaries of the claimed design and form no part of the claimed design.

1 Claim, 6 Drawing Sheets



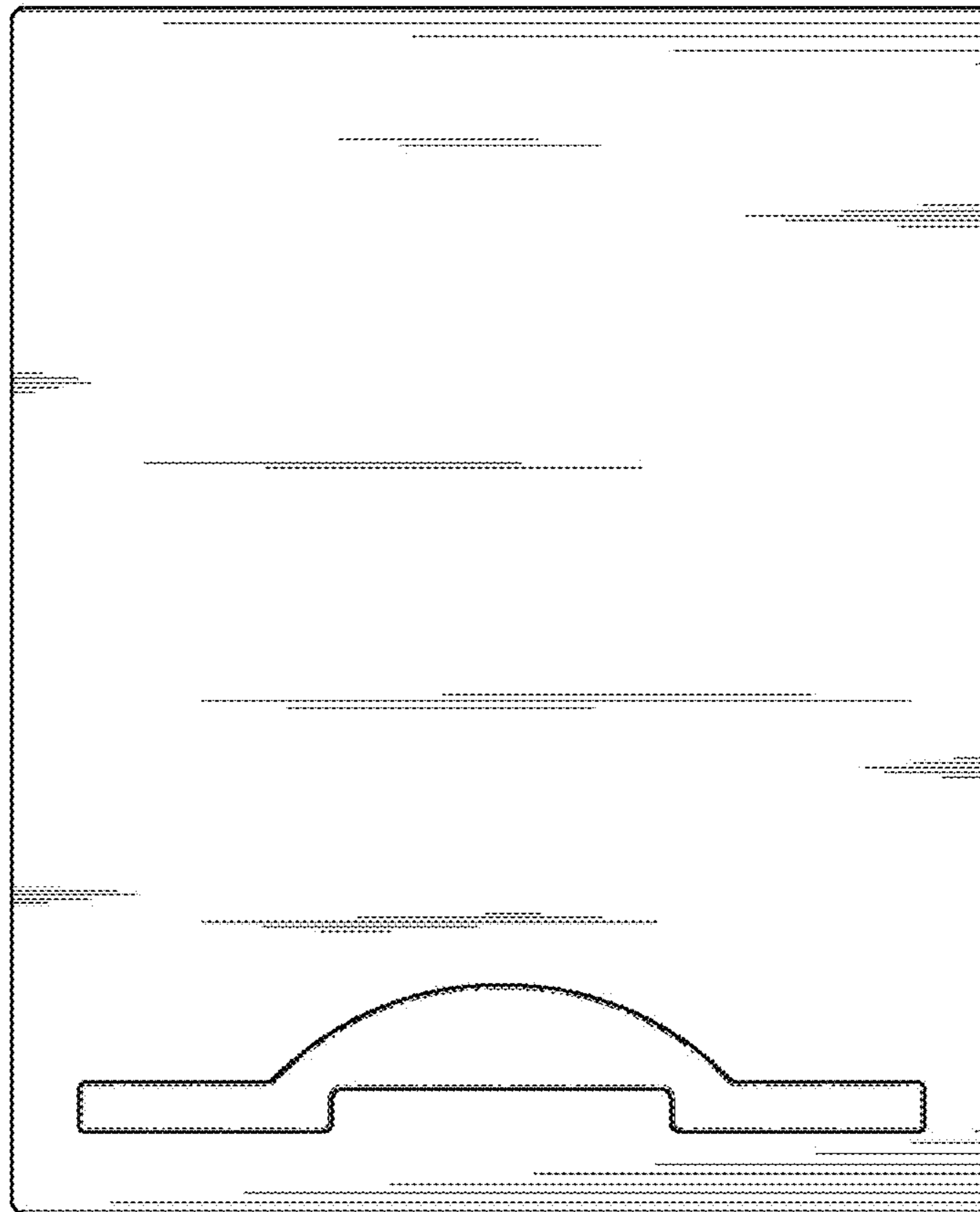


FIG. 1

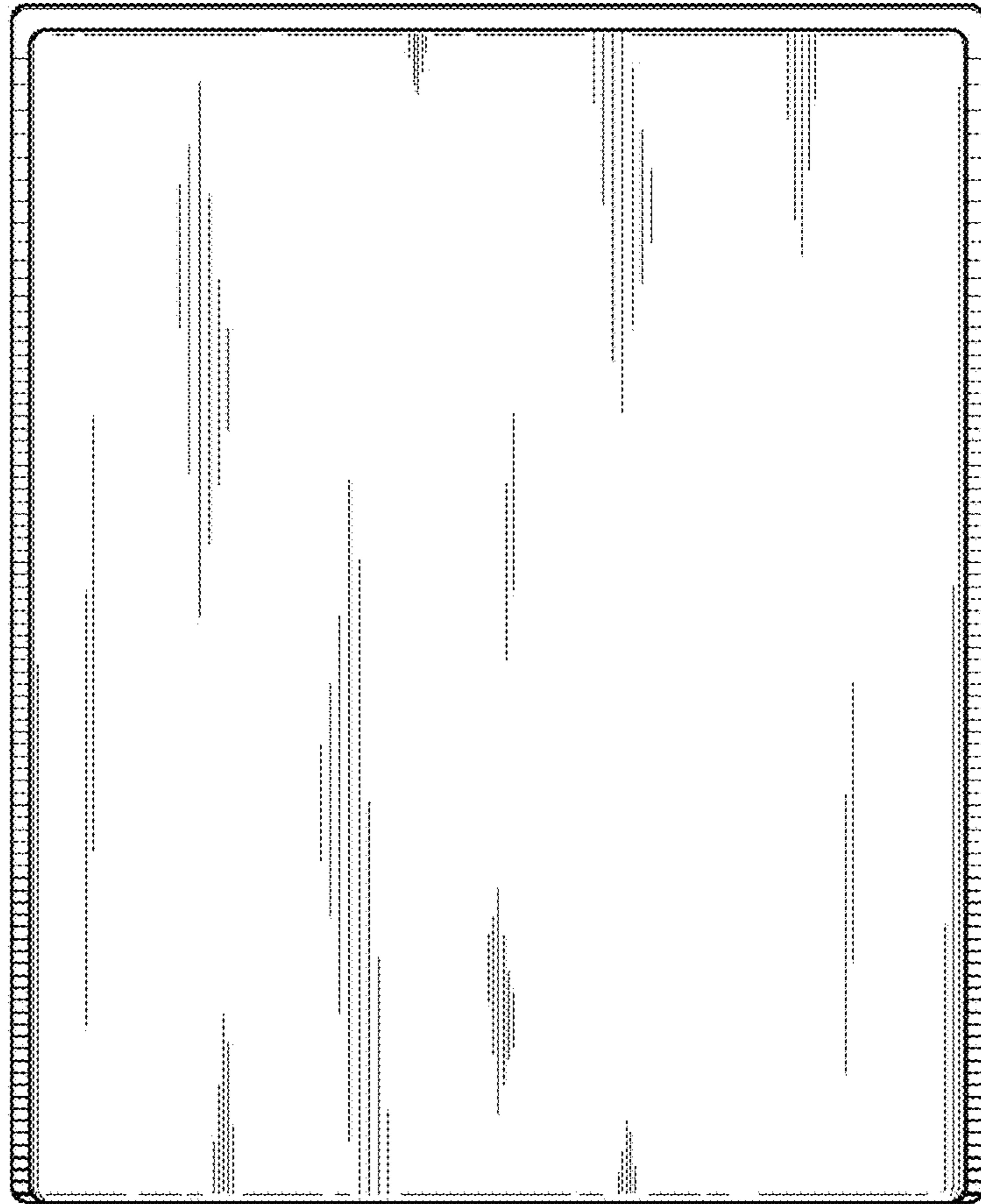


FIG. 2

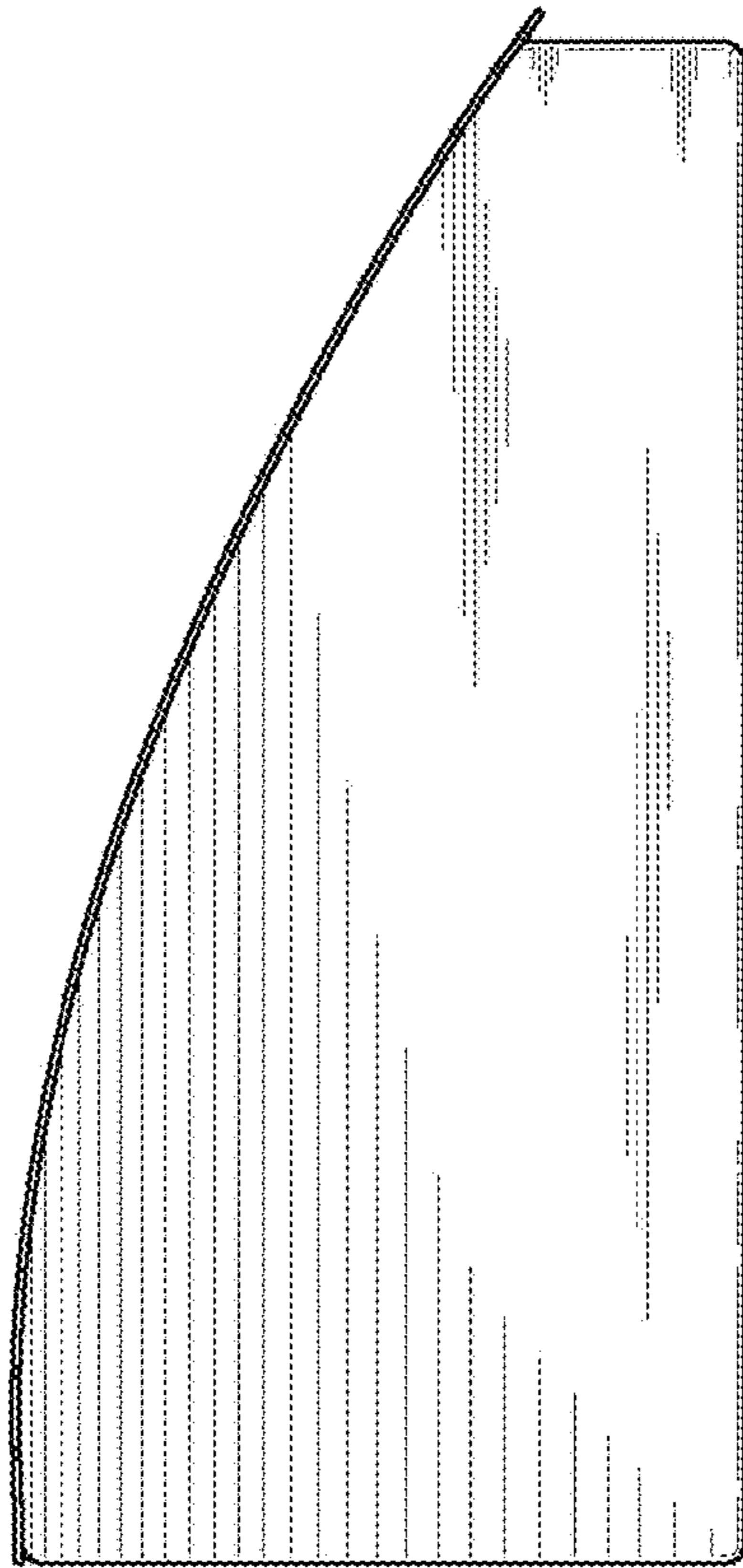


FIG. 3

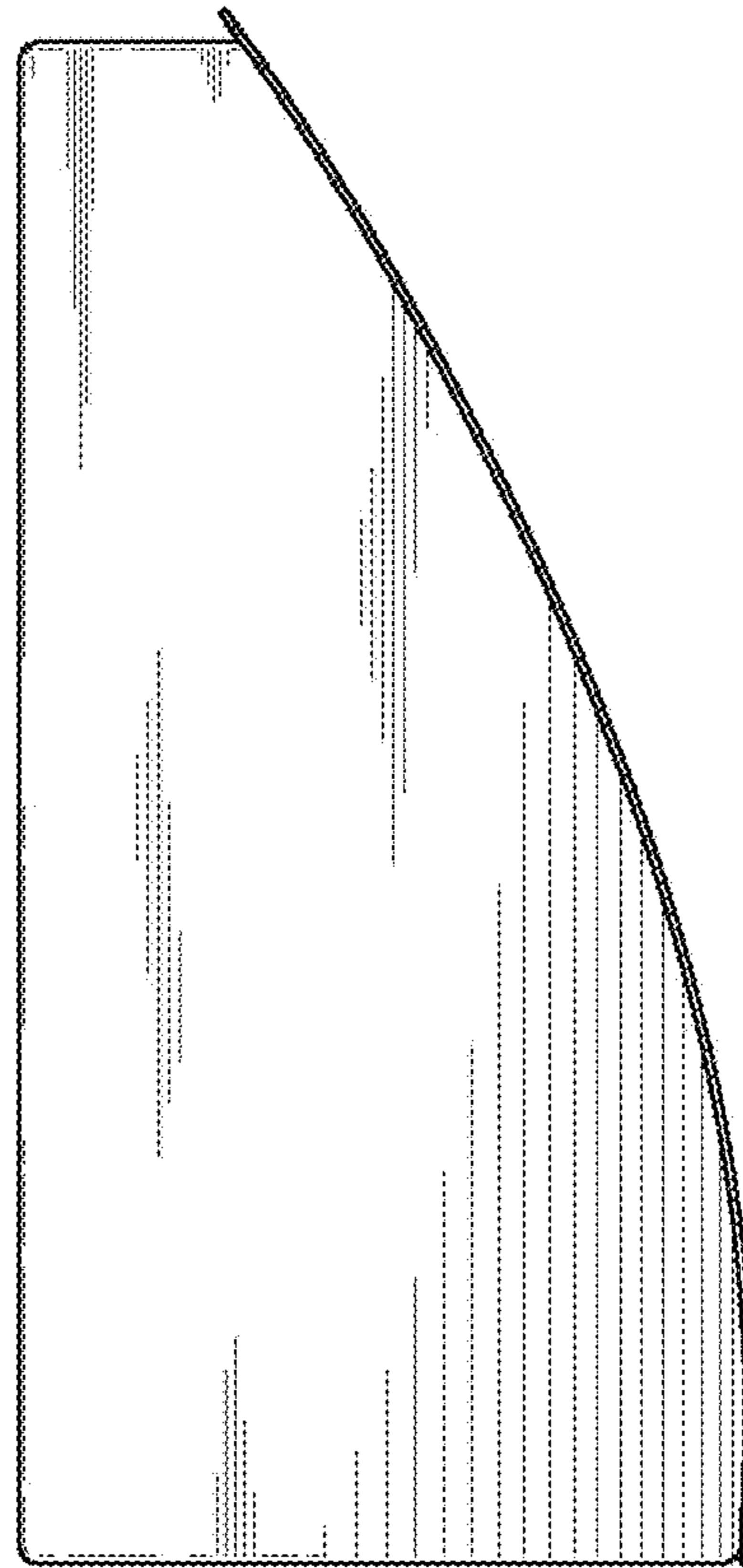


FIG. 4

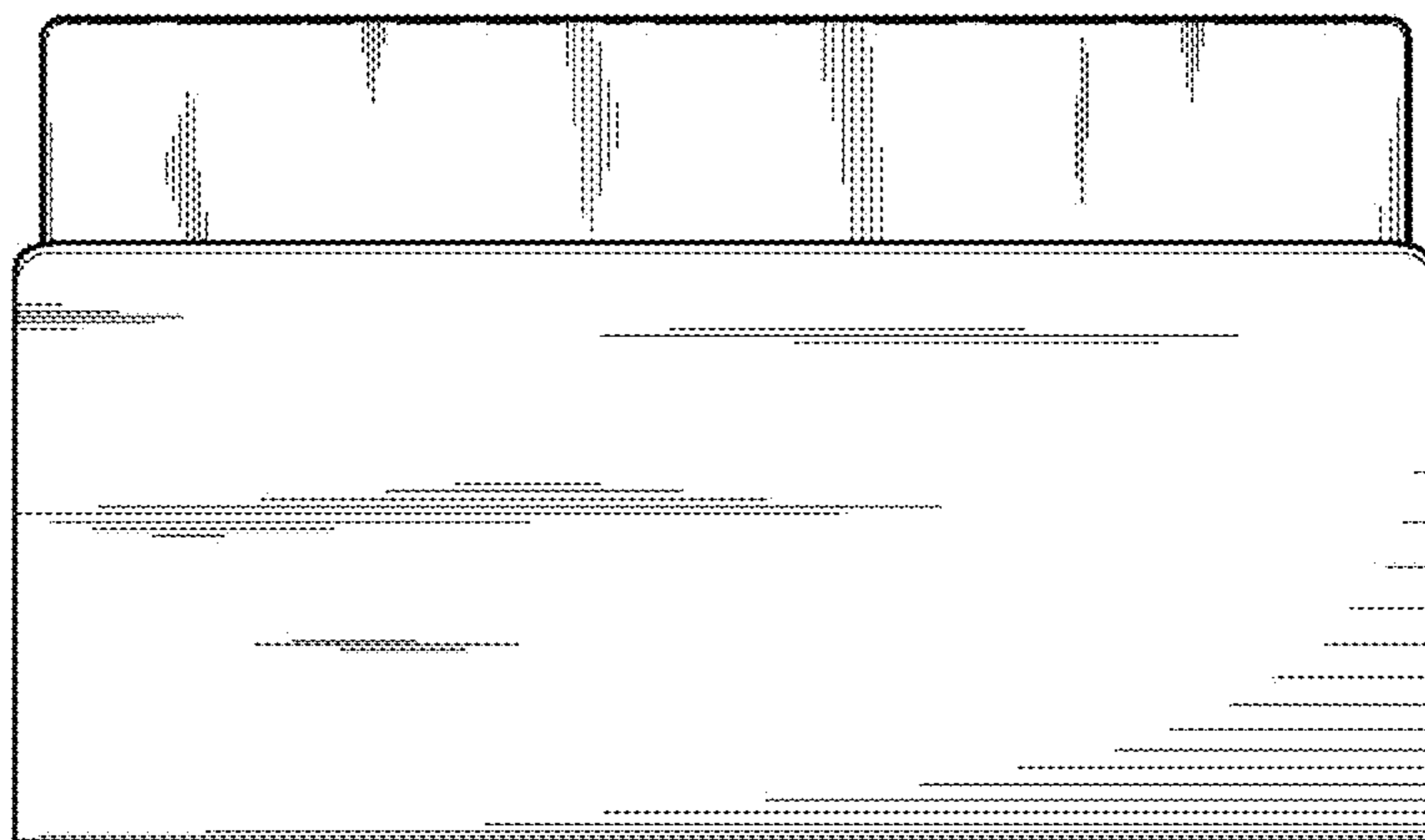


FIG. 5

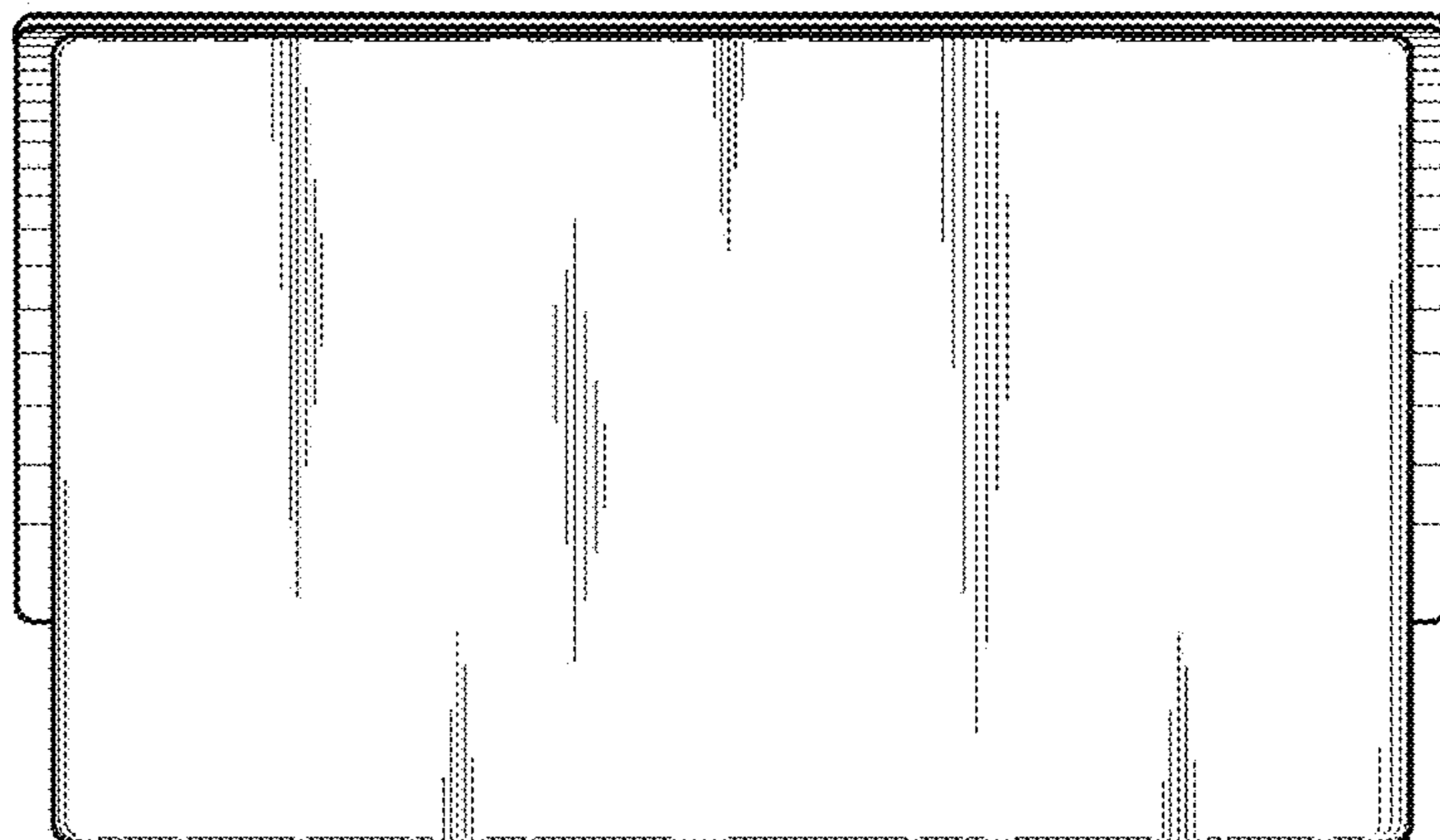


FIG. 6

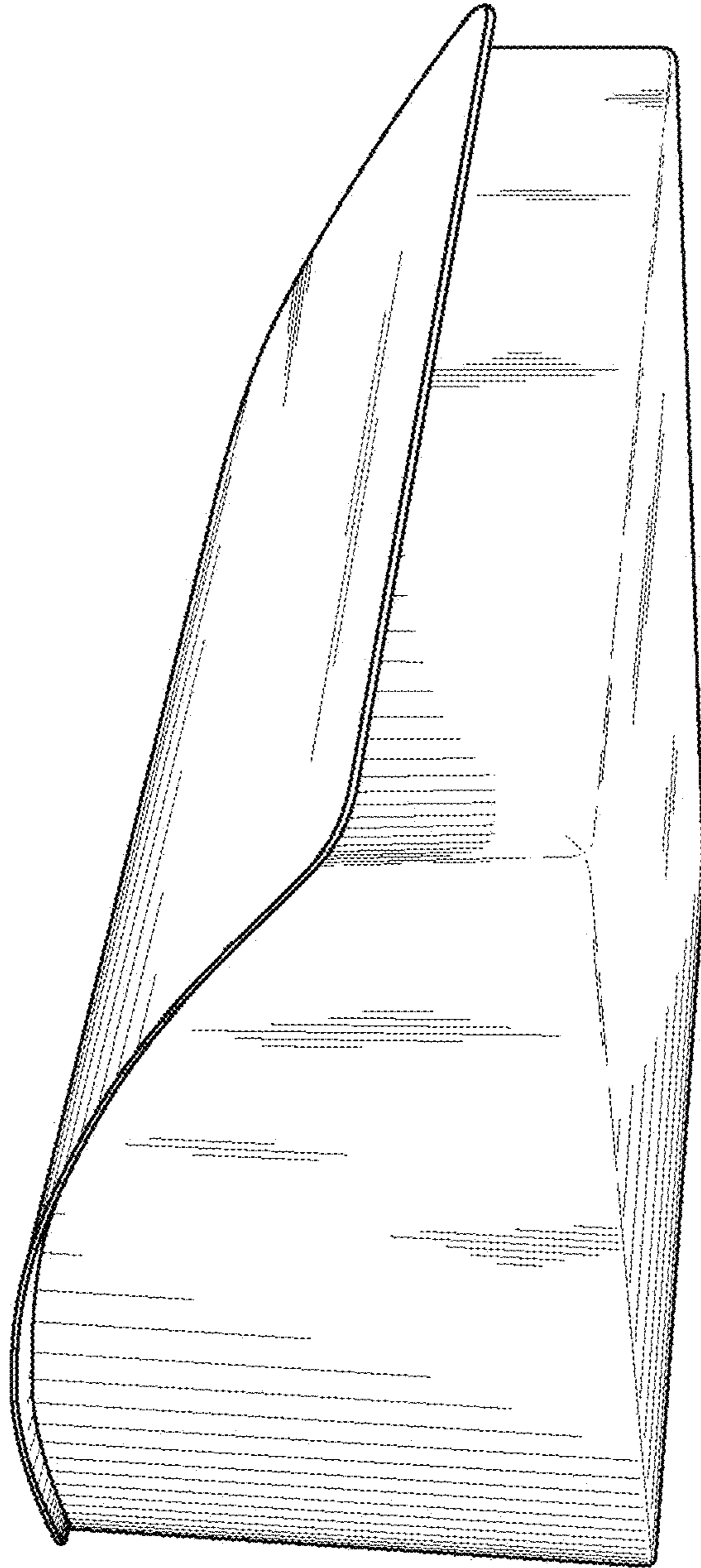


FIG. 7

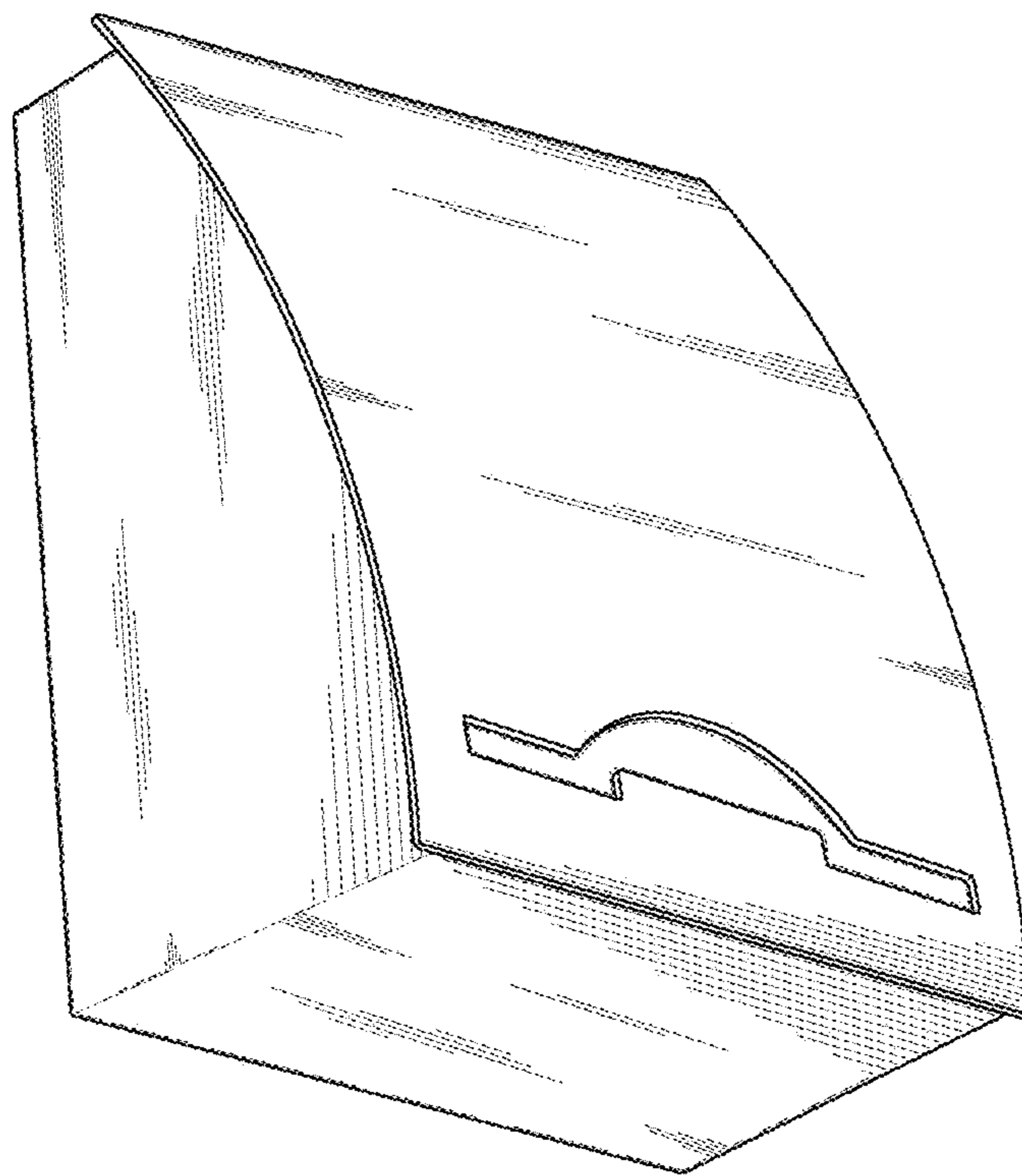


FIG. 8