



US00D785361S

(12) **United States Design Patent** (10) **Patent No.:** **US D785,361 S**
Salisbury (45) **Date of Patent:** **** May 2, 2017**

- (54) **TRAVEL TRAY**
- (71) Applicant: **Birr Ltd.**, Reading (GB)
- (72) Inventor: **Kevin Salisbury**, Reading (GB)
- (73) Assignee: **Birr Ltd.**, Reading (GB)
- (**) Term: **15 Years**
- (21) Appl. No.: **29/553,868**
- (22) Filed: **Feb. 5, 2016**
- (51) **LOC (10) Cl.** **06-06**
- (52) **U.S. Cl.**
USPC **D6/406.5**
- (58) **Field of Classification Search**
USPC D6/406.1, 406.2, 406.3, 406.4, 406.5,
D6/406.6, 310, 339, 419, 420, 449;
D7/550.1, 554.3; D12/426.1; D19/86, 92
CPC A47B 23/001; A47F 3/00; A47G 23/0608
See application file for complete search history.

- D492,133 S * 6/2004 Richter D19/91
- D514,057 S * 1/2006 Borunda D12/426.1
- D539,569 S * 4/2007 Lewis D6/406.6
- D588,373 S * 3/2009 Rushton D6/406.6
- D589,721 S * 4/2009 Chang D6/655.21
- D591,074 S * 4/2009 Powers D6/406.6
- D624,922 S * 10/2010 Hui D14/447
- D668,472 S * 10/2012 Wong D6/406.5
- D679,520 S * 4/2013 Wong D6/406.5
- D679,915 S * 4/2013 Sturmeay D6/339
- D696,052 S * 12/2013 Del Cid D6/682.2

* cited by examiner

Primary Examiner — Kelley Donnelly

(74) *Attorney, Agent, or Firm* — Myers Wolin, LLC

(57) **CLAIM**

The ornamental design for a travel tray, as shown and described.

DESCRIPTION

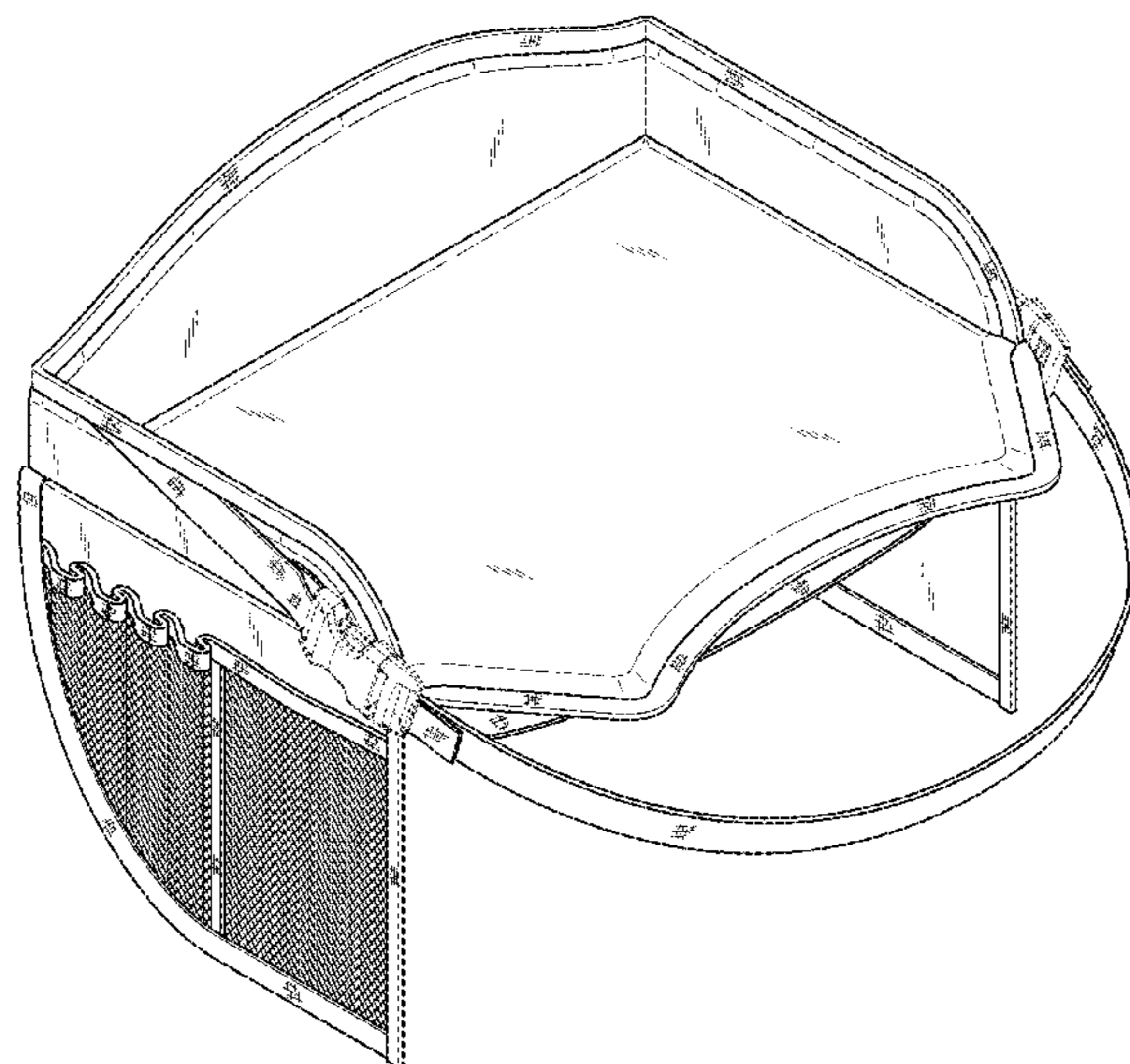
FIG. 1 is a perspective view of one embodiment of a travel tray showing my new design;
 FIG. 2 is a front elevation view thereof;
 FIG. 3 is a rear elevation view thereof;
 FIG. 4 is a right side elevation view thereof, the left side elevation view being a mirror-image thereof;
 FIG. 5 is a top view thereof;
 FIG. 6 is a bottom view thereof;
 FIG. 7 is a perspective view of an alternative embodiment of a travel tray showing my new design;
 FIG. 8 is a front elevation view thereof;
 FIG. 9 is a rear elevation view thereof;
 FIG. 10 is a right side elevation view thereof, the left side elevation view being a mirror-image thereof;
 FIG. 11 is a top view thereof; and,
 FIG. 12 is a bottom view thereof.
 The broken lines are for illustrative purposes only and form no part of the claimed design.

(56) **References Cited**

U.S. PATENT DOCUMENTS

- D152,153 S * 12/1948 Harvey D6/349
- 4,123,852 A * 11/1978 Zimowski G09B 19/00
108/49
- D282,218 S * 1/1986 Catelli D21/522
- D287,741 S * 1/1987 Taylor D21/522
- D289,247 S * 4/1987 Wang D6/406.6
- D319,358 S * 8/1991 Giugiaro D6/406.1
- D355,787 S * 2/1995 Rae D6/406.6
- D359,862 S * 7/1995 Rousch D12/419
- D371,921 S * 7/1996 Anzalone D6/656.16
- D390,718 S * 2/1998 Howland D6/406.6
- D404,219 S * 1/1999 Patterson D6/406.5
- D413,741 S * 9/1999 Haynes D6/406.4
- 6,044,758 A * 4/2000 Drake A47B 23/001
100/43
- D437,506 S * 2/2001 Lechman D6/655.16
- D443,434 S * 6/2001 Tinsley D6/406.3

1 Claim, 8 Drawing Sheets



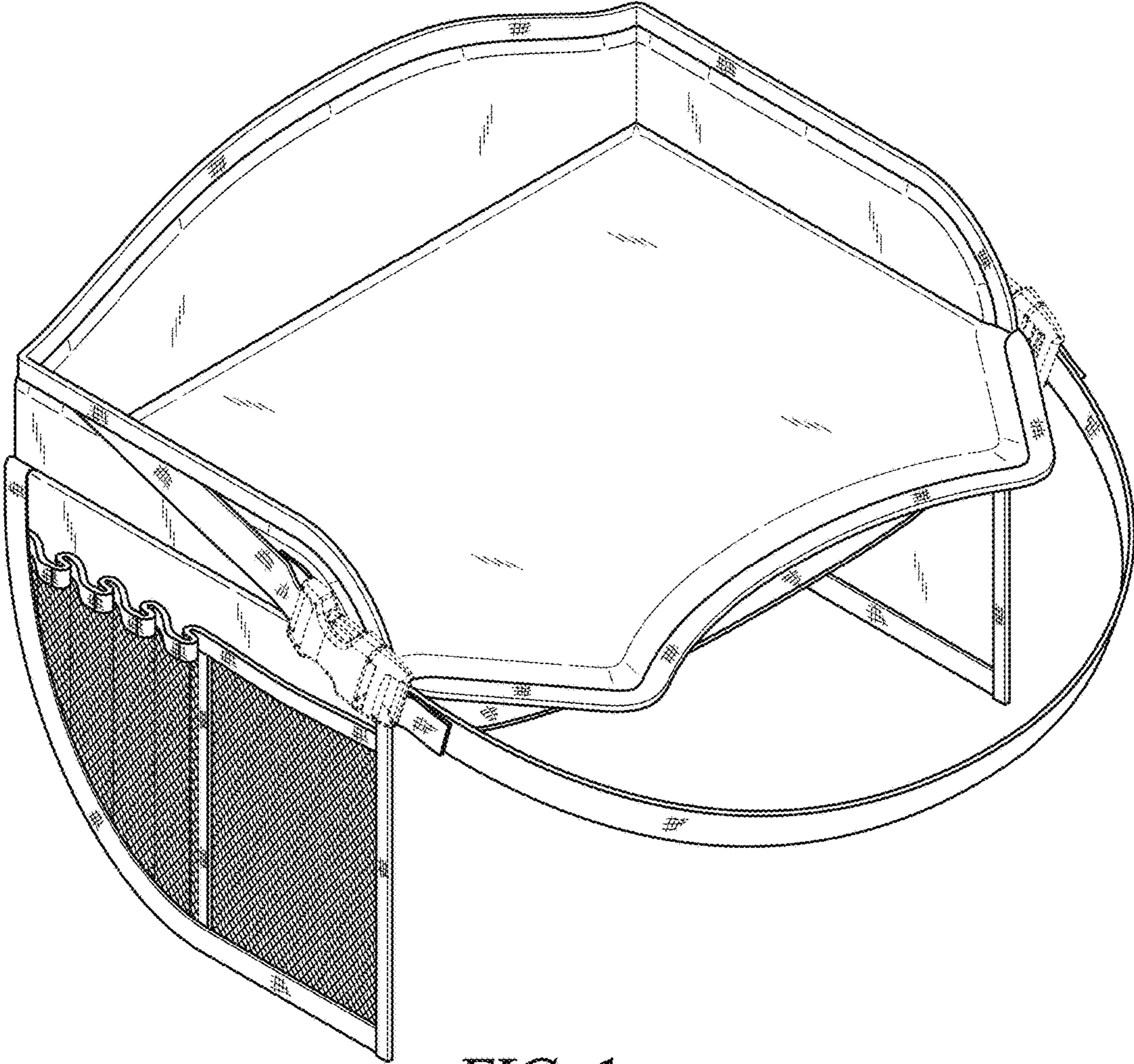


FIG. 1

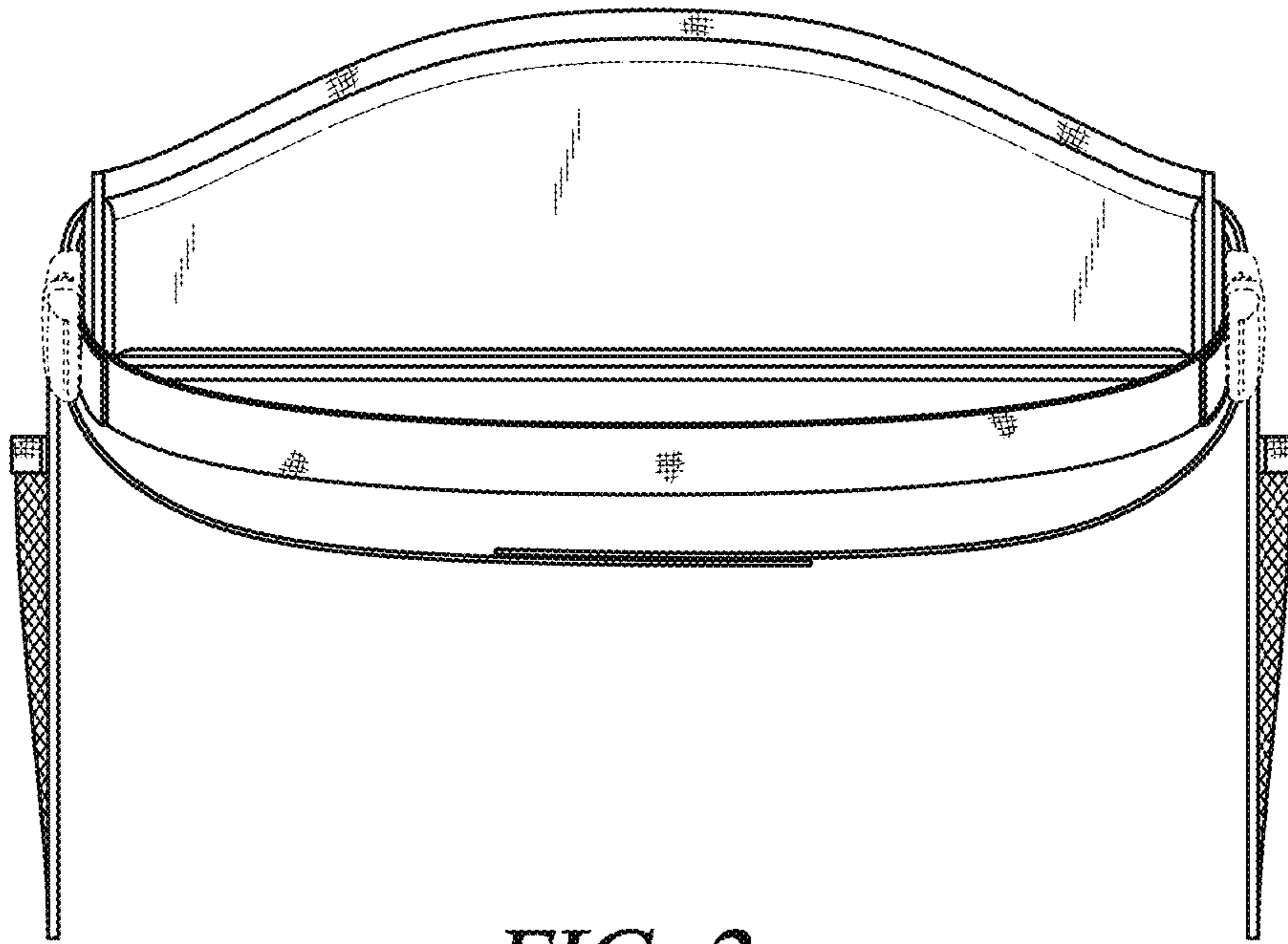


FIG. 2

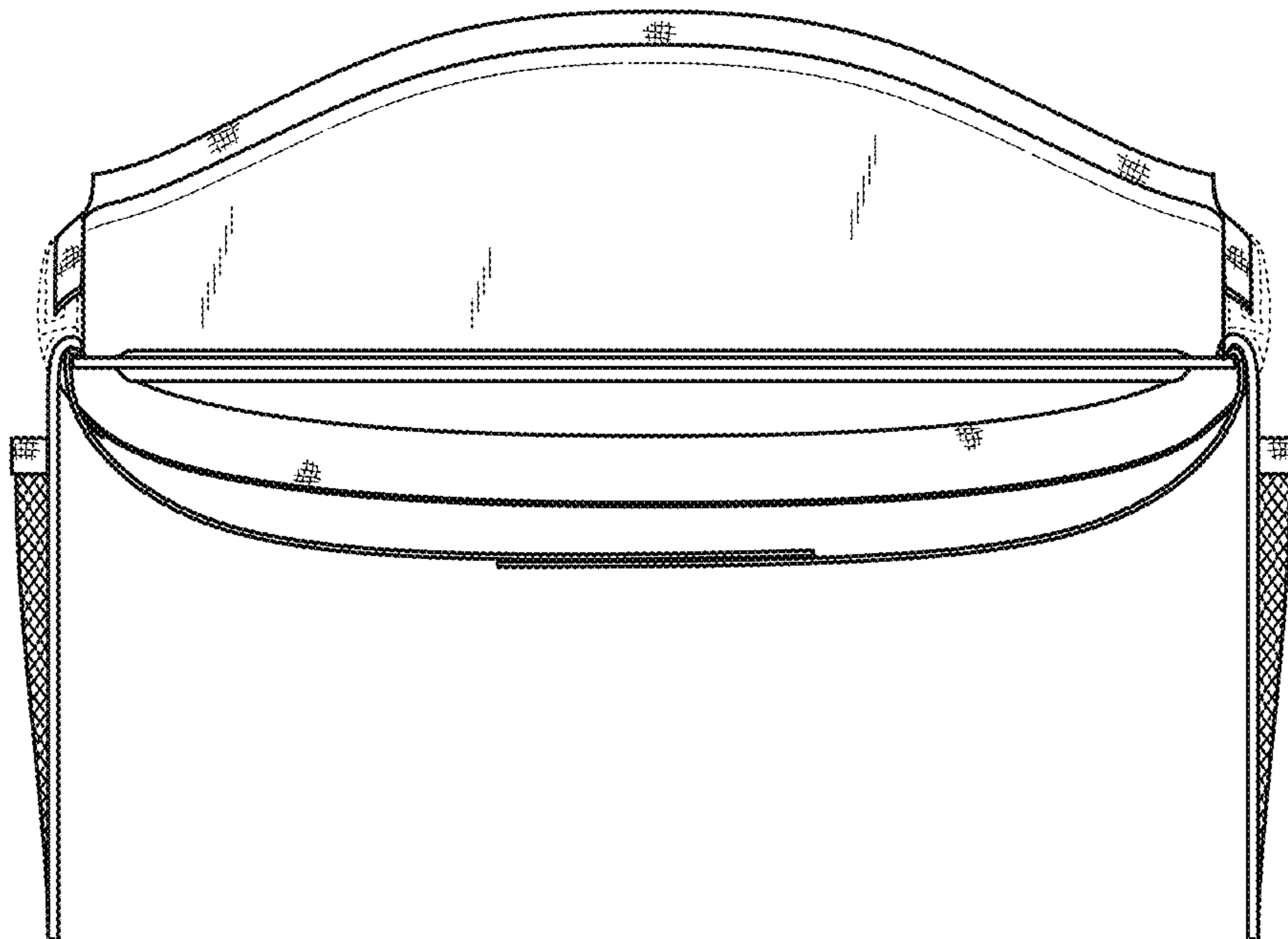


FIG. 3

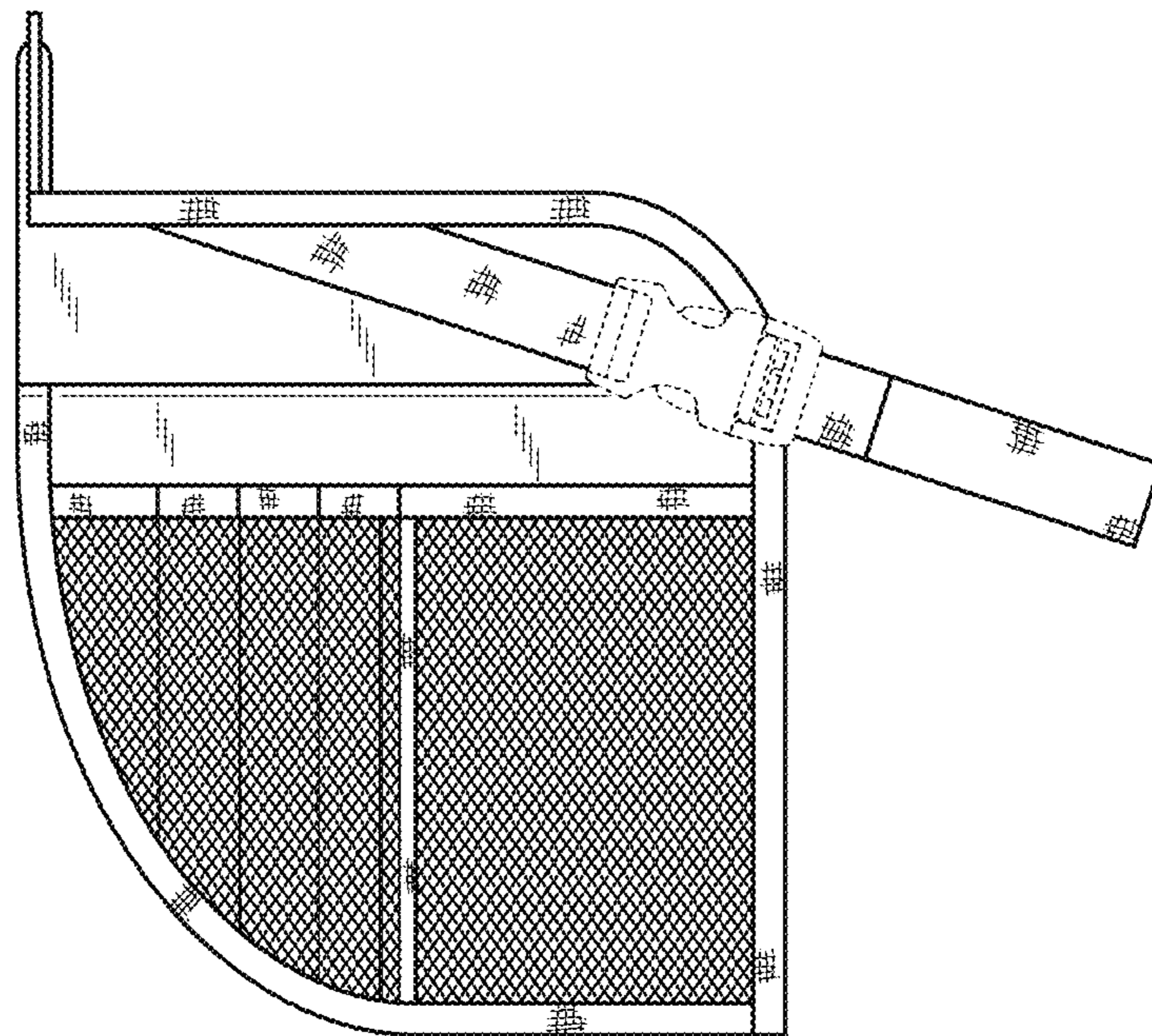


FIG. 4

FIG. 5

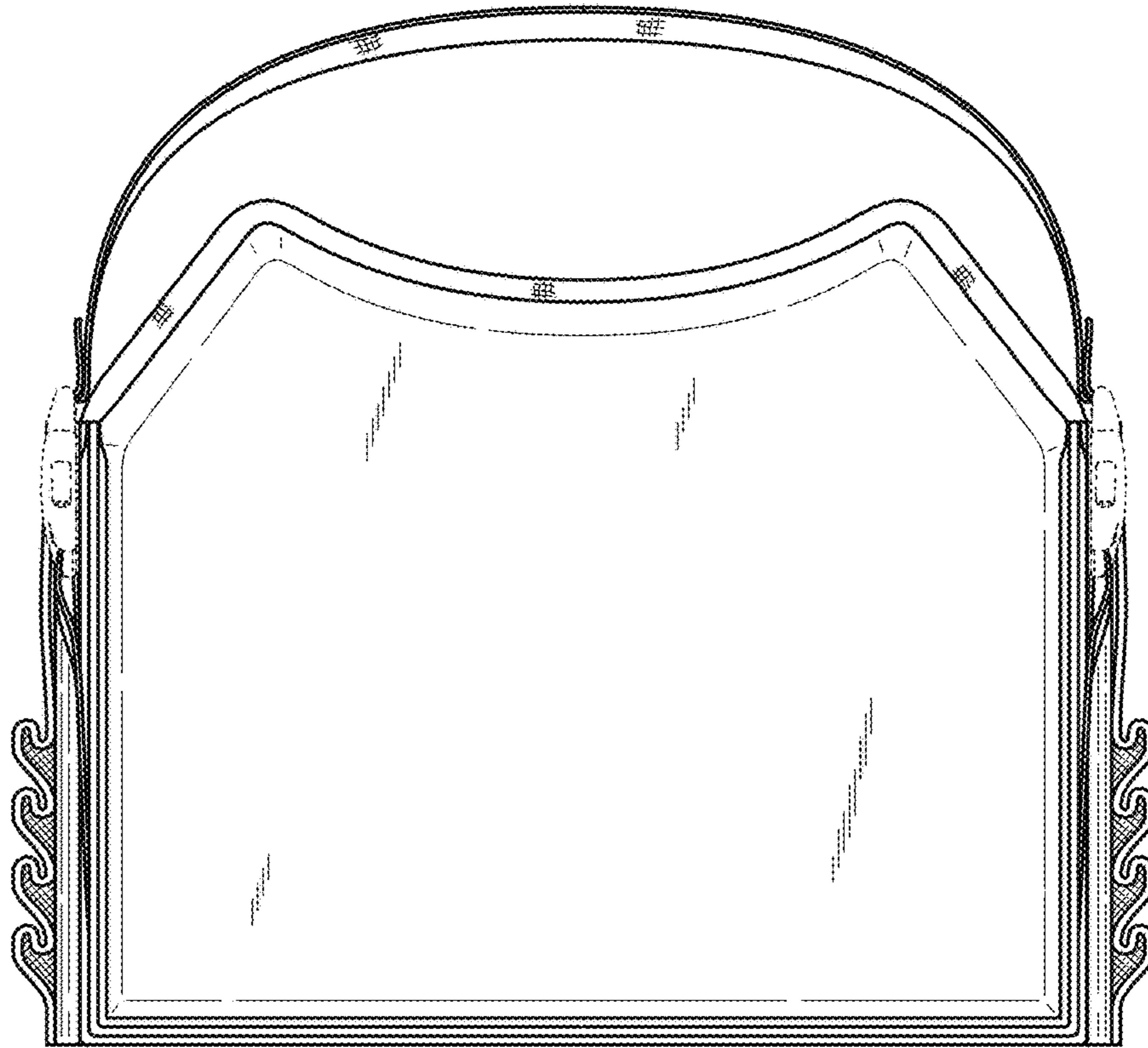
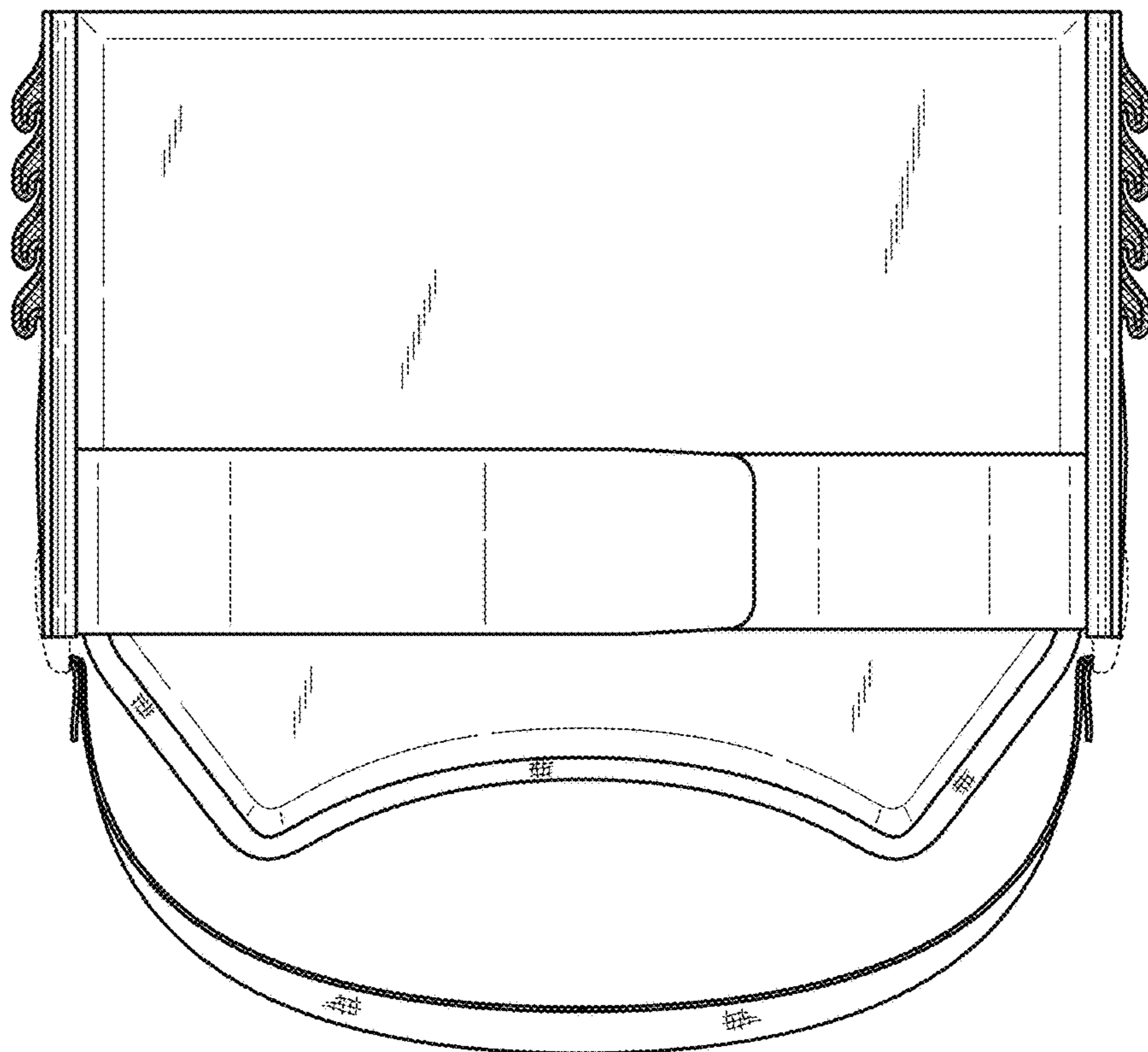


FIG. 6



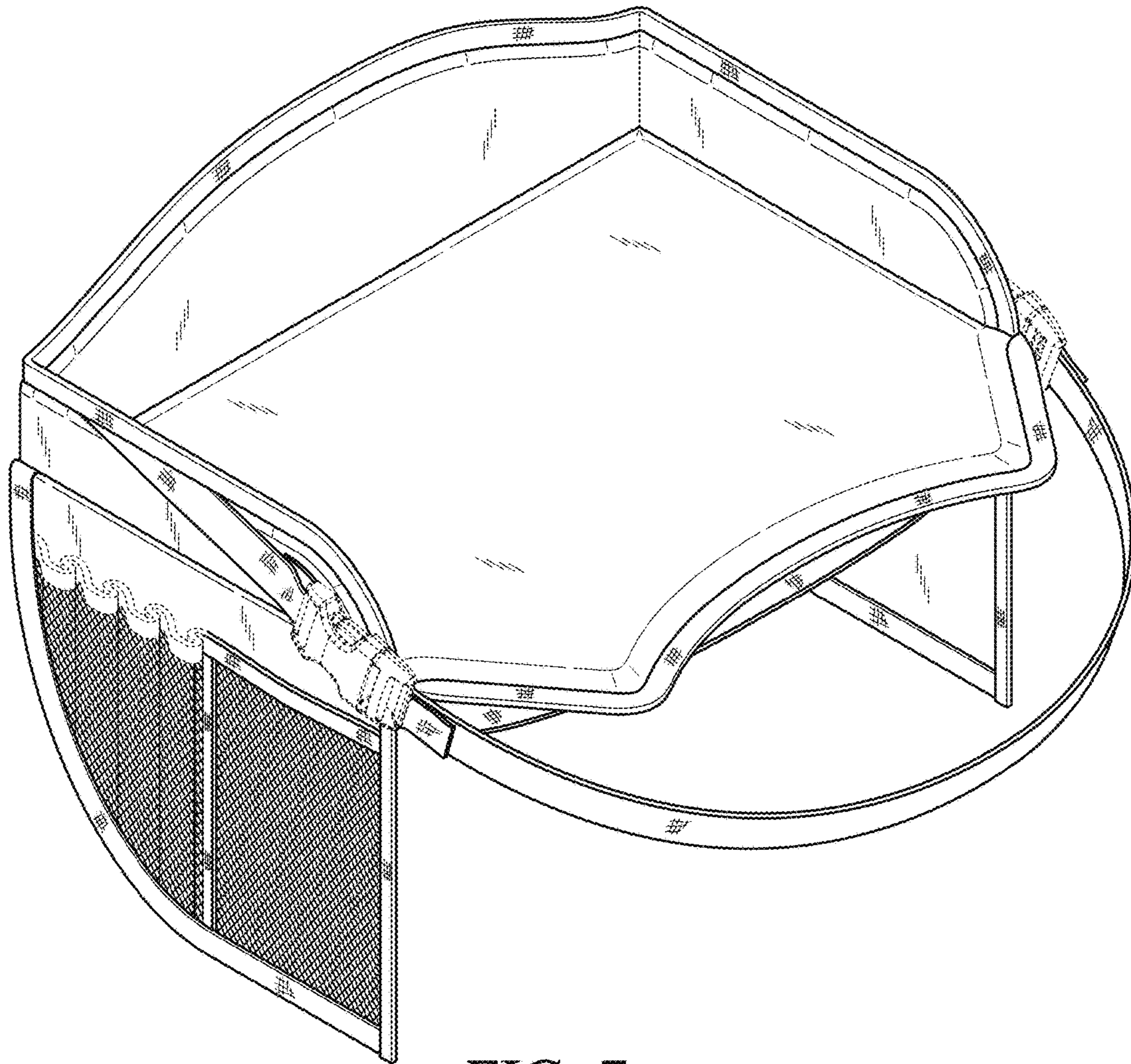


FIG. 7

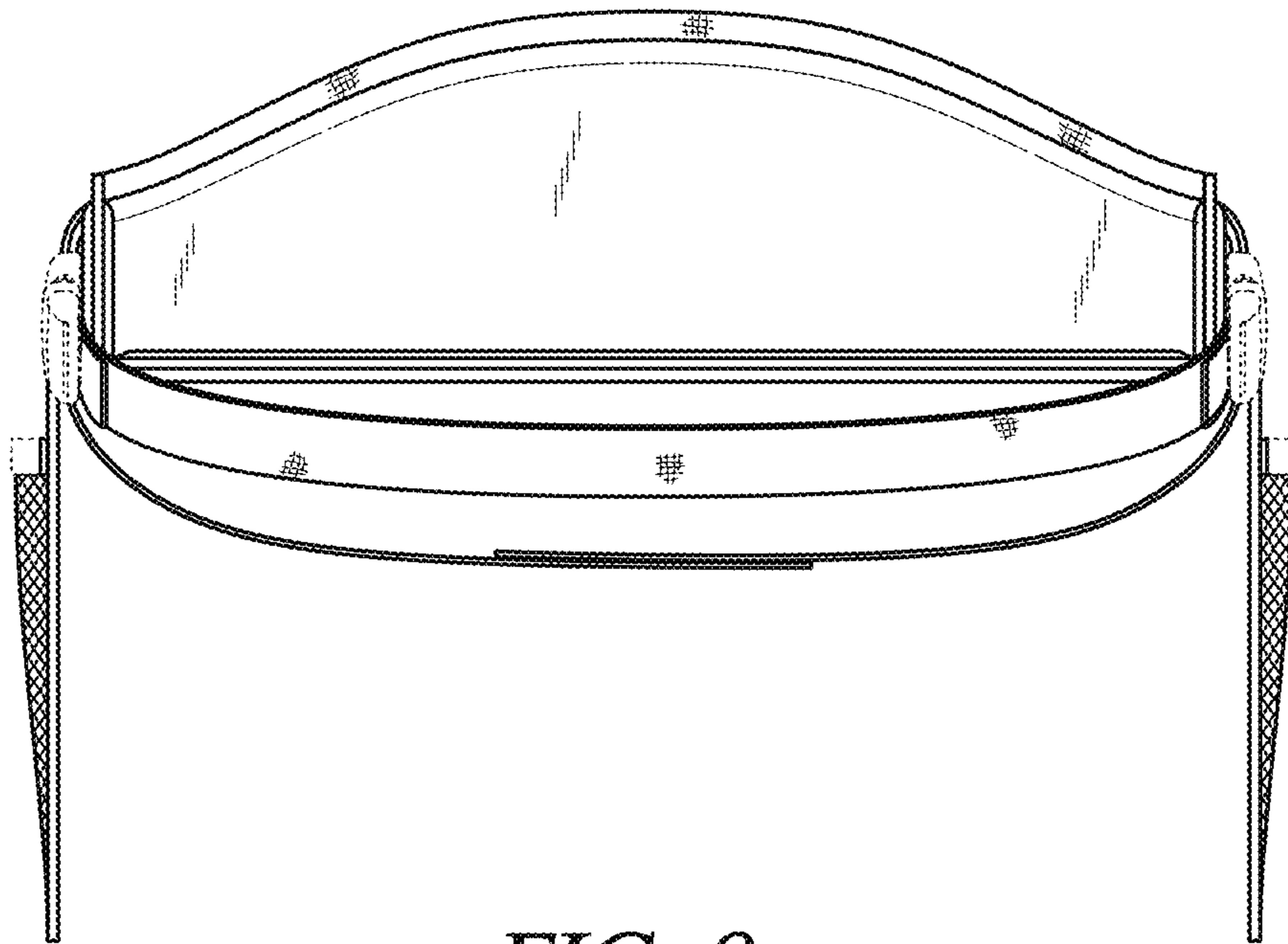


FIG. 8

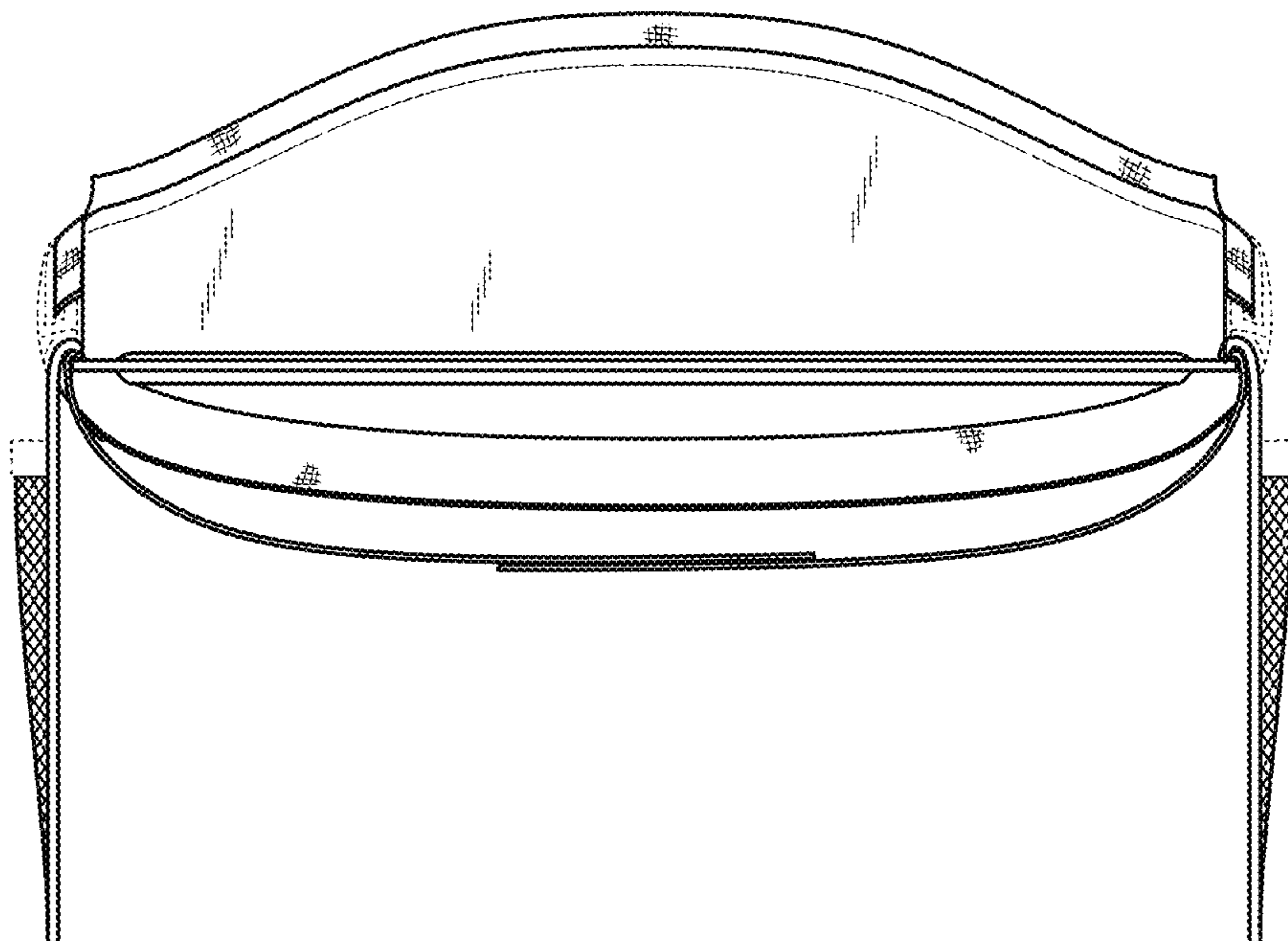


FIG. 9

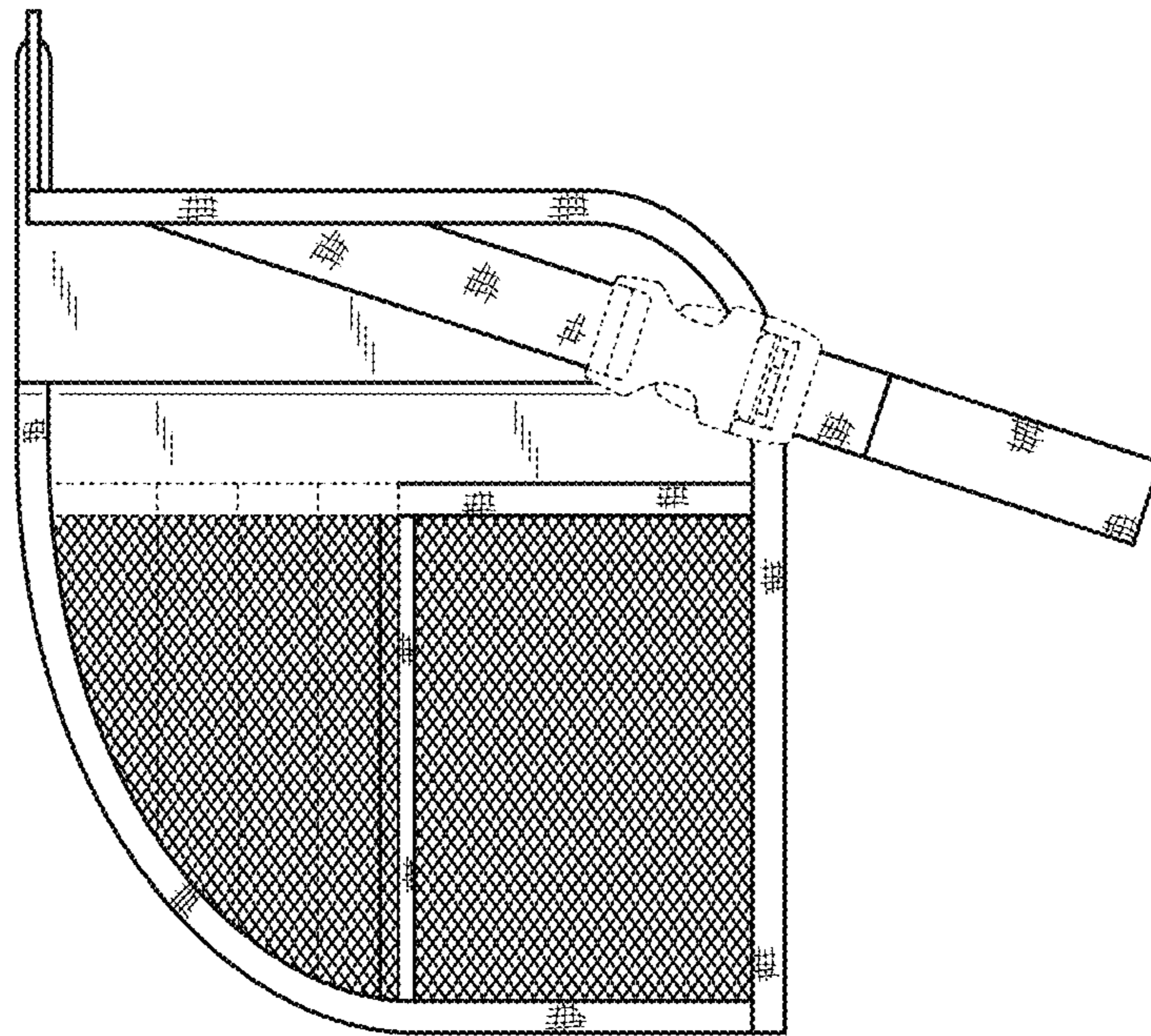


FIG. 10

FIG. 11

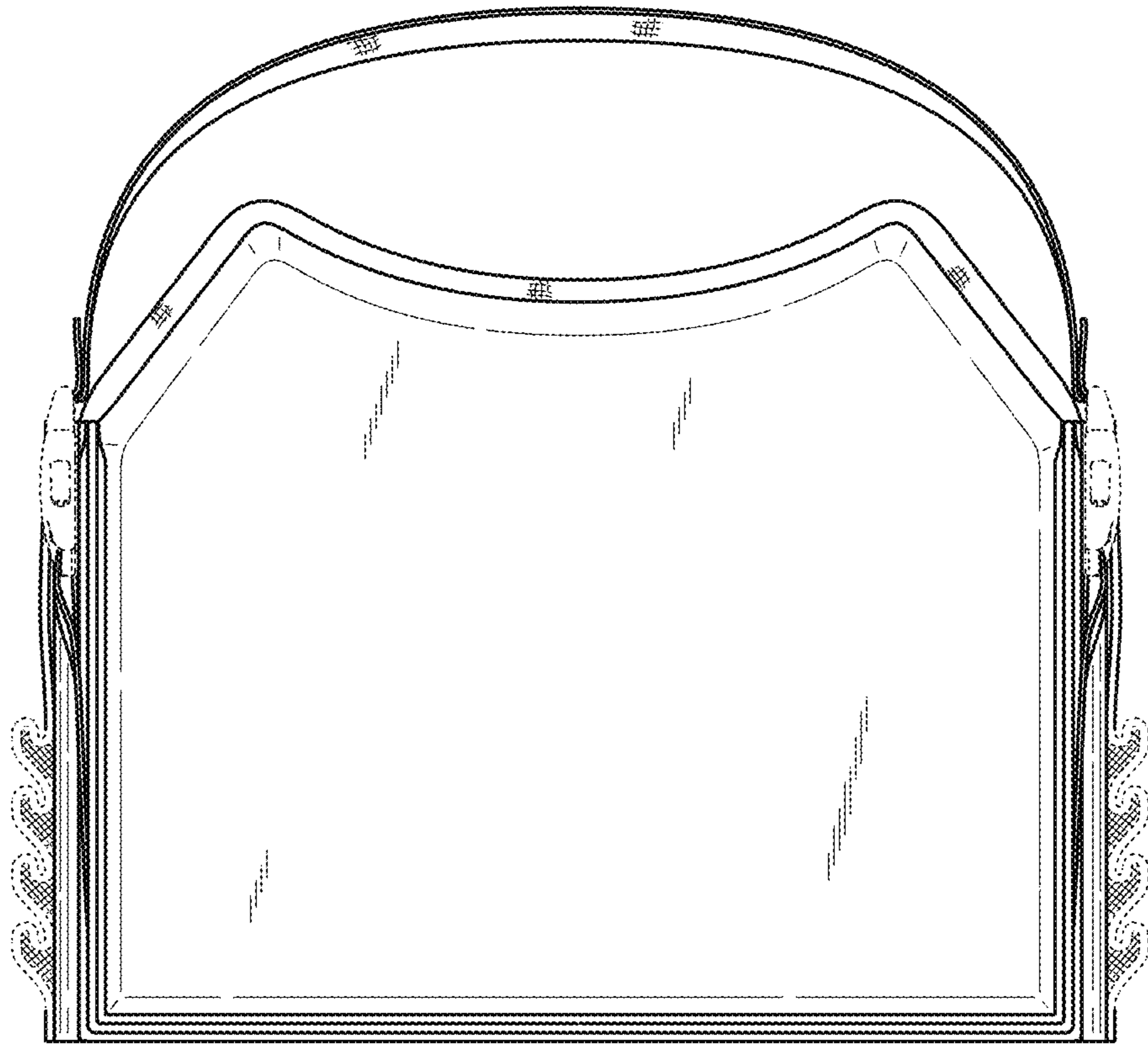


FIG. 12

